



US00D858661S

(12) **United States Design Patent** (10) **Patent No.:** **US D858,661 S**
Wang (45) **Date of Patent:** **** Sep. 3, 2019**

(54) **FINGER RESISTANCE BAND**
(71) Applicant: **Fang Wang**, Gansu (CN)
(72) Inventor: **Fang Wang**, Gansu (CN)
(**) Term: **15 Years**
(21) Appl. No.: **29/595,610**
(22) Filed: **Mar. 1, 2017**
(51) **LOC (12) Cl.** **21-02**
(52) **U.S. Cl.**
USPC **D21/684**
(58) **Field of Classification Search**
USPC 482/47, 45, 49, 48, 44, 121, 105, 122,
482/128, 112, 141, 51, 66, 70, 126, 46,
482/107, 8, 901, 139, 108, 82, 106, 594,
482/124, 131, 11, 93, 97; D21/684, 692,
D21/662, 679, 693, 714, 682, 807, 532;
411/56, 58; D8/10, 303; D24/211, 188
CPC . A63B 23/16; A63B 21/4035; A63B 21/0004;
A63B 21/4017; A63B 21/072; A63B
21/4019
See application file for complete search history.

6,817,967 B1 * 11/2004 Ott A63B 21/0004
482/47
D580,000 S * 11/2008 Ffrench D21/781
D715,449 S * 10/2014 Wang D24/188
8,944,942 B2 * 2/2015 Oravec A63B 59/0014
473/518
D725,726 S * 3/2015 Gomez D21/684
D742,956 S * 11/2015 Klinger D16/243
9,333,105 B2 * 5/2016 Lane A61F 5/0118
9,414,986 B2 * 8/2016 Scire A61H 1/0285
D776,210 S * 1/2017 Abdourazak D21/684
D793,495 S * 8/2017 Ffrench D21/684
D809,614 S * 2/2018 Chiu D21/684
(Continued)

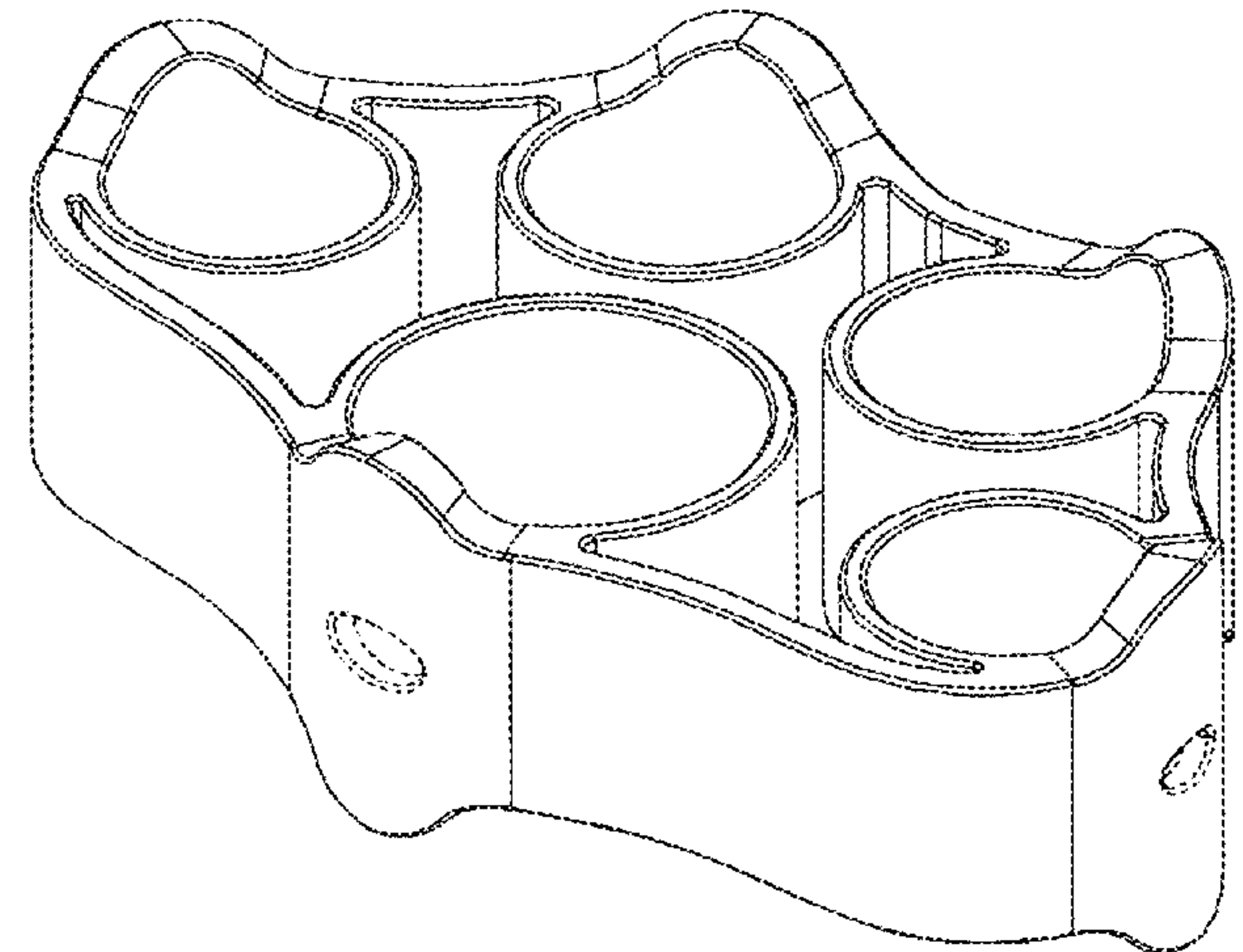
(56) **References Cited**
U.S. PATENT DOCUMENTS
3,612,521 A * 10/1971 Wendeborn A63B 23/16
482/48
4,679,799 A * 7/1987 Coletti A63B 65/00
2/161.1
4,828,249 A * 5/1989 Keating A63B 23/16
482/121
5,062,625 A * 11/1991 Vonk A63B 21/0004
482/48
D325,611 S * 4/1992 Lewis D21/684
D416,594 S * 11/1999 Sardina D21/684
6,179,751 B1 * 1/2001 Clears A63B 21/0004
482/44
6,228,001 B1 * 5/2001 Johnson A63B 21/028
482/44
D488,843 S * 4/2004 Brown D21/684

OTHER PUBLICATIONS
Finger Stretcher by KINGSBOM dated Feb. 28, 2018. Found online
[May 31, 2018] https://www.amazon.com/dp/B079KSSGHB/ref=sspa_dk_0?psc=1#customerReviews.
Primary Examiner — Ryan Harvey
(74) *Attorney, Agent, or Firm* — Justin Lampel

(57) **CLAIM**
The ornamental design for a finger resistance band, as shown
and described.

DESCRIPTION
FIG. 1 is a perspective view of a finger resistance band
showing my new design;
FIG. 2 is a front elevational view thereof;
FIG. 3 is a rear elevational view thereof;
FIG. 4 is a right side view thereof;
FIG. 5 is a left side view thereof;
FIG. 6 is a bottom plan view thereof; and,
FIG. 7 is a top plan view thereof.
The broken line showing of portions of the finger resistance
band forms no part of the claim.

1 Claim, 4 Drawing Sheets



(56)

References Cited

U.S. PATENT DOCUMENTS

2006/0178247	A1 *	8/2006	Liu	A63B 21/0004 482/44
2006/0247102	A1 *	11/2006	Kupferman	A63B 21/0004 482/44
2007/0060448	A1 *	3/2007	Silagy	A63B 21/0004 482/49
2007/0129216	A1 *	6/2007	Ott	A63B 21/0004 482/48
2007/0270248	A1 *	11/2007	Ffrench	A63B 69/0059 473/450
2009/0156367	A1 *	6/2009	Harris, Jr.	A63B 21/0004 482/49
2011/0281688	A1 *	11/2011	Harris, Jr.	A63B 21/0428 482/44
2012/0065027	A1 *	3/2012	Zachary	A63B 21/0004 482/48
2014/0135179	A1 *	5/2014	Trent	A63B 21/4025 482/47

* cited by examiner

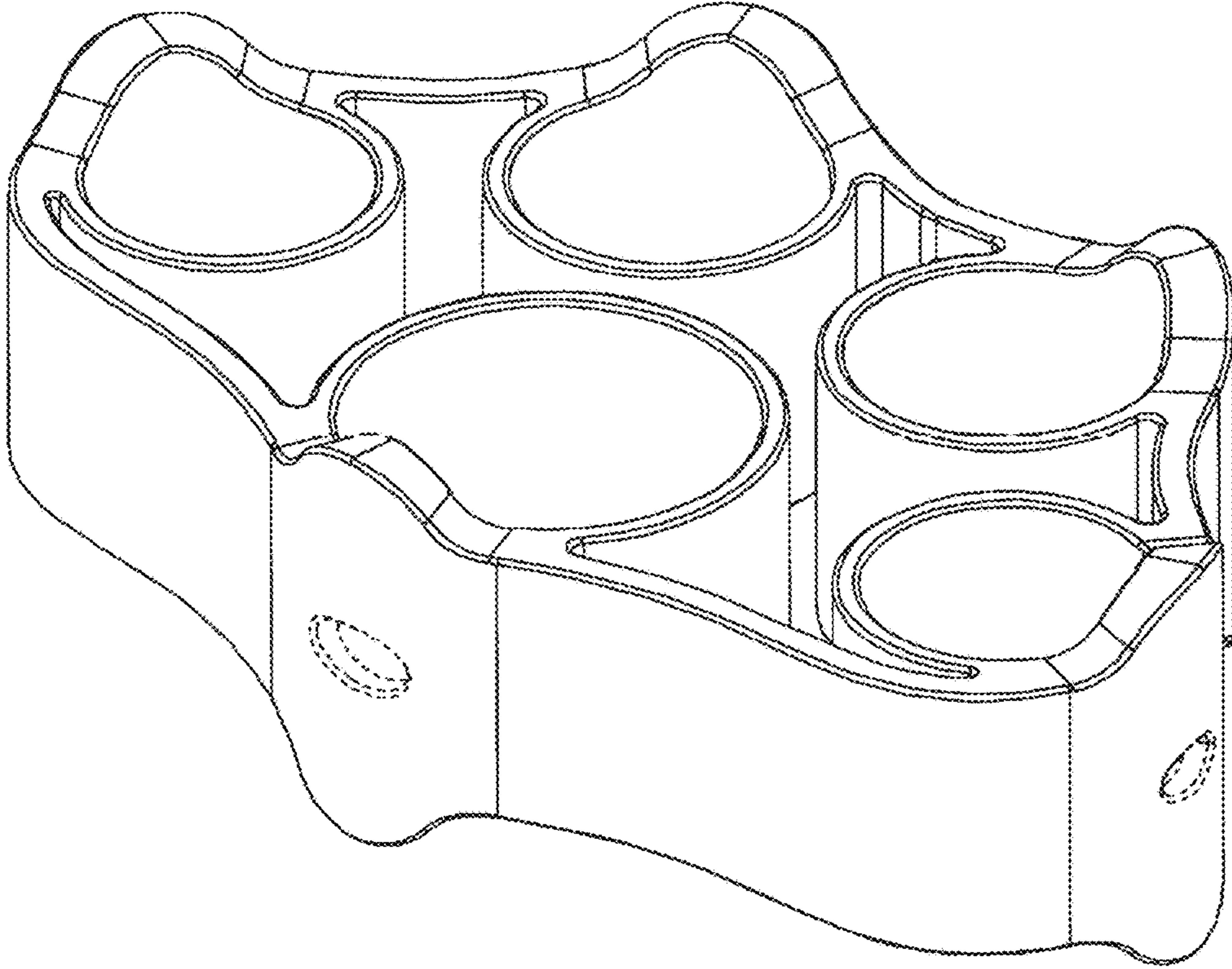


FIG. 1

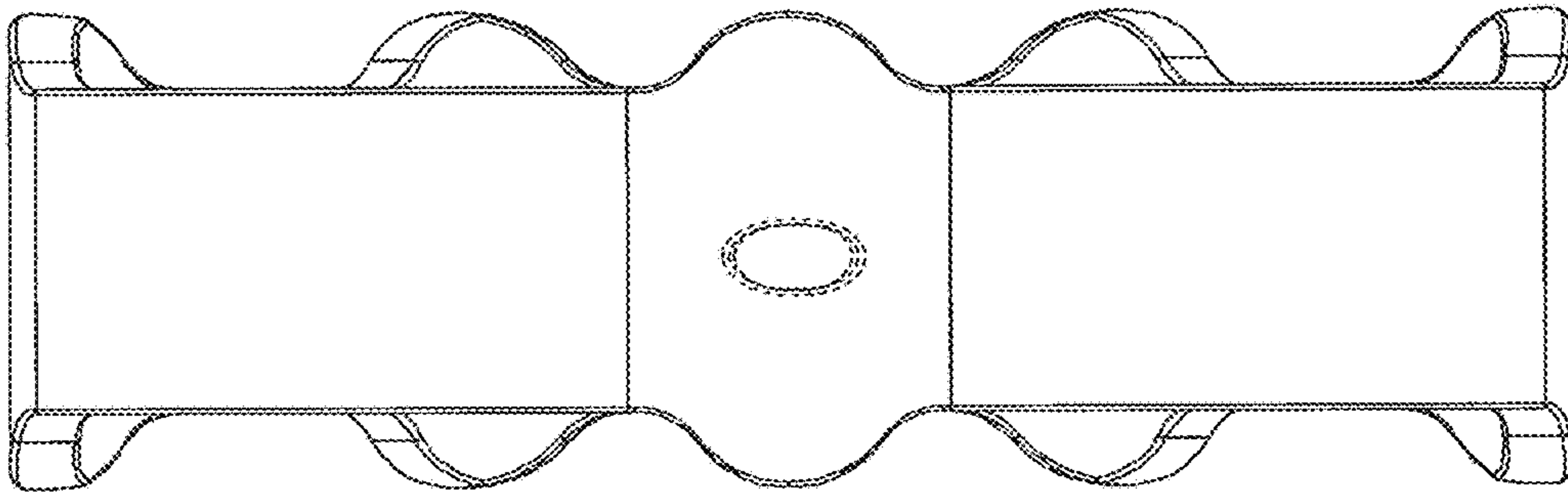


FIG. 2

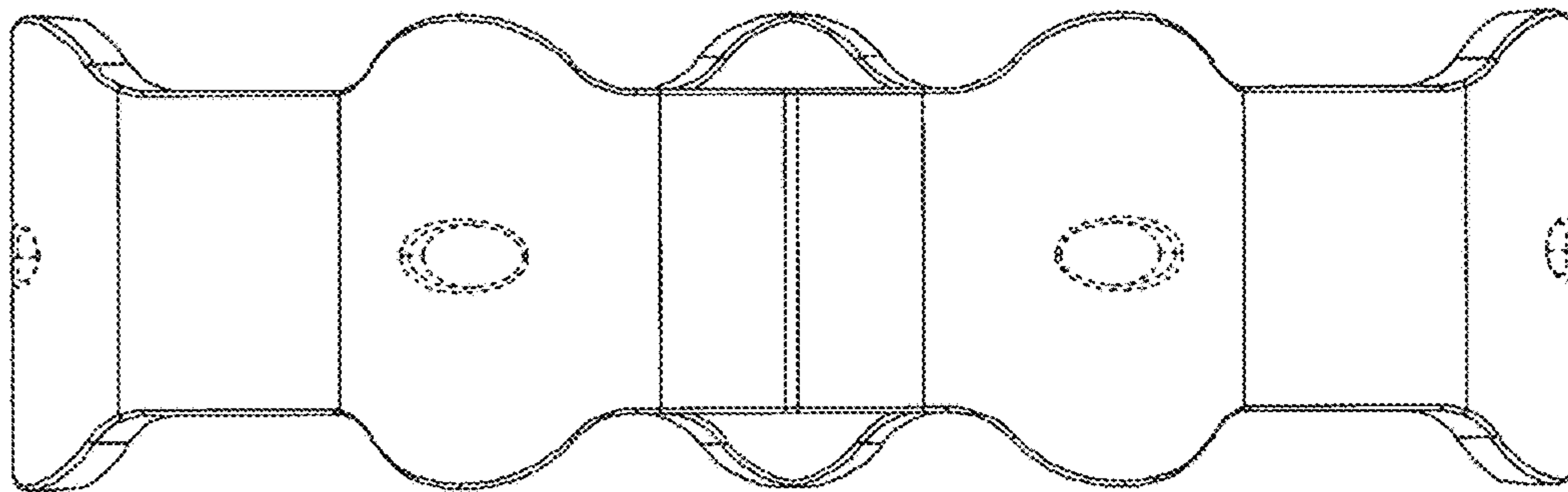


FIG. 3

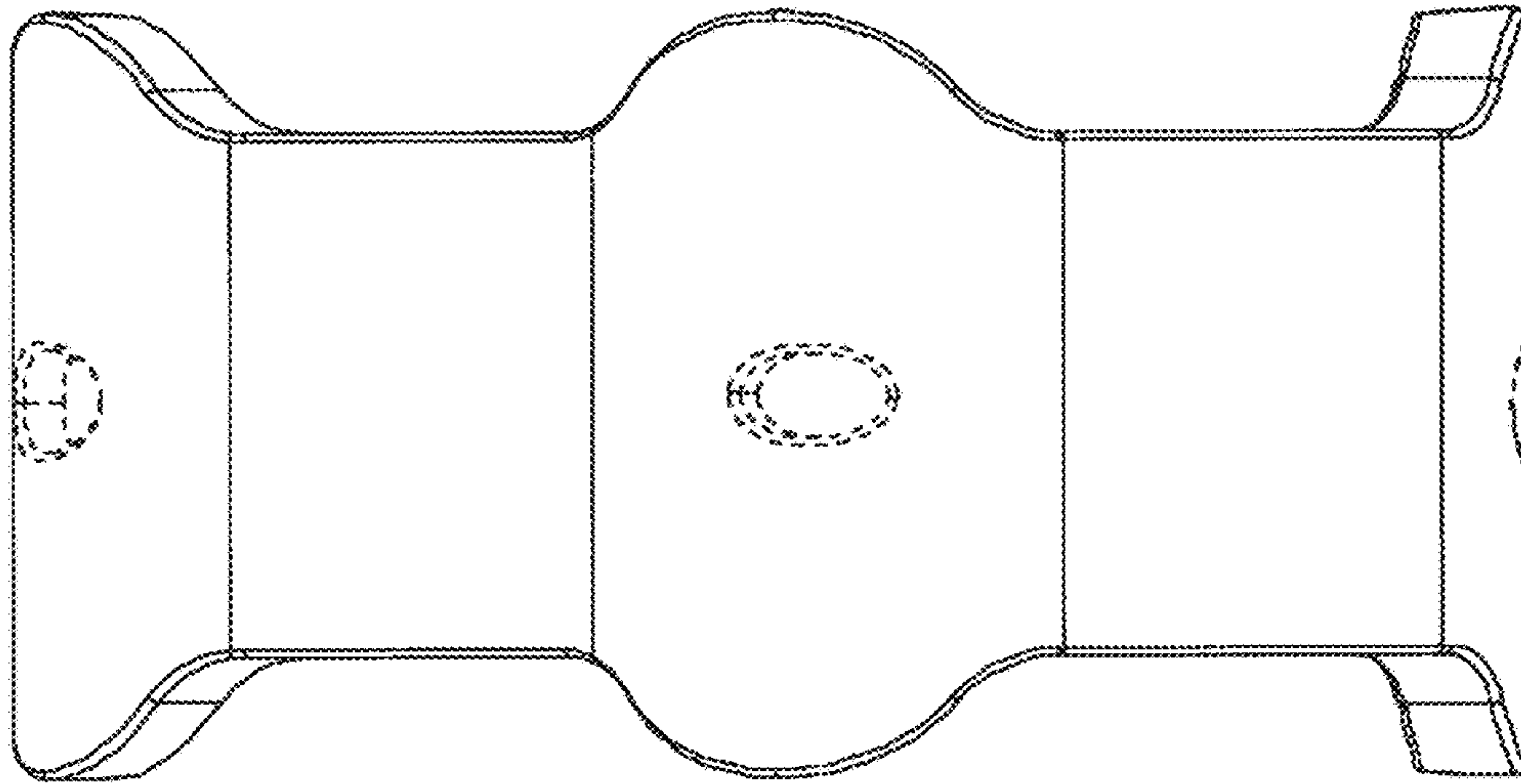


FIG. 4

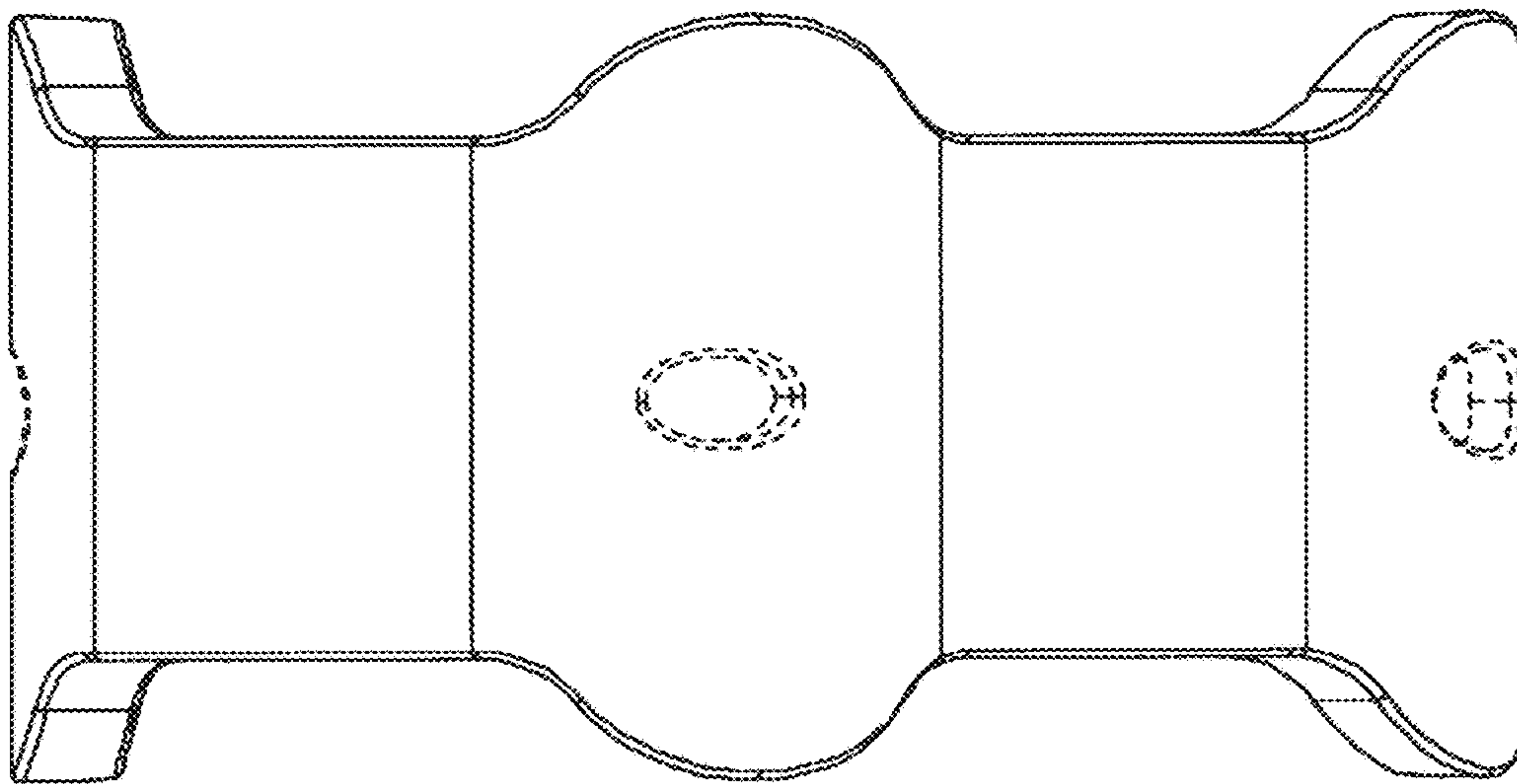


FIG. 5

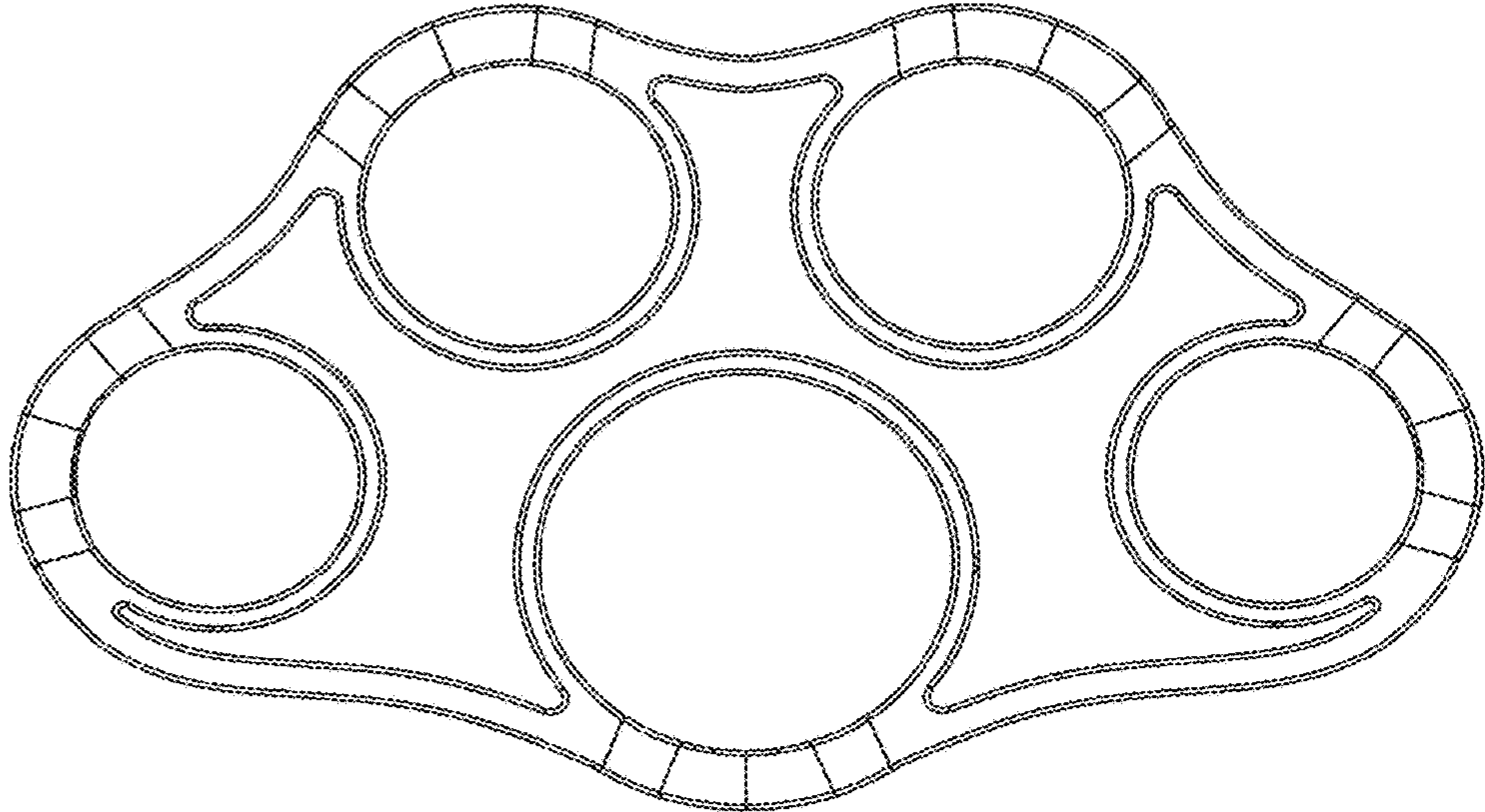


FIG. 6

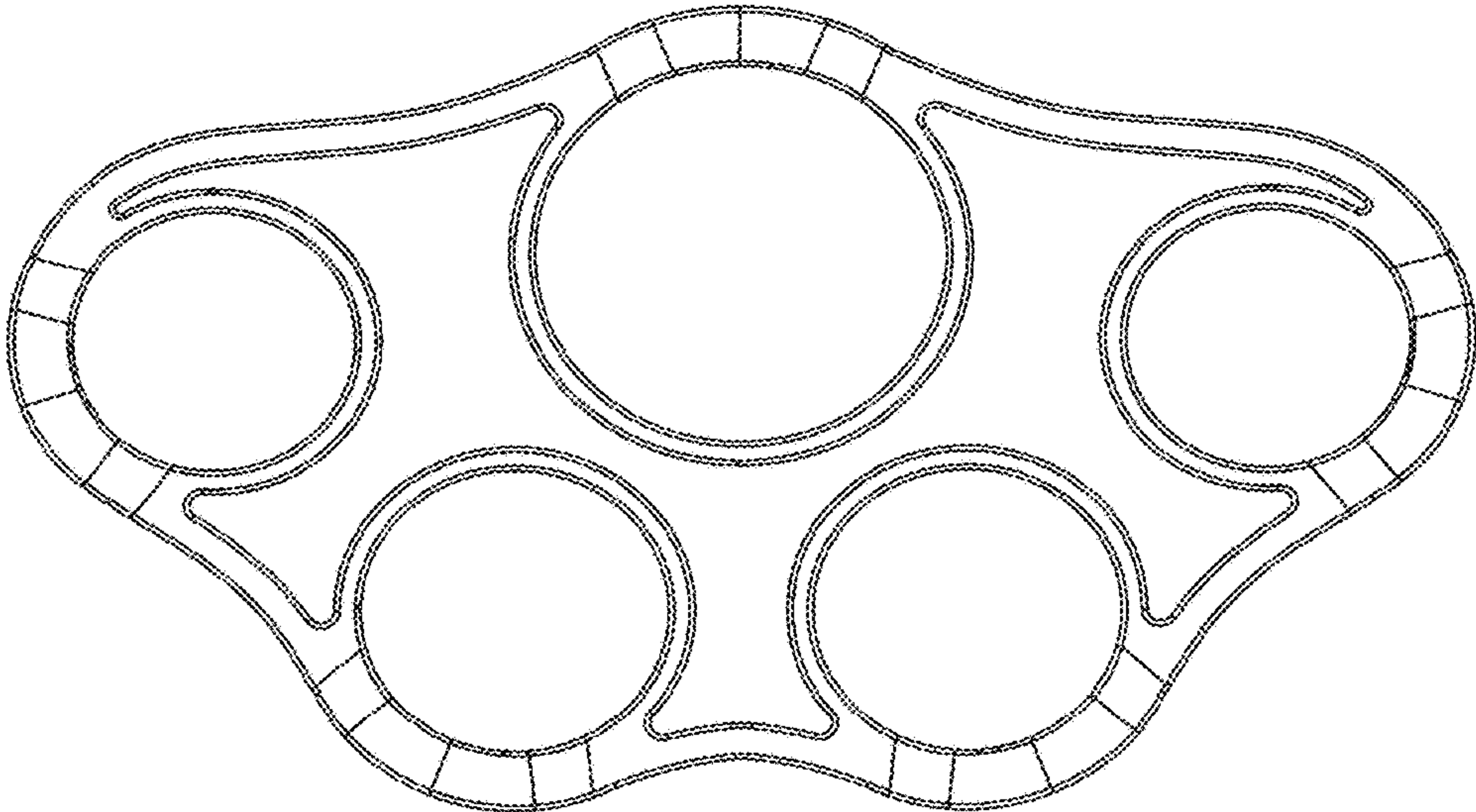


FIG. 7