



US00D858660S

(12) **United States Design Patent** (10) **Patent No.:** **US D858,660 S**
Connors, Jr. (45) **Date of Patent:** **** Sep. 3, 2019**

(54) **PHYSICAL ASSISTANCE DEVICE**

(71) Applicant: **DLC Partners, LLC**, Oxford, CT (US)

(72) Inventor: **Richard C. Connors, Jr.**, Oxford, CT (US)

(73) Assignee: **DLC Partners, LLC**, Oxford, CT (US)

(**) Term: **15 Years**

(21) Appl. No.: **29/634,977**

(22) Filed: **Jan. 26, 2018**

(51) **LOC (12) Cl.** **21-02**

(52) **U.S. Cl.**
USPC **D21/682**

(58) **Field of Classification Search**
 USPC D24/188; D21/662, 679, 682, 684, 692, D21/406
 CPC A63B 21/0004; A63B 21/0552; A63B 21/00043; A63B 22/18; A63B 2022/0033; A63B 21/4035; A63B 23/12; A63B 21/0557; A63B 2208/0204; A61G 7/053; A61G 7/0513; A61G 5/14; A61G 7/0507; A61G 7/0518; A61G 7/1038; A61G 7/0509; A61G 7/051

See application file for complete search history.

(56) **References Cited**

U.S. PATENT DOCUMENTS

4,211,402 A *	7/1980	Carroll	A63B 21/28 273/451
D276,835 S *	12/1984	Killen	D21/679
D660,929 S *	5/2012	Fitzpatrick	D21/692
D763,541 S *	8/2016	Livas	D1/120
D794,145 S *	8/2017	Sanjo	D21/692
D818,546 S *	5/2018	Martin	D21/682

* cited by examiner

Primary Examiner — Randall H Gholson

(74) *Attorney, Agent, or Firm* — Carson C. K. Fincham; Fincham Downs LLC

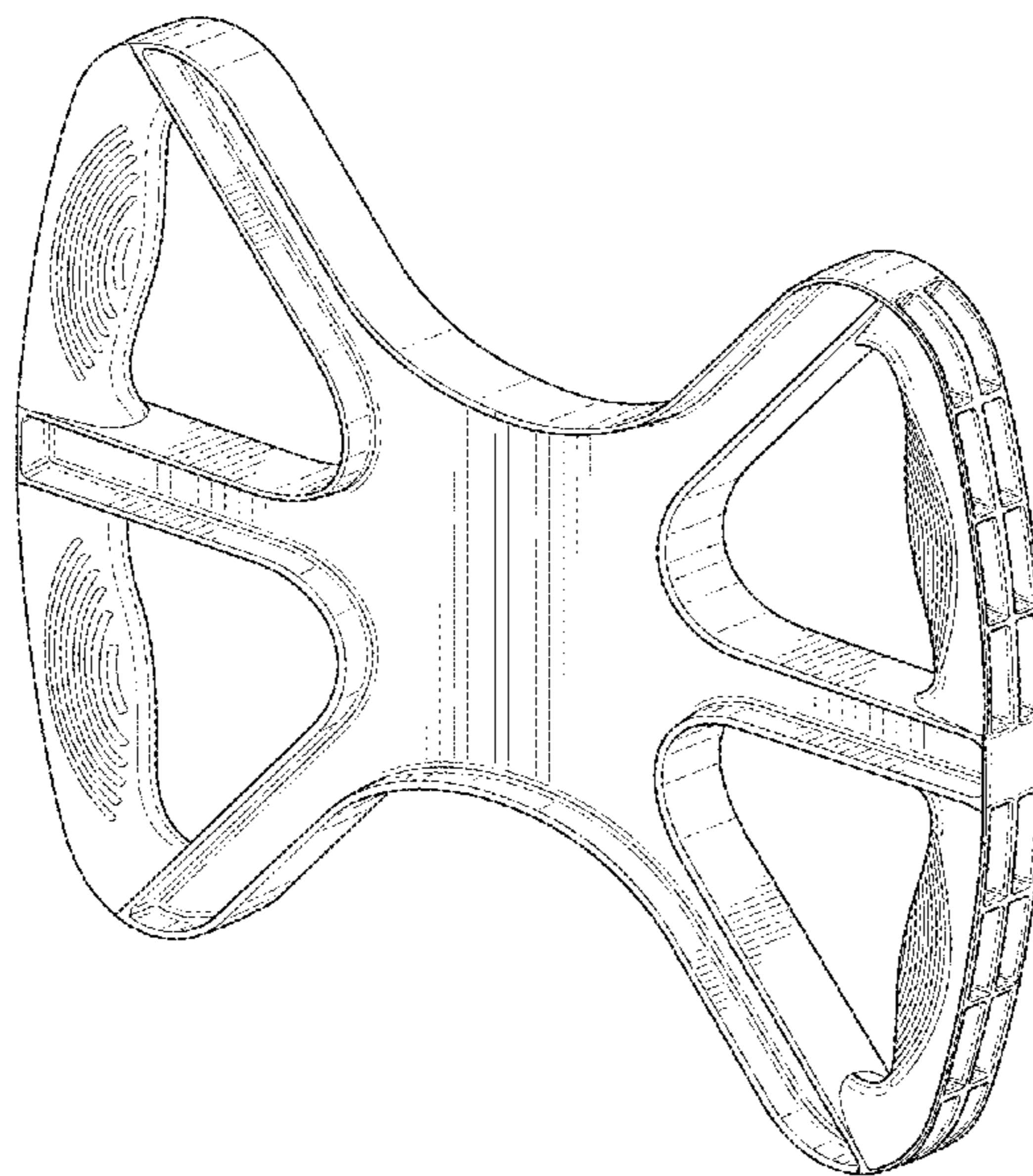
(57) **CLAIM**

The ornamental design for a physical assistance device, as shown and described.

DESCRIPTION

FIG. 1 is a front, top-left perspective view of a physical assistance device according to the new design;
 FIG. 2 is a front view thereof;
 FIG. 3 is a rear view thereof;
 FIG. 4 is a left view thereof;
 FIG. 5 is a right view thereof;
 FIG. 6 is a top view thereof; and,
 FIG. 7 is a bottom view thereof.

1 Claim, 5 Drawing Sheets



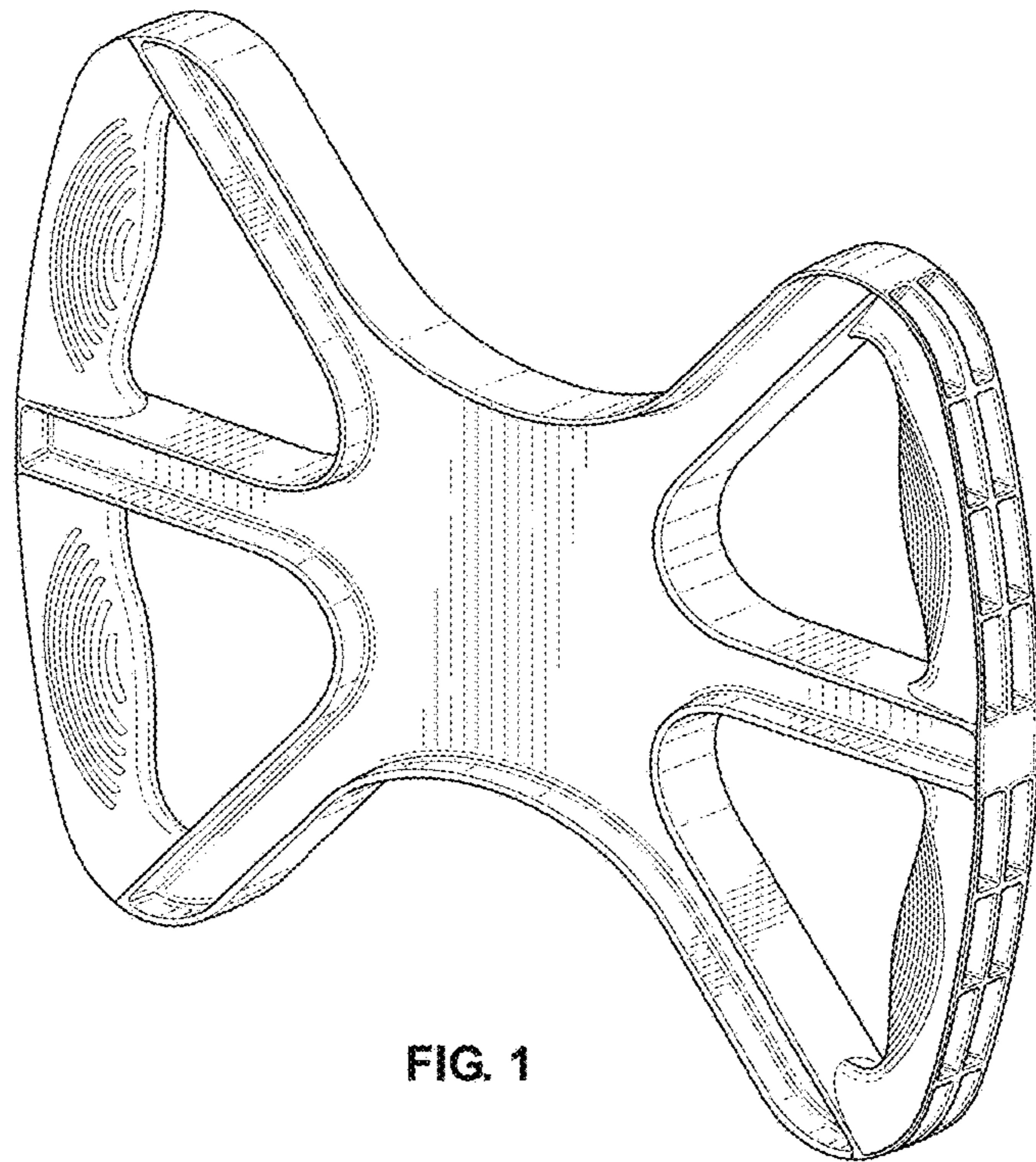


FIG. 1

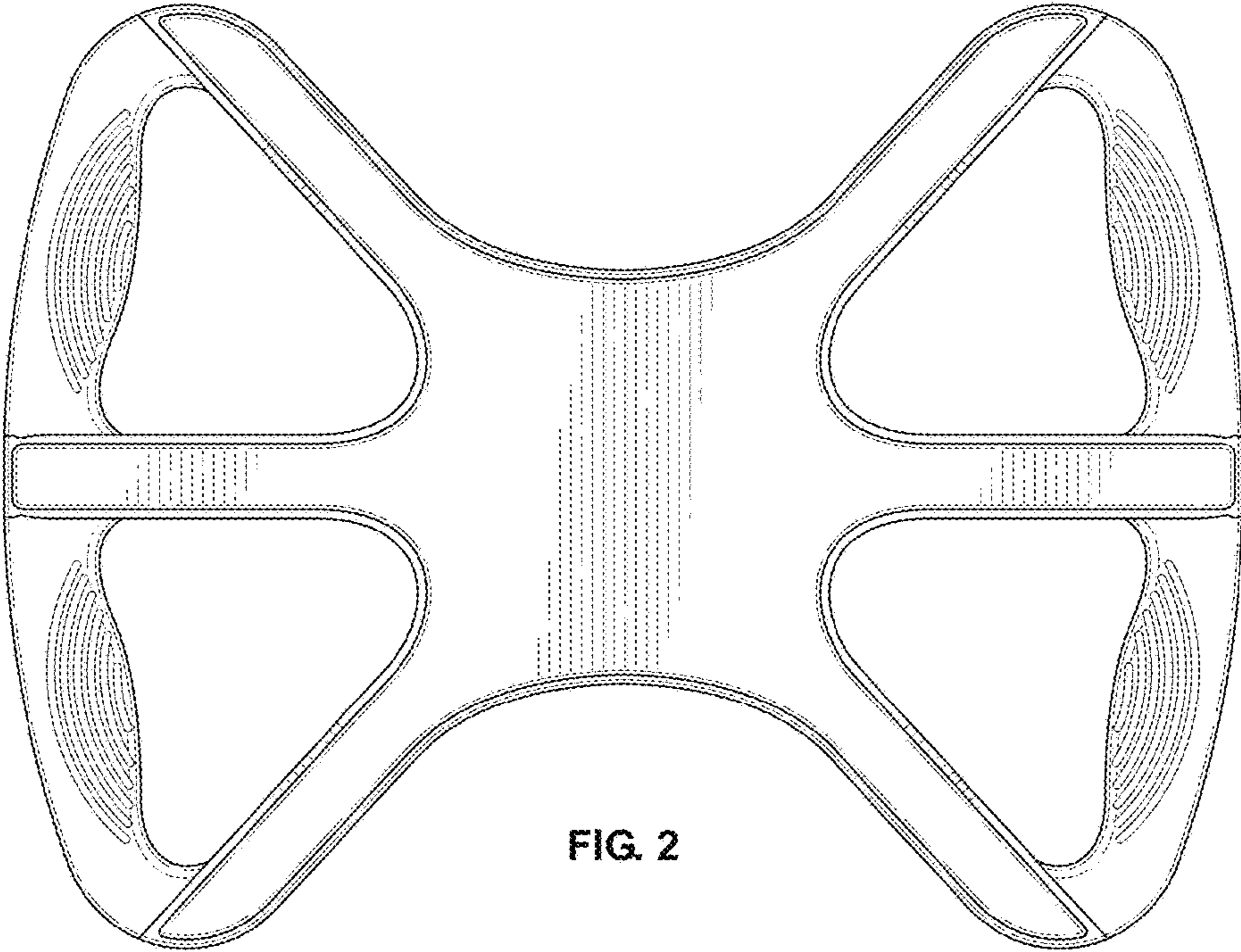


FIG. 2

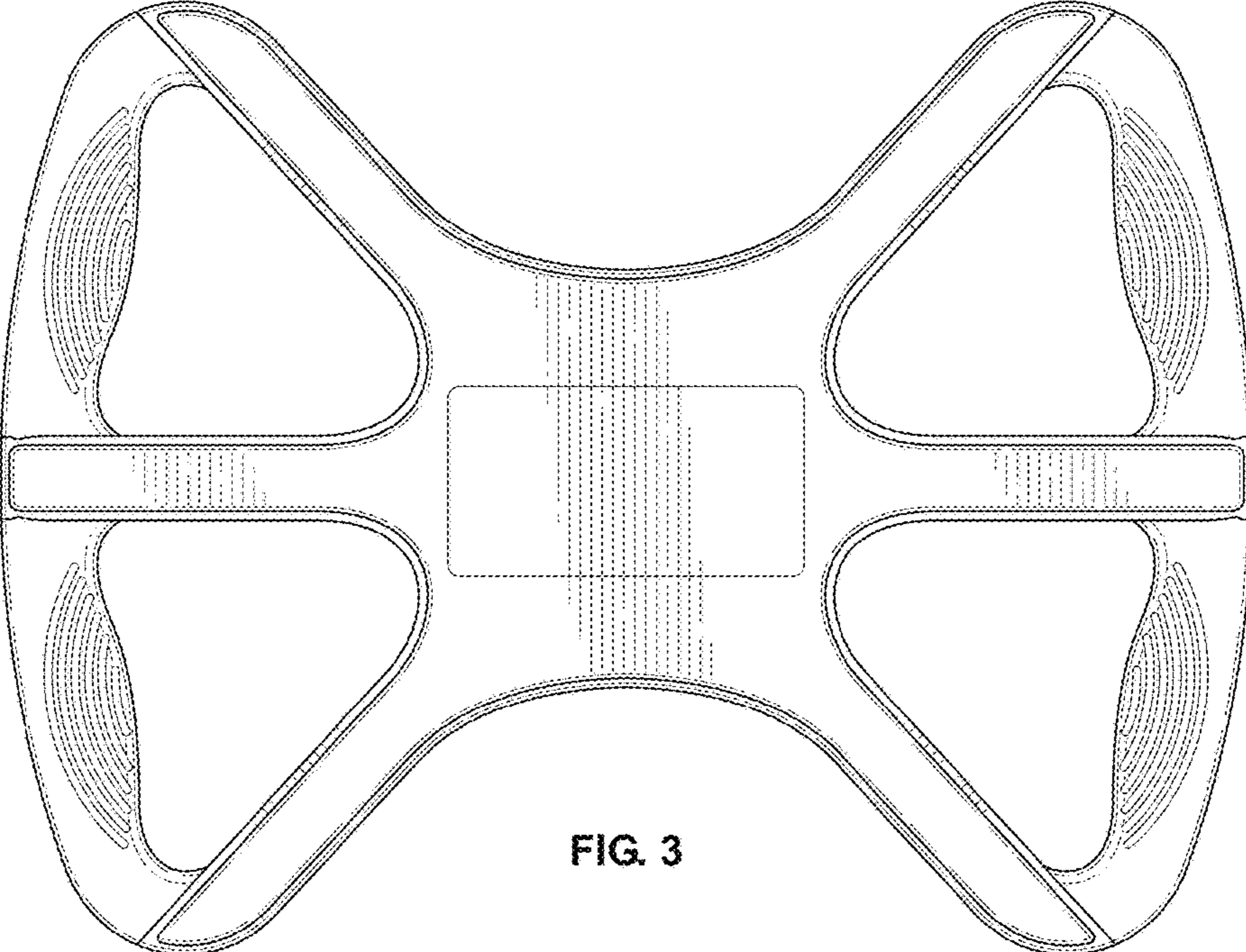


FIG. 3

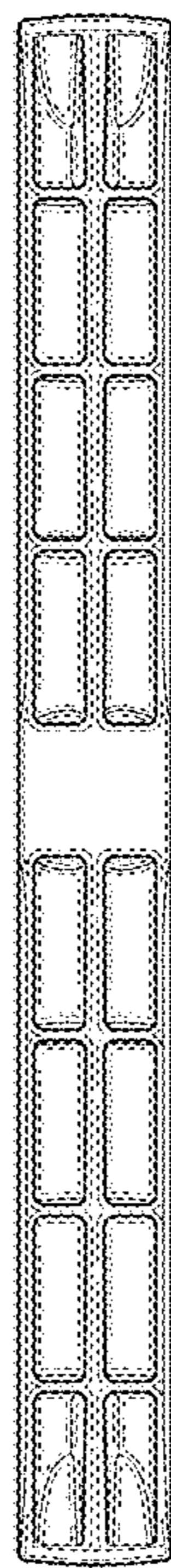


FIG. 4

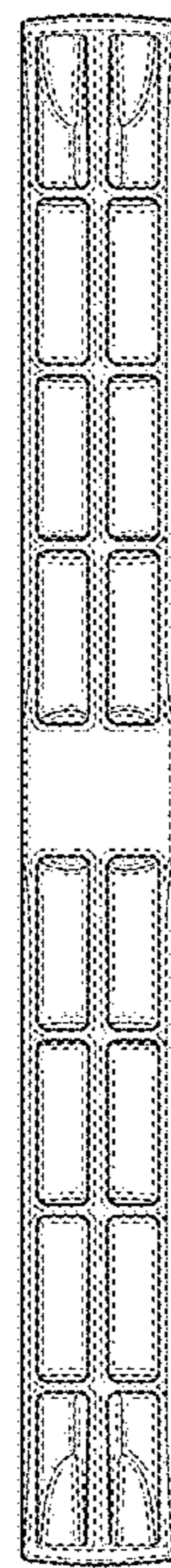


FIG. 5



FIG. 6

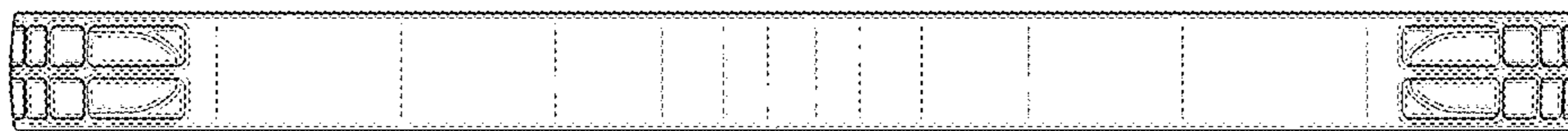


FIG. 7