



US00D858659S

(12) **United States Design Patent** (10) **Patent No.:** **US D858,659 S**
Doyle (45) **Date of Patent:** **** Sep. 3, 2019**

- (54) **FRAME FOR GLUTEUS MAXIMUS EXERCISE DEVICE**
- (71) Applicant: **Dennis Doyle**, Santa Monica, CA (US)
- (72) Inventor: **Dennis Doyle**, Santa Monica, CA (US)
- (**) Term: **15 Years**
- (21) Appl. No.: **29/664,590**
- (22) Filed: **Sep. 26, 2018**

4,248,421 A * 2/1981 Salazar A63B 21/0085
482/112
4,279,415 A * 7/1981 Katz A63B 69/0035
36/7.8
D262,808 S * 1/1982 Kyo D21/692
4,635,931 A 1/1987 Braennstam
(Continued)

FOREIGN PATENT DOCUMENTS

WO WO95/20997 8/1999

OTHER PUBLICATIONS

Amazon.com—Intex Giant Bellows Foot Pump, 12.5". Sports & Outdoors. May 8, 2018, 9 pages.

Primary Examiner — Ryan Harvey
(74) *Attorney, Agent, or Firm* — Joseph E. Maenner; Maenner & Associates, LLC

(57) **CLAIM**

The ornamental design for a frame for gluteus maximus exercise device, as shown as described.

DESCRIPTION

FIG. 1 is a perspective view of a frame for an exercise device according to the present invention;
 FIG. 2 is a left side view of the exercise device of FIG. 1;
 FIG. 3 is a right side view of the exercise device of FIG. 1;
 FIG. 4 is a top plan view of the exercise device of FIG. 1;
 FIG. 5 is a bottom plan view of the exercise device of FIG. 1;
 FIG. 6 is a front elevational view of the exercise device of FIG. 1; and,
 FIG. 7 is a rear elevational view of the exercise device of FIG. 1.
 The broken lines shown in FIGS. 1-6 illustrate portions of the frame for gluteus maximus exercise device and form no part of the claimed design.

1 Claim, 4 Drawing Sheets

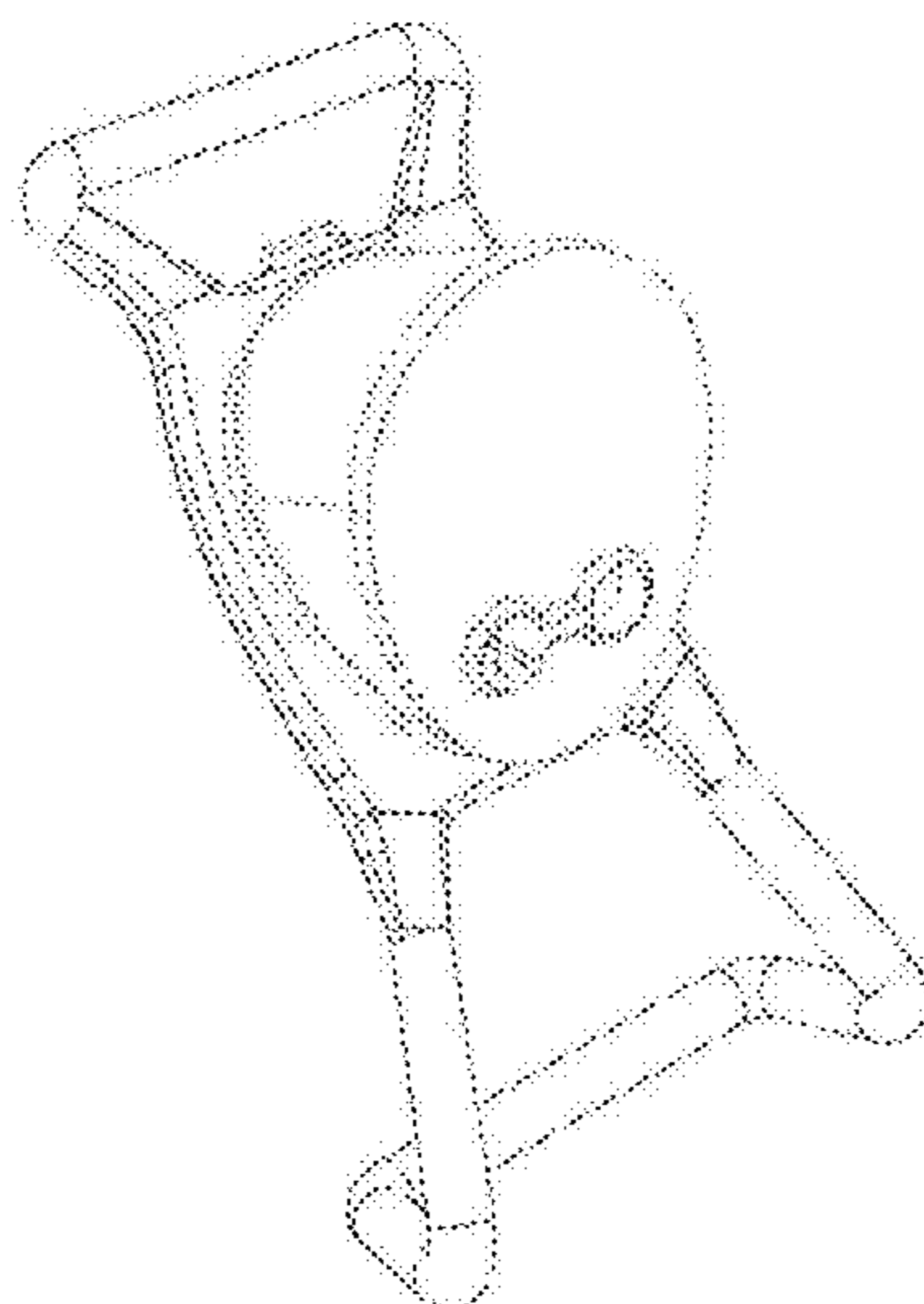
Related U.S. Application Data

- (63) Continuation of application No. 16/019,870, filed on Jun. 27, 2018, now Pat. No. 10,238,906.
- (60) Provisional application No. 62/526,698, filed on Jun. 29, 2017.
- (51) **LOC (12) Cl.** **21-02**
- (52) **U.S. Cl.**
USPC **D21/680**
- (58) **Field of Classification Search**
USPC D21/662, 680, 682, 683, 691, 692, 693,
D21/798, 684, 687; 482/53, 112, 52, 79,
482/96, 124, 127, 106, 109; D24/211
CPC A63B 21/0085; A63B 21/00043; A63B
21/00069; A63B 21/05; A63B 21/072;
A63B 21/023; A63B 21/4035; A63B
21/0004
See application file for complete search history.

(56) **References Cited**

U.S. PATENT DOCUMENTS

D232,368 S * 8/1974 Shales D21/692
 3,836,141 A * 9/1974 Franklyn A63B 21/00043
 482/112
 3,884,463 A * 5/1975 Malatesta A63B 21/00043
 482/112
 4,191,370 A * 3/1980 Meyer A63B 21/068
 446/193



(56)

References Cited

U.S. PATENT DOCUMENTS

4,911,437 A * 3/1990 Schulkin A63B 21/05
482/124
5,267,923 A * 12/1993 Piaget A63B 21/0085
482/52
5,267,924 A * 12/1993 Miller A61H 1/0266
482/79
5,352,173 A * 10/1994 McLaughlin A63B 23/03575
482/121
5,441,466 A * 8/1995 Piaget A63B 21/0085
297/423.46
D370,951 S * 6/1996 Lazar D21/692
5,558,398 A * 9/1996 Santos A47C 4/54
297/284.3
5,626,543 A * 5/1997 Chen A63B 21/00043
482/112
D379,835 S * 6/1997 Chen D21/686
D413,948 S * 9/1999 Dalebout D21/662
D420,413 S * 2/2000 Gonzalez D21/798
6,196,951 B1 * 3/2001 Shepherd A63B 21/072
482/106
D446,584 S * 8/2001 Chen D21/662
D464,095 S * 10/2002 Yu D21/662
D486,192 S * 2/2004 Pointer, Jr. D21/692
6,689,022 B1 * 2/2004 Emick A63B 21/06
482/93
D509,862 S * 9/2005 Tsai D21/662
D561,849 S * 2/2008 Piaget D21/670
7,614,978 B2 * 11/2009 Piaget A63B 21/0085
482/112
7,727,089 B2 * 6/2010 Gilman A63B 21/06
473/441
D628,662 S * 12/2010 Heller D21/692
8,007,417 B2 8/2011 Heller
D644,701 S * 9/2011 Towley, III D21/681

D651,672 S * 1/2012 Towley, III D21/681
D653,715 S * 2/2012 Tumminia A63B 21/072
D21/679
D660,929 S * 5/2012 Fitzpatrick D21/692
8,236,522 B2 8/2012 Piaget et al.
D689,153 S * 9/2013 Brinkley D21/662
8,864,633 B1 * 10/2014 Butler A63B 23/0405
482/128
D720,819 S * 1/2015 Prats D21/670
D734,412 S * 7/2015 Butler D21/692
9,186,538 B1 * 11/2015 Seen A63B 21/072
D780,858 S * 3/2017 Pfaff D21/683
D789,461 S * 6/2017 Magloire D21/682
D794,145 S * 8/2017 Sanjo D21/692
D794,948 S * 8/2017 Wright D21/683
D795,364 S * 8/2017 Chang D21/670
D797,868 S * 9/2017 Thomas D21/683
D804,592 S * 12/2017 Wittmack D21/681
D818,546 S * 5/2018 Martin D21/682
D834,660 S * 11/2018 Petek D21/682
10,179,259 B1 * 1/2019 Zagata A63B 21/072
10,188,899 B1 * 1/2019 Acuna, Jr. A63B 21/4035
2002/0160890 A1 * 10/2002 Fazio A63B 21/00072
482/112
2003/0092538 A1 * 5/2003 Kuo A63B 22/0056
482/79
2006/0199709 A1 * 9/2006 Shepherd A63B 21/072
482/109
2010/0075819 A1 * 3/2010 Maki 482/139
2011/0195822 A1 8/2011 Donofrio
2014/0024506 A1 * 1/2014 Vixathep A63B 21/0726
482/108
2014/0162852 A1 * 6/2014 Ho A63B 21/023
482/127
2015/0375034 A1 12/2015 Babon
2019/0046827 A1 * 2/2019 Doyle A63B 21/00069

* cited by examiner

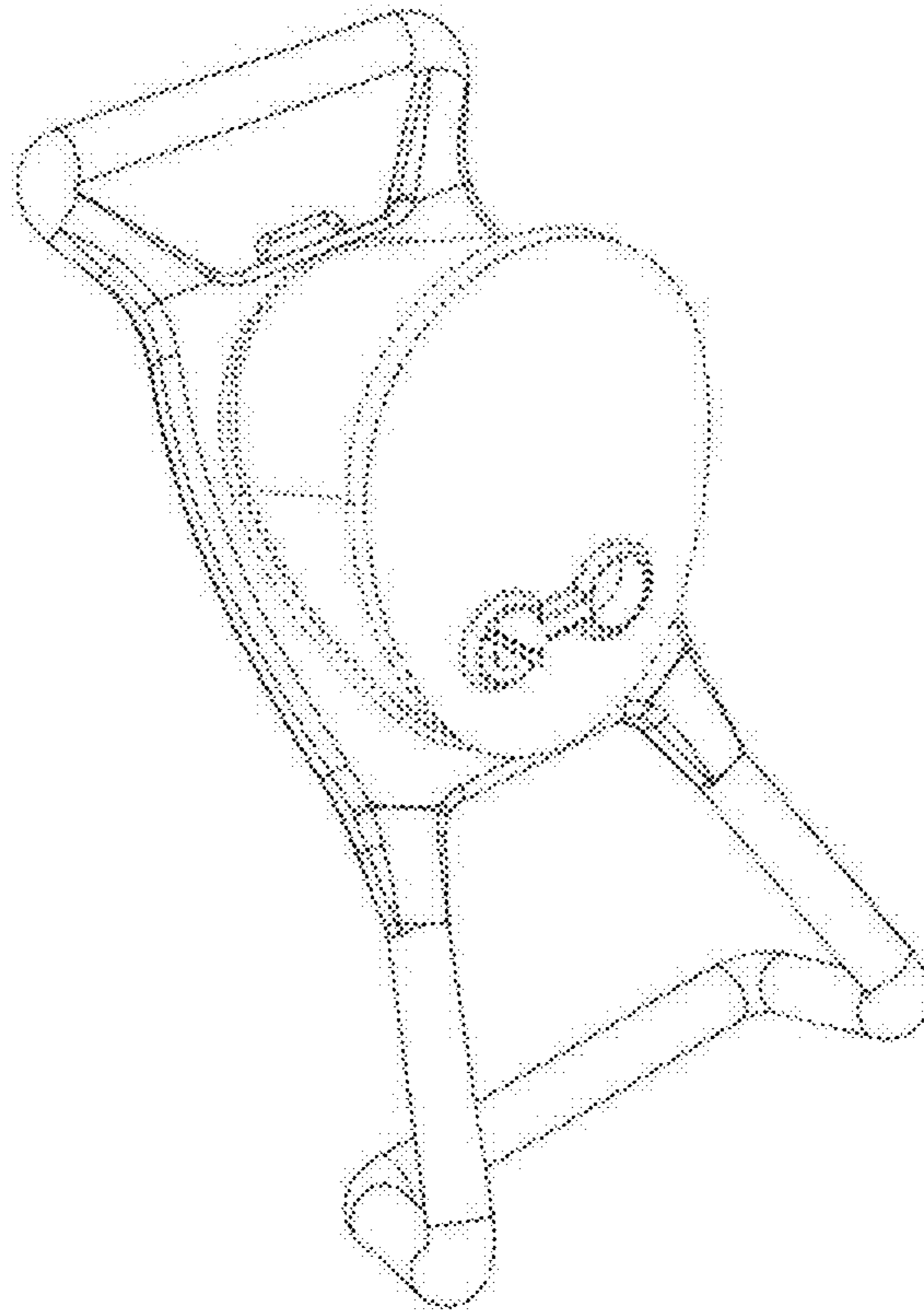


FIG. 1

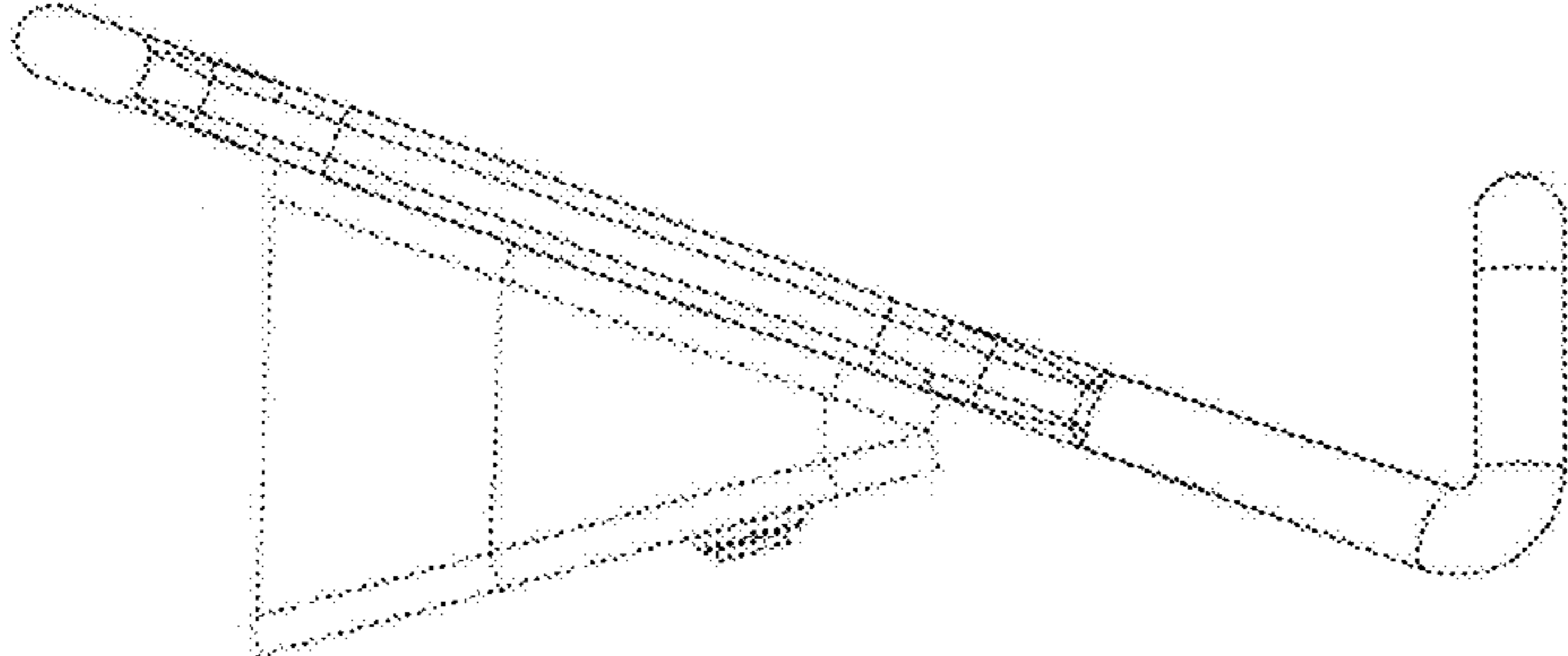


FIG. 3

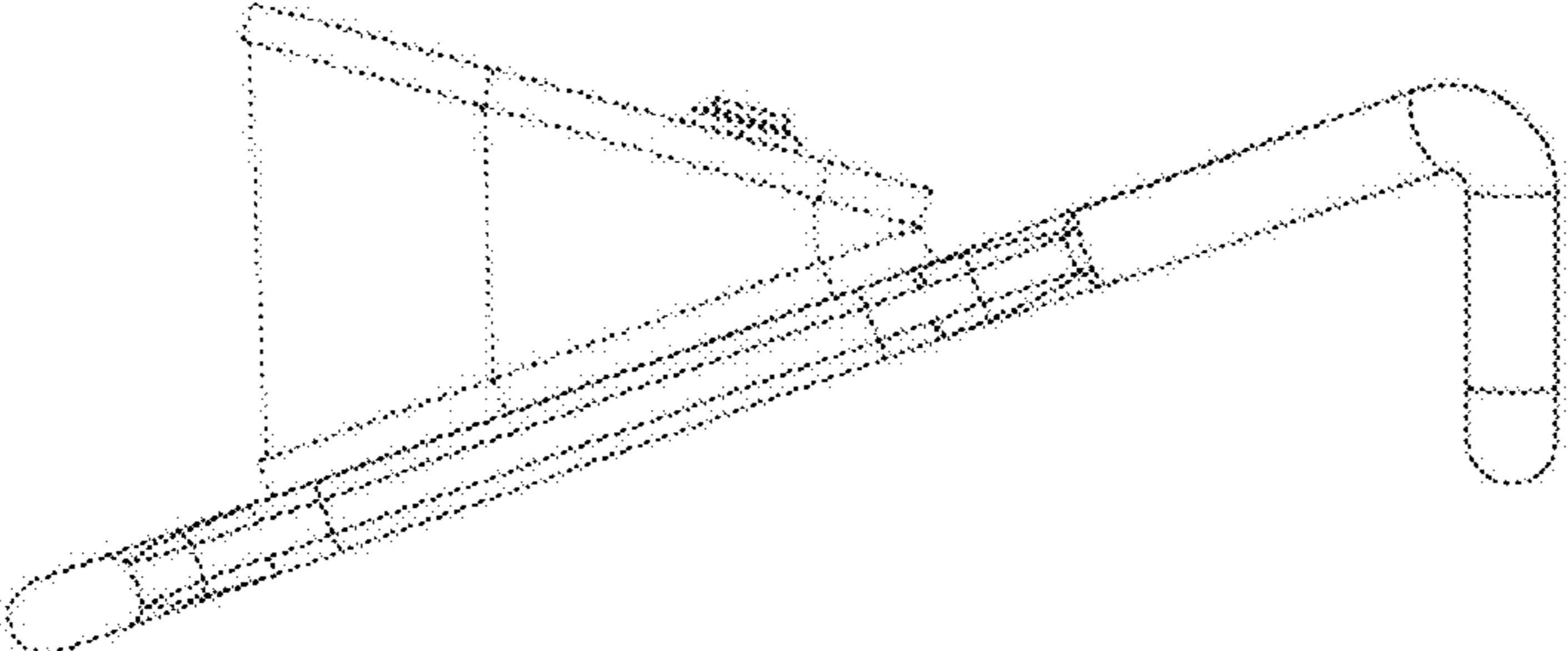


FIG. 2

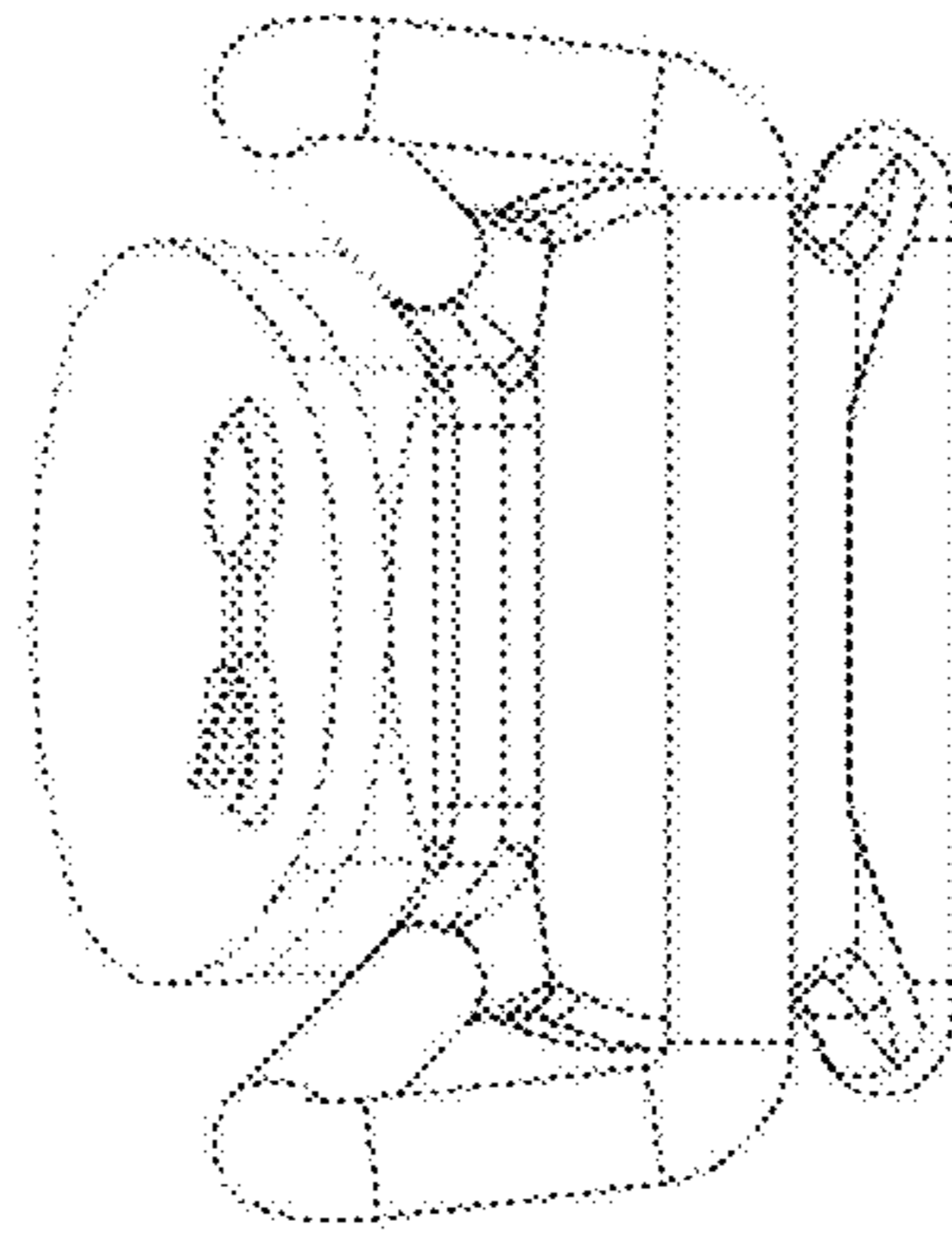


FIG. 5

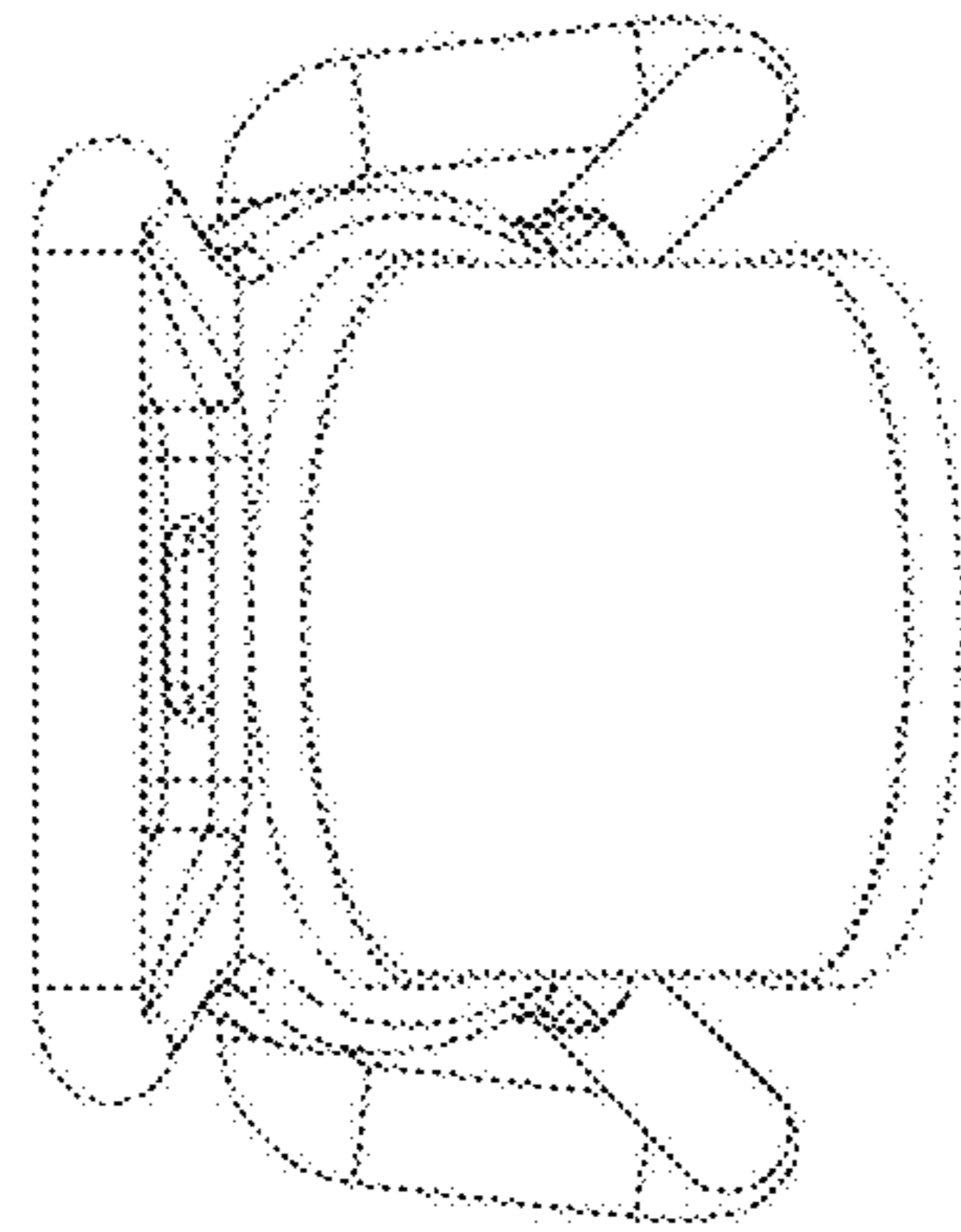


FIG. 4

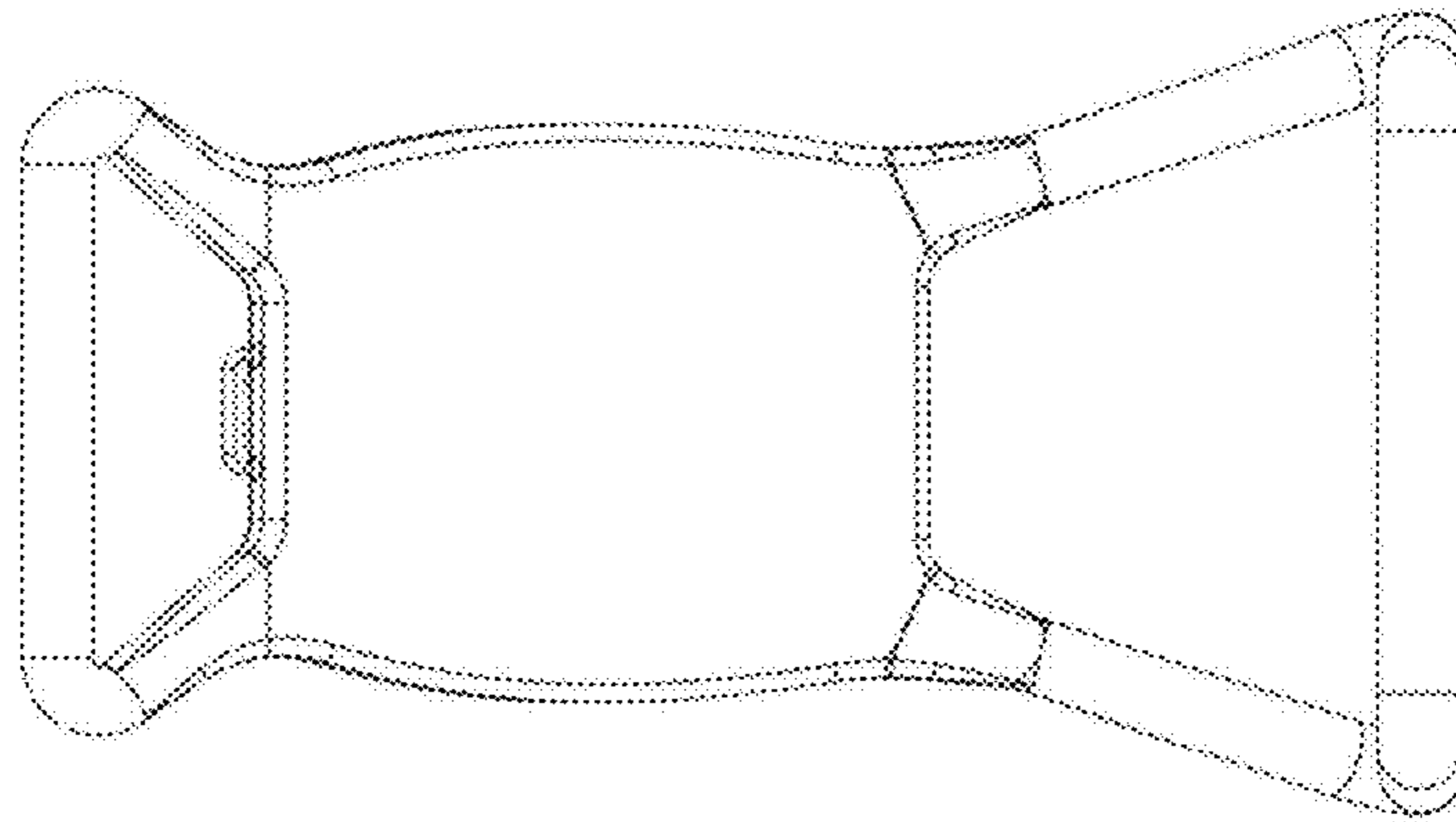


FIG. 7

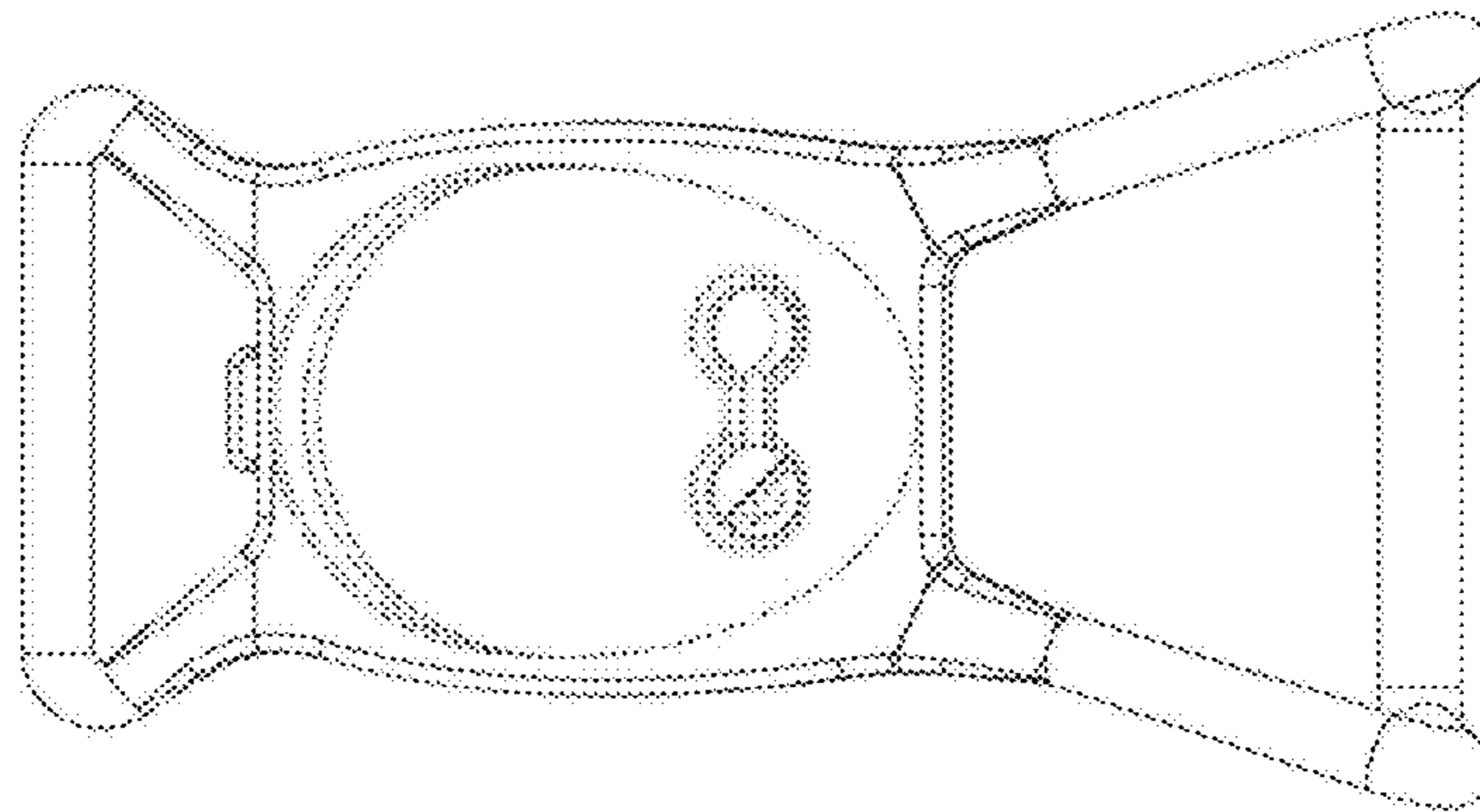


FIG. 6