



US00D858657S

(12) **United States Design Patent**  
**Hernandez Ortega**

(10) **Patent No.:** **US D858,657 S**

(45) **Date of Patent:** **\*\* \*Sep. 3, 2019**

(54) **DIDACTIC DOLL**

(71) Applicant: **Luis Antonio Hernandez Ortega**, Del. Iztapalapa (MX)

(72) Inventor: **Luis Antonio Hernandez Ortega**, Del. Iztapalapa (MX)

(73) Assignee: **Luis Antonio Hernandez Ortega**, Del. Iztapalapa (MX)

(\*) Notice: This patent is subject to a terminal disclaimer.

(\*\*) Term: **15 Years**

(21) Appl. No.: **29/612,948**

(22) Filed: **Aug. 4, 2017**

(30) **Foreign Application Priority Data**

Jun. 13, 2017 (MX) ..... F/2017/001723

(51) **LOC (12) Cl.** ..... **21-02**

(52) **U.S. Cl.**  
USPC ..... **D21/621; D21/578**

(58) **Field of Classification Search**  
USPC ..... D21/601, 578, 621, 627, 630  
CPC ..... A63H 3/04; A63H 3/06; A63H 3/10  
See application file for complete search history.

(56) **References Cited**

**U.S. PATENT DOCUMENTS**

D204,394 S \* 4/1966 Wendt ..... D21/578  
D217,267 S \* 4/1970 Tally ..... D21/578

D248,881 S \* 8/1978 Goldfarb ..... D21/621  
D445,468 S \* 7/2001 Lipper ..... D21/621  
D550,788 S \* 9/2007 Scully ..... D21/630  
7,766,716 B2 \* 8/2010 Fong ..... A63H 3/16  
446/99  
D636,448 S \* 4/2011 Eisenstein ..... D21/621  
D658,501 S \* 5/2012 Modaberi ..... D21/578  
D739,480 S \* 9/2015 Hernandez Ortega ..... D21/621  
D784,850 S \* 4/2017 Kawase ..... D11/142  
D802,686 S \* 11/2017 Campbell ..... D21/630  
2016/0008726 A1 \* 1/2016 Morris ..... A63H 33/106  
446/314

\* cited by examiner

*Primary Examiner* — Garth Rademaker

*Assistant Examiner* — Melvin L Davis

(74) *Attorney, Agent, or Firm* — Jason P. Mueller; Adams and Reese LLP

(57) **CLAIM**

The ornamental design for a didactic doll, as shown and described.

**DESCRIPTION**

FIG. 1 is a perspective view of a didactic doll, showing our new design;  
FIG. 2 is a front view thereof;  
FIG. 3 is a rear view thereof;  
FIG. 4 is a right side view thereof;  
FIG. 5 is a left side view thereof;  
FIG. 6 is a top view thereof; and,  
FIG. 7 is a bottom view thereof.

**1 Claim, 2 Drawing Sheets**

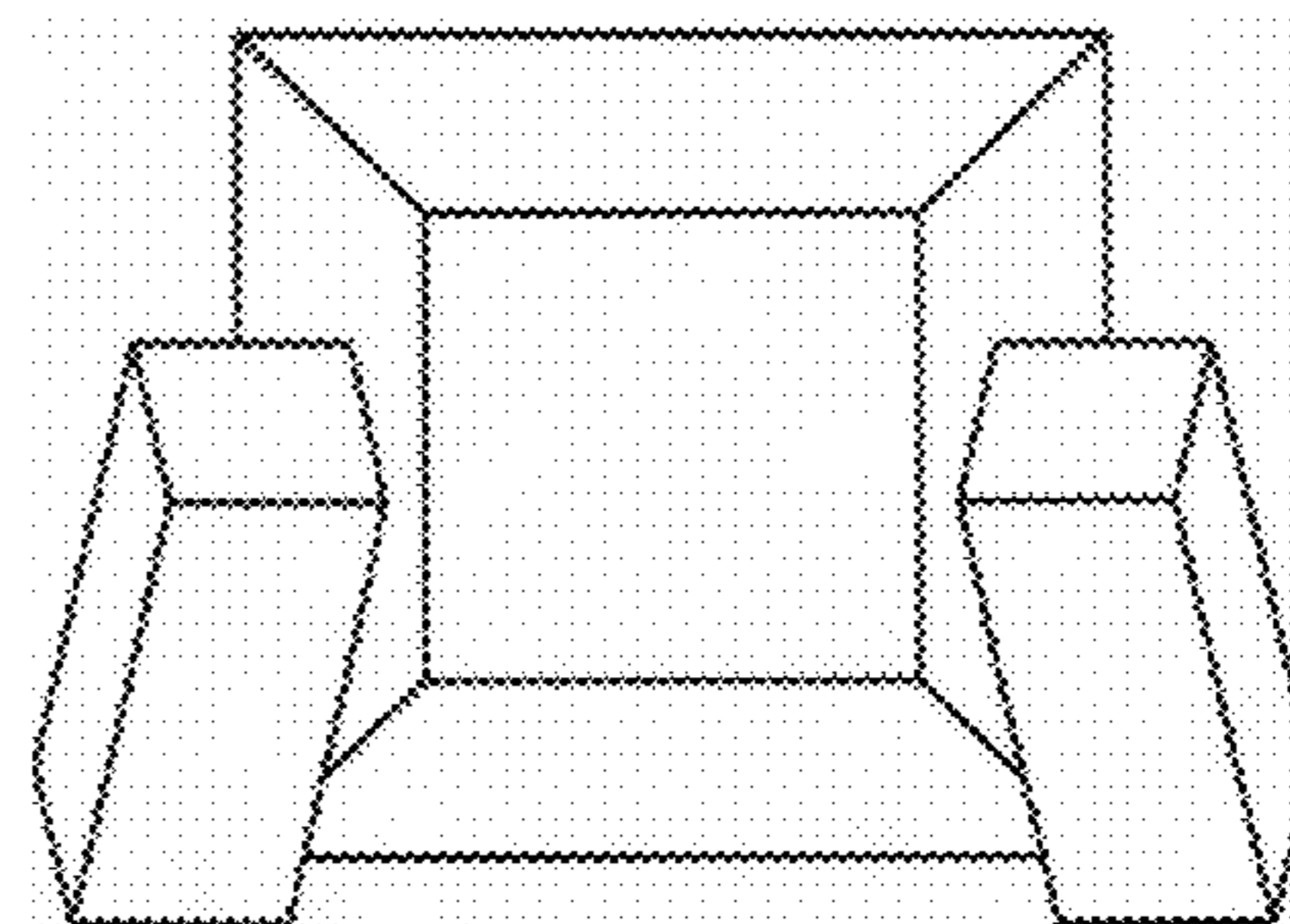
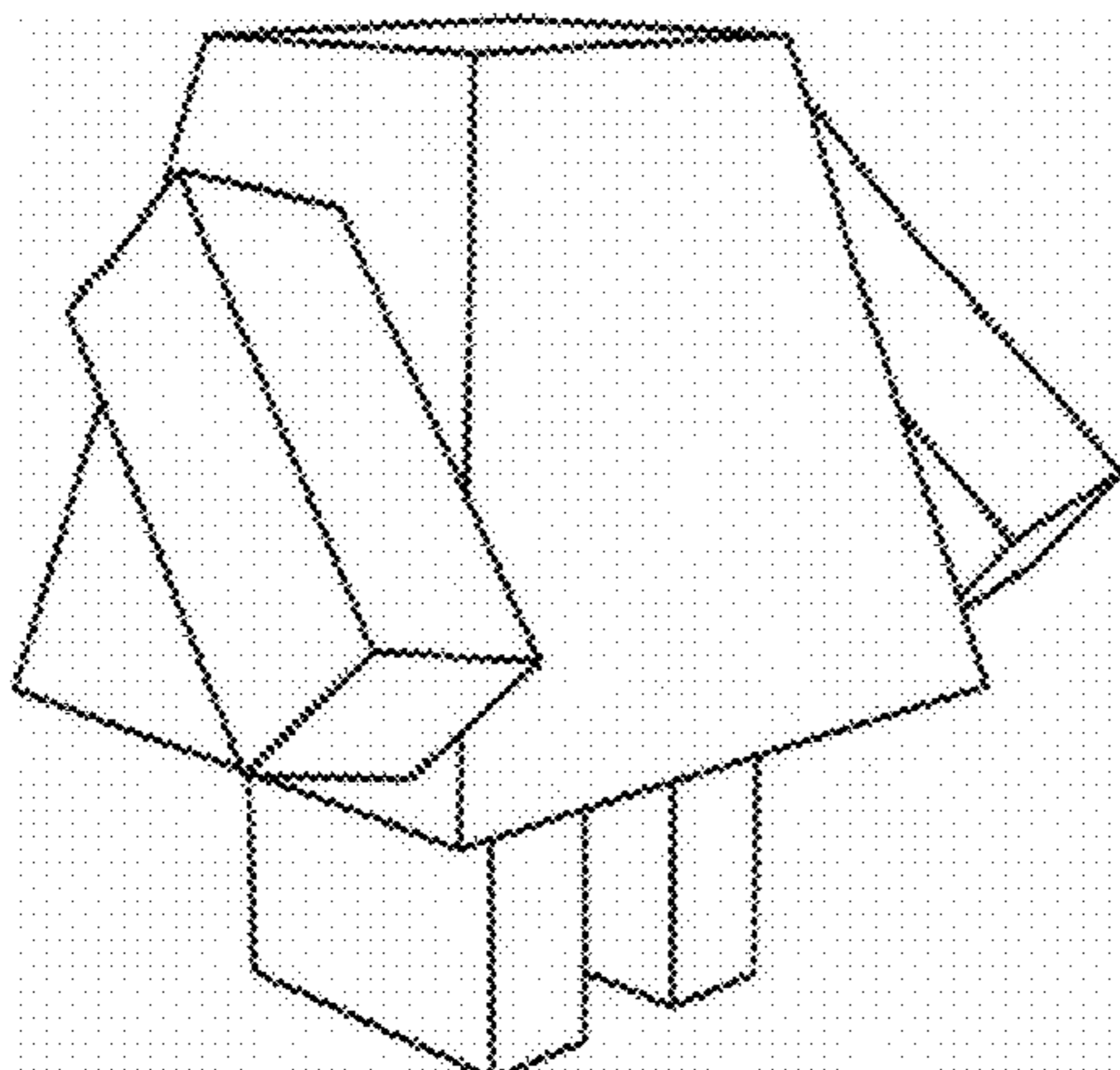


Fig - 1

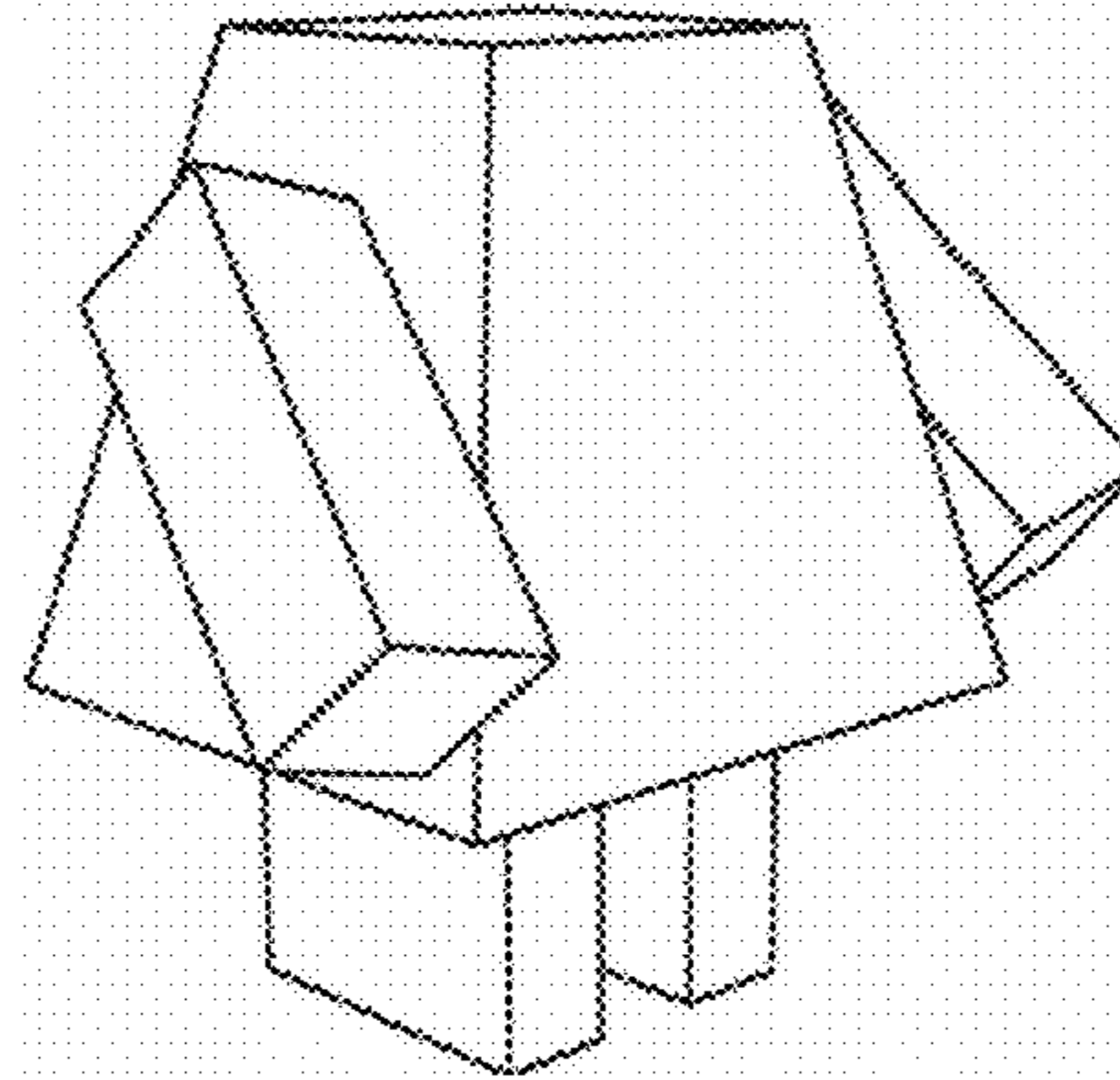


Fig - 2

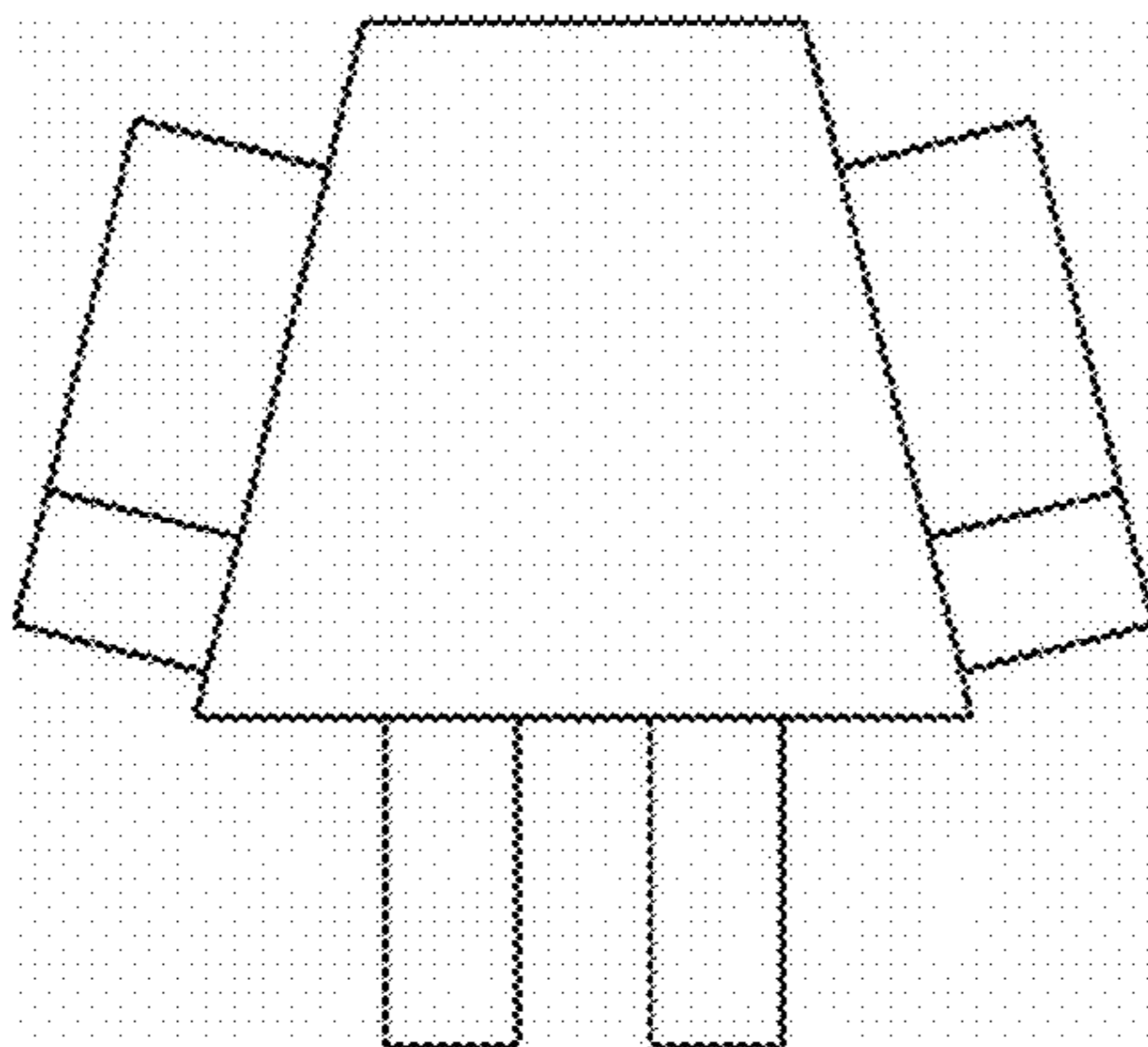


Fig - 3

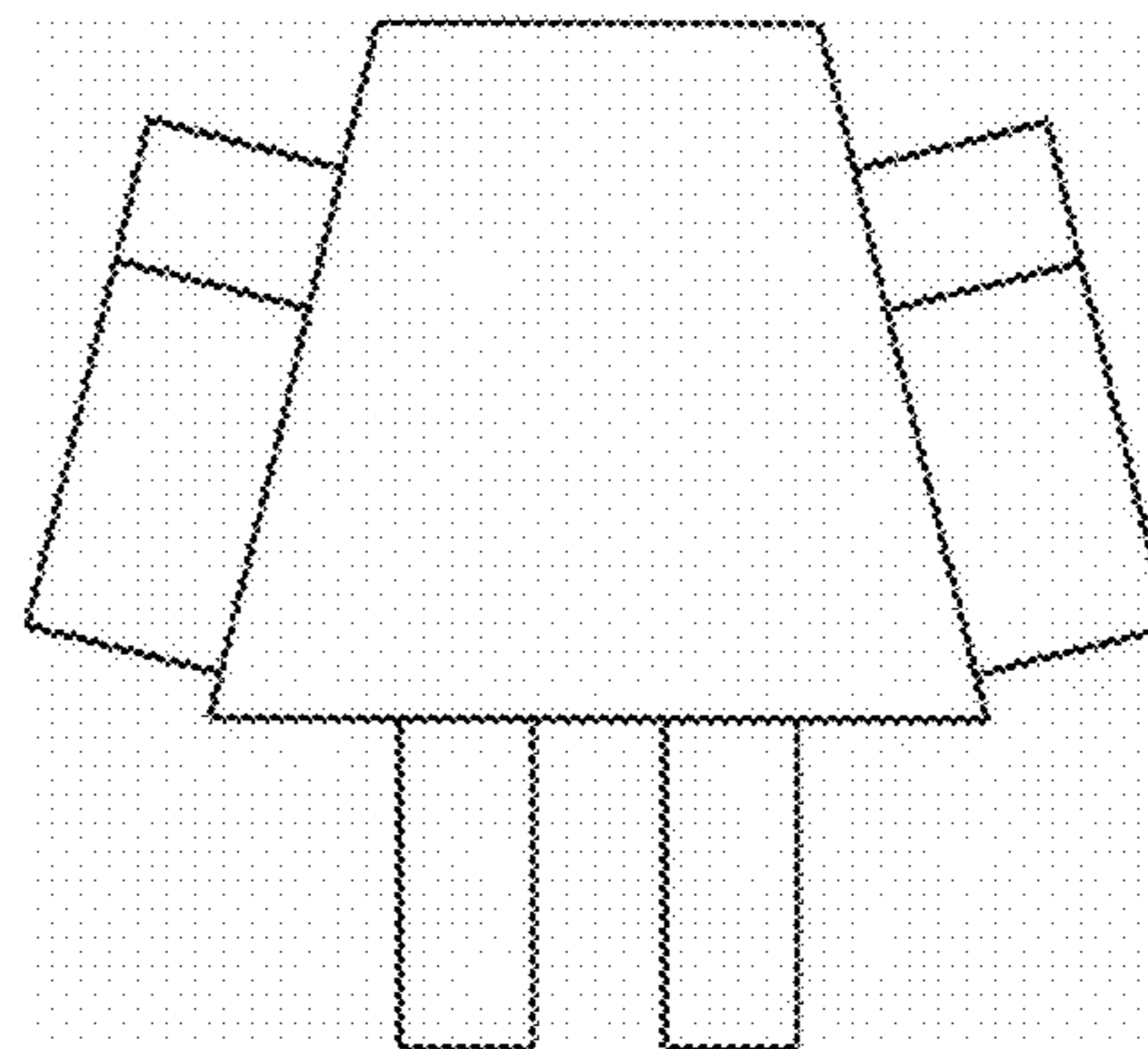


Fig- 4

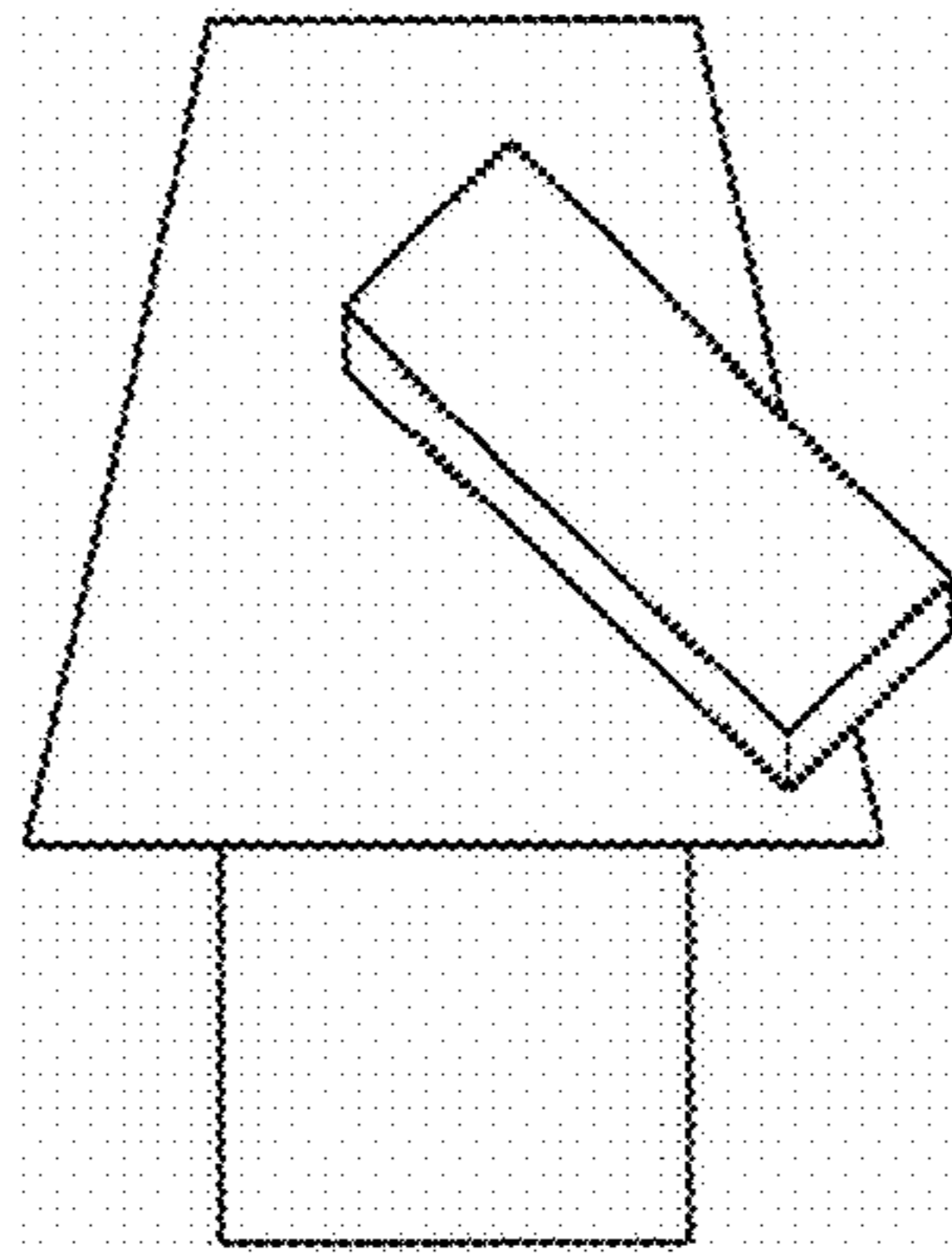


Fig-5

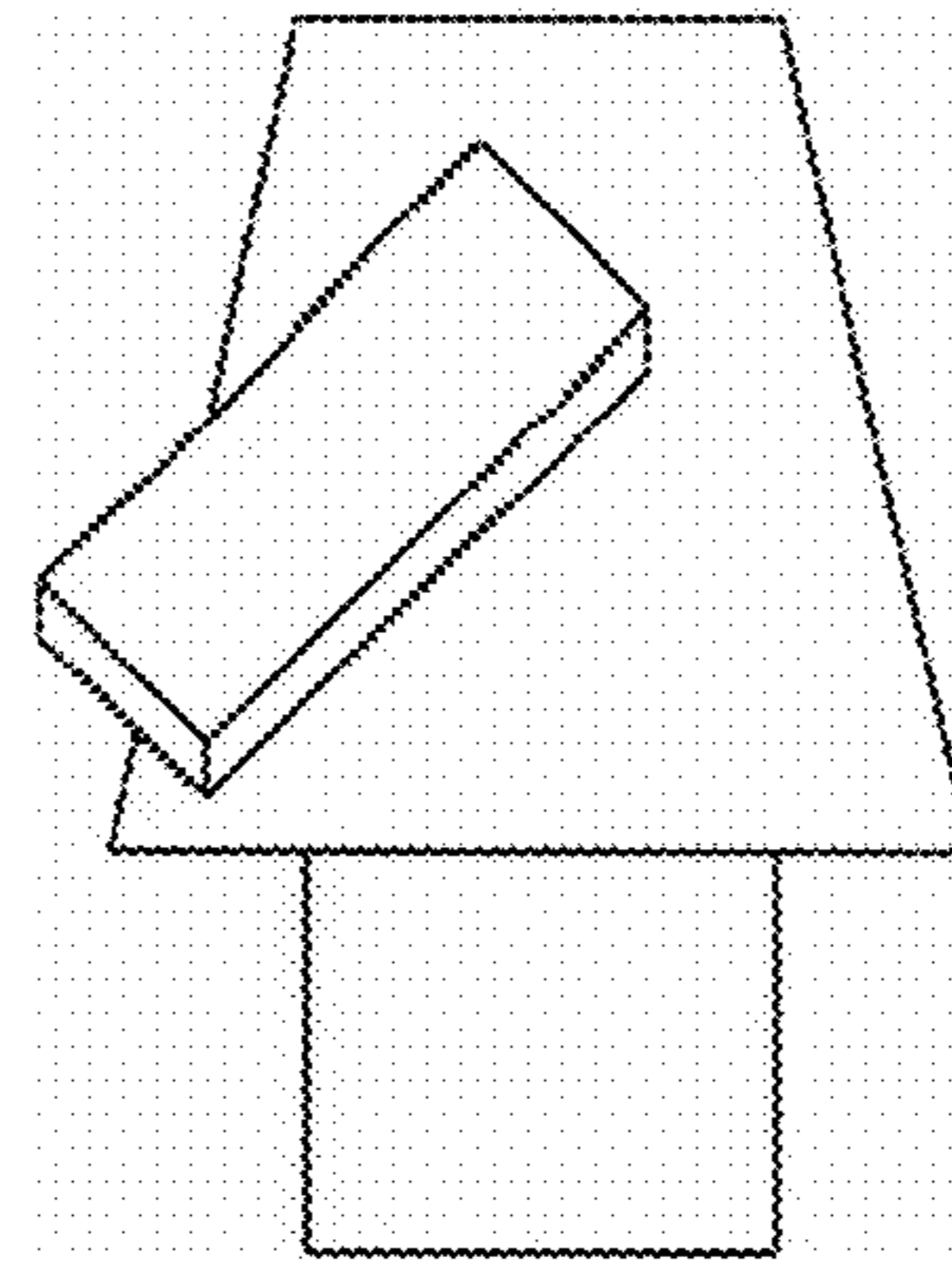


Fig-6

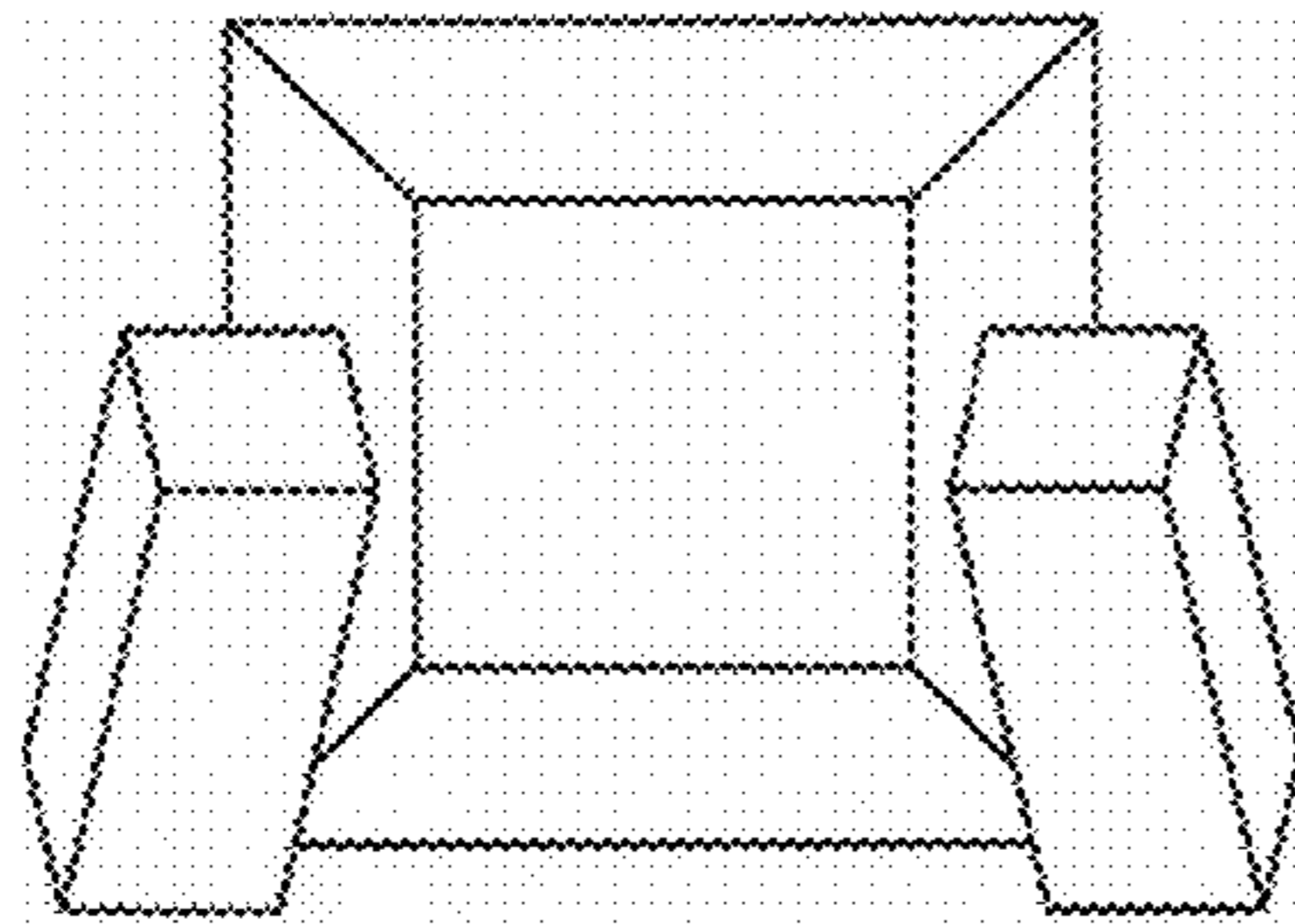


Fig- 7

