



US00D858655S

(12) **United States Design Patent** (10) **Patent No.:** **US D858,655 S**
Bernal (45) **Date of Patent:** **** Sep. 3, 2019**

(54) **DART PROJECTILE**
(71) Applicant: **Hasbro, Inc.**, Pawtucket, RI (US)
(72) Inventor: **Dennis Bernal**, Milford, MA (US)
(73) Assignee: **HASBRO, INC.**, Pawtucket, RI (US)
(**) Term: **15 Years**
(21) Appl. No.: **29/655,014**
(22) Filed: **Jun. 29, 2018**
(51) **LOC (12) Cl.** **21-01**
(52) **U.S. Cl.**
USPC **D21/570**; D21/387
(58) **Field of Classification Search**
USPC D21/387, 392, 397, 570
CPC A63F 7/0017; A63F 7/0023; A63F 9/02;
A63F 9/0278; A63F 9/20; A63F
2009/0265; A63B 65/02; F42B 6/00;
F42B 6/003; F41B 7/00; F41B 7/08
See application file for complete search history.

6,159,117 A 12/2000 Chan
D437,620 S 2/2001 Smith et al.
6,186,071 B1 2/2001 Fry
6,595,880 B2 7/2003 Becker
7,001,292 B1 2/2006 Rappaport
7,604,556 B2* 10/2009 Witzigreuter F42B 12/40
102/513
7,775,918 B2 8/2010 Tsang
7,874,947 B1 1/2011 Wolfinbarger et al.
8,012,049 B1 9/2011 Walterscheid
8,025,596 B2 9/2011 Klein
8,075,579 B2 12/2011 Hamada
8,449,413 B1 5/2013 Jackson et al.
8,616,934 B1* 12/2013 Kern A63H 37/00
446/400
8,617,010 B2 12/2013 Marshall, Jr.

(Continued)

Primary Examiner — Cynthia M. Chin
(74) *Attorney, Agent, or Firm* — Perry Hoffman

(57) **CLAIM**

The ornamental design for a dart projectile, as shown and described.

DESCRIPTION

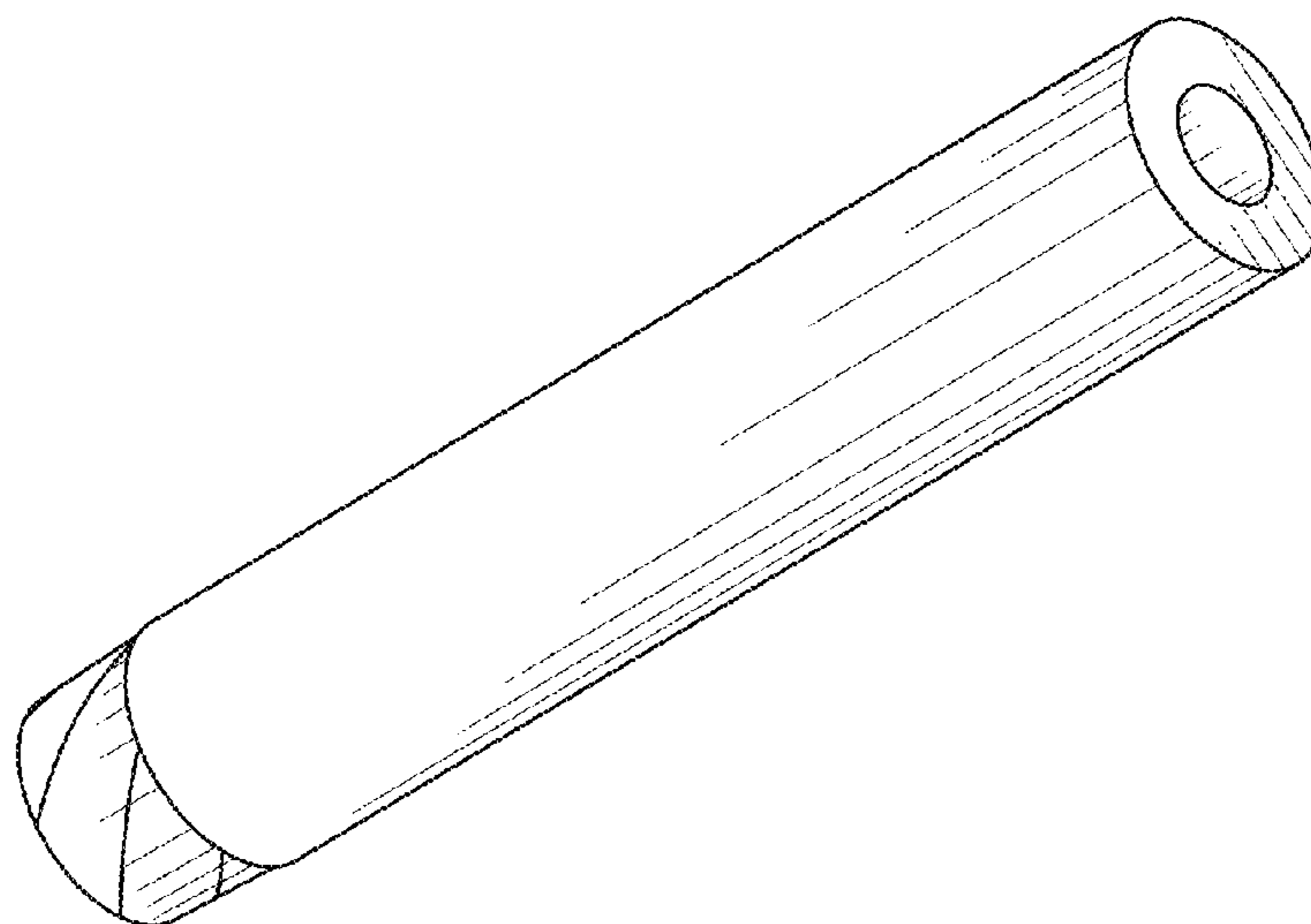
FIG. 1 is a front perspective view of the dart projectile of the instant invention;
FIG. 2 is a rear perspective view of the dart projectile of the instant invention;
FIG. 3 is a right side elevational view thereof;
FIG. 4 is a left side elevational view thereof;
FIG. 5 is a front view thereof;
FIG. 6 is a rear view thereof;
FIG. 7 is a top view thereof; and,
FIG. 8 is a bottom view thereof.
The broken lines shown are included for the purpose of illustrating the unclaimed portions of the article and form no part of the claimed design.

1 Claim, 2 Drawing Sheets

(56) **References Cited**

U.S. PATENT DOCUMENTS

D33,153 S 11/1900 Cornell
2,125,591 A 8/1938 Smith
2,888,004 A * 5/1959 Steiner F41B 7/003
124/16
3,026,864 A 3/1962 Gray
3,108,395 A 10/1963 Goldfarb
D217,479 S 5/1970 Odette
3,801,102 A 4/1974 Lohr et al.
D253,663 S 12/1979 Cagan et al.
5,273,293 A 12/1993 Lekavich
5,290,041 A 3/1994 Kettelson
5,928,049 A 7/1999 Hudson
6,010,419 A 1/2000 Rappaport et al.
6,042,494 A 3/2000 Rappaport et al.
6,083,127 A * 7/2000 O'Shea A63H 33/18
446/213



(56)

References Cited

U.S. PATENT DOCUMENTS

| | | | | |
|--------------|------|---------|---------------------|-----------------------|
| 8,968,126 | B2 * | 3/2015 | Chia | F42B 6/08 473/578 |
| D733,806 | S * | 7/2015 | Hedeem, Jr. | D21/567 |
| 9,261,336 | B2 | 2/2016 | Chang et al. | |
| D791,246 | S | 7/2017 | Foley | |
| D802,681 | S * | 11/2017 | Falkowski, II | D21/387 |
| 10,018,451 | B1 * | 7/2018 | Ma | F42B 6/003 |
| 10,030,950 | B1 * | 7/2018 | Chia | F42B 6/08 |
| D846,030 | S * | 4/2019 | Brown | D21/387 |
| 2003/0153417 | A1 | 8/2003 | Barrie et al. | |
| 2006/0046877 | A1 * | 3/2006 | Gajda, Jr. | F42B 6/10 473/572 |
| 2006/0225717 | A1 * | 10/2006 | Ma | F41B 11/73 124/69 |
| 2009/0050010 | A1 * | 2/2009 | Tsang | F42B 6/003 102/502 |
| 2014/0087897 | A1 | 3/2014 | Nally | |
| 2014/0274501 | A1 | 9/2014 | Chang et al. | |
| 2015/0018144 | A1 * | 1/2015 | Chia | F42B 12/34 473/582 |
| 2016/0018173 | A1 * | 1/2016 | Lallier | F41A 9/73 124/23.1 |

* cited by examiner

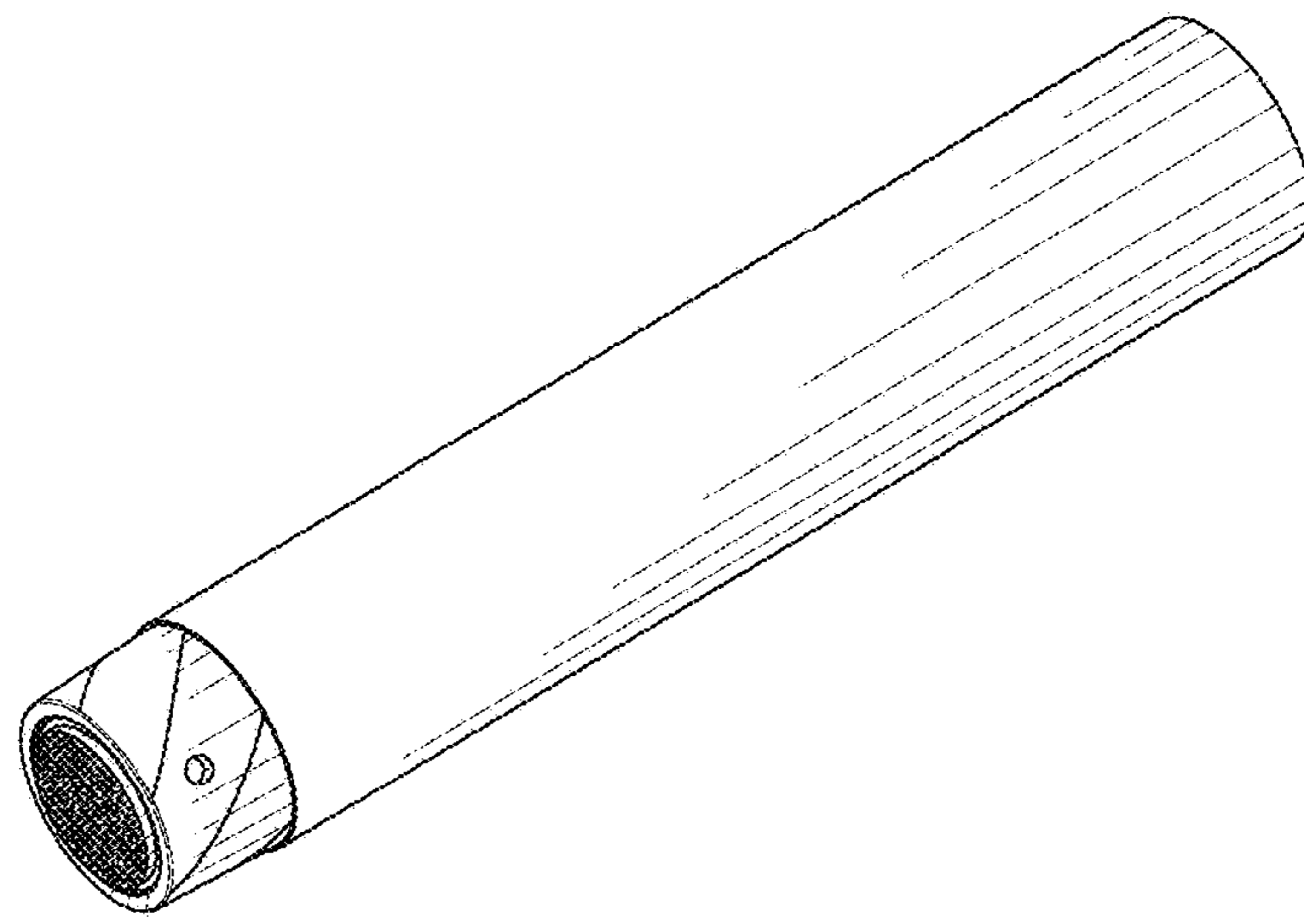


FIG. 1

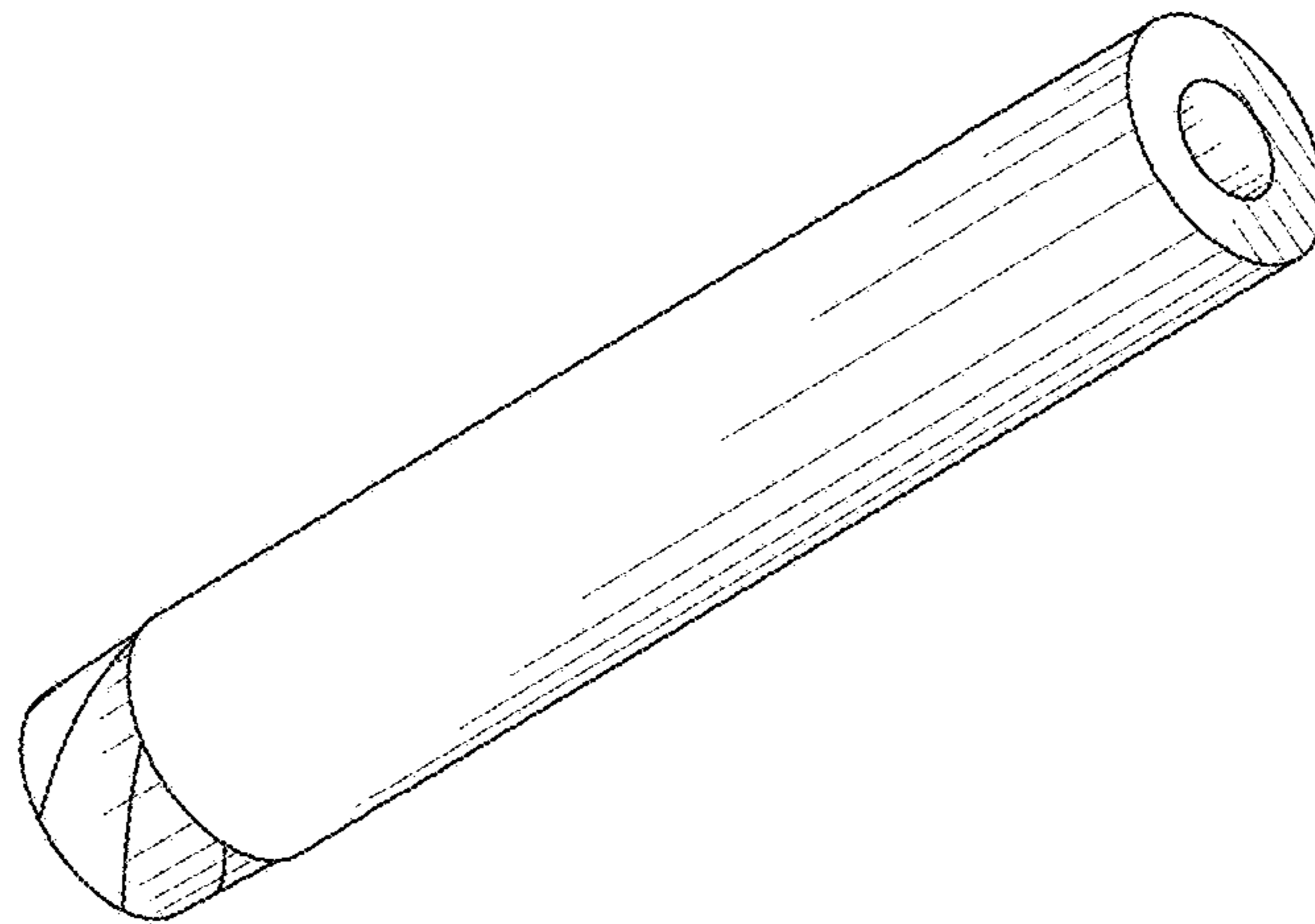


FIG. 2

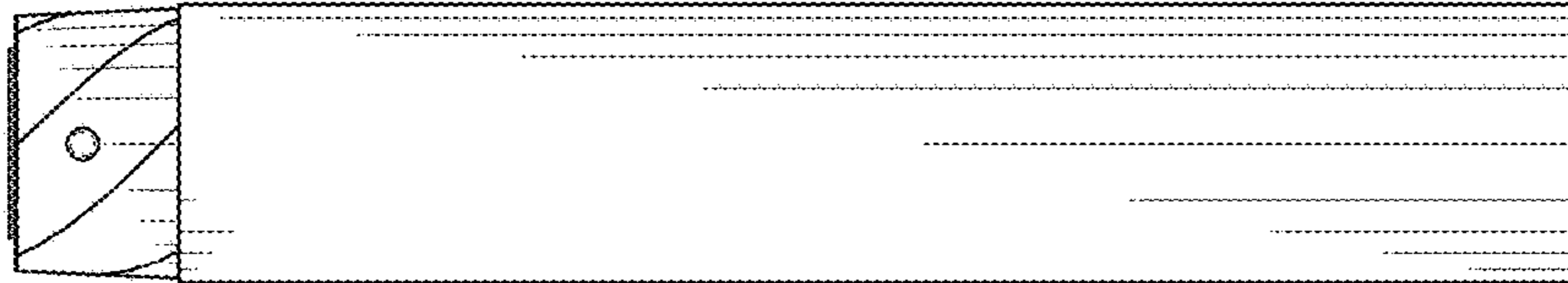


FIG. 3

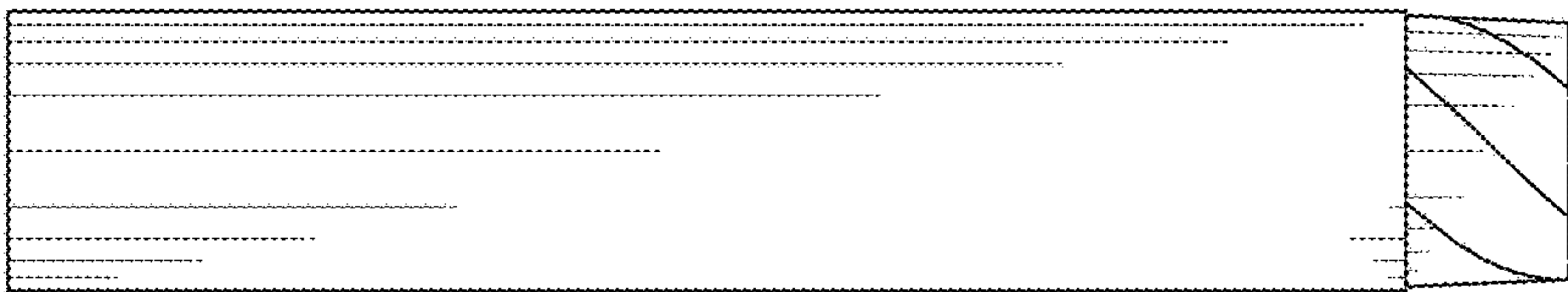


FIG. 4

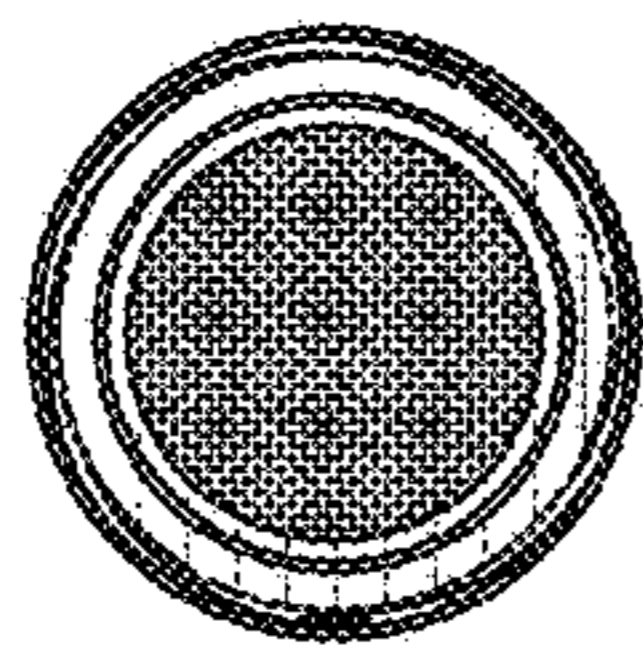


FIG. 5

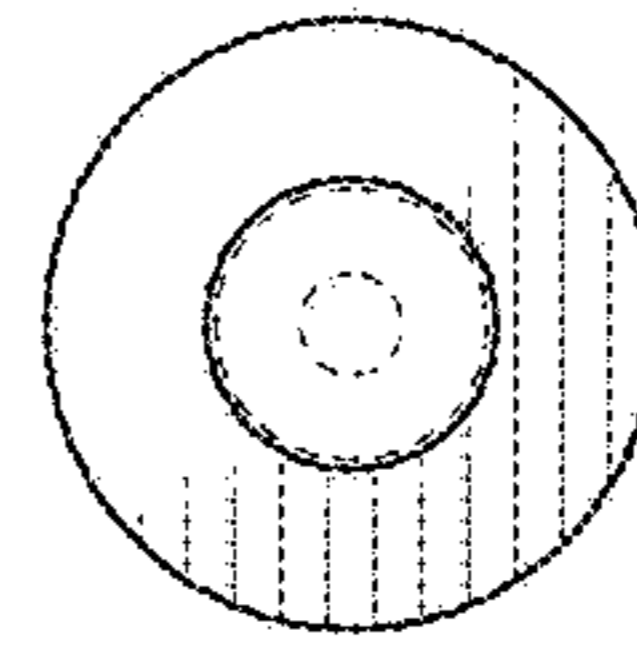


FIG. 6

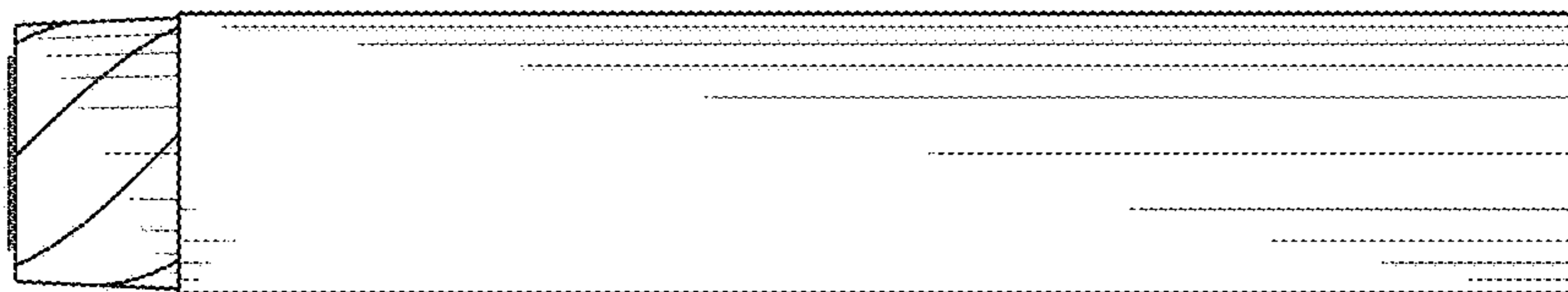


FIG. 7

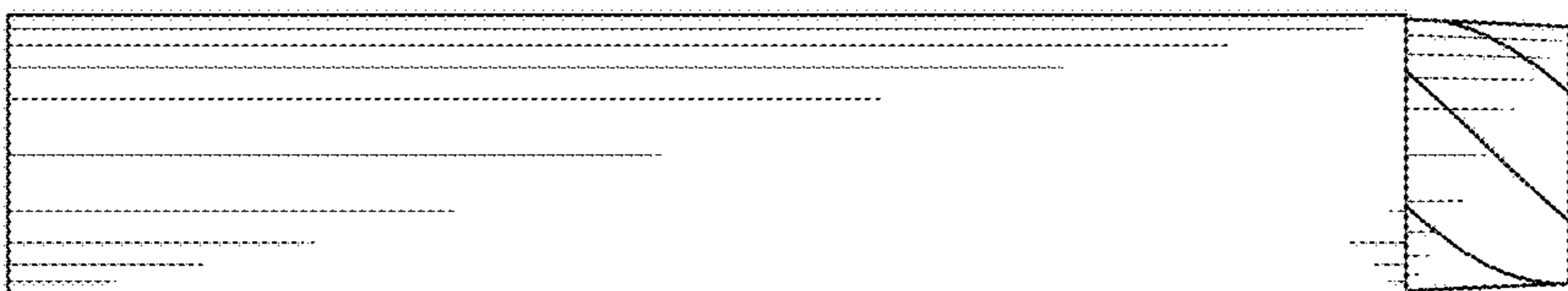


FIG. 8