



US00D858652S

(12) **United States Design Patent** (10) **Patent No.:** **US D858,652 S**  
**Wilson** (45) **Date of Patent:** **\*\* Sep. 3, 2019**

(54) **TOY BUILDING BRICK**

(71) Applicant: **LEGO A/S**, Billund (DK)

(72) Inventor: **Simon Wilson**, Vejle (DK)

(73) Assignee: **LEGO A/S**, Billund (DK)

(\*\*) Term: **15 Years**

(21) Appl. No.: **29/645,229**

(22) Filed: **Apr. 24, 2018**

**Related U.S. Application Data**

(62) Division of application No. 35/502,465, filed on Dec. 8, 2016 (U.S. filing date under 35 U.S.C. 384), and having an international filing date of Dec. 8, 2016, now Pat. No. Des. 830,477.

(51) **LOC (12) Cl.** ..... **21-01**

(52) **U.S. Cl.**  
USPC ..... **D21/500**

(58) **Field of Classification Search**  
USPC ..... D21/386, 389, 404, 468, 470, 471,  
D21/484-505

CPC ..... A63H 33/00; A63H 33/04; A63H 33/044;  
A63H 33/06; A63H 33/08; A63H 33/084;  
A63H 33/086; A63H 33/088; A63H  
33/10; A63H 33/12; A63H 33/105; A63H  
33/108; A63H 3/00; A63H 3/16; A63H  
3/46; E04C 1/00; E04C 1/40; E04B 2/14;  
E04B 2/16; E04B 2/18

See application file for complete search history.

(56) **References Cited**

**U.S. PATENT DOCUMENTS**

D239,647 S \* 4/1976 Knudsen ..... D21/658  
D420,711 S \* 2/2000 Glickman ..... D21/503  
D688,328 S \* 8/2013 Holm ..... D21/484  
D695,851 S \* 12/2013 Holm ..... D21/504  
D834,104 S \* 11/2018 Bilodeau ..... D21/484

\* cited by examiner

*Primary Examiner* — Zenia I Bennett

(74) *Attorney, Agent, or Firm* — Day Pitney LLP

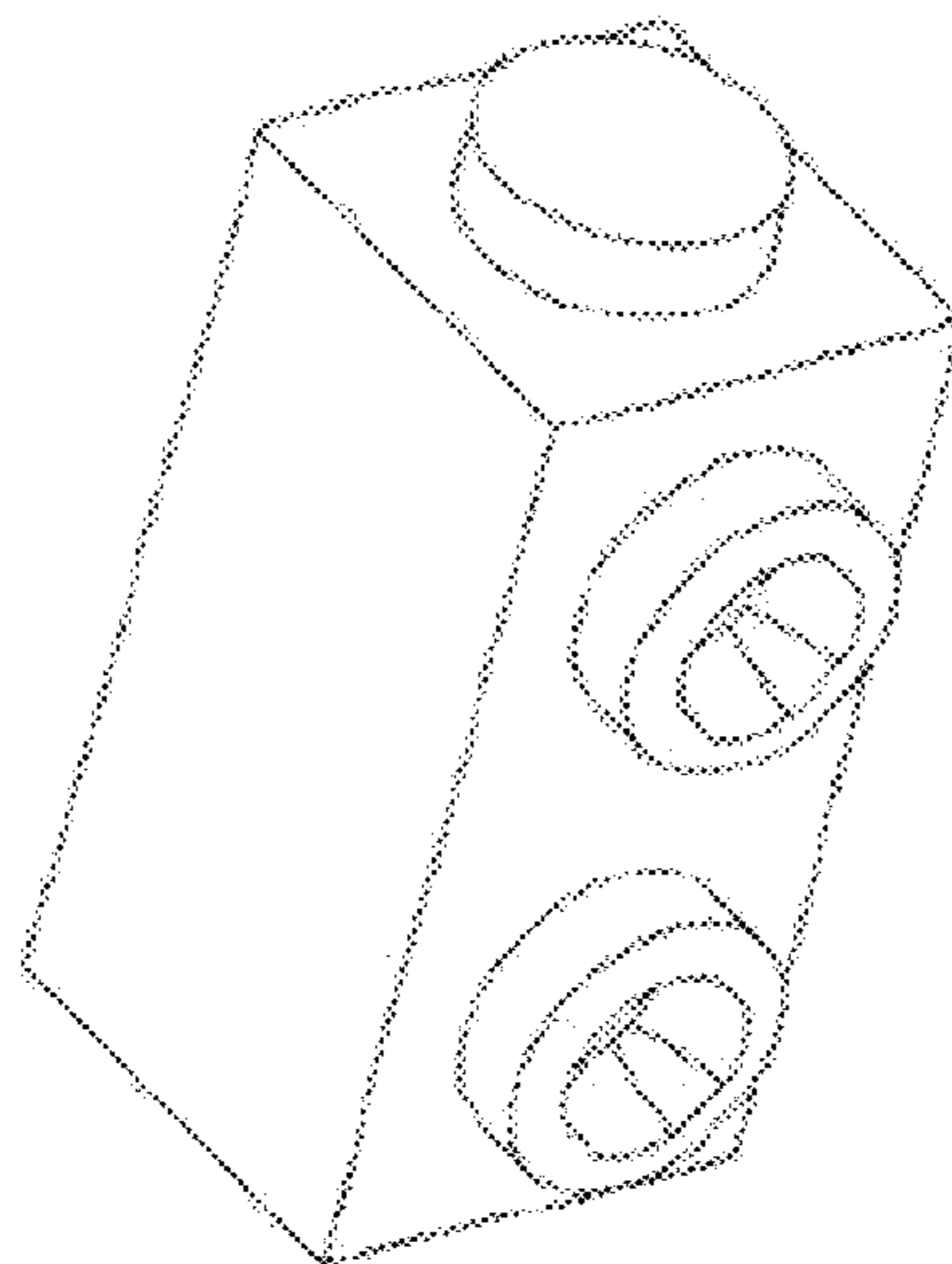
(57) **CLAIM**

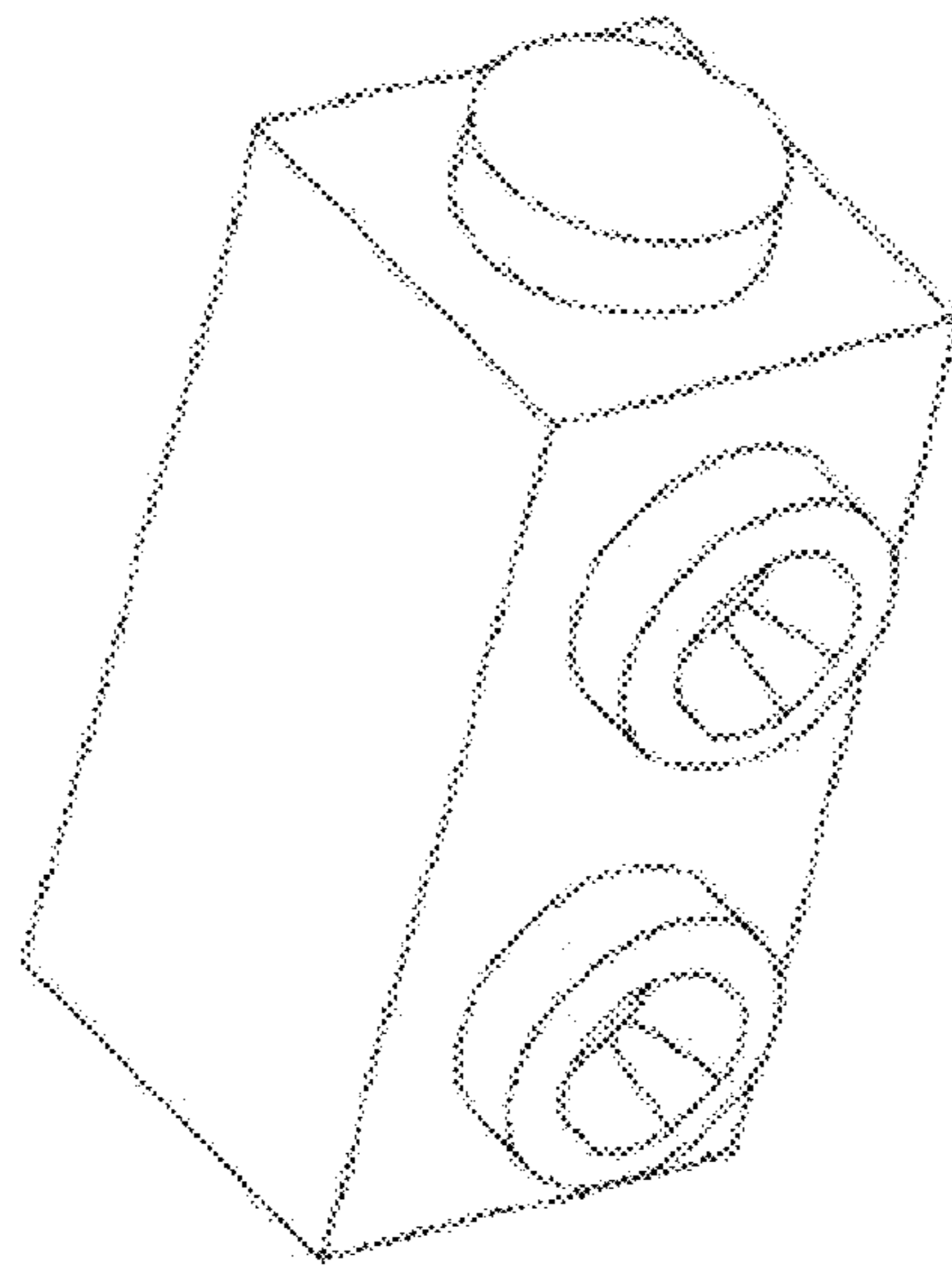
The ornamental design for toy building brick, as shown and described.

**DESCRIPTION**

FIG. 1 is a front perspective view of my ornamental design for toy building brick;  
FIG. 2 is a top plan view thereof;  
FIG. 3 is a left side elevational view thereof;  
FIG. 4 is a rear elevational view thereof;  
FIG. 5 is a right side elevational view thereof;  
FIG. 6 is a front elevational view thereof;  
FIG. 7 is a bottom plan view thereof; and,  
FIG. 8 is a bottom perspective view thereof.

**1 Claim, 8 Drawing Sheets**





**FIG. 1**

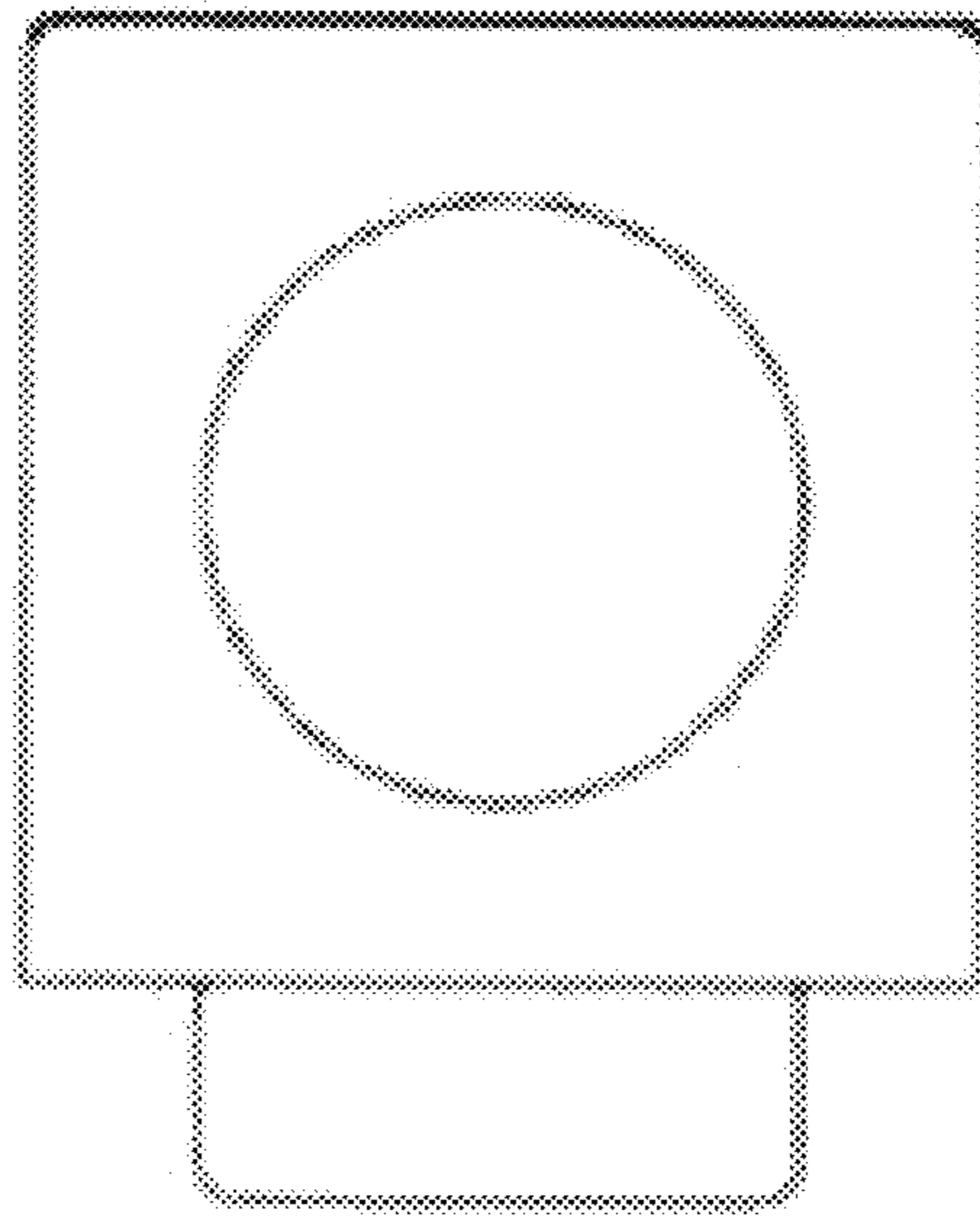
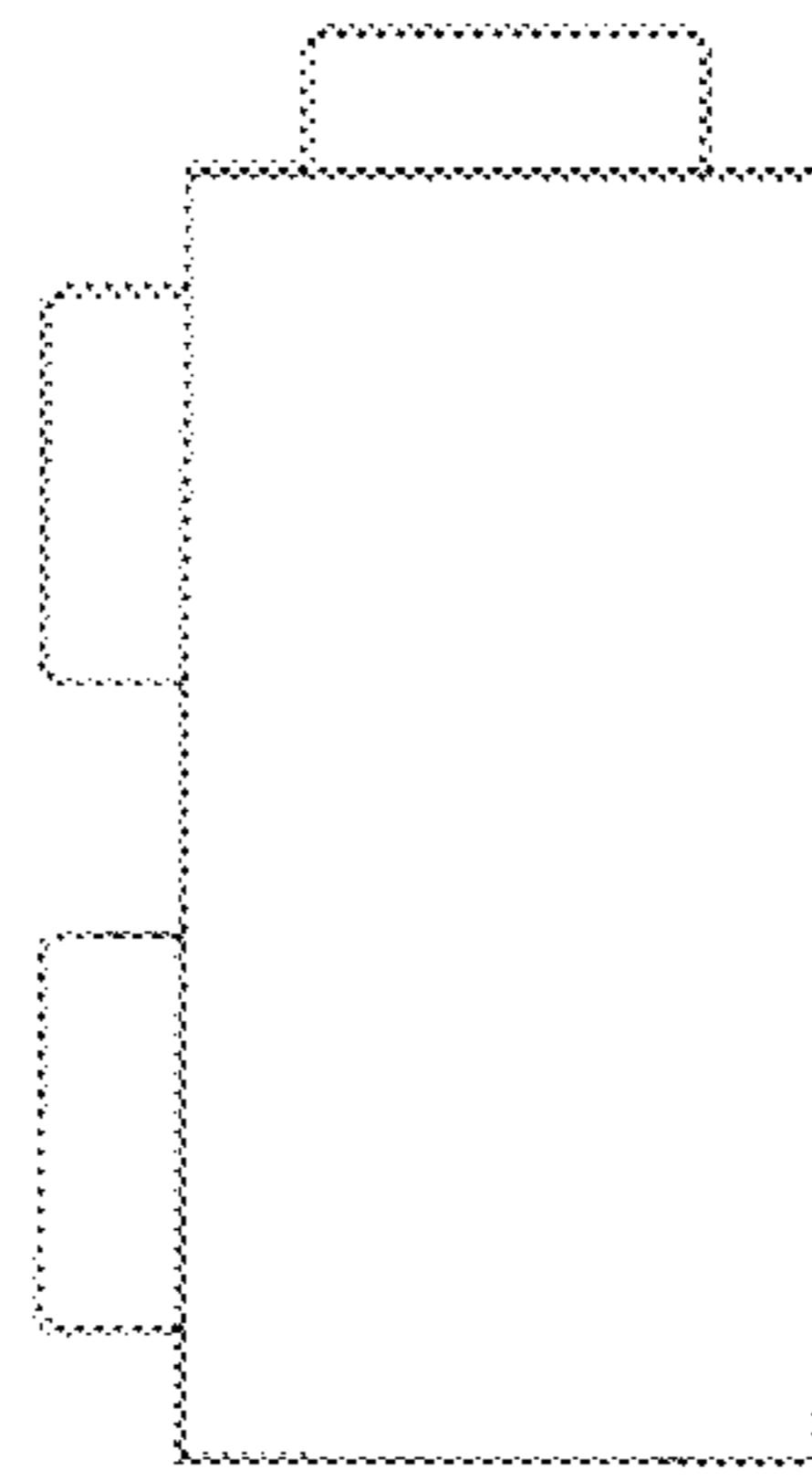
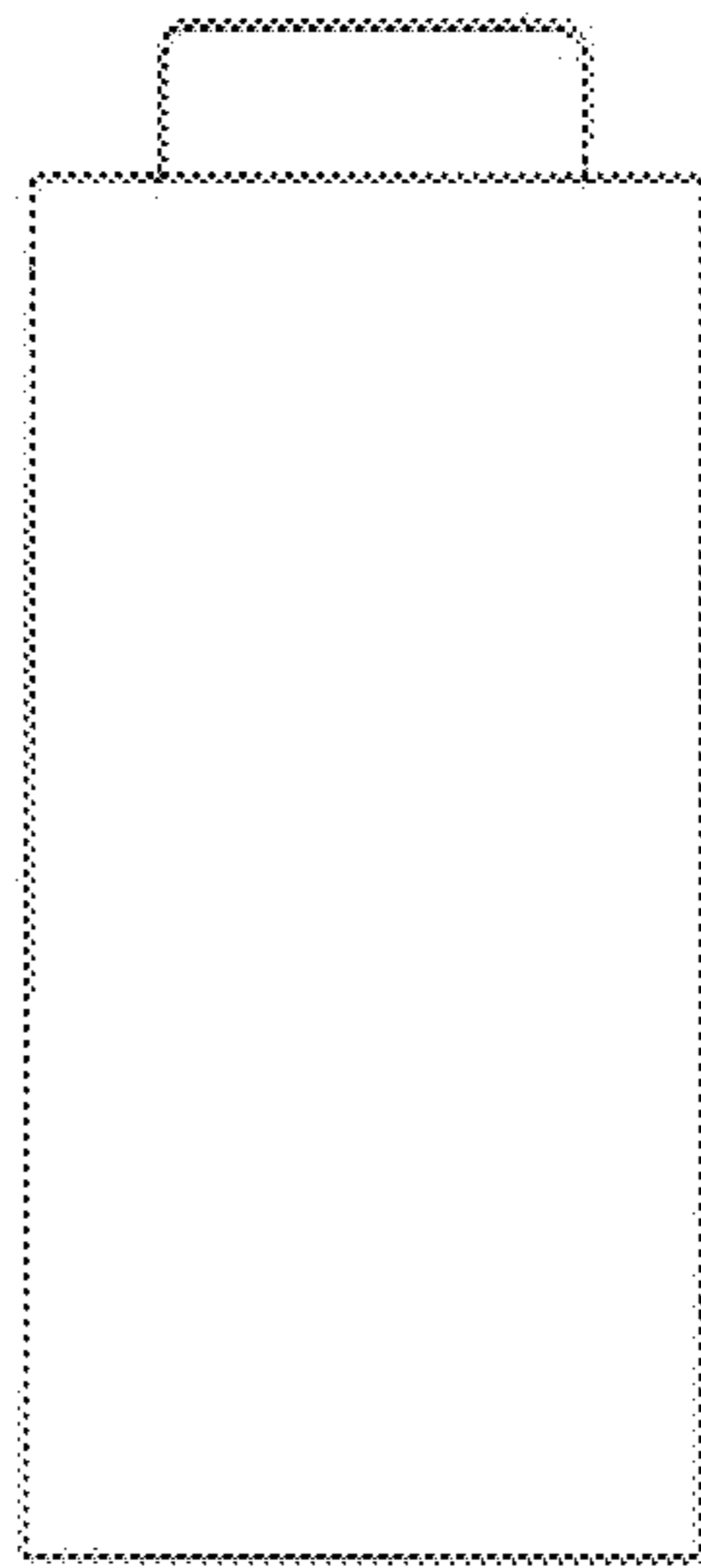


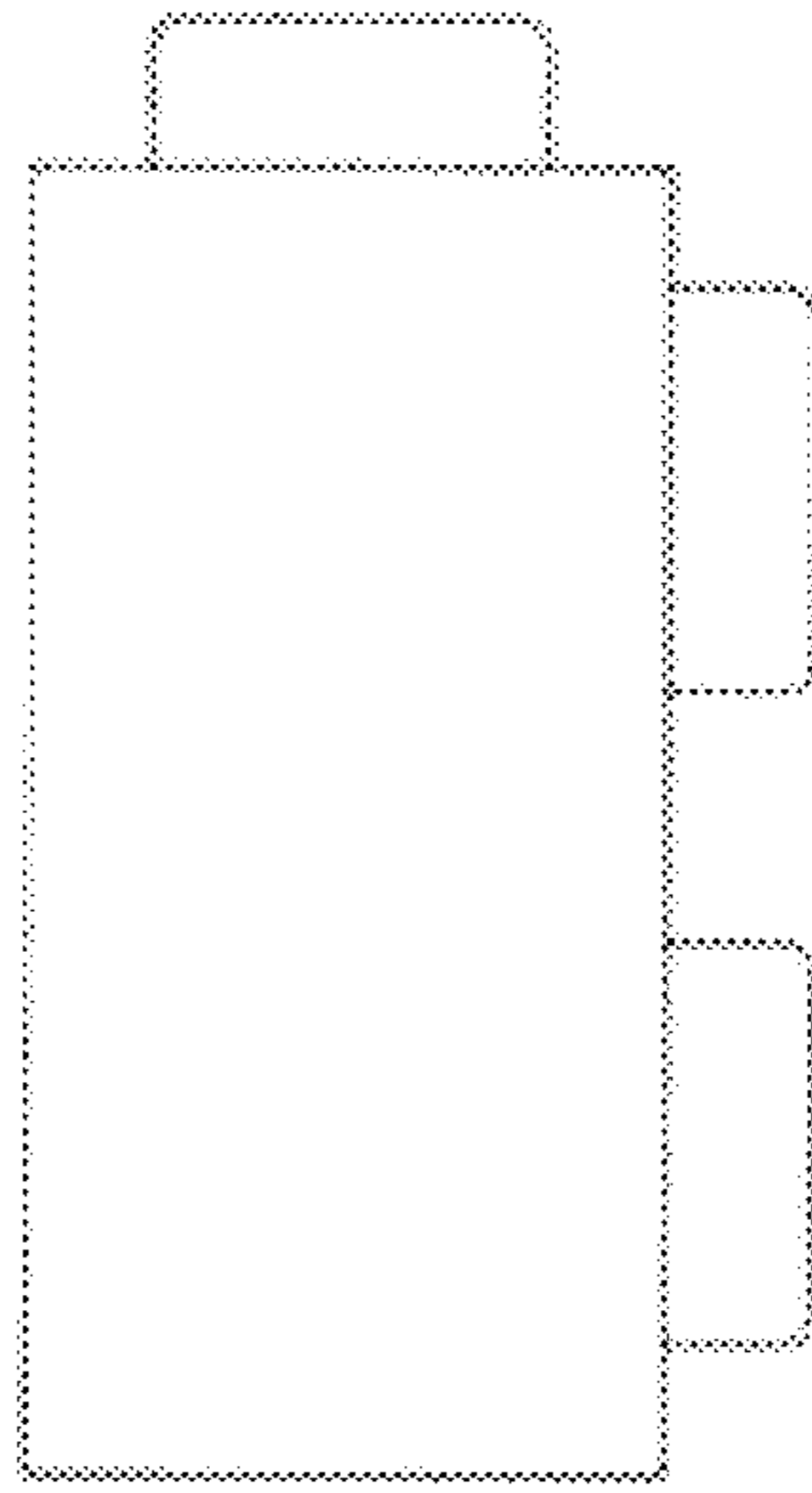
FIG. 2



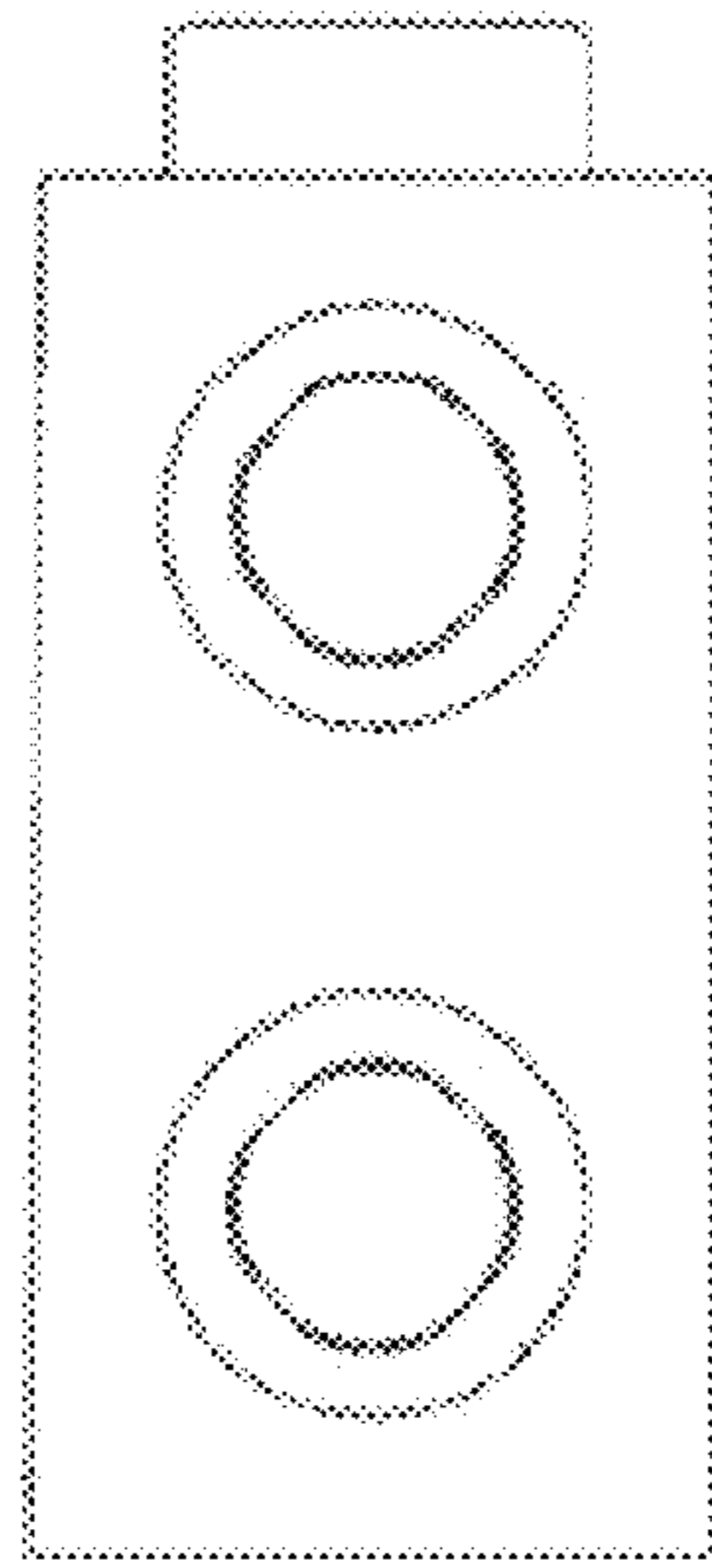
**FIG. 3**



**FIG. 4**



**FIG. 5**



**FIG. 6**

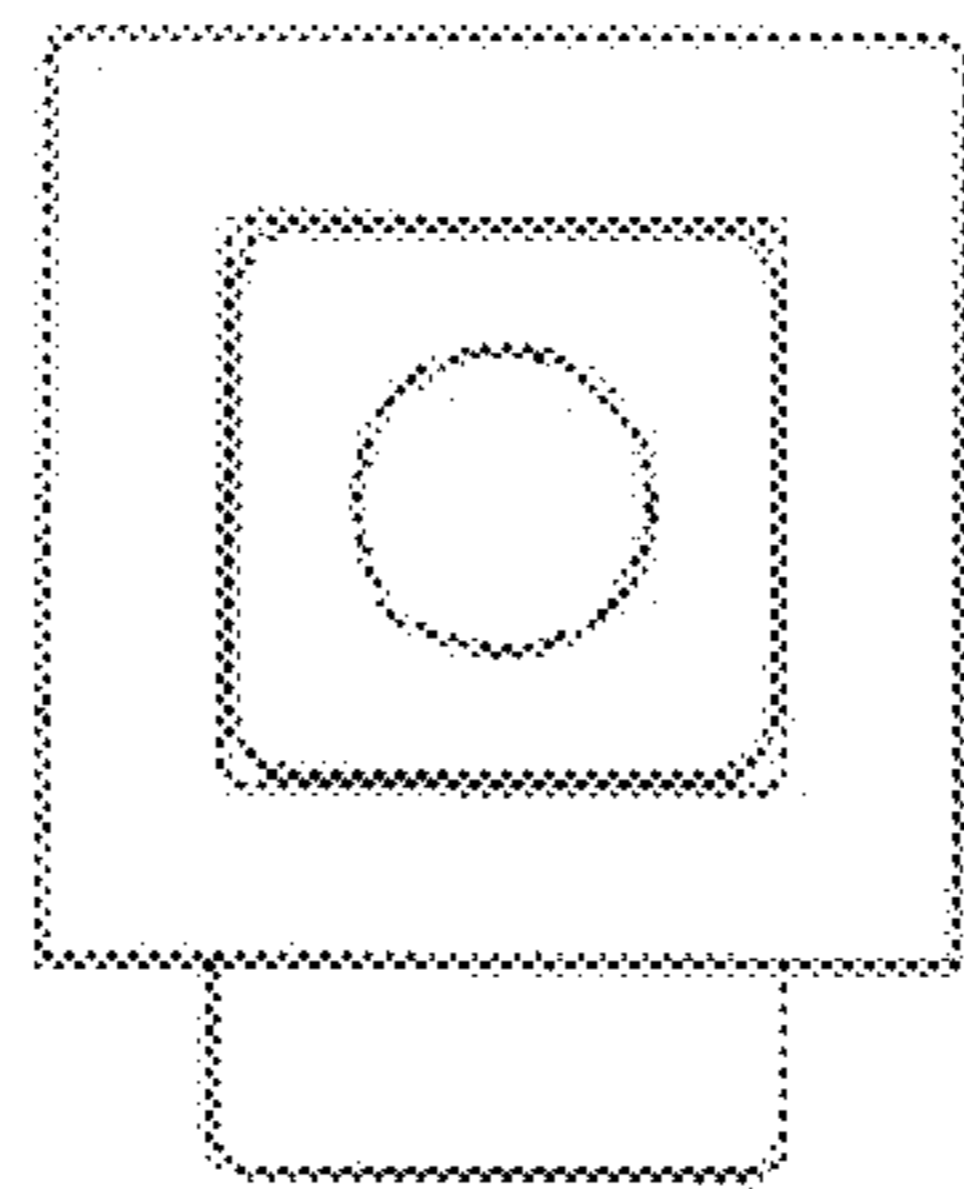


FIG. 7



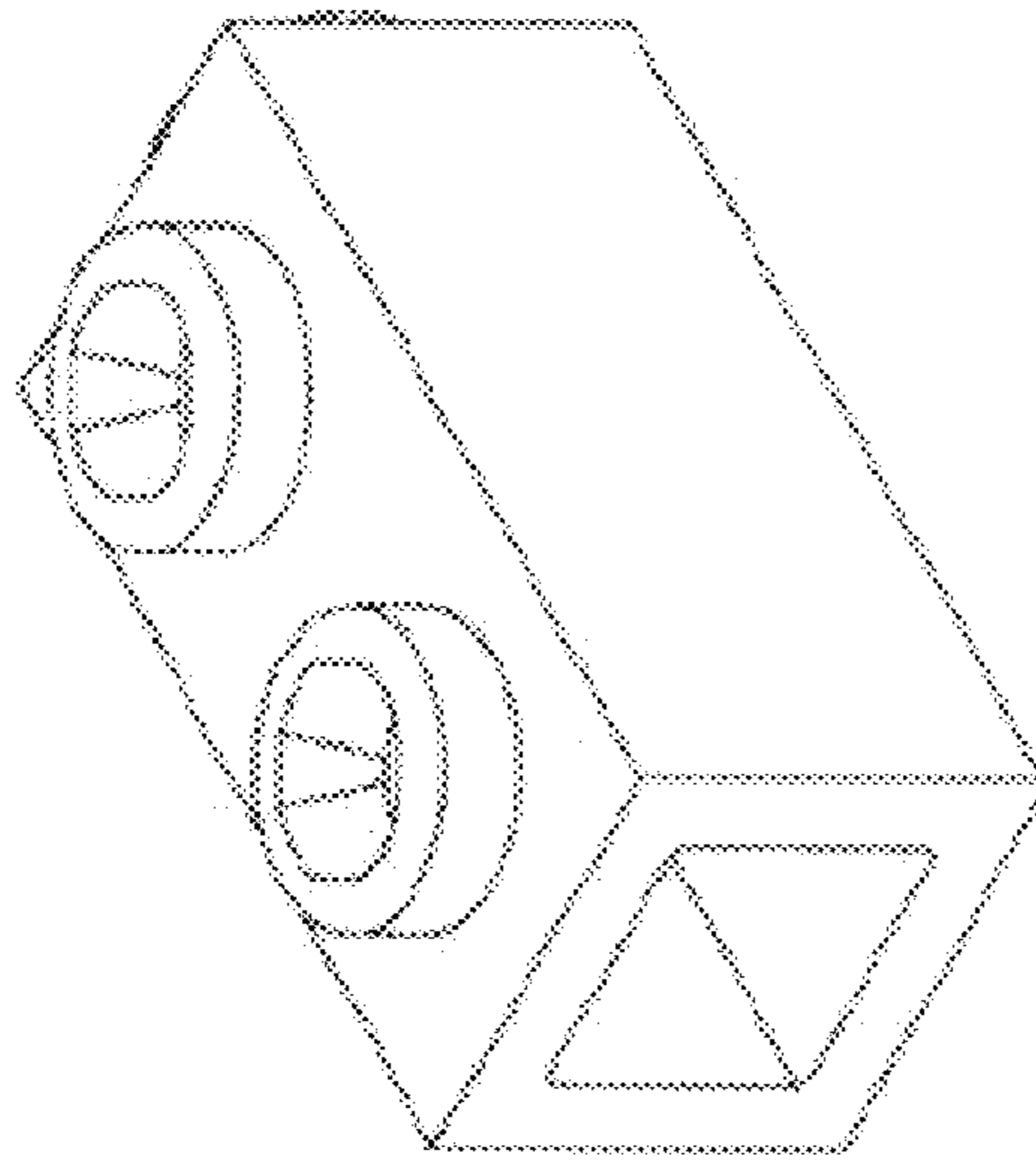


FIG. 8