



US00D858651S

(12) **United States Design Patent** (10) **Patent No.:** **US D858,651 S**
Barwald et al. (45) **Date of Patent:** **** Sep. 3, 2019**

(54) **FINGER GRIPPABLE TOY BRICK**

(71) Applicant: **Brian's Toys Inc.**, Fountain City, WI (US)

(72) Inventors: **Dustin A. Barwald**, Winona, MN (US);
Joshua M. Cherry, Winona, MN (US)

(**) Term: **15 Years**

(21) Appl. No.: **29/622,287**

(22) Filed: **Oct. 16, 2017**

(51) **LOC (12) Cl.** **21-01**

(52) **U.S. Cl.**
USPC **D21/491**

(58) **Field of Classification Search**
USPC D21/468, 470, 471, 478, 479, 484-505;
D25/113, 114, 115
CPC A63H 33/04; A63H 33/044; A63H 33/06;
A63H 33/062; A63H 33/10; A63H
33/101; A63H 33/108
See application file for complete search history.

(56) **References Cited**

U.S. PATENT DOCUMENTS

3,220,141 A * 11/1965 Goss, III A63H 33/084
446/117
5,871,384 A * 2/1999 Kichijo A63H 33/062
446/112

D617,396 S * 6/2010 Nielsen D21/500
D723,111 S * 2/2015 Schutt D21/484
D833,541 S * 11/2018 Barwald D21/491
2013/0330997 A1* 12/2013 Ryaa A63H 33/04
446/85
2013/0330999 A1* 12/2013 Ryaa A63H 33/042
446/124

* cited by examiner

Primary Examiner — Cynthia M. Chin

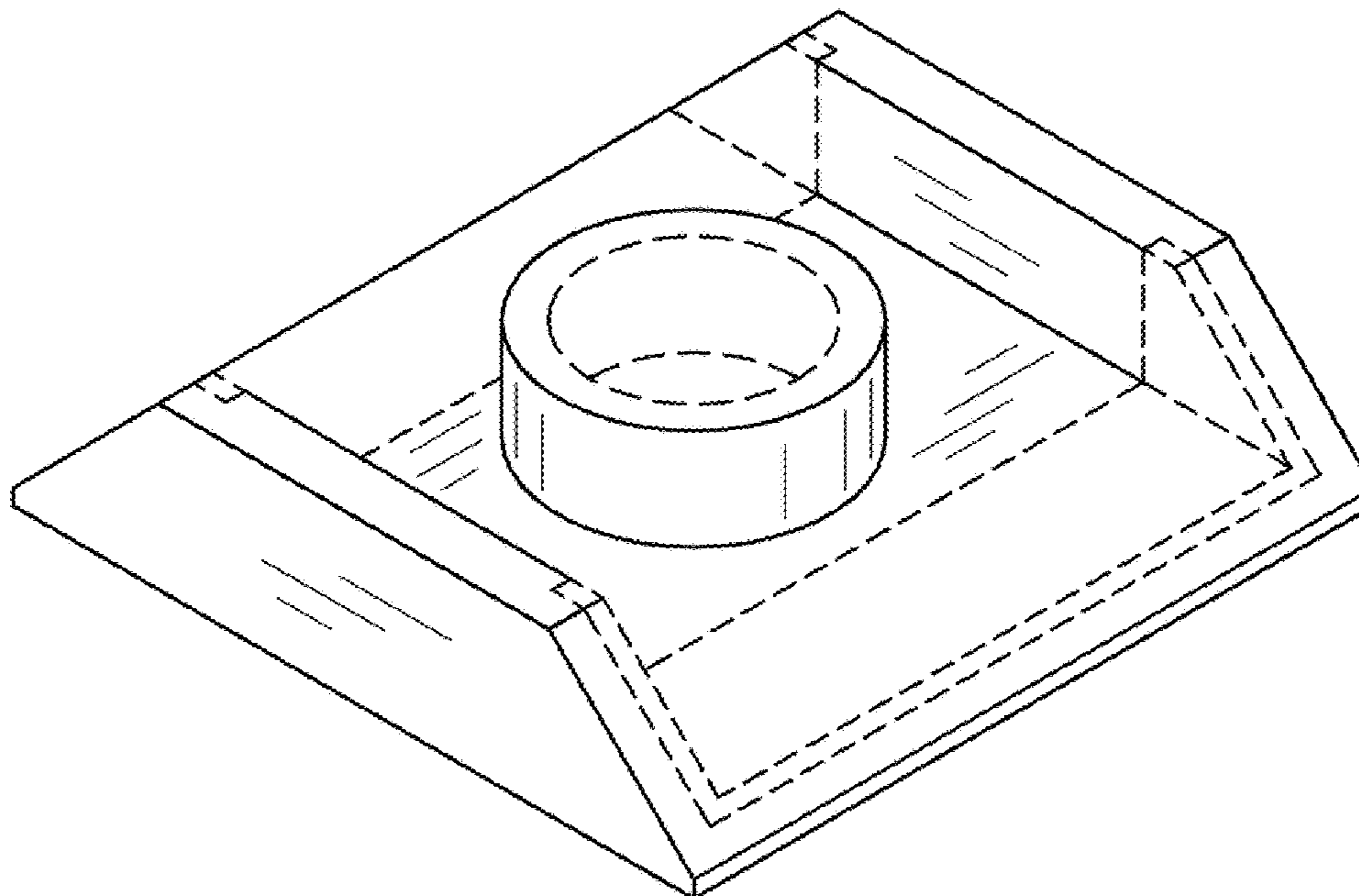
(57) **CLAIM**

The ornamental design for a finger grippable toy brick, as shown and described.

DESCRIPTION

FIG. 1 is a front perspective view of a finger grippable toy brick showing my new design;
FIG. 2 is a bottom perspective view of the finger grippable toy brick;
FIG. 3 is a side view of the finger grippable toy brick;
FIG. 4 is a front view of the finger grippable toy brick; and,
FIG. 5 is a top bottom view of the finger grippable toy brick.
The broken lines shown are included for the purpose of illustrating portions of the article which form no portion of the claimed invention.

1 Claim, 3 Drawing Sheets



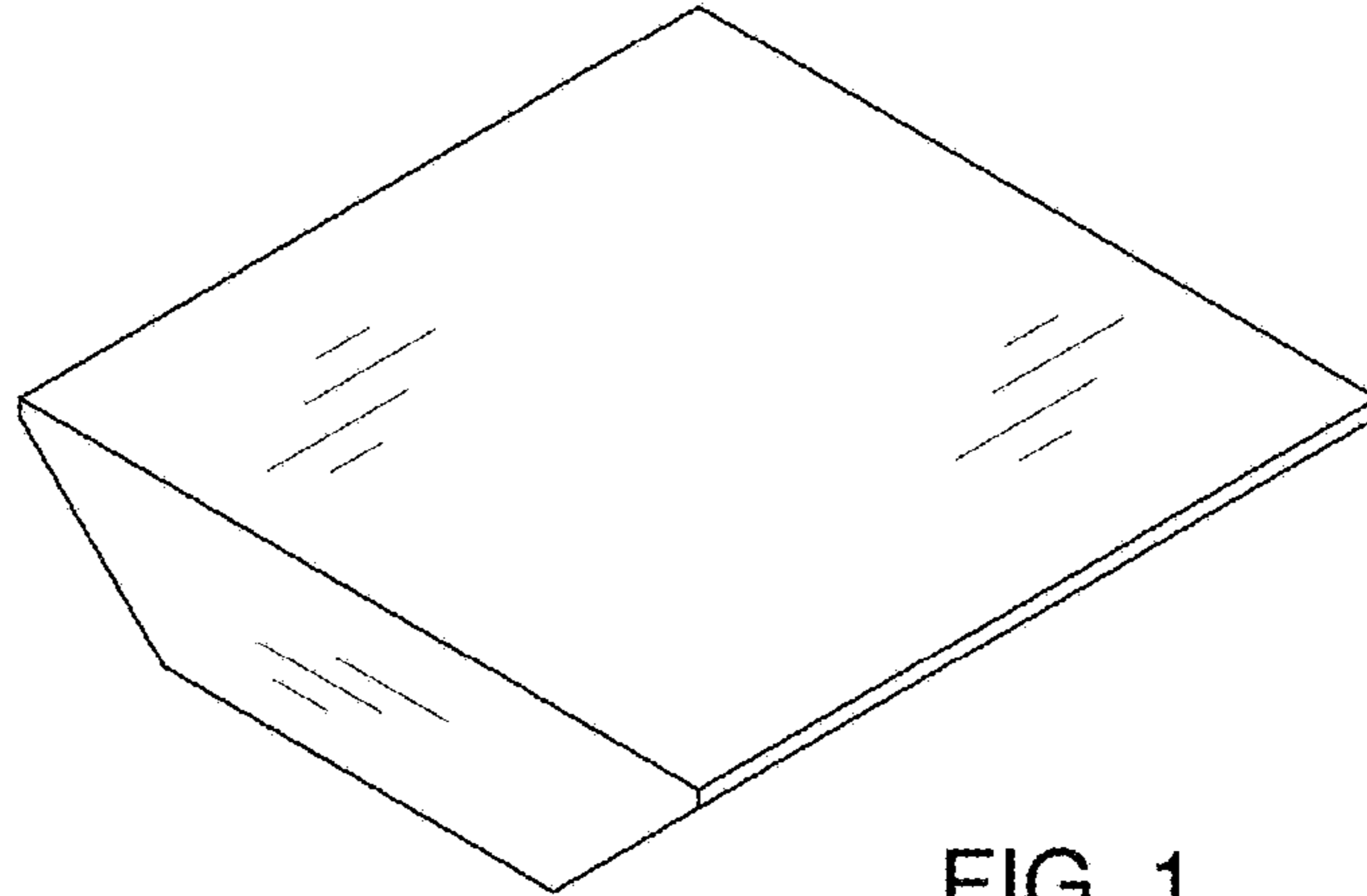


FIG. 1

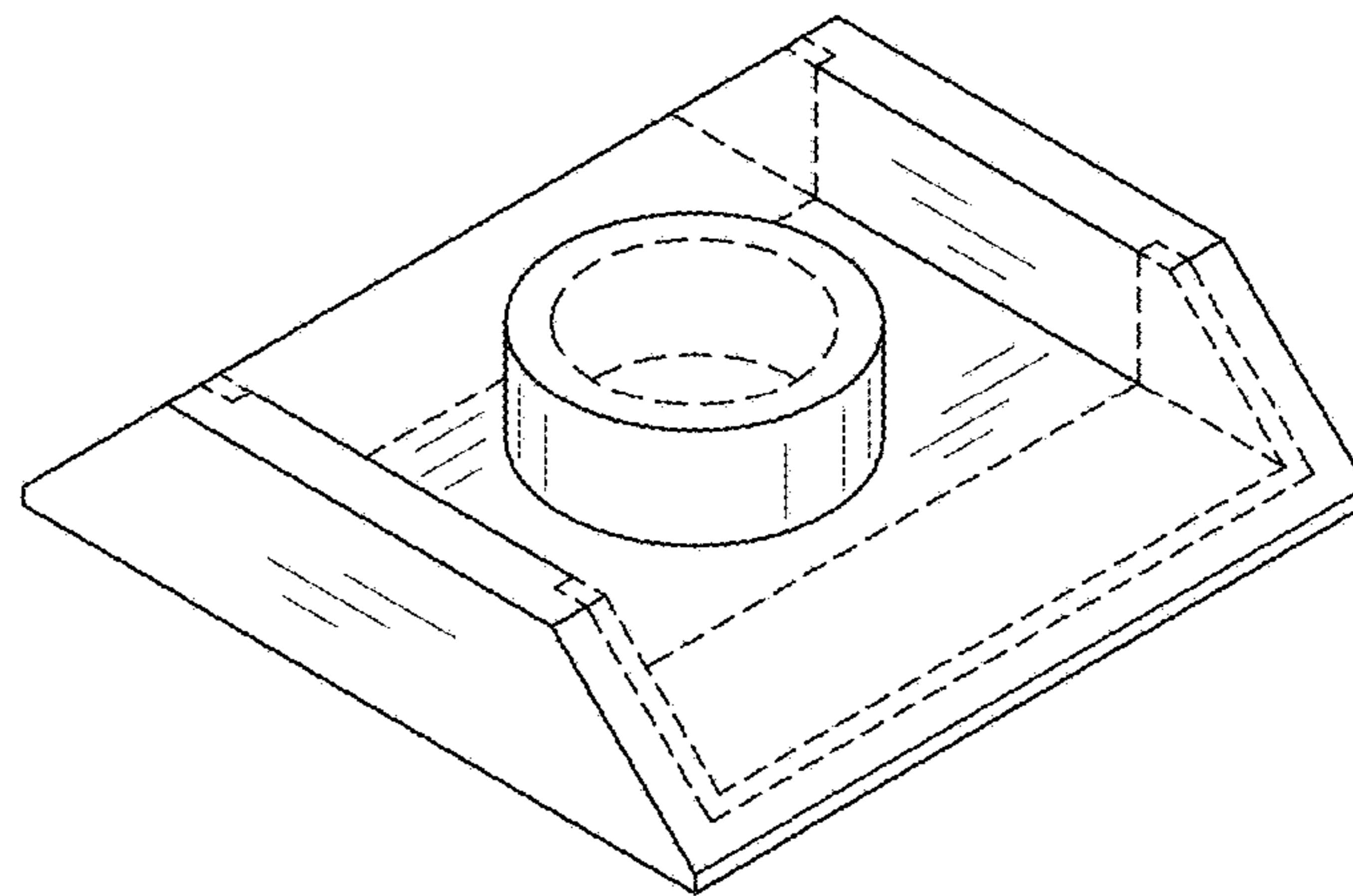


FIG. 2

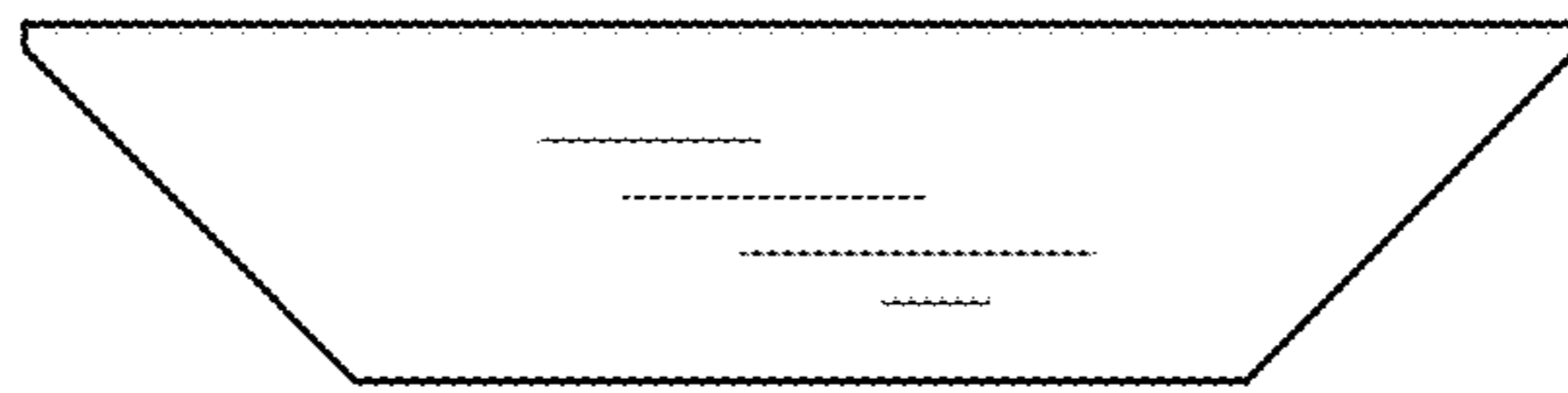


FIG. 3

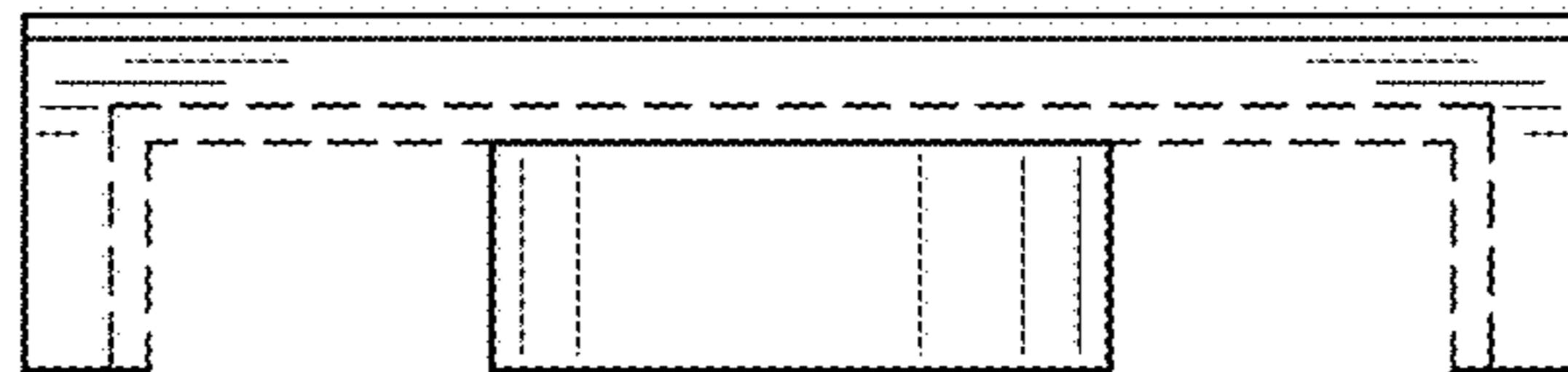


FIG. 4

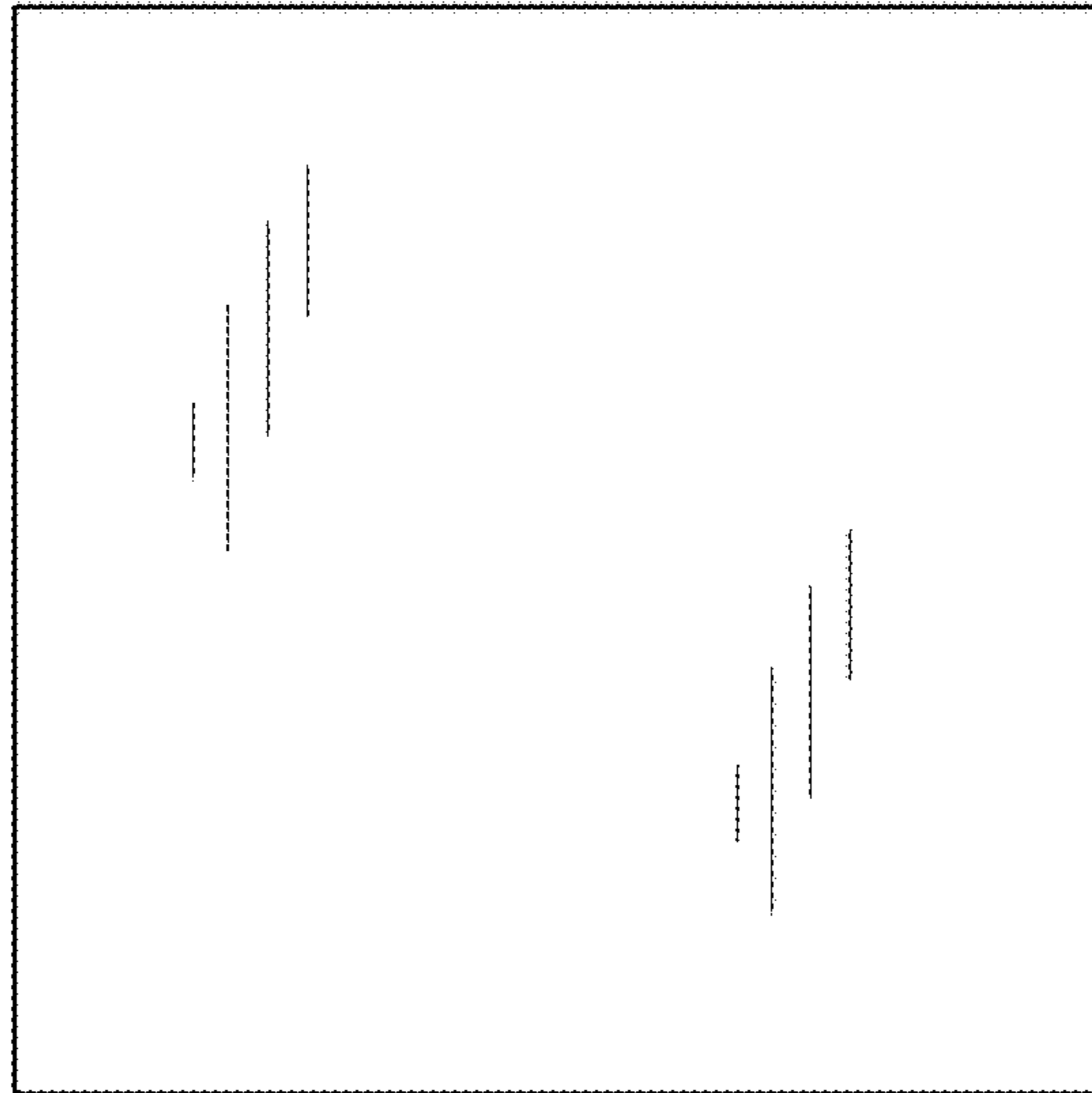


FIG. 5