



US00D858648S

(12) **United States Design Patent**  
**Zhukov**

(10) **Patent No.:** **US D858,648 S**

(45) **Date of Patent:** **\*\* Sep. 3, 2019**

(54) **ELECTRIC SCOOTER, TOY, AND/OR REPLICAS THEREOF**

(71) Applicant: **Bayerische Motoren Werke Aktiengesellschaft, Munich (DE)**

(72) Inventor: **Evgeny Zhukov, Munich (DE)**

(73) Assignee: **Bayerische Motoren Werke Aktiengesellschaft, Munich (DE)**

(\*\*) Term: **15 Years**

(21) Appl. No.: **29/619,088**

(22) Filed: **Sep. 27, 2017**

(30) **Foreign Application Priority Data**

Apr. 5, 2017 (DE) ..... 40 2017 100 411

(51) **LOC (12) Cl.** ..... **21-01**

(52) **U.S. Cl.**  
USPC ..... **D21/432; D12/110; D21/538**

(58) **Field of Classification Search**  
USPC ..... D12/110, 111, 117; D21/423, 432, 538  
CPC ..... B62K 11/00; B62K 11/02; B62K 11/04;  
B62K 11/10; B62K 17/00; B62K 19/00;  
B62K 2202/00  
See application file for complete search history.

(56) **References Cited**

**U.S. PATENT DOCUMENTS**

D281,795 S \* 12/1985 Shimomura ..... D21/538  
D555,544 S \* 11/2007 Tanaka ..... D12/110  
D596,535 S \* 7/2009 Katagiri ..... D12/110  
D597,893 S \* 8/2009 Hung ..... D12/110

D610,045 S \* 2/2010 Lambri ..... D12/110  
D635,489 S \* 4/2011 Tsukui ..... D12/110  
D666,533 S 9/2012 Wilm  
D666,534 S 9/2012 Wilm  
D690,624 S \* 10/2013 Okubo ..... D12/110  
D713,475 S \* 9/2014 Hui ..... D21/432  
D789,835 S \* 6/2017 Kottmann ..... D12/110  
D793,286 S \* 8/2017 Chuang ..... D12/110  
D828,229 S \* 9/2018 Zhukov ..... D12/110  
2011/0074183 A1 \* 3/2011 Kanezuka ..... B62J 17/00  
296/193.08

**FOREIGN PATENT DOCUMENTS**

EM 001846361-0001 2/2012  
EM 001846361-0002 2/2012  
EM 002122648-0001 10/2012  
EM 004161339-0001 8/2017

\* cited by examiner

*Primary Examiner* — Cynthia M. Chin

(74) *Attorney, Agent, or Firm* — Crowell & Moring LLP

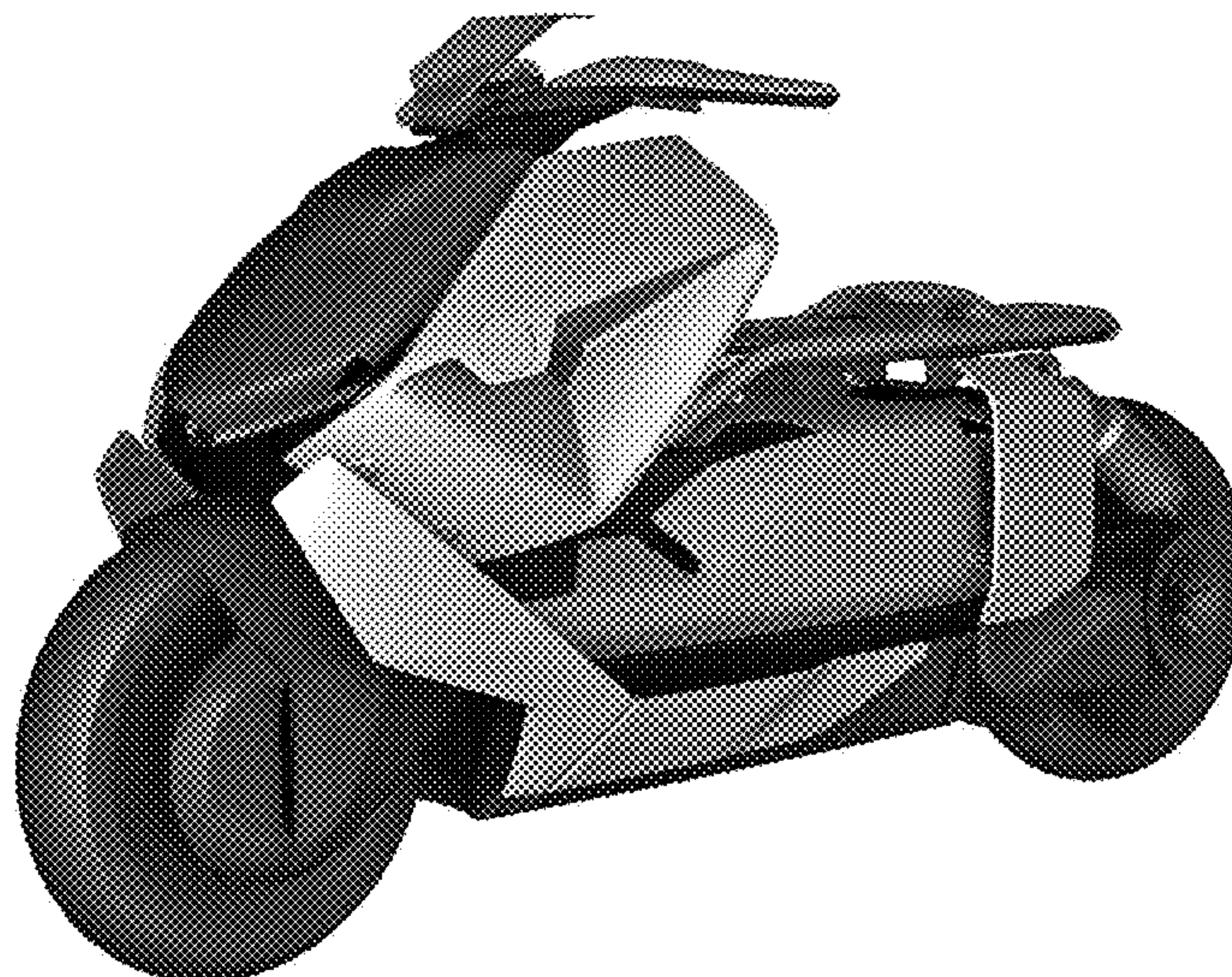
(57) **CLAIM**

The ornamental design for an electric scooter, toy, and/or replicas thereof, as shown and described.

**DESCRIPTION**

FIG. 1 is a left, front perspective view of an electric scooter, toy, and/or replicas thereof according to the design;  
FIG. 2 is a left side view thereof;  
FIG. 3 is a right side view thereof;  
FIG. 4 is a front view thereof;  
FIG. 5 is a rear view thereof;  
FIG. 6 is a top view thereof; and,  
FIG. 7 is a bottom view thereof.

**1 Claim, 7 Drawing Sheets**





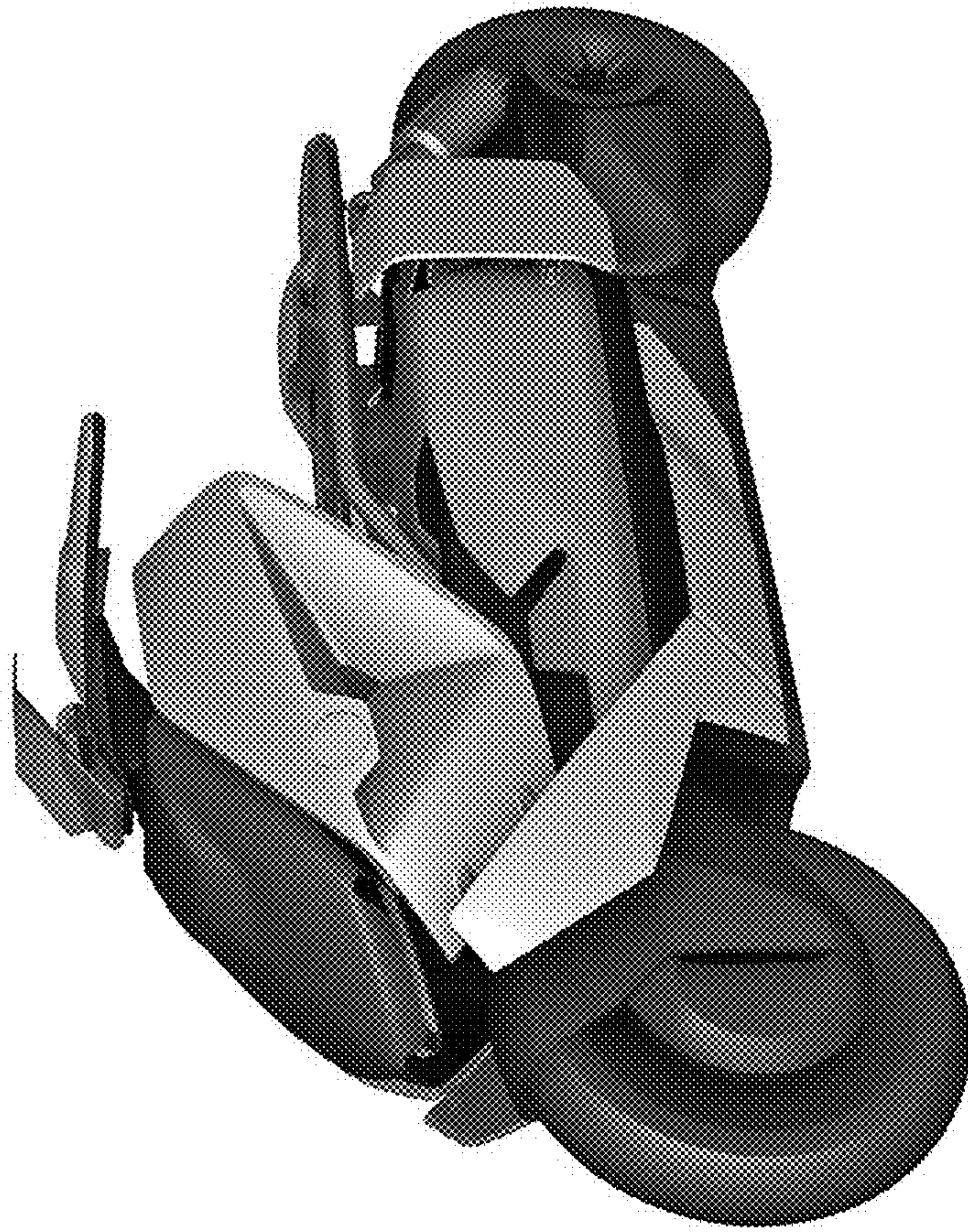


Fig. 1



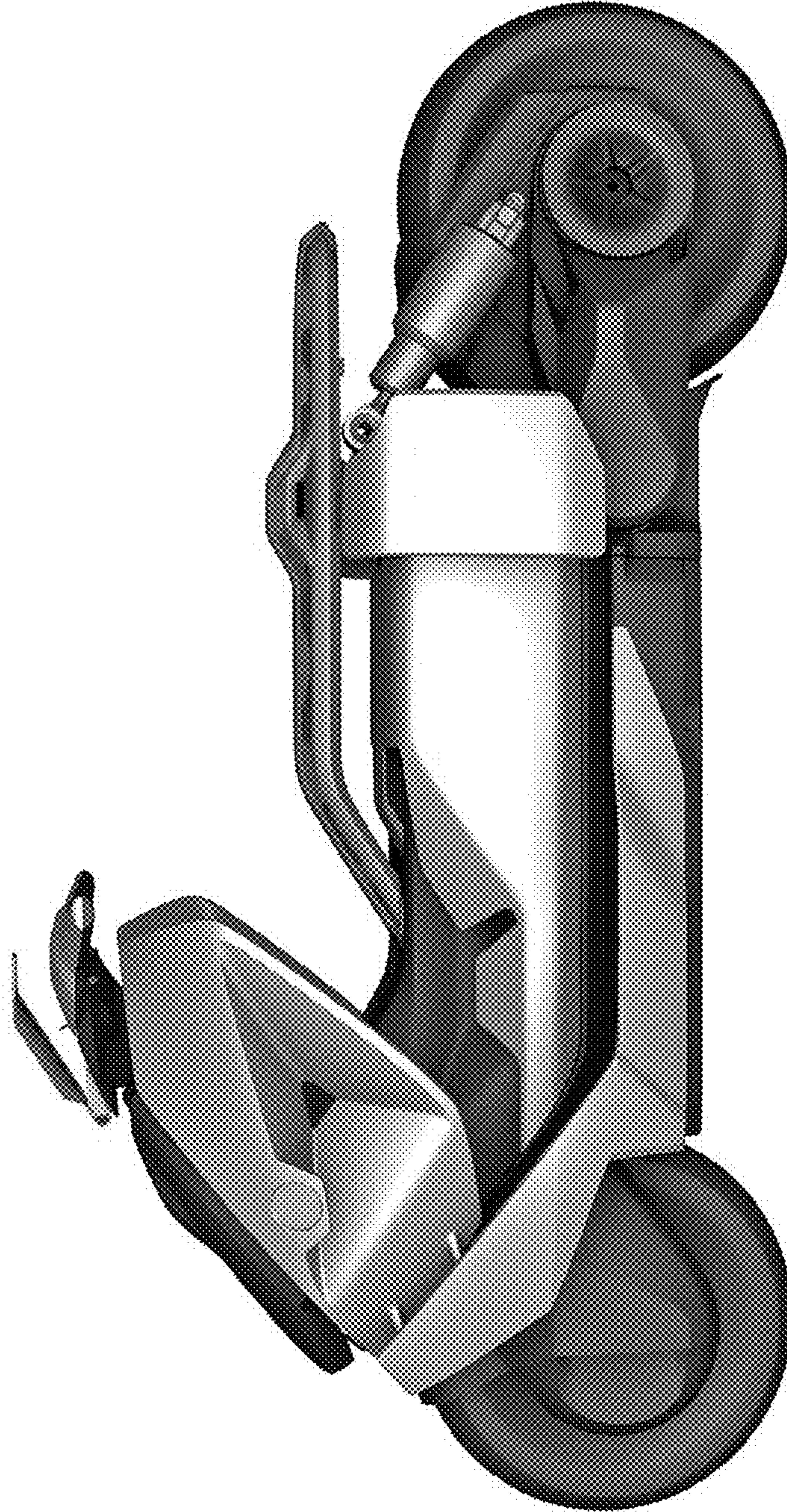


Fig. 2



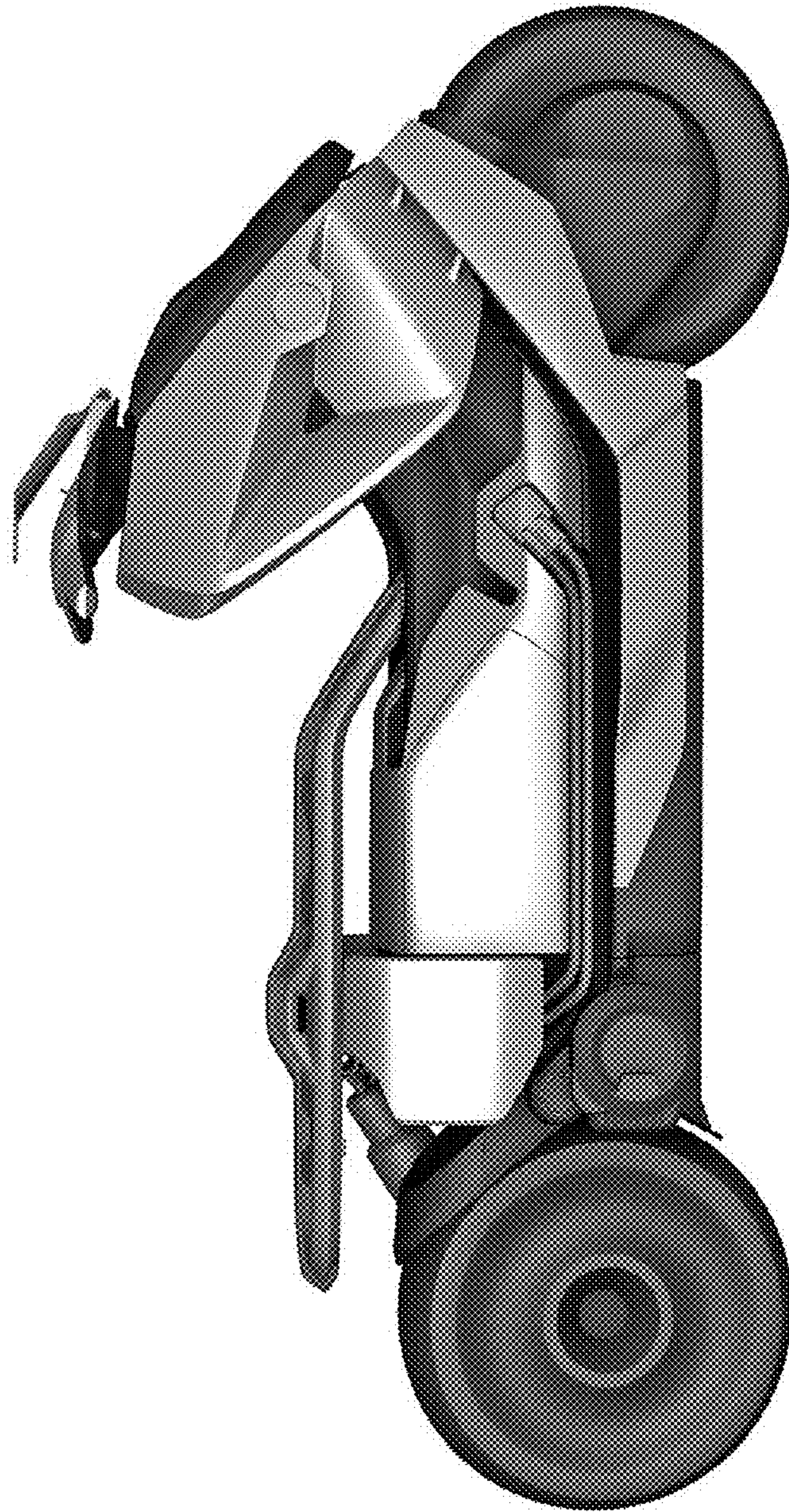


Fig. 3

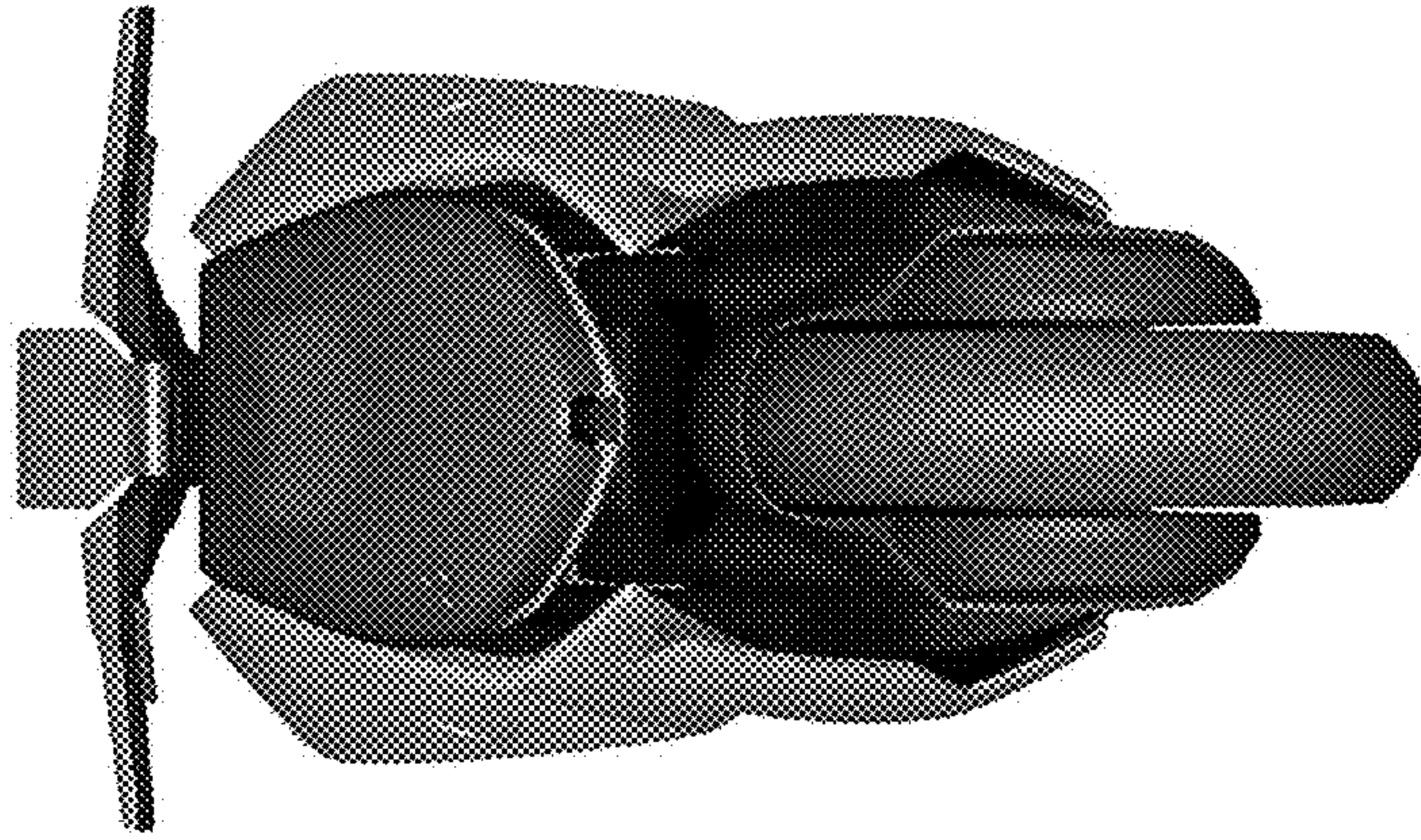


Fig. 4



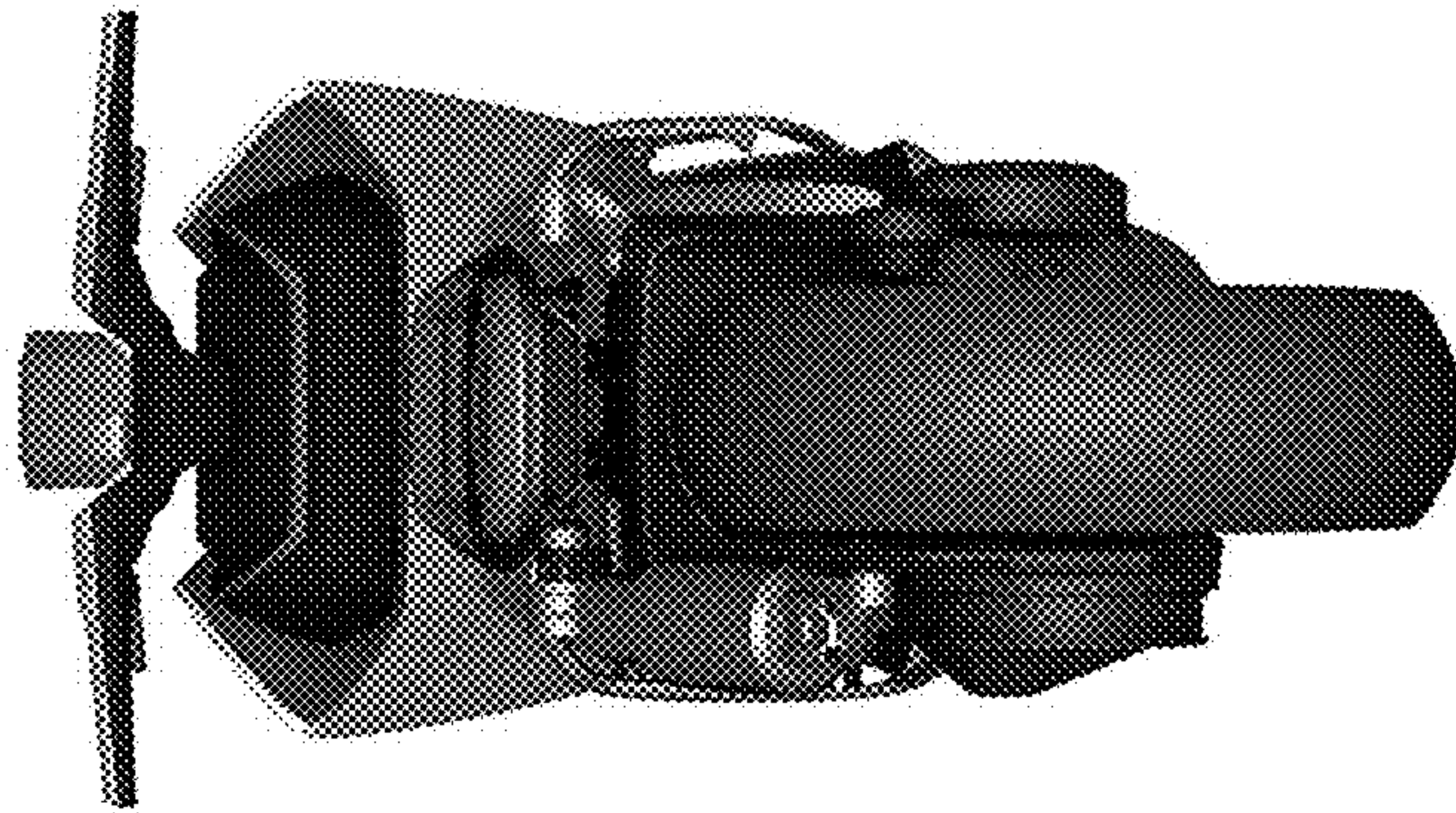


Fig. 5

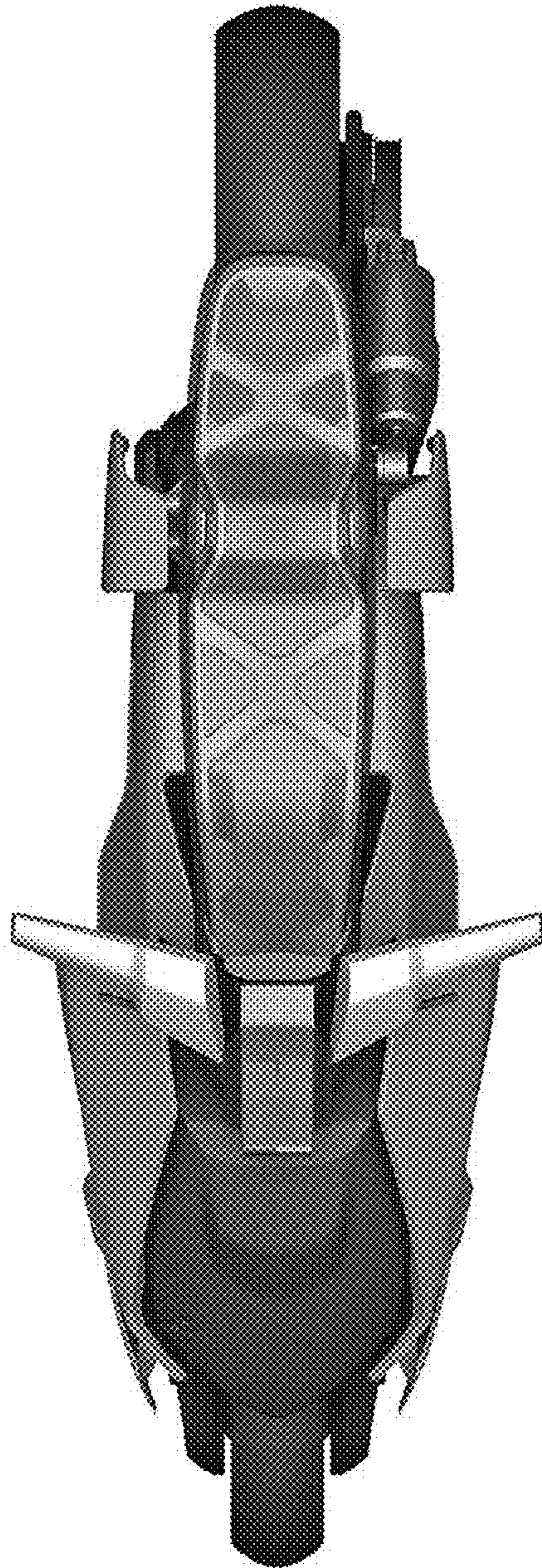


Fig. 6

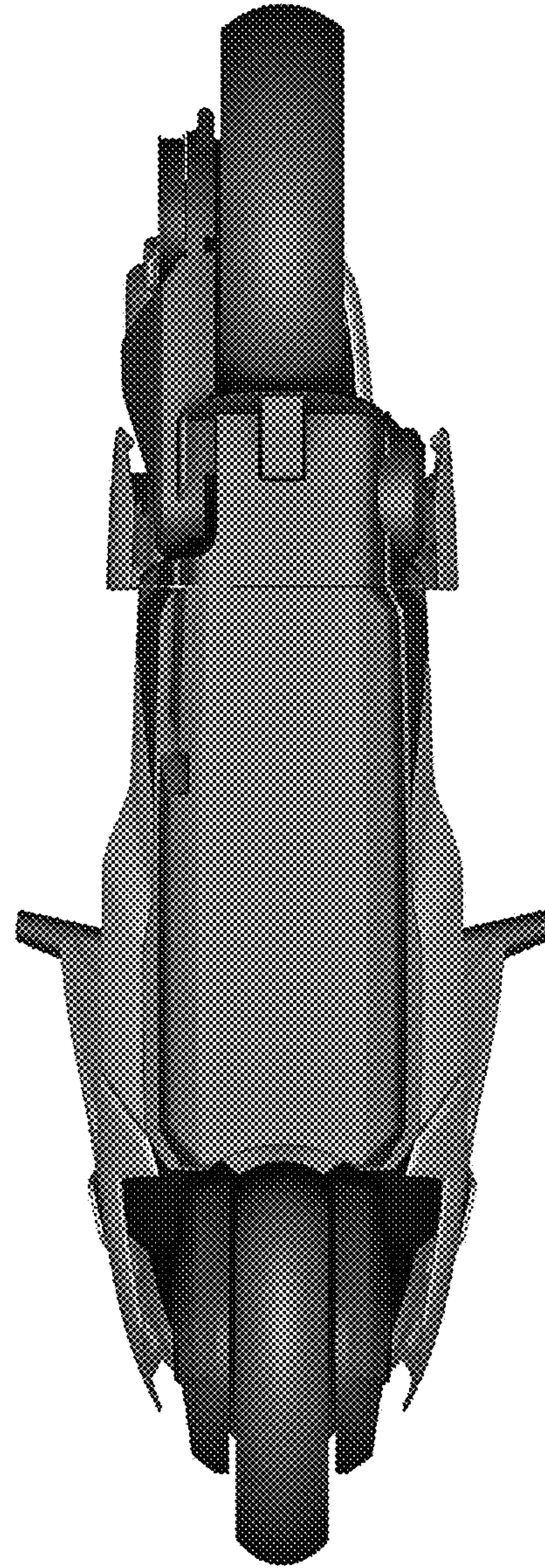


Fig. 7