

US00D858647S

(12) **United States Design Patent**  
**Liu et al.**

(10) **Patent No.: US D858,647 S**  
(45) **Date of Patent: \*\* \*Sep. 3, 2019**

(54) **ELECTRIC SCOOTER**

FOREIGN PATENT DOCUMENTS

(71) Applicant: **NINEBOT (BEIJING) TECH. CO., LTD**, Beijing (CN)

CN 304105471 S 4/2017

(72) Inventors: **Xing Liu**, Beijing (CN); **Lei Liu**, Beijing (CN); **Lufeng Gao**, Beijing (CN)

OTHER PUBLICATIONS

Pending design U.S. Appl. No. 35/503,019, filed May 26, 2017.  
(Continued)

(73) Assignee: **NINEBOT (BEIJING) TECH. CO., LTD**, Beijing (CN)

*Primary Examiner* — George D. Kirschbaum  
*Assistant Examiner* — Joseph J Kukella

(\*) Notice: This patent is subject to a terminal disclaimer.

(74) *Attorney, Agent, or Firm* — Margaret Polson; Polson Intellectual Property Law, PC

(\*\*) Term: **15 Years**

(57) **CLAIM**

The ornamental design for an electric scooter, as shown and described.

(21) Appl. No.: **35/504,606**

**DESCRIPTION**

(22) Filed: **Dec. 11, 2017**

The file of this patent contains at least one drawing/photograph executed in color. Copies of this patent with color drawing(s)/photograph(s) will be provided by the Office upon request and payment of the necessary fee.

(80) **Hague Agreement Data**

Int. Filing Date: **Dec. 11, 2017**  
Int. Reg. No.: **DM/100034**  
Int. Reg. Date: **Dec. 11, 2017**  
Int. Reg. Pub. Date: **Mar. 16, 2018**

(30) **Foreign Application Priority Data**

Jun. 22, 2017 (CN) ..... 2017 3 0260892

(51) **LOC (12) Cl.** ..... **21-01**

(52) **U.S. Cl.**  
USPC ..... **D21/423**

(58) **Field of Classification Search**  
USPC ..... D21/419, 423; D12/107, 109, 110, 111  
(Continued)

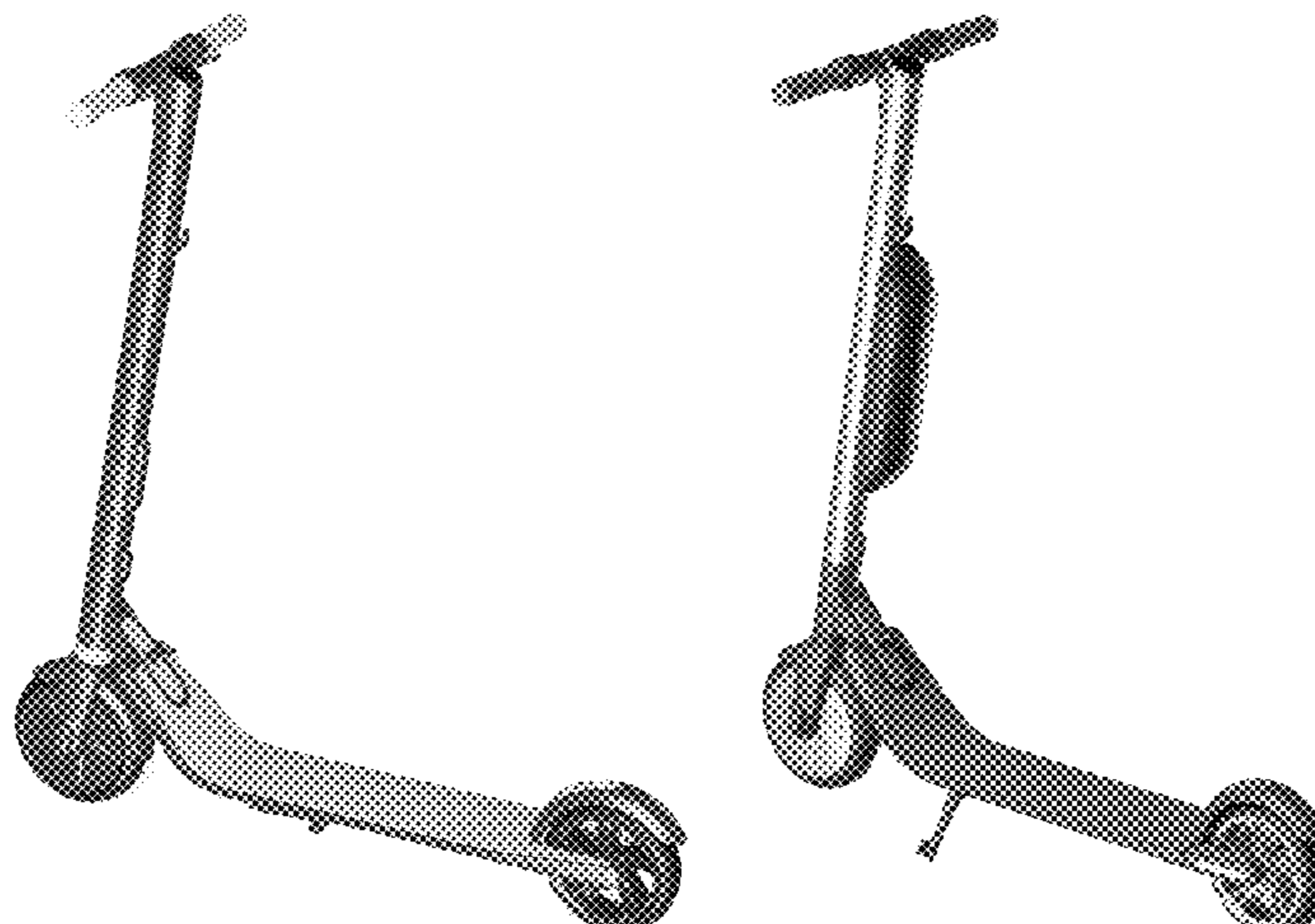
- 1.-2. Electric scooter
- 1.1 is a front elevation view of an electric scooter showing our new design in a first embodiment;
- 1.2 is a back elevation view thereof;
- 1.3 is a left side elevation view thereof;
- 1.4 is a right side elevation view thereof;
- 1.5 is a top plan view thereof;
- 1.6 is a bottom plan view thereof;
- 1.7 is a perspective view thereof;
- 1.8 is a perspective view thereof showing the electric scooter in fold state;
- 2.1 is a front elevation view of an electric scooter showing our new design in a second embodiment;
- 2.2 is a back elevation view thereof;
- 2.3 is a left side elevation view thereof;
- 2.4 is a right side elevation view thereof;
- 2.5 is a top plan view thereof;
- 2.6 is a bottom plan view thereof;
- 2.7 is a perspective view thereof showing the electric scooter with an open stand bar;

(56) **References Cited**

U.S. PATENT DOCUMENTS

D435,873 S 1/2001 Lee  
D443,001 S 5/2001 Ouboter  
(Continued)

(Continued)



**2.8** is a perspective view thereof showing the electric scooter in fold state.

**1 Claim, 16 Drawing Sheets  
(14 of 16 Drawing Sheet(s) Filed in Color)**

(58) **Field of Classification Search**  
CPC ... B62K 9/00; B62K 3/00; B62K 3/02; B62K 3/04; B62K 3/06; B62K 3/08; B62K 3/10  
See application file for complete search history.

(56) **References Cited**

U.S. PATENT DOCUMENTS

D444,824 S	7/2001	Udwin	
D446,259 S	8/2001	Udwin	
D452,284 S	12/2001	McGinnis	
D467,625 S	12/2002	Clark	
D645,522 S	9/2011	Powers et al.	
D654,963 S	2/2012	Powers	
D671,600 S	11/2012	Horne	
D684,217 S *	6/2013	Hadley	D21/423
D686,674 S *	7/2013	Hadley	D21/423
D692,963 S	11/2013	Radtke	
D717,881 S	11/2014	Radtke et al.	
8,925,935 B2 *	1/2015	Powers	B62K 15/00 280/655.1
D728,033 S	4/2015	O'connell	
D736,324 S	8/2015	Lu et al.	

D738,435 S	9/2015	O'connell	
D756,464 S *	5/2016	Edlauer	D21/423
D772,990 S	11/2016	Allais	
D774,145 S	12/2016	Hadley et al.	
D777,844 S	1/2017	O Connell	
D783,724 S	4/2017	Pickavance	
D806,176 S	12/2017	Peng	
D810,836 S	2/2018	Hadley	
D811,489 S	2/2018	Hadley et al.	
D815,215 S	4/2018	Desberg	
D818,541 S	5/2018	Huang	
D830,468 S *	10/2018	Liu	B62K 15/00 D21/423
D834,097 S *	11/2018	Lin	B62K 3/002 D21/423
D835,206 S *	12/2018	Lin	D21/423
D836,727 S *	12/2018	Wilson	D21/423
D837,303 S *	1/2019	Desberg	B62K 3/002 D21/423
2008/0203691 A1 *	8/2008	Hsu	B62K 3/002 280/87.041
2014/0007735 A1 *	1/2014	Johnson	B62K 3/002 74/551.4
2016/0096578 A1	4/2016	Shun	

OTHER PUBLICATIONS

Pending design U.S. Appl. No. 35/503,535, filed May 18, 2017.  
"CityGo Urban—World's Best Designed E-Scooter", YouTube, Jun. 18, 2016, <<https://www.youtube.com/watch?=733G9oWpve0>>.

\* cited by examiner

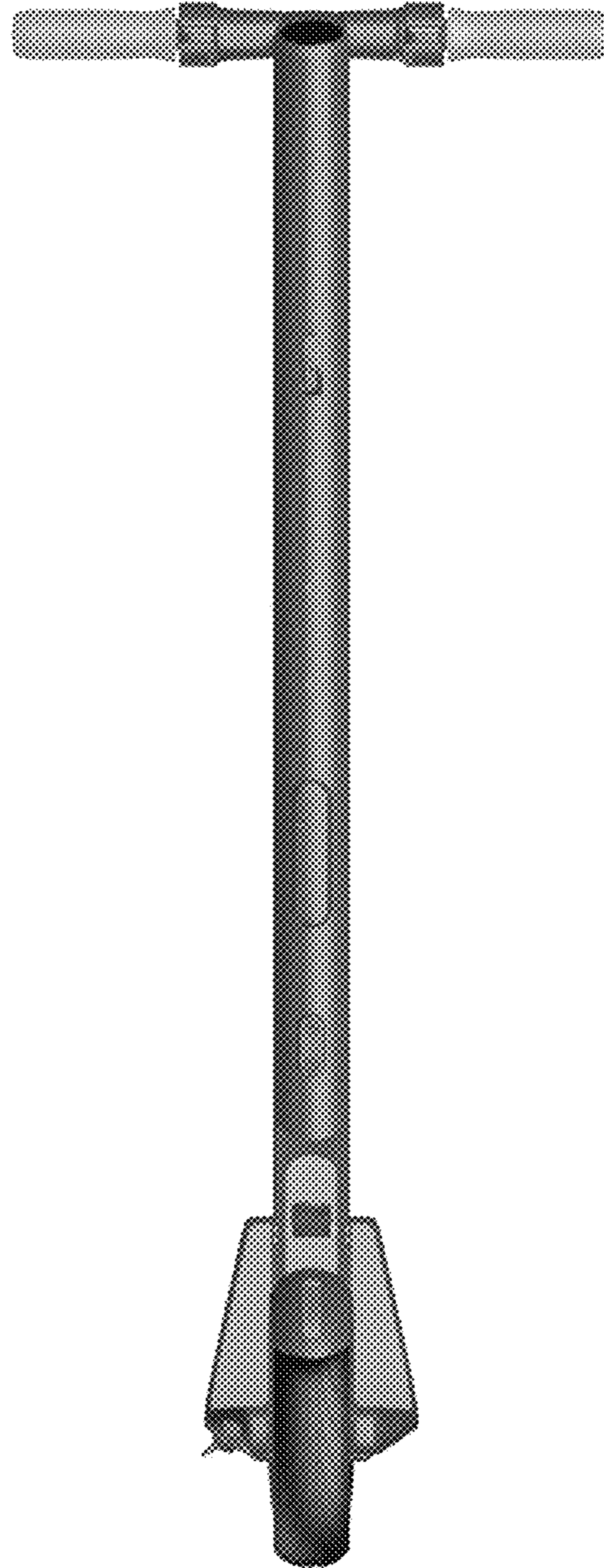
1.1



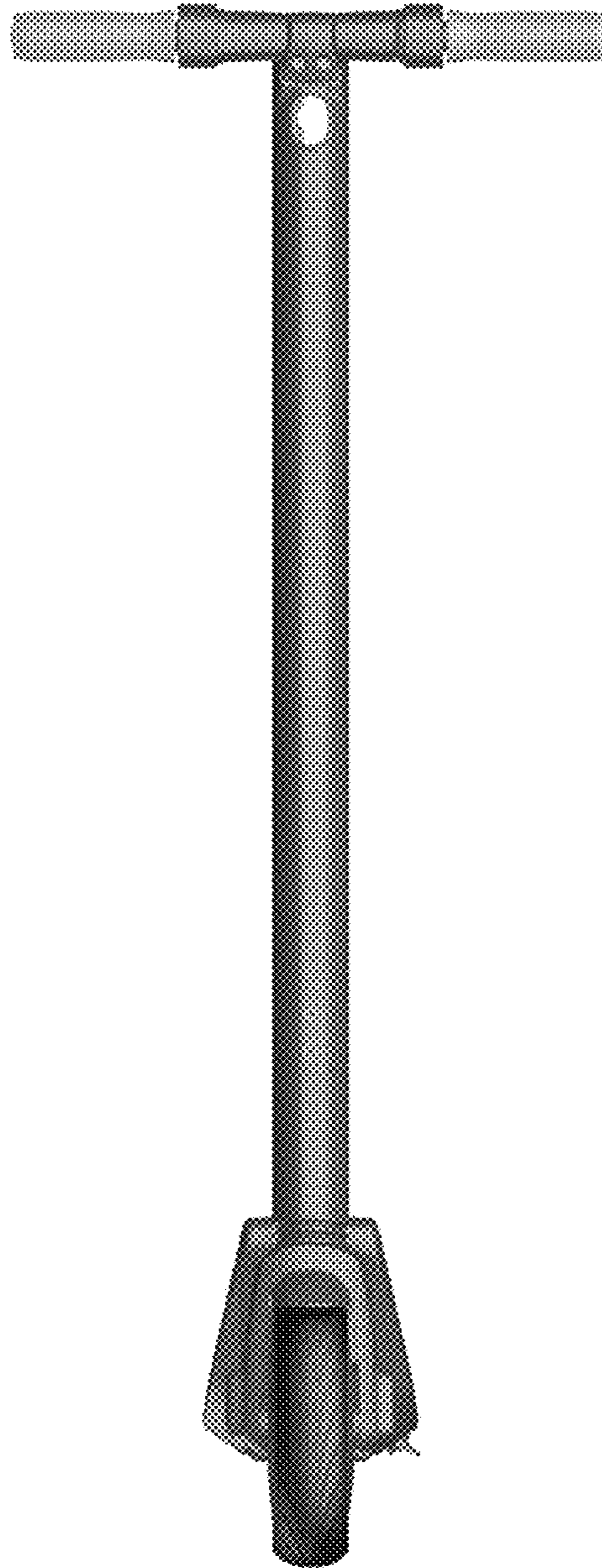
1.2



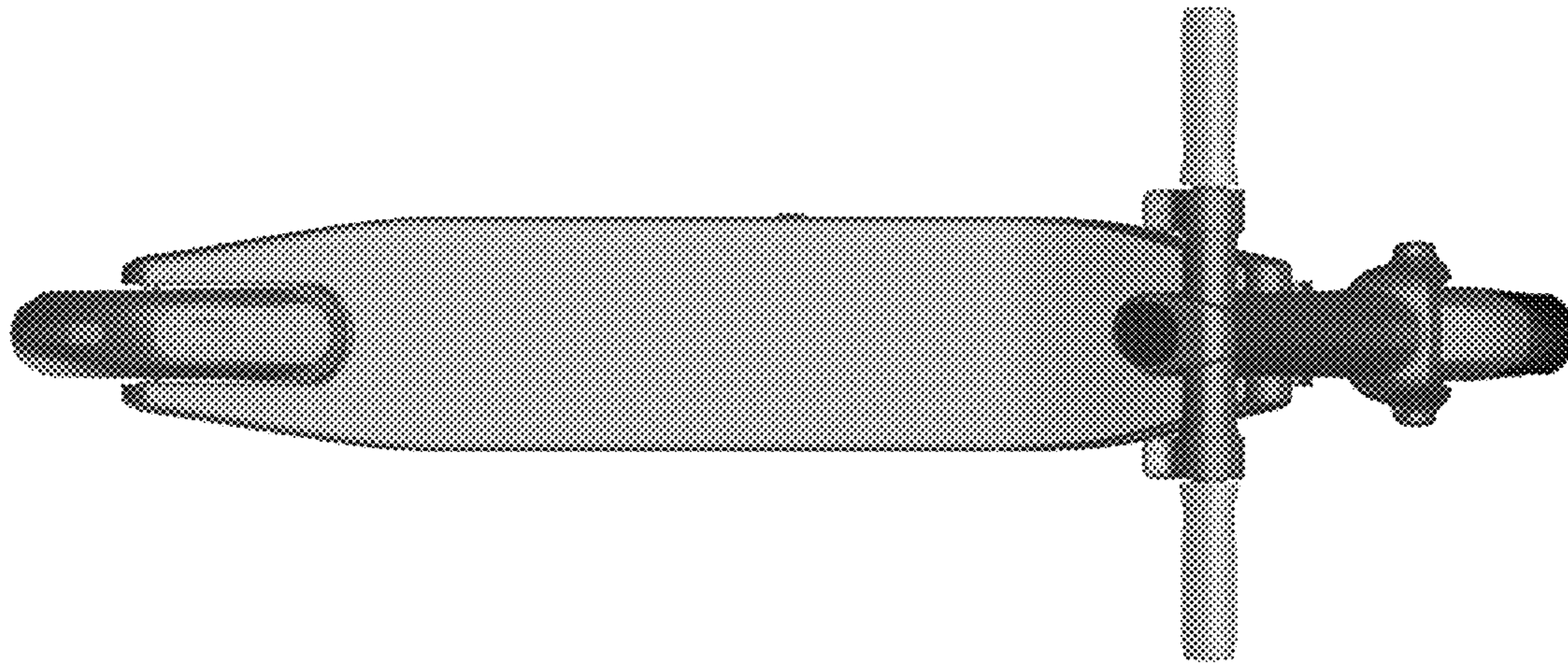
1.3



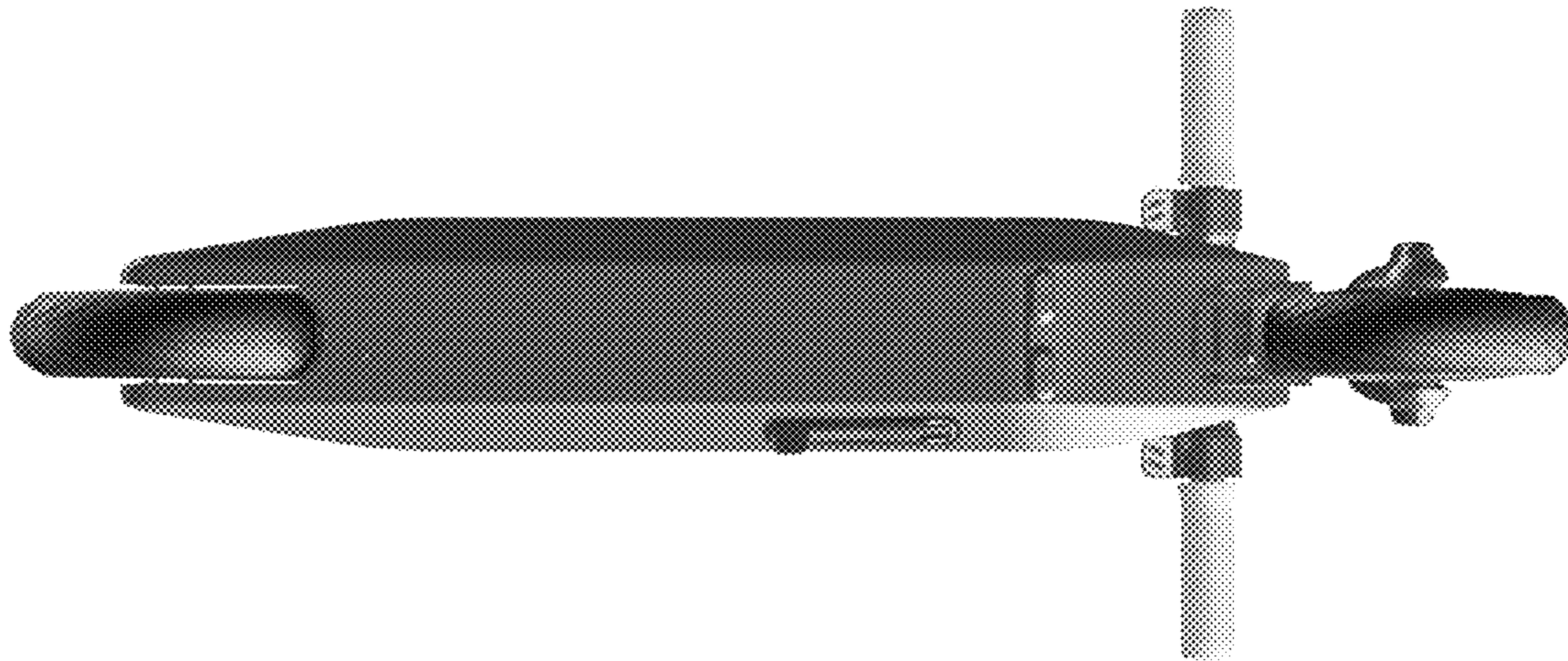
1.4



1.5



1.6

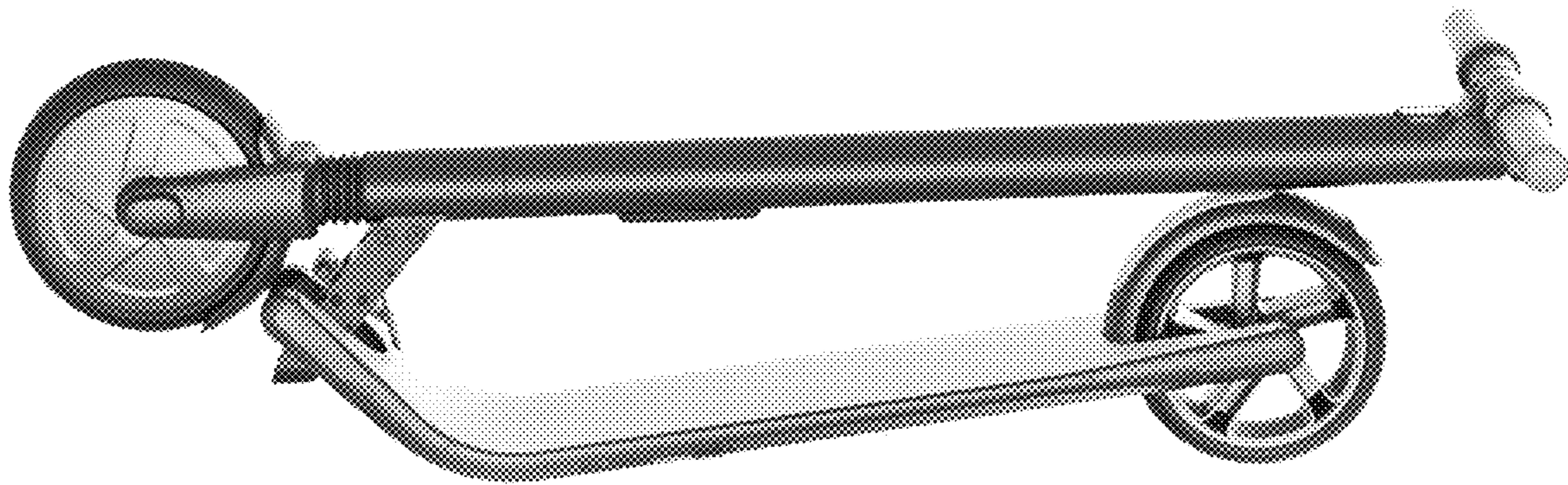




1.7



1.8



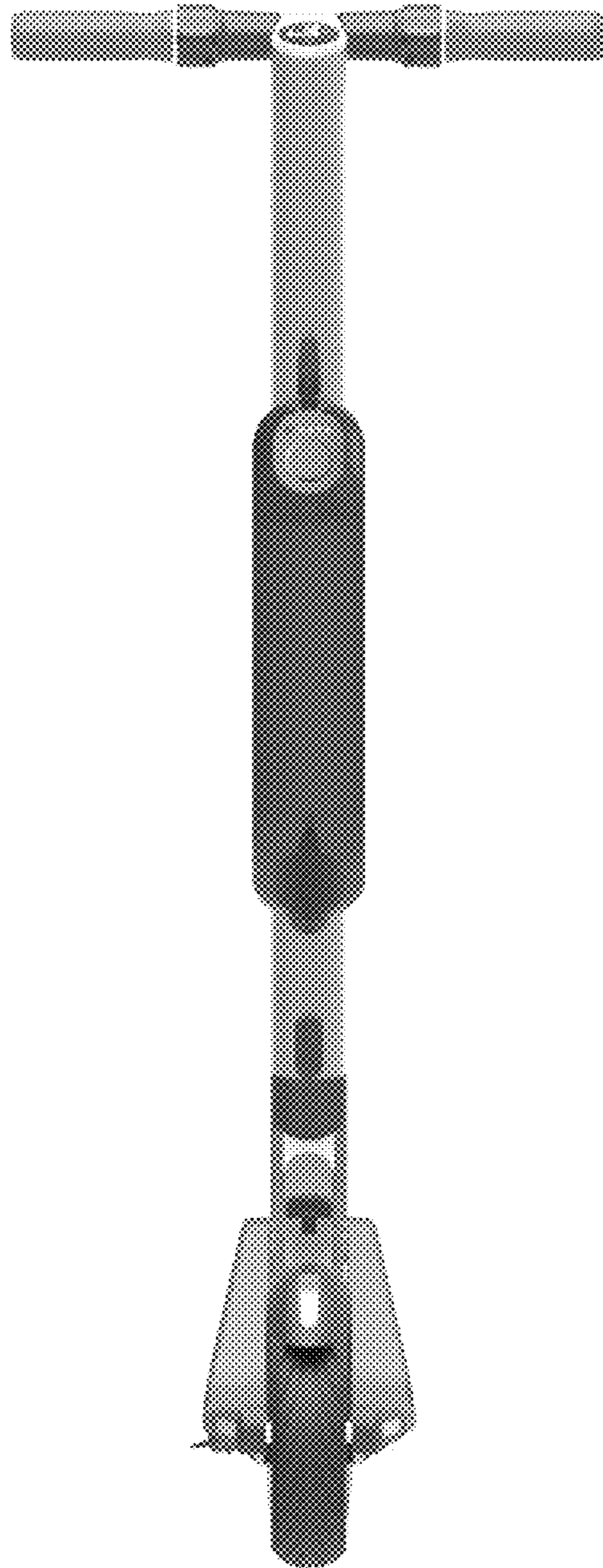
2.1



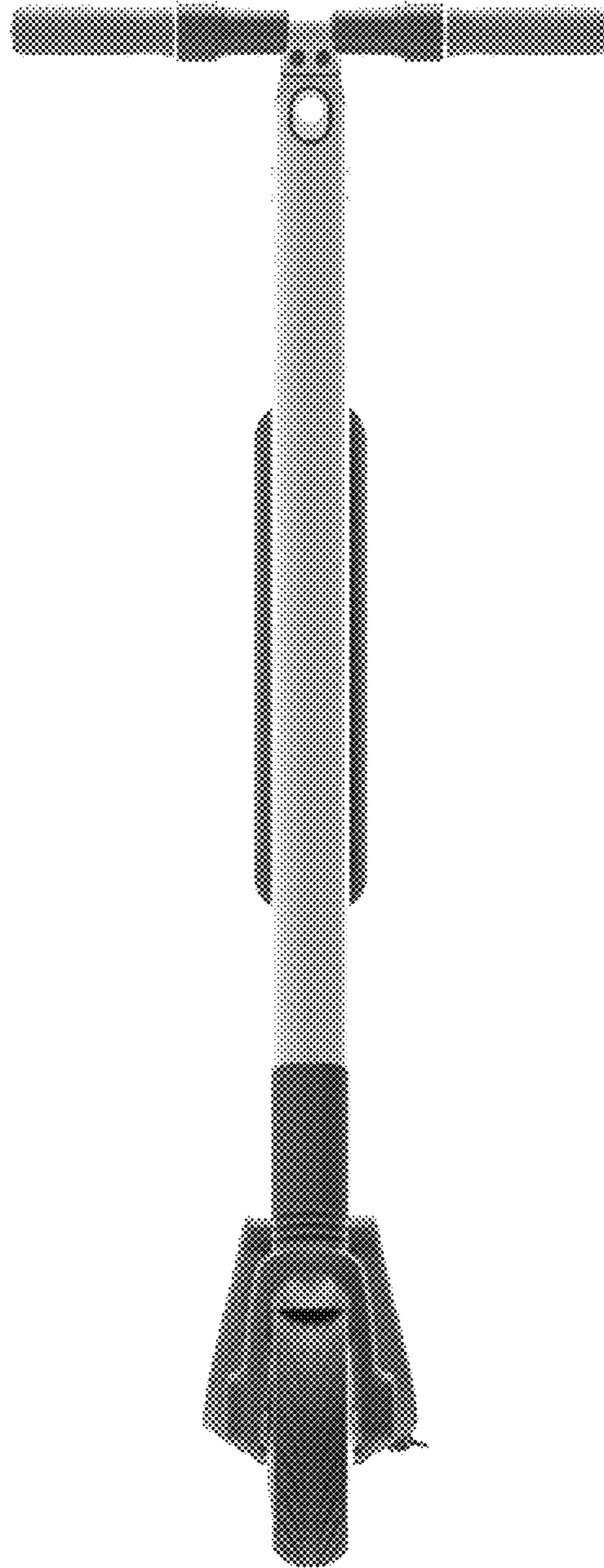
2.2



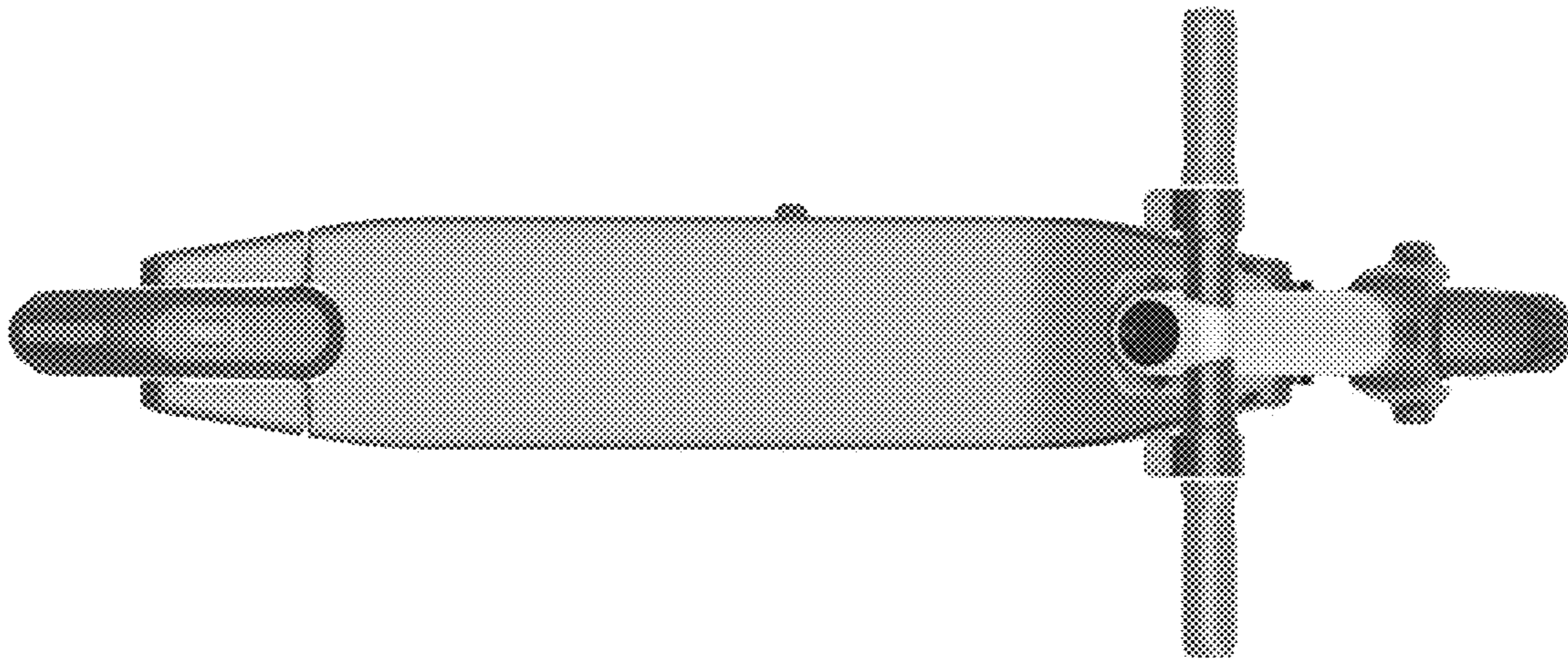
2.3



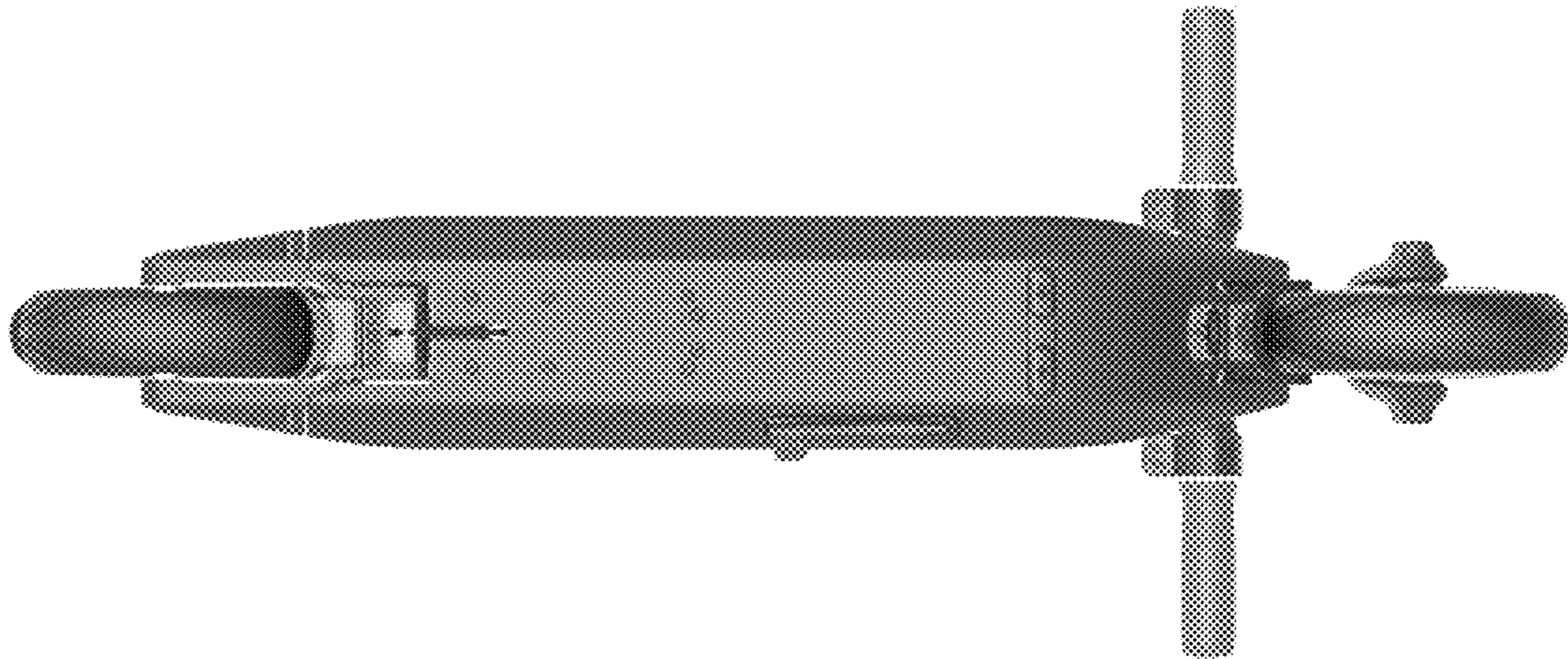
2.4



2.5



2.6





2.7



2.8

