



US00D858641S

(12) **United States Design Patent** (10) **Patent No.:** **US D858,641 S**
Legras et al. (45) **Date of Patent:** **** Sep. 3, 2019**

(54) **ELECTRONIC GAMING MACHINE**

(71) Applicant: **IGT, Las Vegas, NV (US)**

(72) Inventors: **Jean Pierre Legras, Carson City, NV (US); Tai Rosander, Reno, NV (US)**

(73) Assignee: **IGT, Las Vegas, NV (US)**

(**) Term: **15 Years**

(21) Appl. No.: **29/624,607**

(22) Filed: **Nov. 2, 2017**

(51) **LOC (12) Cl.** **21-03**

(52) **U.S. Cl.**
USPC **D21/370**

(58) **Field of Classification Search**

USPC 463/1, 28, 29, 30, 31, 32, 33, 34, 35, 46,
463/47; D14/125, 126, 133, 203.7, 203.8,
D14/217, 300, 301, 302, 305, 307, 334,
D14/496, 511; D21/324, 325, 329, 369,
D21/370, 371

CPC G07F 17/3216; A47B 25/00
See application file for complete search history.

(56) **References Cited**

U.S. PATENT DOCUMENTS

D535,338 S *	1/2007	Linard	D21/369
D599,858 S *	9/2009	Lesley	D21/370
D603,909 S *	11/2009	De Viveiros Ortiz	D21/325
D604,368 S *	11/2009	Lesley	D21/370
D604,774 S *	11/2009	De Viveiros Ortiz	D21/325
D605,231 S *	12/2009	Hashimoto	D21/325
D612,432 S *	3/2010	De Viveiros Ortiz	D21/325
D622,323 S *	8/2010	De Viveiros Ortiz	D21/325
D622,781 S *	8/2010	Lesley	D21/369
D626,182 S *	10/2010	Cole	D21/369
D674,023 S *	1/2013	Seelig	D21/369
D684,216 S *	6/2013	Terpstra	D21/370
D685,435 S *	7/2013	Hohman	D21/370

D697,558 S *	1/2014	Myers	D21/369
D706,741 S *	6/2014	Myers	D21/369
D719,615 S *	12/2014	Inoue	D21/370
D719,616 S *	12/2014	Inoue	D21/370
D721,766 S *	1/2015	Ferrazoli	D21/370
D723,626 S *	3/2015	Vasquez	D21/370
D727,431 S *	4/2015	Themann	D21/370
D730,993 S *	6/2015	Castro	D21/370
D737,808 S *	9/2015	Naumann	D14/307
D740,887 S *	10/2015	Randazzo	D21/370
D742,975 S *	11/2015	Myers	D21/370
D760,846 S *	7/2016	Castro	D21/370
D763,361 S *	8/2016	Rosander	D21/370
D803,323 S *	11/2017	Bussey	D21/369
D803,324 S *	11/2017	Bussey	D21/370
D810,833 S *	2/2018	Rosander	D21/370
D812,146 S *	3/2018	Castro	D21/369
D812,147 S *	3/2018	Castro	D21/369
D812,148 S *	3/2018	Castro	D21/369

(Continued)

Primary Examiner — Cynthia Ramirez

Assistant Examiner — Michael A Maharajh

(74) *Attorney, Agent, or Firm* — Sage Patent Group

(57) **CLAIM**

The ornamental design for an electronic gaming machine, as shown and described.

DESCRIPTION

FIG. 1 is a top rear perspective view of an electronic gaming machine, showing our new design.

FIG. 2 is a front view thereof;

FIG. 3 is a rear view thereof;

FIG. 4 is a right view thereof;

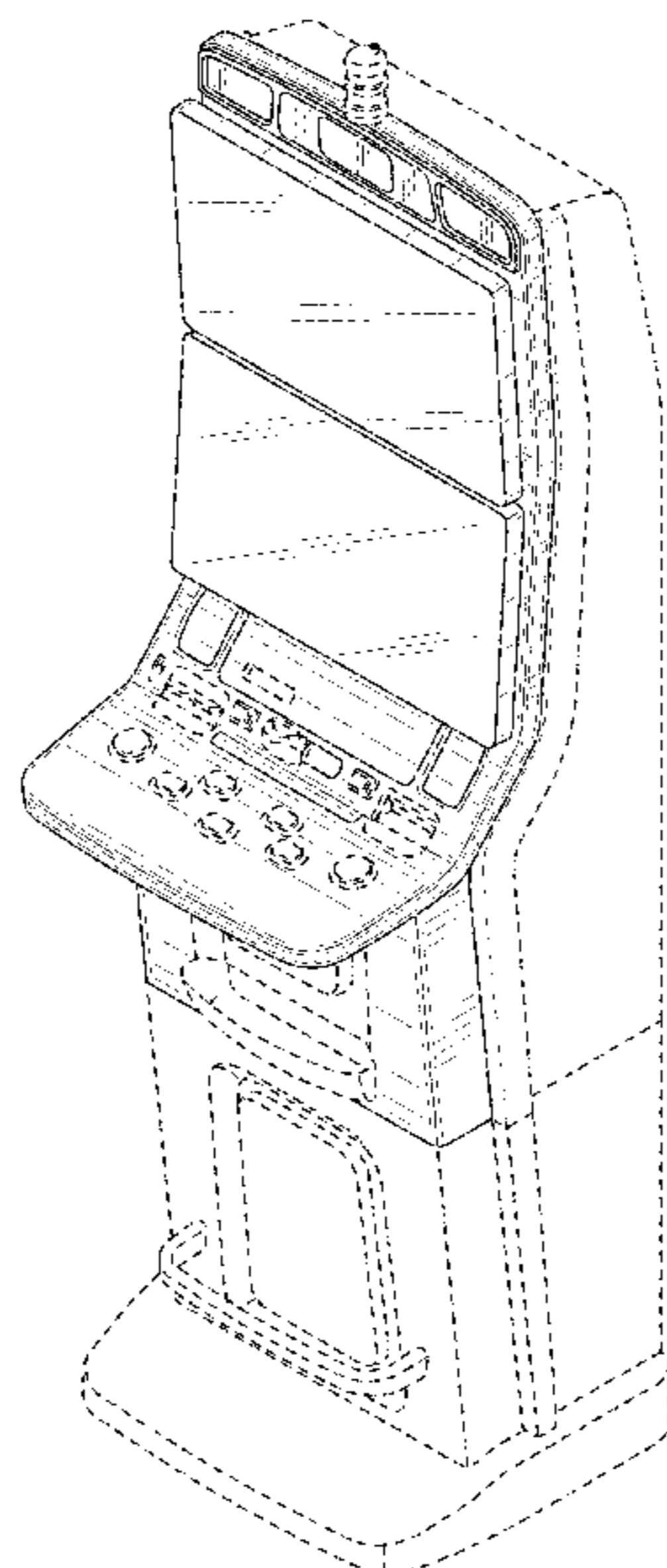
FIG. 5 is a left view thereof;

FIG. 6 is a top view thereof; and,

FIG. 7 is a bottom view thereof.

The broken lines shown in the drawings are for the purposes of illustrating portions of the electronic gaming machine, which form no part of the claimed design.

1 Claim, 7 Drawing Sheets



(56)

References Cited

U.S. PATENT DOCUMENTS

D812,149 S *	3/2018	Castro	D21/369
D813,954 S *	3/2018	Calhoun	D21/369
D818,048 S *	5/2018	Calhoun	D21/369
D819,747 S *	6/2018	Castro	D21/369
D820,915 S *	6/2018	Lee	D21/369

* cited by examiner

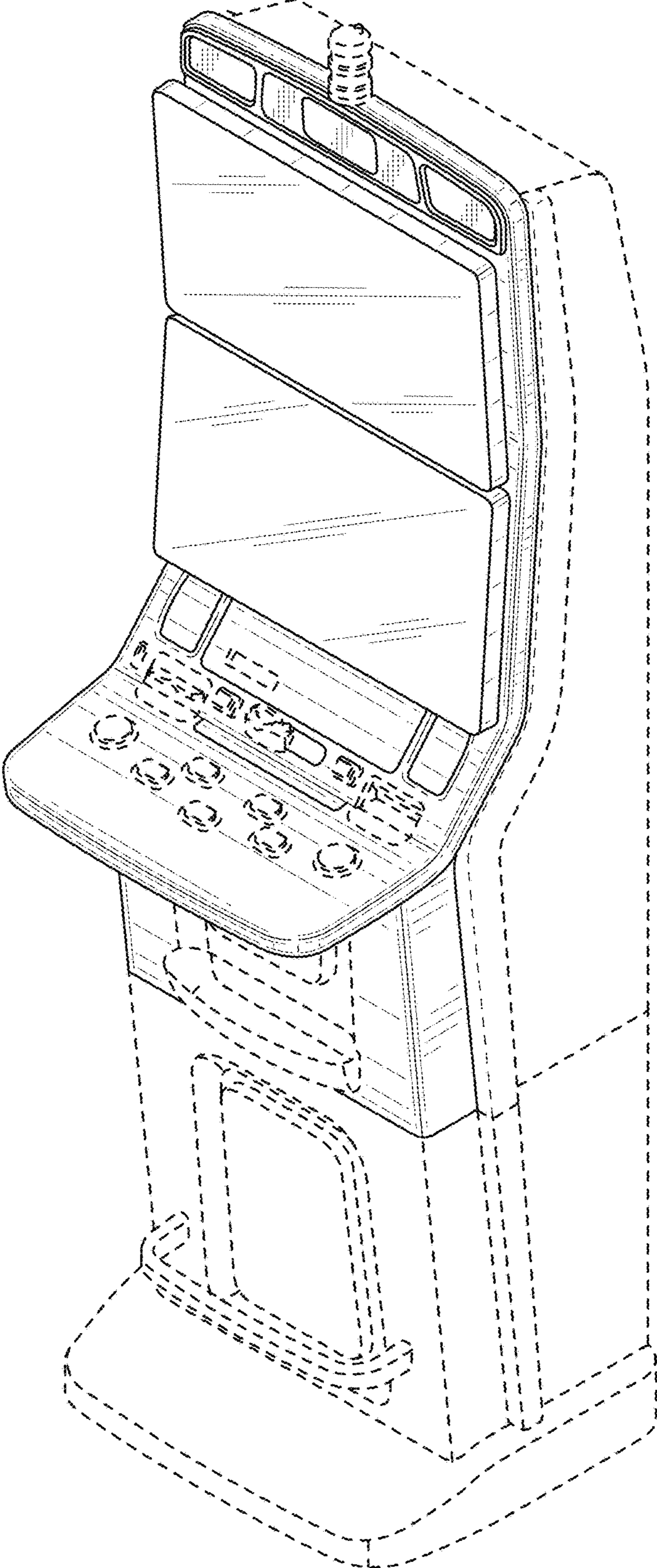


FIG. 1

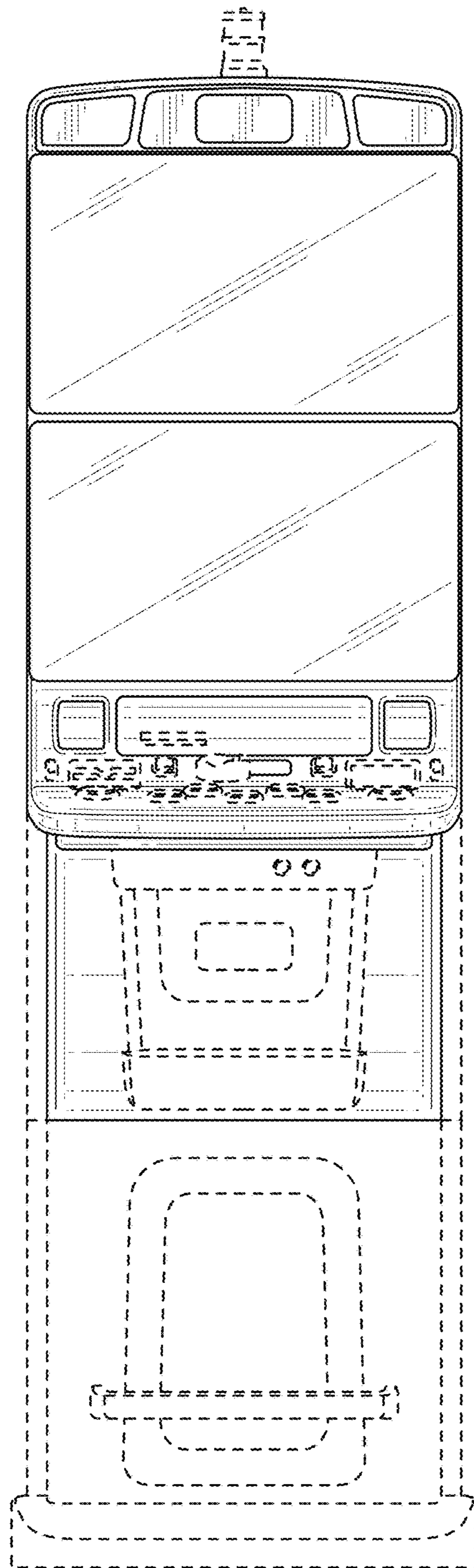


FIG. 2

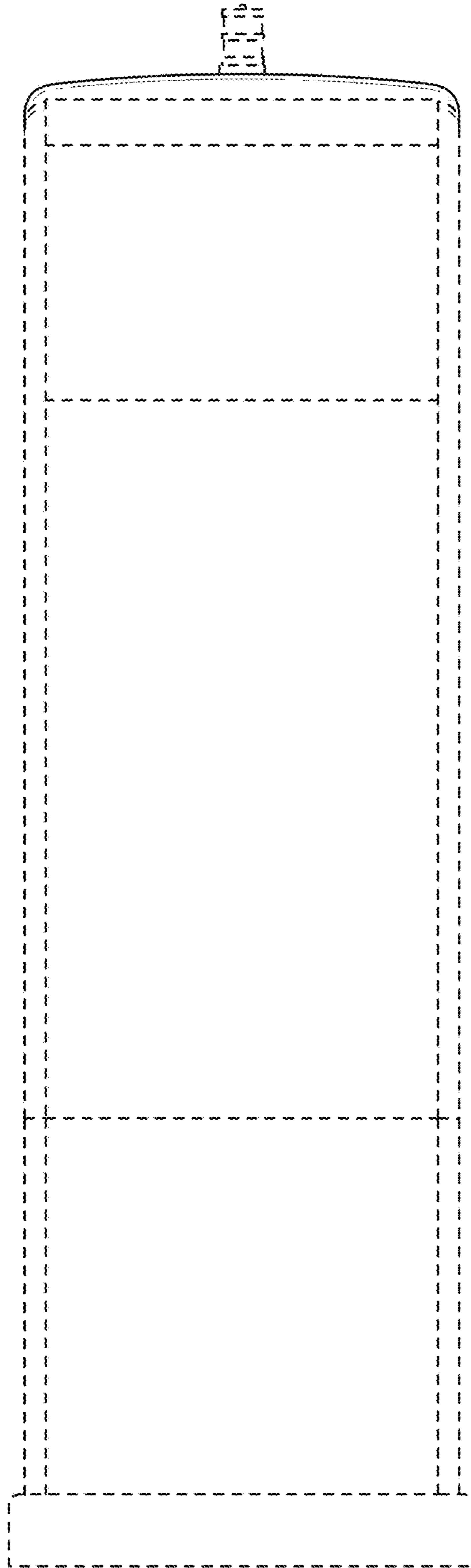


FIG. 3

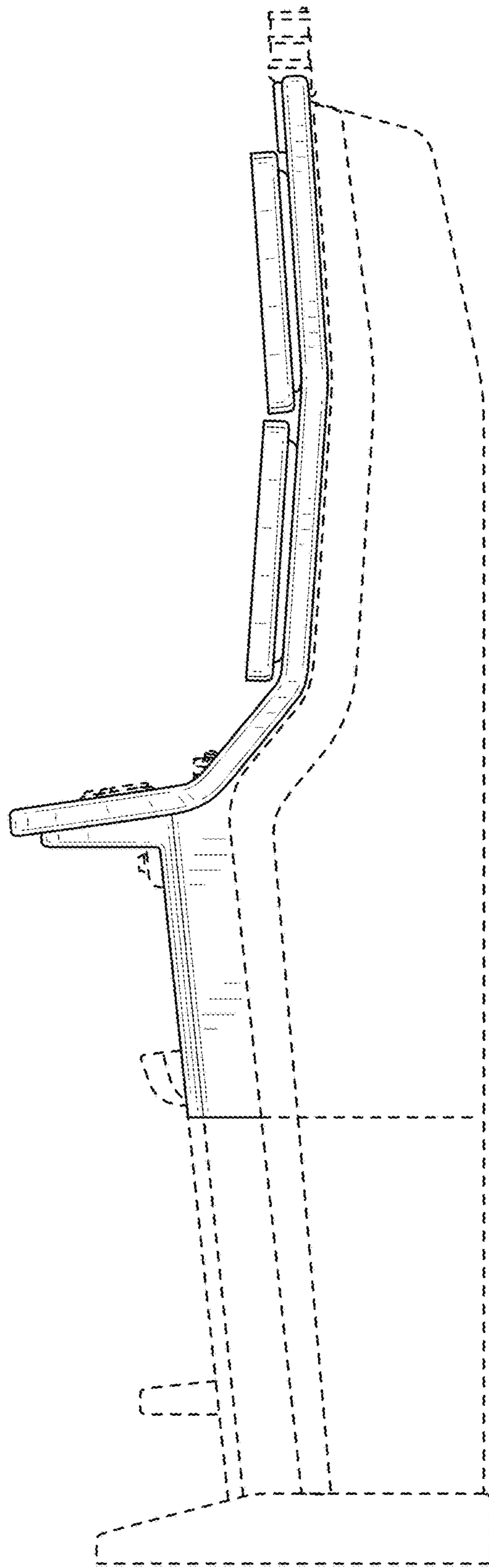


FIG. 4

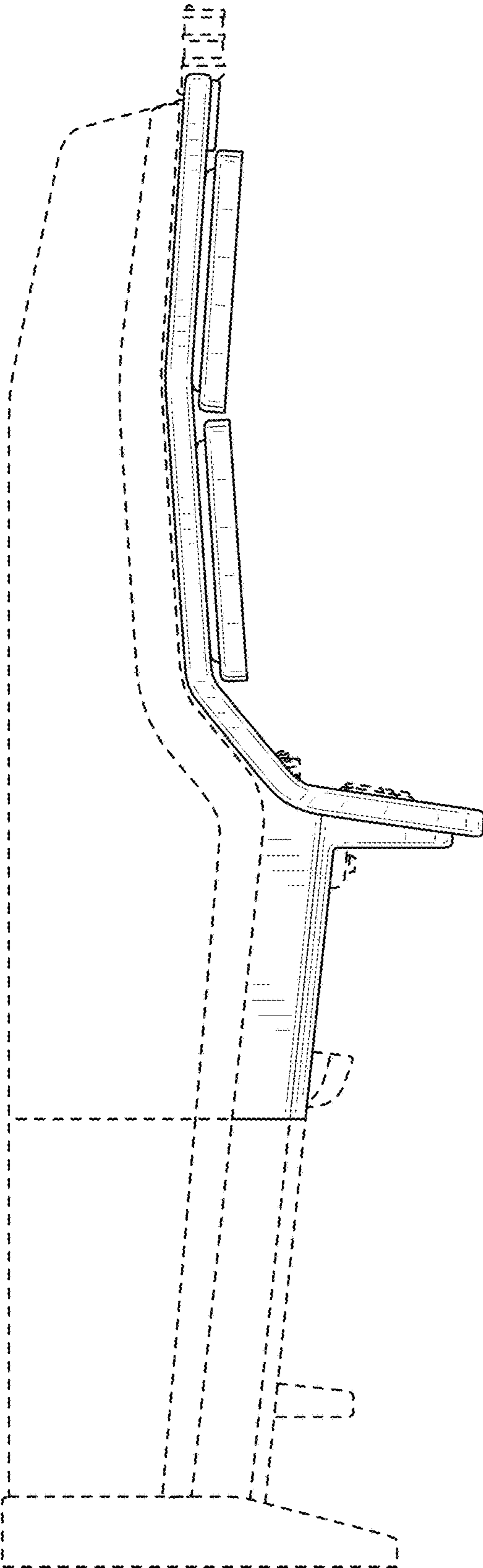


FIG. 5

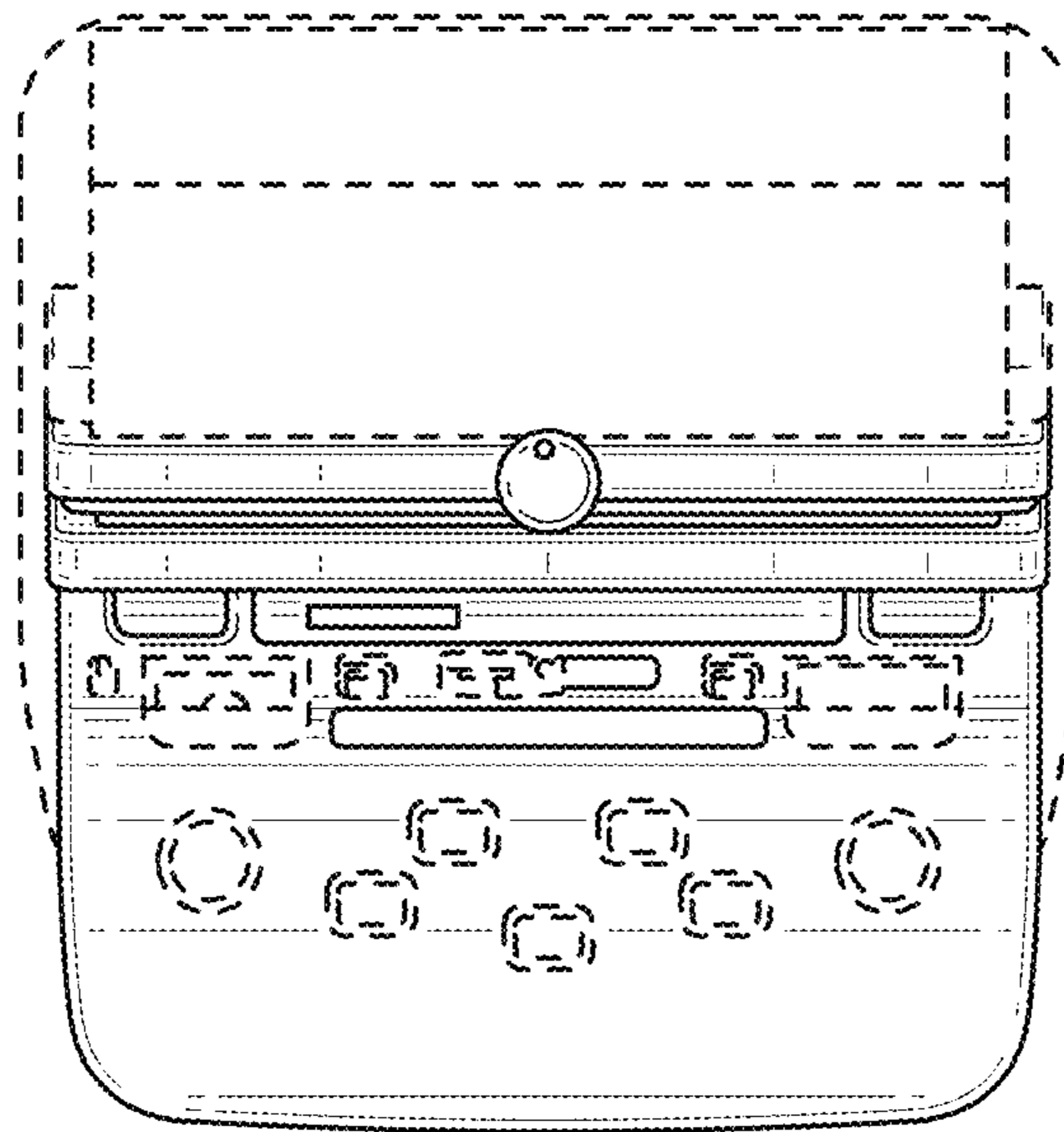


FIG. 6

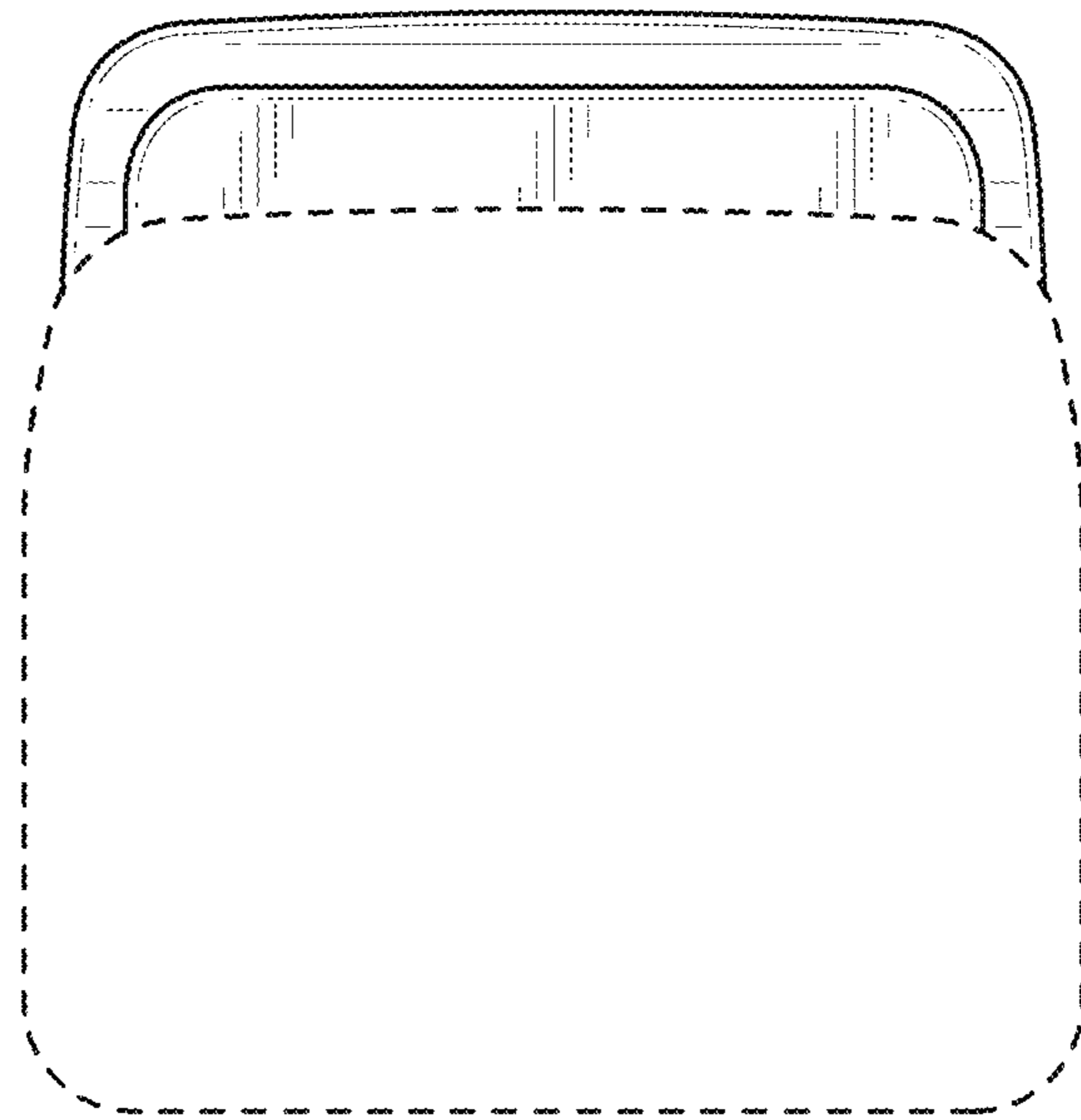


FIG. 7