



US00D858637S

(12) **United States Design Patent** (10) **Patent No.:** **US D858,637 S**  
**Ballot et al.** (45) **Date of Patent:** **\*\* Sep. 3, 2019**

(54) **APPLICATOR**

(71) Applicant: **Flocon, Inc.**, Woodstock, IL (US)  
(72) Inventors: **Stephan M Ballot**, Barrington Hills, IL (US); **David Snyder**, Sharon, WI (US); **Fred M Ekstrom**, Algonquin, IL (US); **Robert D Forschler**, Crystal Lake, IL (US); **Thomas A Nelsen**, Crystal Lake, IL (US)

(73) Assignee: **Flocon, Inc.**, Woodstock, IL (US)

(\*\*) Term: **15 Years**

(21) Appl. No.: **29/656,045**

(22) Filed: **Jul. 10, 2018**

(51) **LOC (12) Cl.** ..... **19-06**

(52) **U.S. Cl.**  
USPC ..... **D19/170**

(58) **Field of Classification Search**  
USPC ..... D24/112, 113, 114, 118, 119; D14/411; D19/115, 116, 117, 118, 119, 120, 121, D19/122, 161, 162, 163, 164, 165, 166, D19/167, 168, 169, 912, 924, 190-204, D19/170, 171, 172, 173, 174, 175, 176, D19/177, 178, 179, 180, 181, 182, 183, D19/184, 185, 186, 187, 188, 189  
CPC ..... B43K 5/1845; B43K 8/04; B43K 7/10; B43K 15/00; B43K 23/12; B43K 29/00; B43K 8/02; B43K 8/024; B43K 23/06; B43K 8/00; B43K 8/003; A45D 34/045; B05C 17/00; B05C 1/00; B08B 1/00; B43M 11/06; B65D 47/248

See application file for complete search history.

(56) **References Cited**

U.S. PATENT DOCUMENTS

D453,896 S *	2/2002	Hirai .....	D8/99
D470,385 S *	2/2003	Chen .....	D8/107
D604,768 S *	11/2009	Andoh .....	D19/204
D705,868 S *	5/2014	Harrison .....	D19/204
D714,386 S *	9/2014	Au .....	D19/204
D746,377 S *	12/2015	Au .....	D19/117
9,211,756 B2 *	12/2015	Ballot .....	A46B 11/001
D810,824 S *	2/2018	Billado, Jr. ....	D19/204
D810,825 S *	2/2018	Billado, Jr. ....	D19/204
2019/0092086 A1 *	3/2019	Wintermantel .....	B43K 29/05

\* cited by examiner

*Primary Examiner* — Cathron C Brooks

*Assistant Examiner* — Samantha Q Lawrence

(74) *Attorney, Agent, or Firm* — Frijouf, Rust & Pyle P.A.

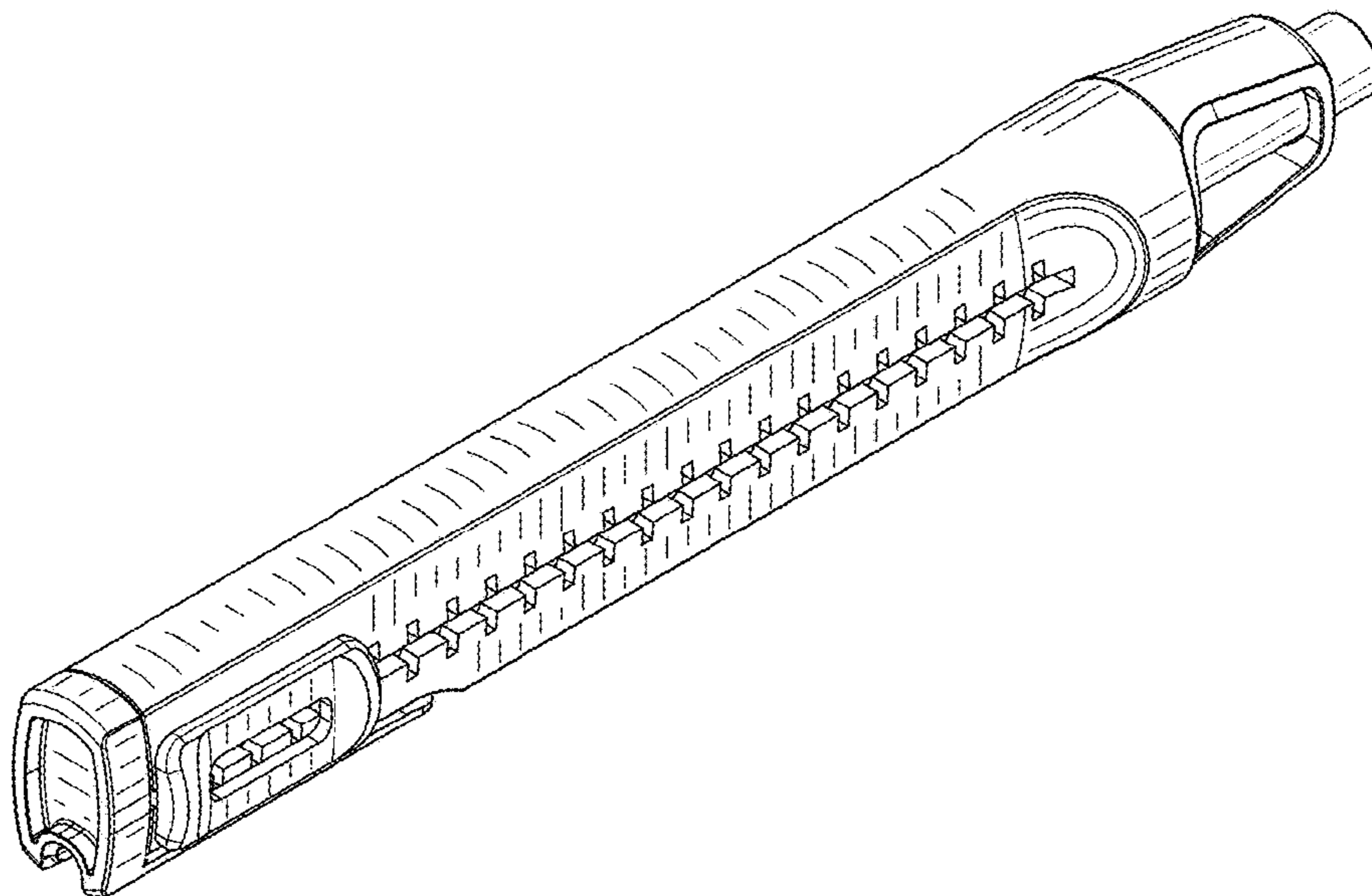
(57) **CLAIM**

The ornamental design for an applicator, as shown and described.

**DESCRIPTION**

FIG. 1 is a rear isometric view of our new design for an applicator;  
FIG. 2 is a front isometric view thereof;  
FIG. 3 is a right side view thereof;  
FIG. 4 is a left side view thereof;  
FIG. 5 is a top view thereof;  
FIG. 6 is a bottom view thereof;  
FIG. 7 is a rear view thereof; and,  
FIG. 8 is a front view thereof.

**1 Claim, 4 Drawing Sheets**



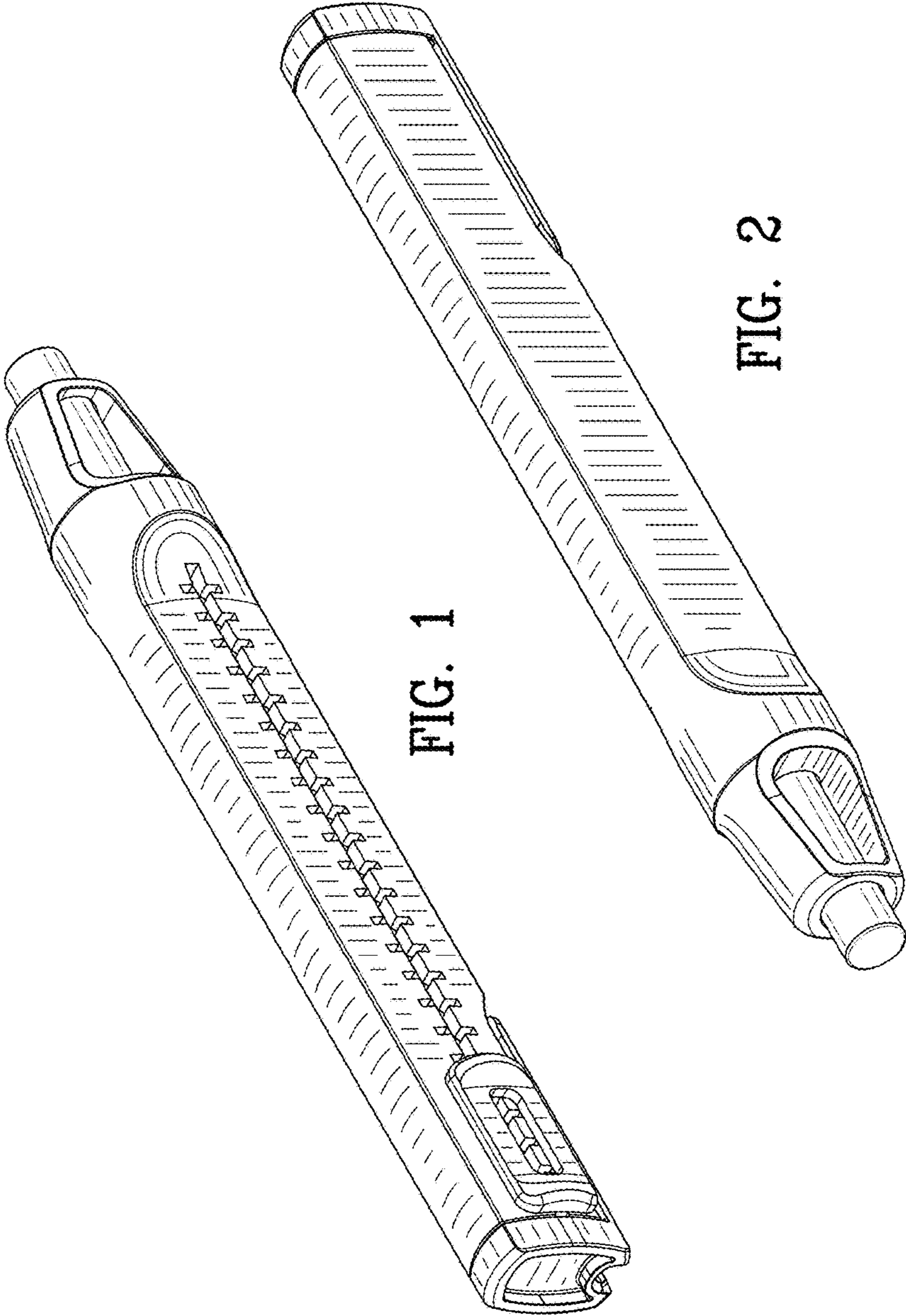


FIG. 1

FIG. 2

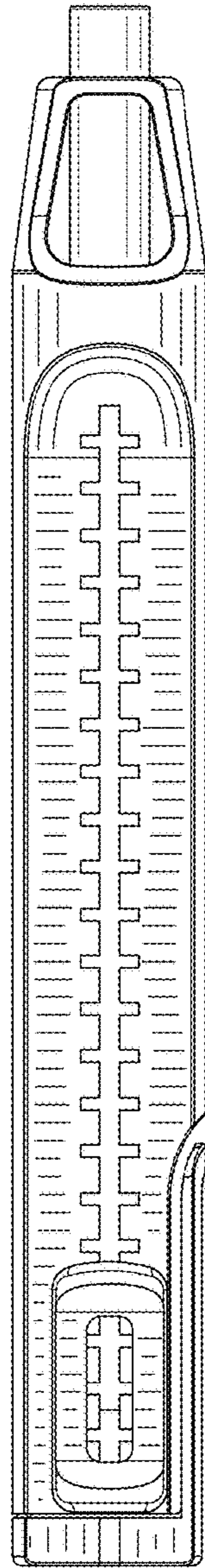


FIG. 3

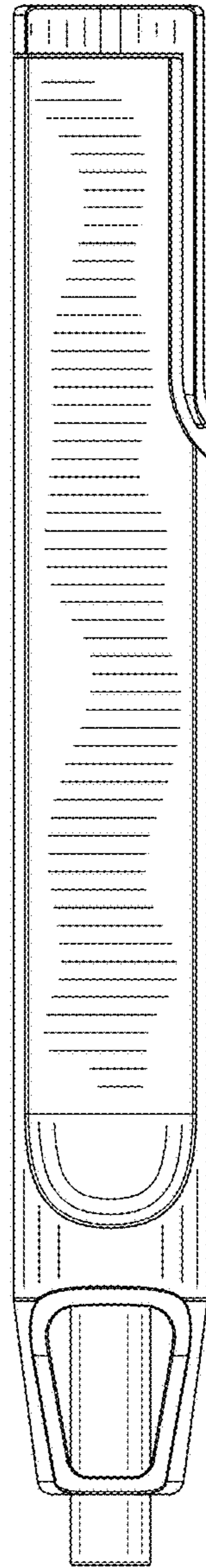


FIG. 4

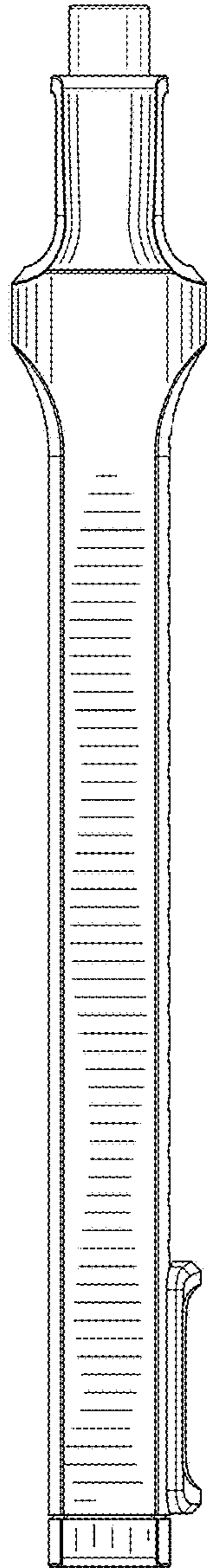


FIG. 5

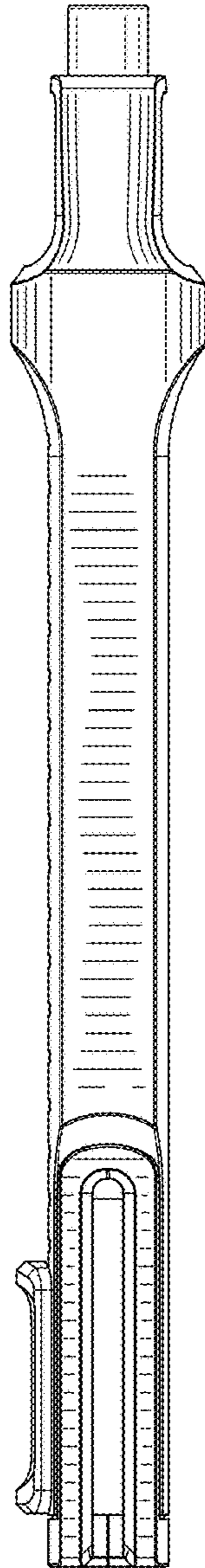


FIG. 6

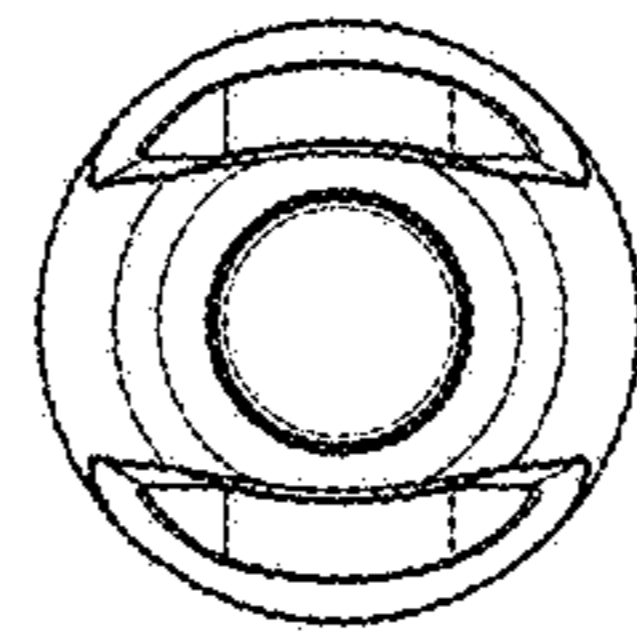


FIG. 8

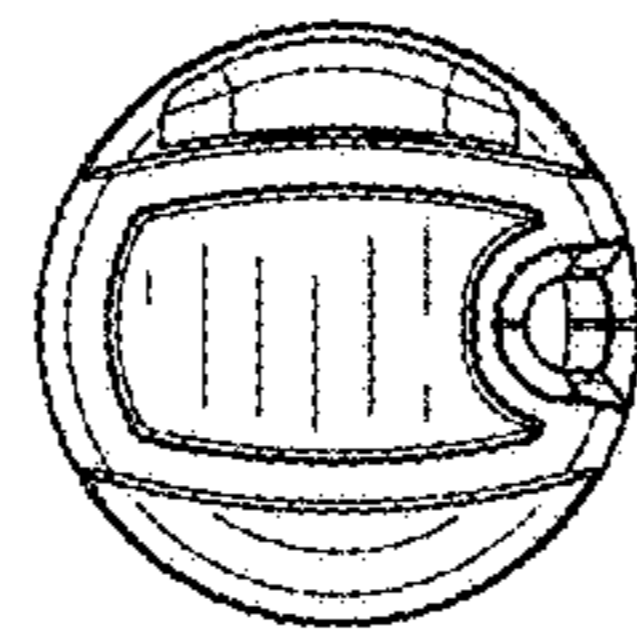


FIG. 7