



US00D858632S

(12) **United States Design Patent**
Penn

(10) **Patent No.:** **US D858,632 S**

(45) **Date of Patent:** **** Sep. 3, 2019**

- (54) **DOCUMENT HOLDER**
- (71) Applicant: **Kaseem Penn**, Kissimmee, FL (US)
- (72) Inventor: **Kaseem Penn**, Kissimmee, FL (US)
- (**) Term: **15 Years**
- (21) Appl. No.: **29/639,877**
- (22) Filed: **Mar. 9, 2018**
- (51) **LOC (12) Cl.** **19-02**
- (52) **U.S. Cl.**
USPC **D19/91; D19/3**
- (58) **Field of Classification Search**
USPC D19/3, 75, 77-78, 86-92; D3/313, 901;
D6/553, 566, 560, 570, 300, 301, 302;
D7/590, 601, 640, 641; D28/73
CPC A47B 63/00; B42D 5/005; B42D 5/006;
B42D 5/007; B43M 99/00; B43M 99/001;
B43M 99/006; B43M 99/007; B43M
99/008; B43M 99/009
See application file for complete search history.

- 3,593,913 A * 7/1971 Bremer G06K 19/02
229/68.1
- 3,693,869 A * 9/1972 Eaves, Jr. B65D 27/04
229/302
- 3,800,124 A * 3/1974 Walsh B07C 3/18
235/488
- 4,060,711 A * 11/1977 Buros G06K 19/02
235/488
- 4,128,202 A * 12/1978 Buros G06K 19/02
235/493
- D263,315 S * 3/1982 Petersson D19/3
- 4,406,647 A * 9/1983 Foffel B65D 27/00
493/216
- D283,282 S * 4/1986 Haske D6/527
- 4,644,144 A * 2/1987 Chandek B65D 27/06
229/308
- 4,927,071 A * 5/1990 Wood B42F 7/02
229/71
- 4,934,587 A * 6/1990 McNabb G06K 19/04
229/68.1
- 5,049,118 A * 9/1991 McNabb G06K 19/04
493/210
- 5,062,570 A * 11/1991 Ashby B42D 5/025
229/69

(Continued)

Primary Examiner — Elizabeth A. Albert

(56) **References Cited**
U.S. PATENT DOCUMENTS

- 3,429,431 A * 2/1969 Macondray A47F 1/126
206/338
- 3,431,404 A * 3/1969 Brink B07C 3/18
229/68.1
- 3,442,438 A * 5/1969 Marban B65D 27/36
206/232
- 3,459,361 A * 8/1969 Matton B65D 31/12
206/312
- 3,528,715 A * 9/1970 Williams, Jr. A47B 63/00
312/184
- 3,576,972 A * 5/1971 Wood B07C 3/18
229/71
- 3,588,456 A * 6/1971 McNabb G06K 19/02
229/68.1

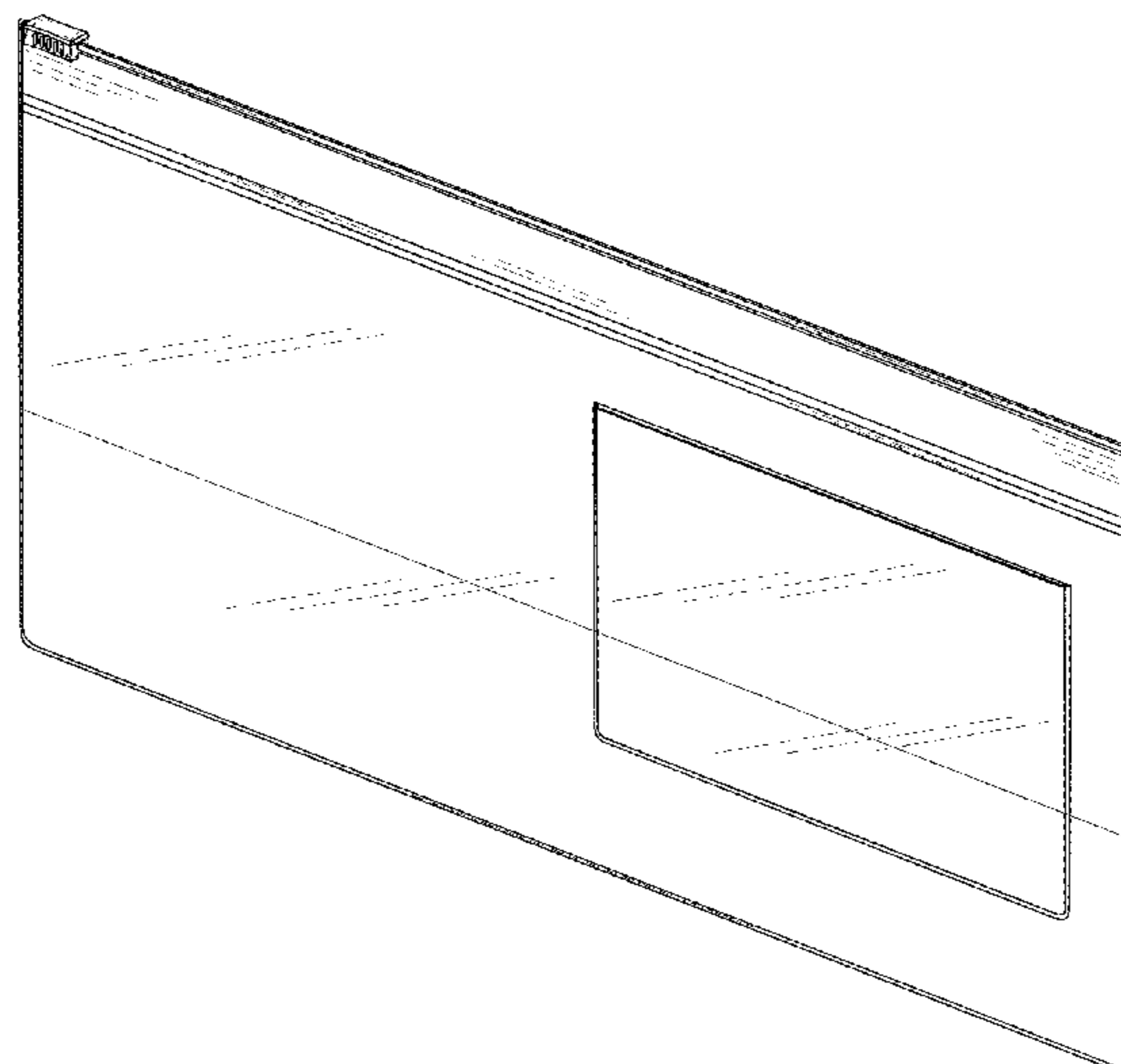
(57) **CLAIM**

The ornamental design for a document holder, as shown and described.

DESCRIPTION

FIG. 1 is a perspective view of a document holder showing my new design;
FIG. 2 is a front elevational view thereof;
FIG. 3 is a rear elevational view thereof;
FIG. 4 is a right side elevational view thereof;
FIG. 5 is a left side elevational view thereof;
FIG. 6 is a top plan view thereof; and,
FIG. 7 is a bottom plan view thereof.

1 Claim, 7 Drawing Sheets



(56)

References Cited

U.S. PATENT DOCUMENTS

5,271,553	A *	12/1993	Kim	B65D 77/32 229/303
7,225,975	B1 *	6/2007	Cantley	B42F 7/025 229/71
D583,409	S *	12/2008	Fagan	D19/3
D591,341	S *	4/2009	Fagan	D19/3
7,717,329	B1 *	5/2010	Cantley	B42F 7/025 229/71
7,721,943	B2 *	5/2010	Perrone	B65D 27/06 229/304
8,272,564	B2 *	9/2012	Cantley	B42F 7/025 235/379
D681,729	S *	5/2013	Glass	D19/3
2005/0179255	A1 *	8/2005	Olson	B42D 5/025 283/105

* cited by examiner

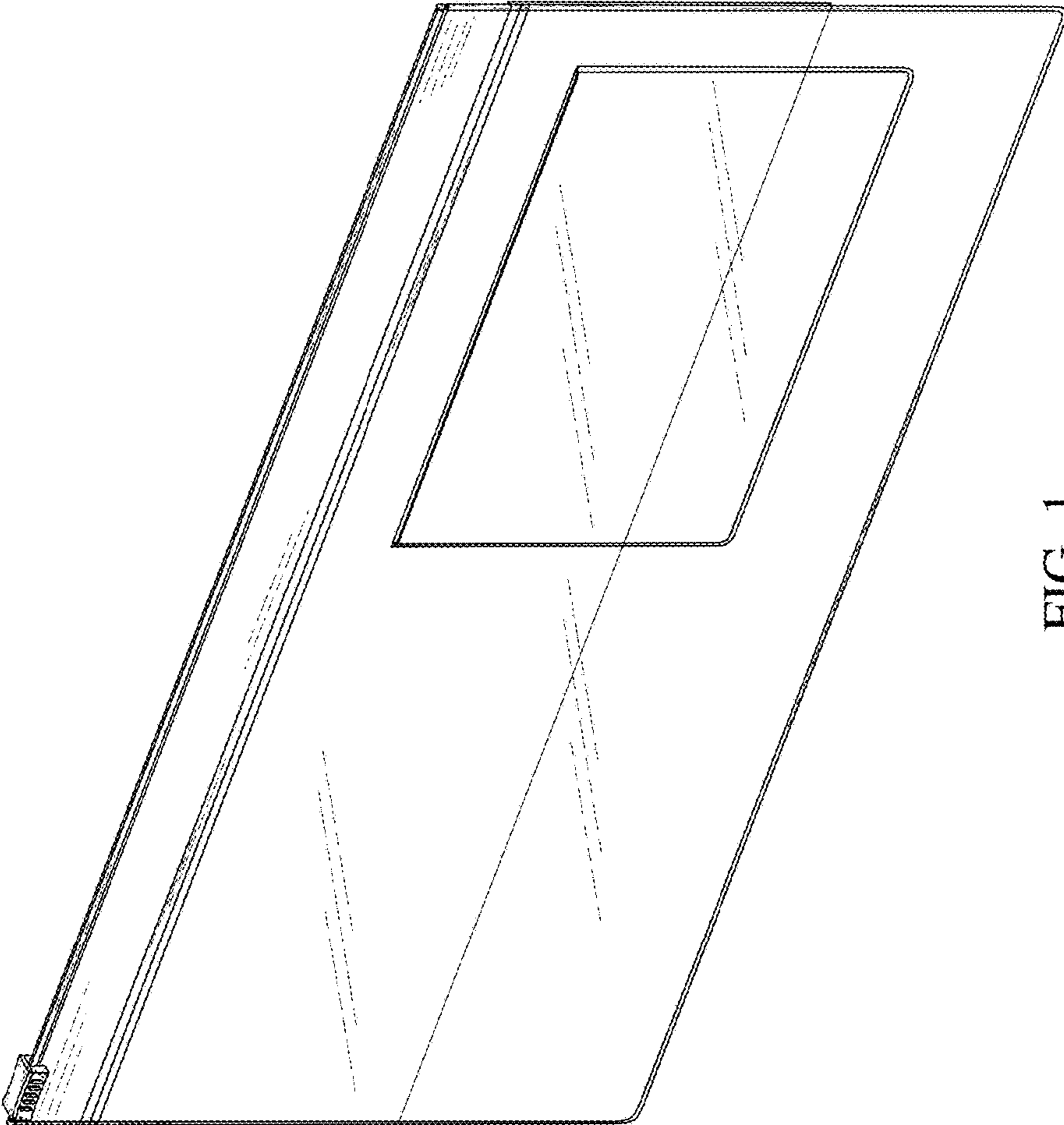


FIG. 1

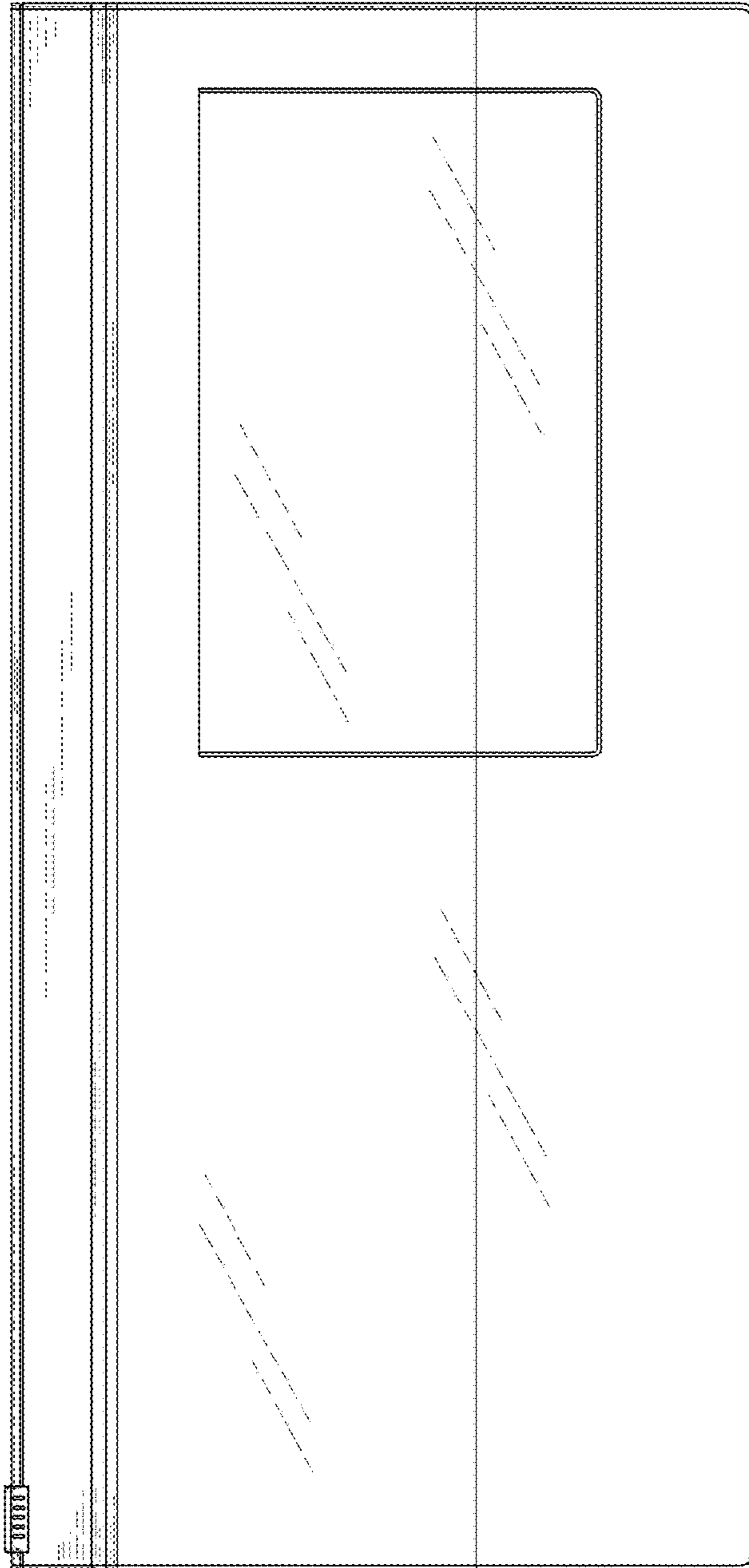


FIG. 2

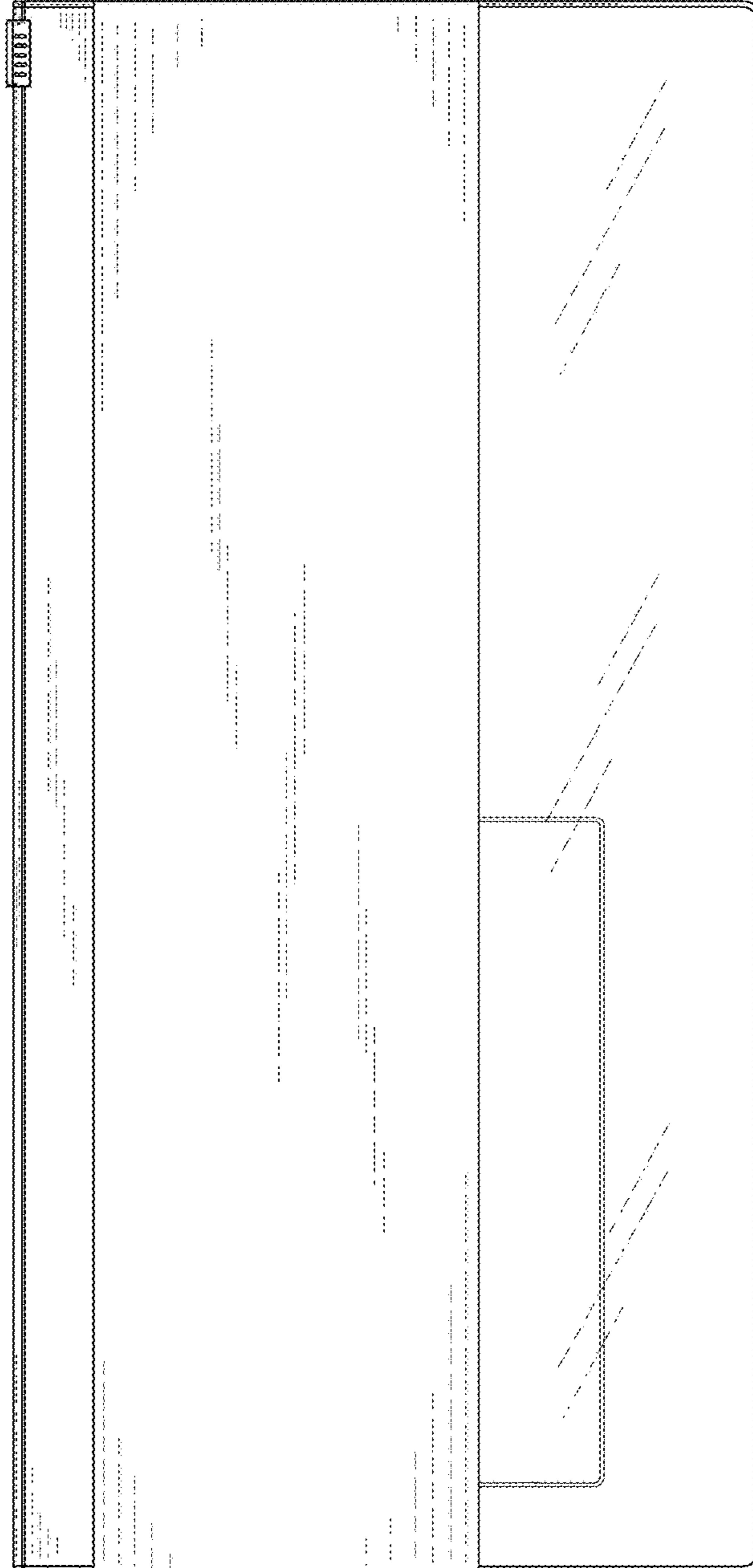


FIG. 3



FIG. 4



FIG. 5



FIG. 6



FIG. 7