



US00D858631S

(12) **United States Design Patent** (10) **Patent No.:** **US D858,631 S**
Ye (45) **Date of Patent:** **** Sep. 3, 2019**

(54) **DEMONSTRATION TOOL**
(71) Applicant: **Carl Zeiss Vision International GmbH**, Aalen (DE)
(72) Inventor: **Seo Ji Ye**, Anyangsi (KR)
(73) Assignee: **Carl Zeiss Vision International GmbH**, Aalen (DE)

(**) Term: **15 Years**
(21) Appl. No.: **29/664,726**

(22) Filed: **Sep. 27, 2018**

(30) **Foreign Application Priority Data**

Mar. 27, 2018 (EM) 005132750-0001

(51) **LOC (12) Cl.** **19-07**

(52) **U.S. Cl.**
USPC **D19/62; D20/43**

(58) **Field of Classification Search**
USPC D19/59-64; D20/43
CPC G06N 99/005; G02C 7/022; G02C 7/024;
G02C 7/025; G02C 7/027; G02C 7/06;
G02C 7/061; G02C 7/063; G02C 7/065;
G02C 7/066; G02C 7/068; G02C 7/08;
G02C 7/081; G02C 7/083; G02C 7/085;
G02C 7/086; G02C 7/088

See application file for complete search history.

(56) **References Cited**

U.S. PATENT DOCUMENTS

D201,017 S * 5/1965 Pohmann D19/59
D322,094 S * 12/1991 Holloway D19/63
D375,764 S * 11/1996 Hollinger D21/371
D637,646 S * 5/2011 Malen D19/62
D642,078 S * 7/2011 Balter D10/14
D760,318 S * 6/2016 Petrocelli D20/10
D784,449 S * 4/2017 Hebner D19/62

D815,865 S * 4/2018 Gauggel D6/677
D837,862 S * 1/2019 Marx D16/202
D843,457 S * 3/2019 Kott D20/43
2012/0162600 A1 * 6/2012 Pugh G02C 7/04
351/159.03
2019/0086691 A1 * 3/2019 Lappe G02C 7/027
2019/0110679 A1 * 4/2019 MacKool A61B 3/103

FOREIGN PATENT DOCUMENTS

EP 3404463 A1 * 11/2018 G02B 27/0012

OTHER PUBLICATIONS

Alibaba. Link: https://www.alibaba.com/product-detail/CR39-eyeglass-demo-lens_60543334591.html. Visited May 7, 2019. CR39 eyeglass demo lens. (Year: 2019).*

* cited by examiner

Primary Examiner — Susan Bennett Hattan

Assistant Examiner — Lauren D McVey

(74) *Attorney, Agent, or Firm* — Ewers & Hasselmann PLLC

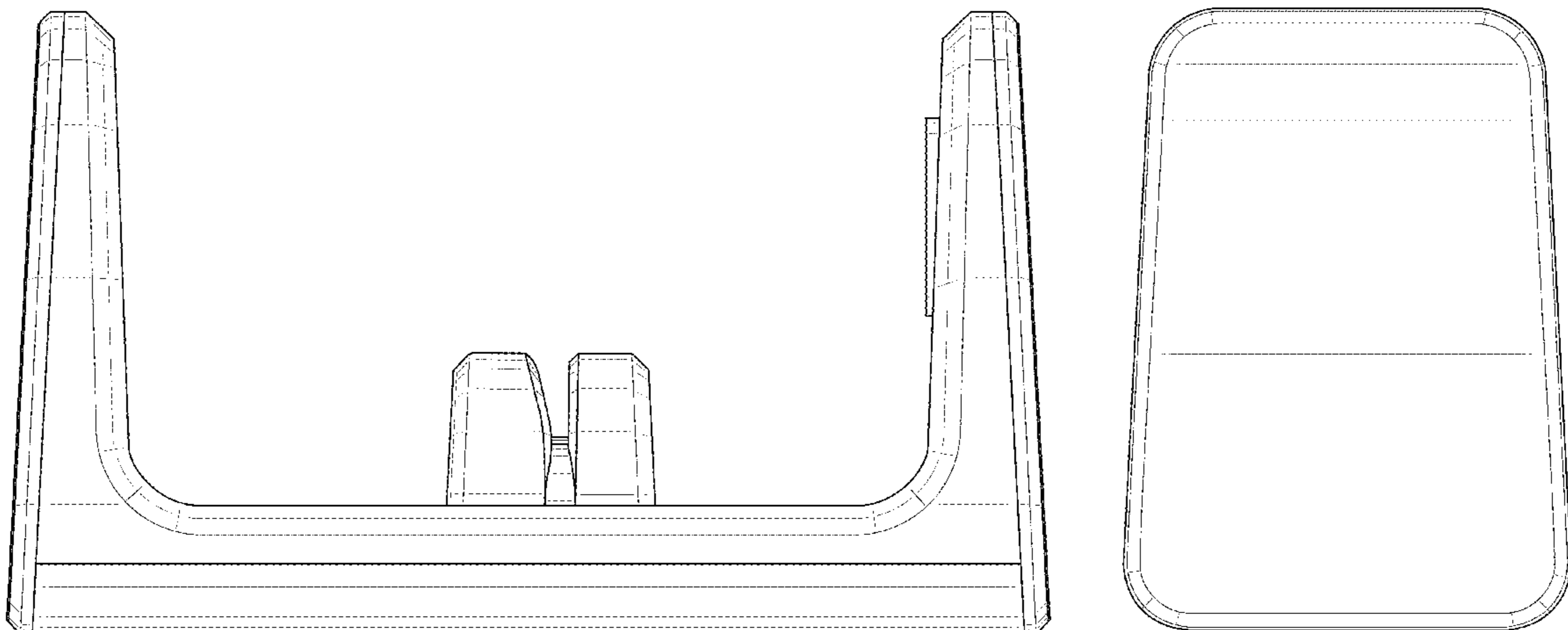
(57) **CLAIM**

The ornamental design for a demonstration tool, as shown and described.

DESCRIPTION

FIG. 1 is a front perspective view of a demonstration tool, showing my new design;
FIG. 2 is a rear perspective view thereof;
FIG. 3 is a front elevation view thereof;
FIG. 4 is a rear elevation view thereof;
FIG. 5 is a right-side elevation view thereof;
FIG. 6 is a left-side elevation view thereof;
FIG. 7 is a top plan view thereof; and,
FIG. 8 is a bottom plan view thereof.

1 Claim, 8 Drawing Sheets



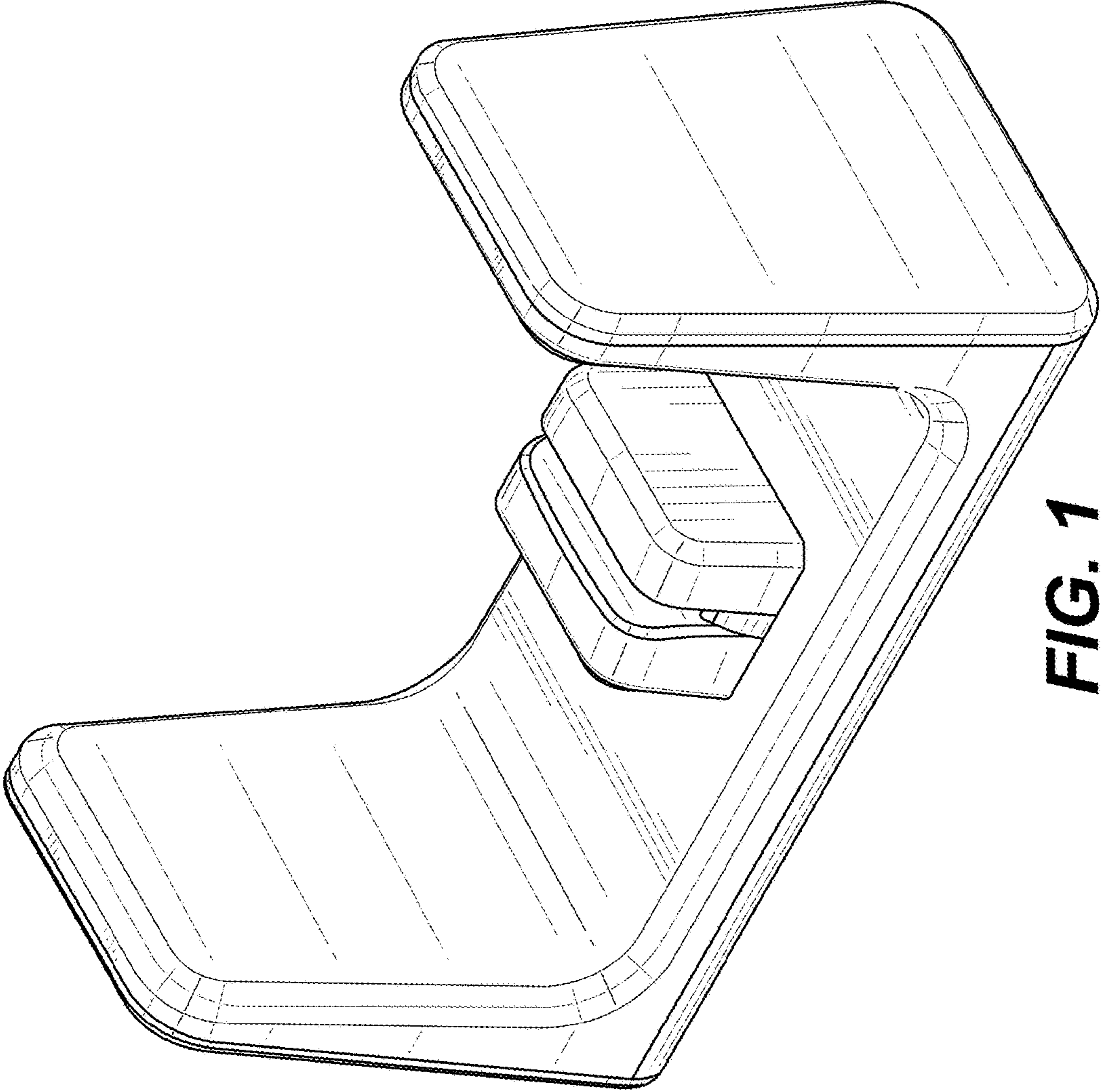


FIG. 1

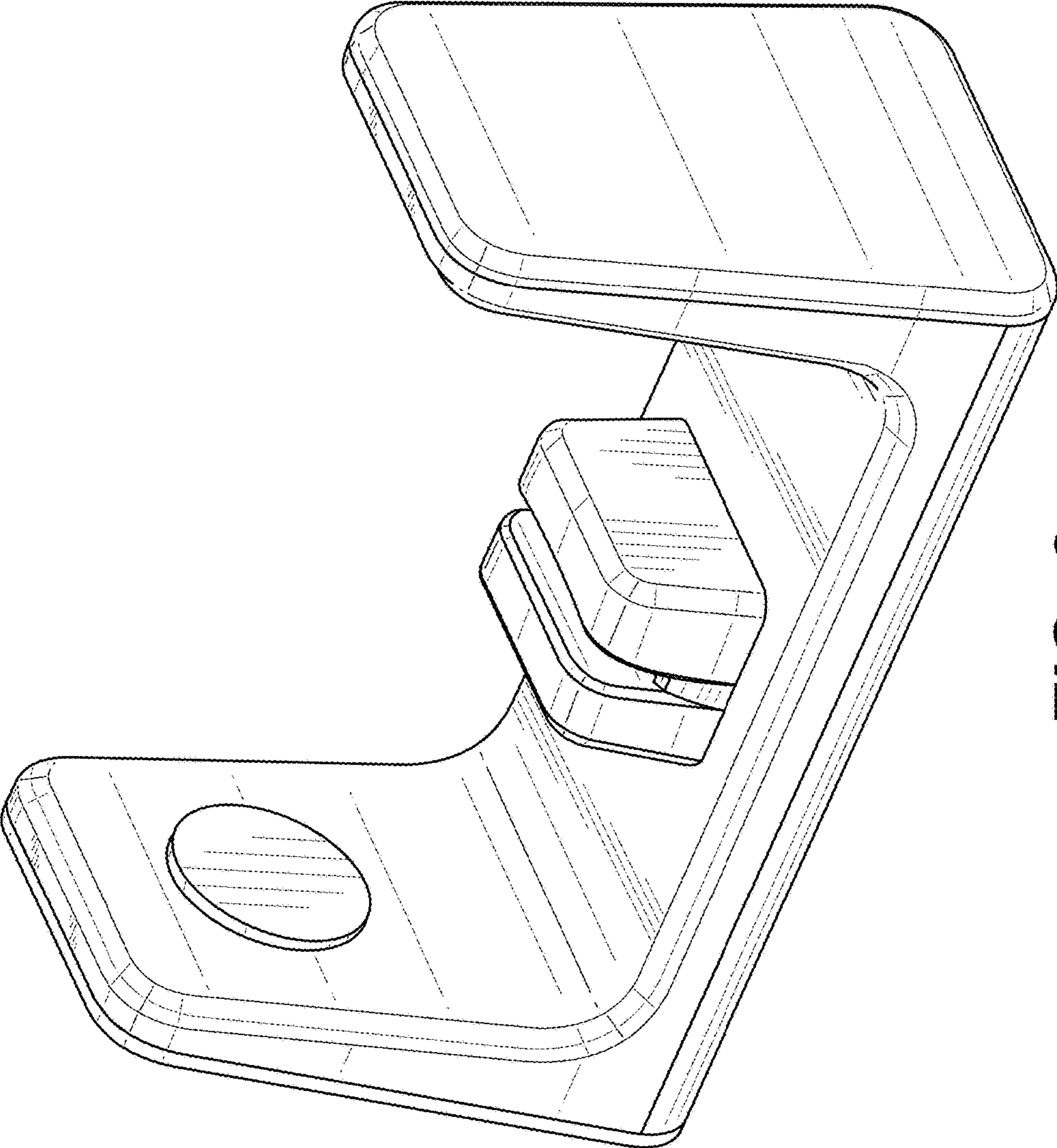


FIG. 2

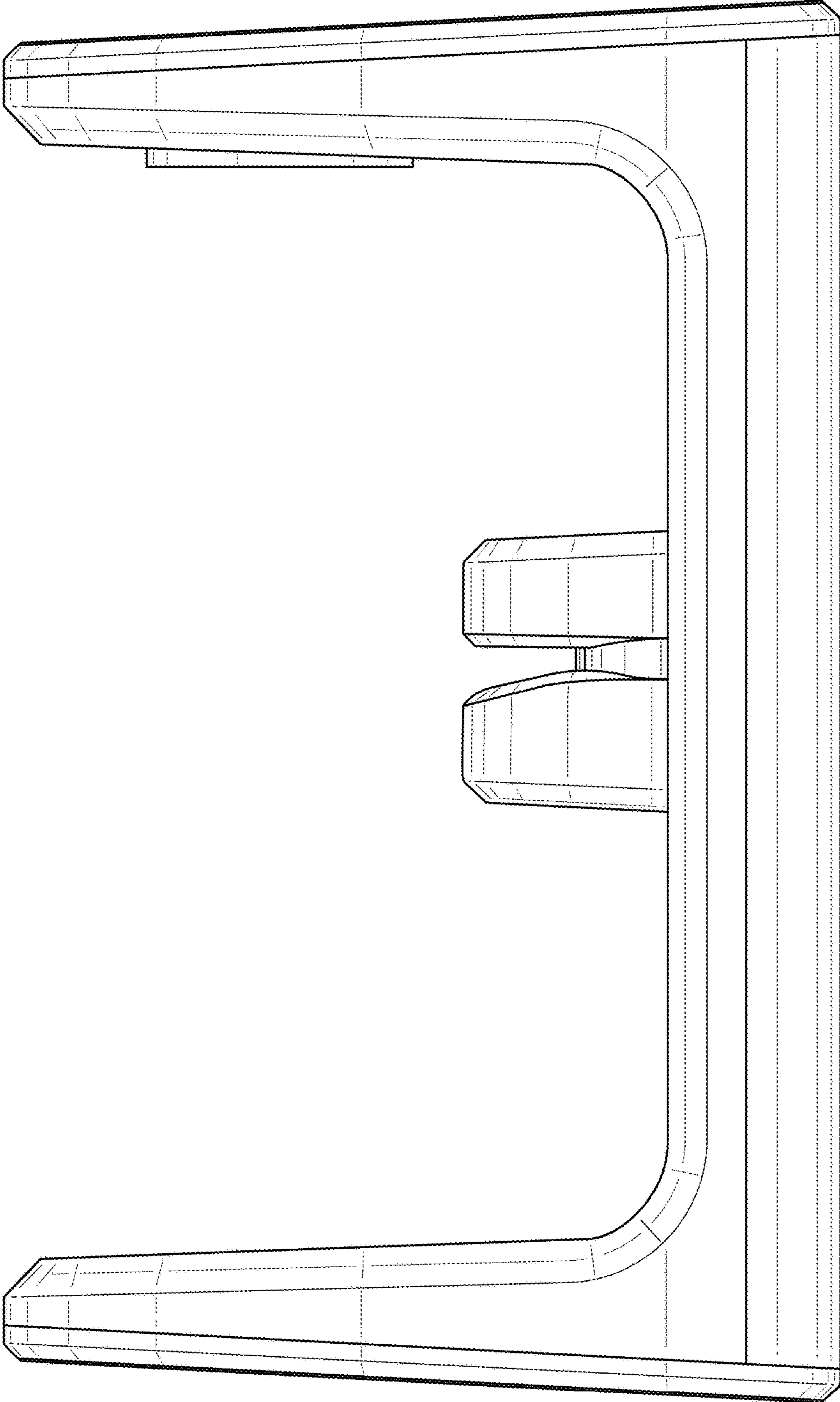


FIG. 3

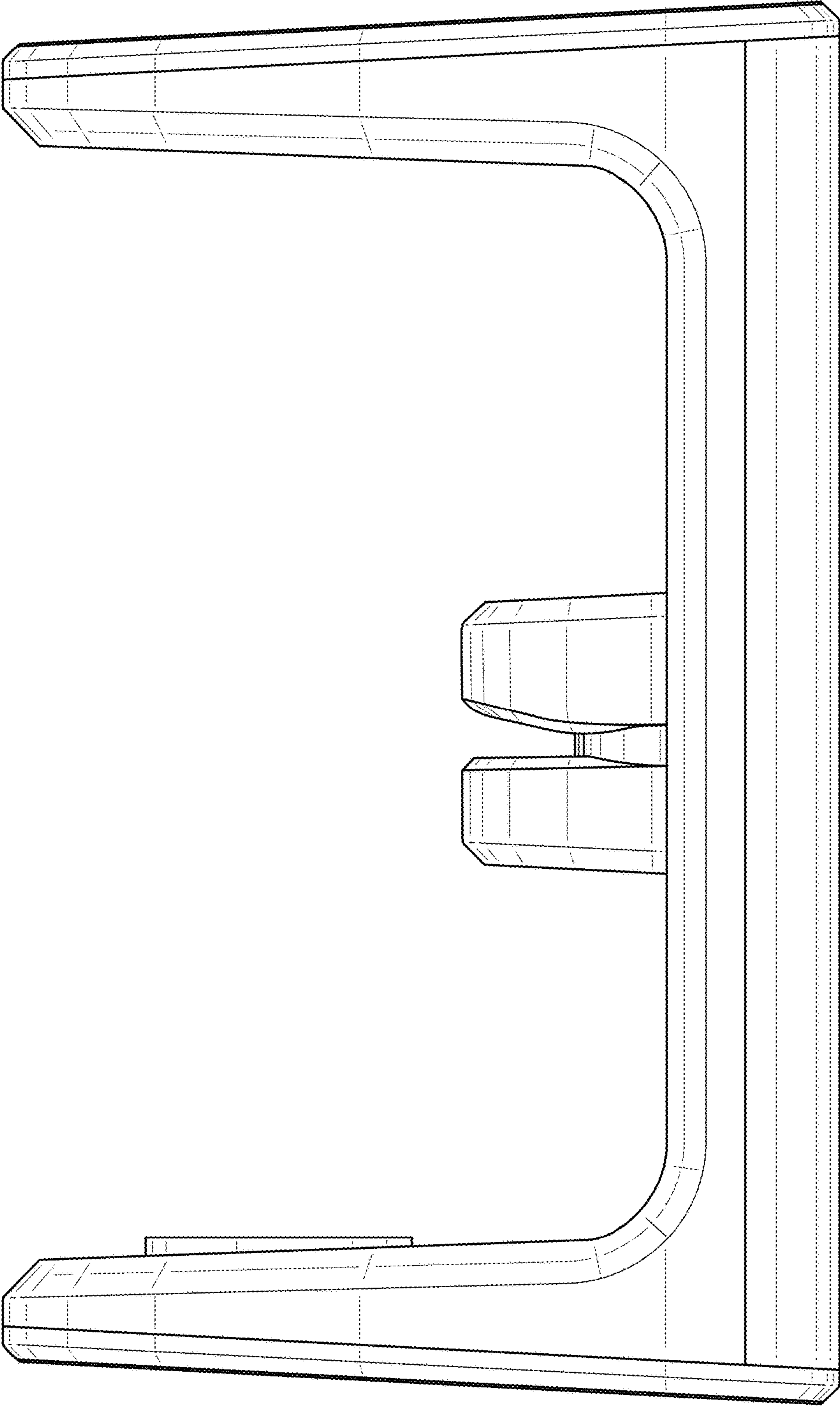


FIG. 4

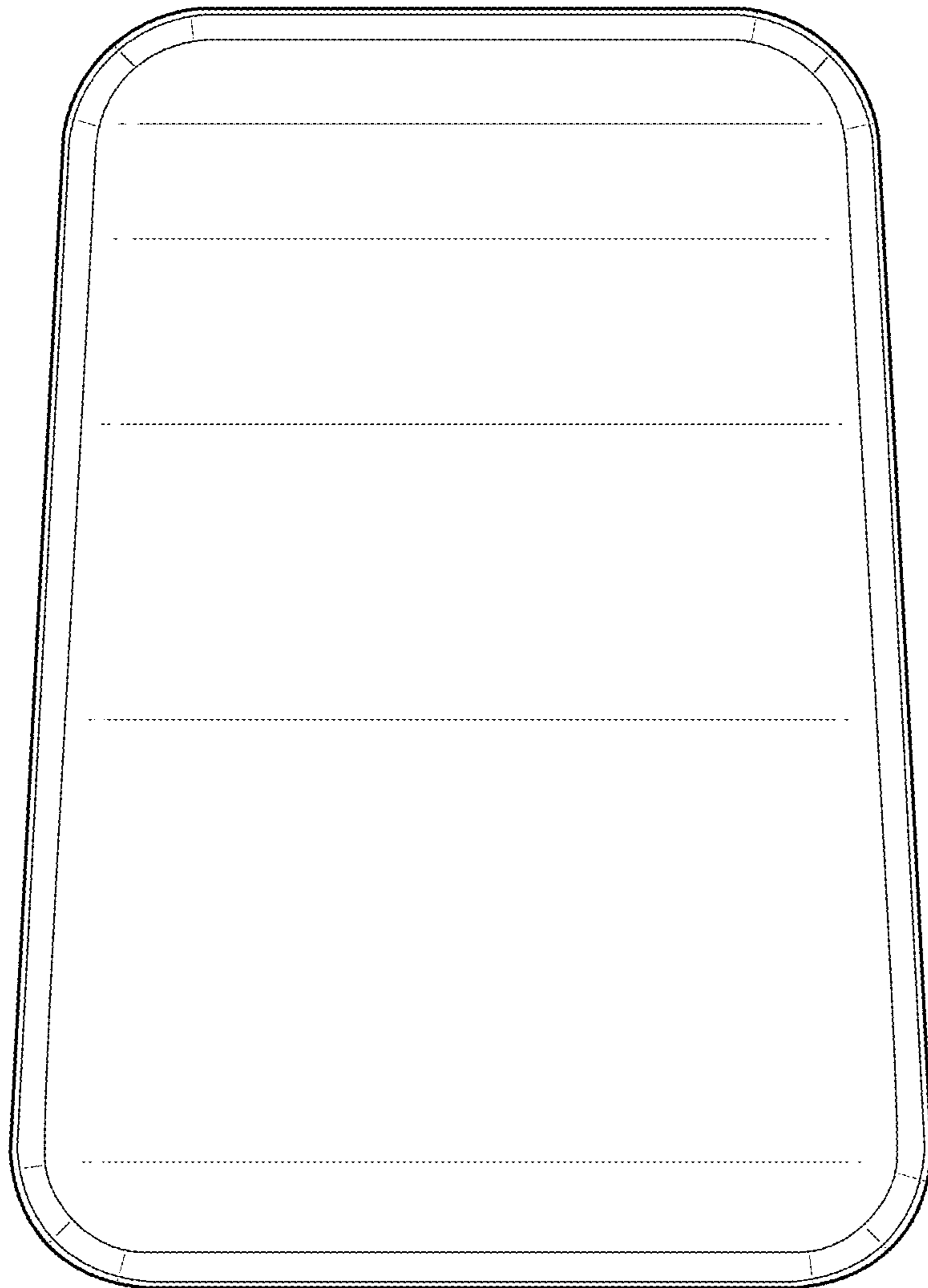


FIG. 5

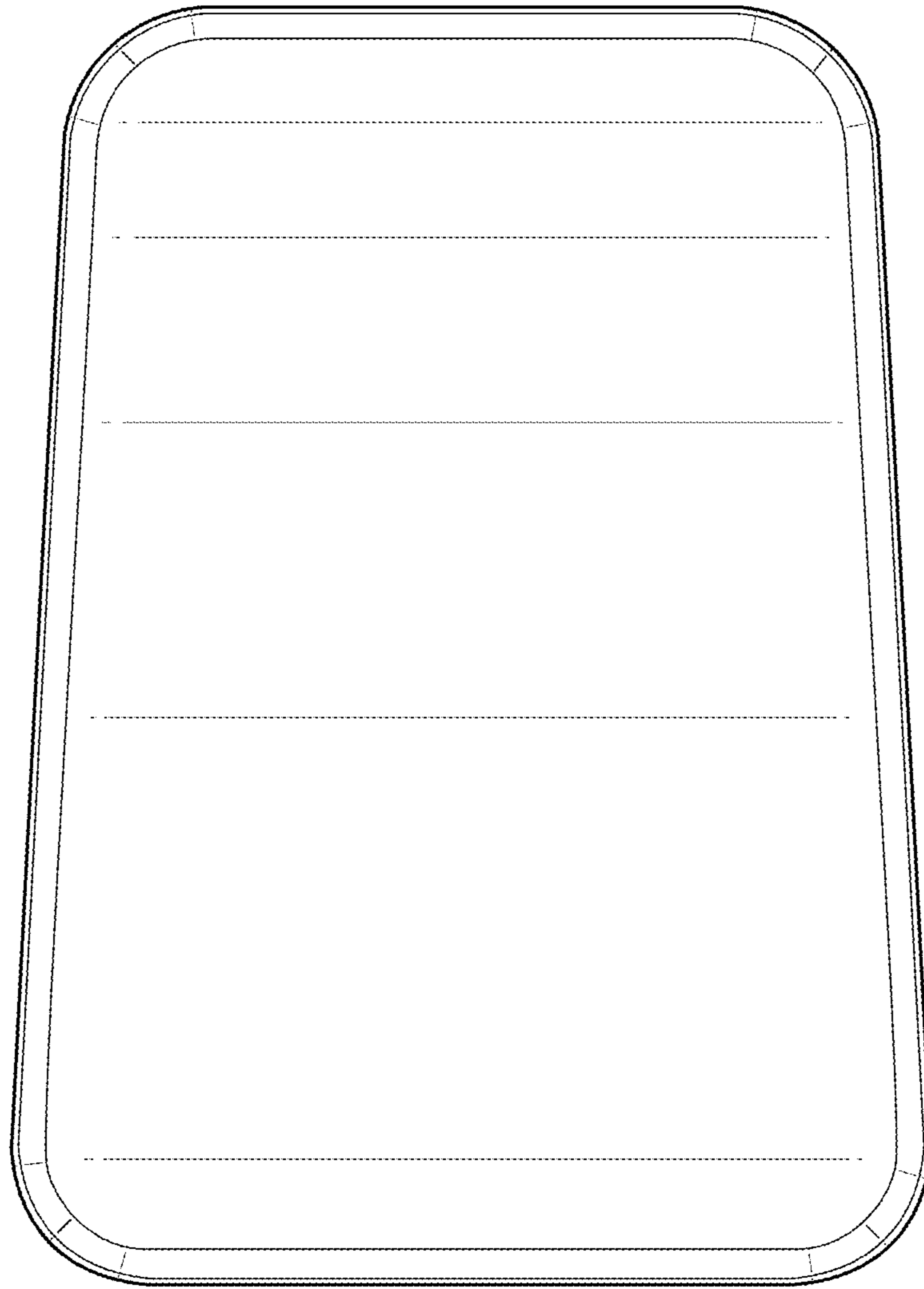


FIG. 6

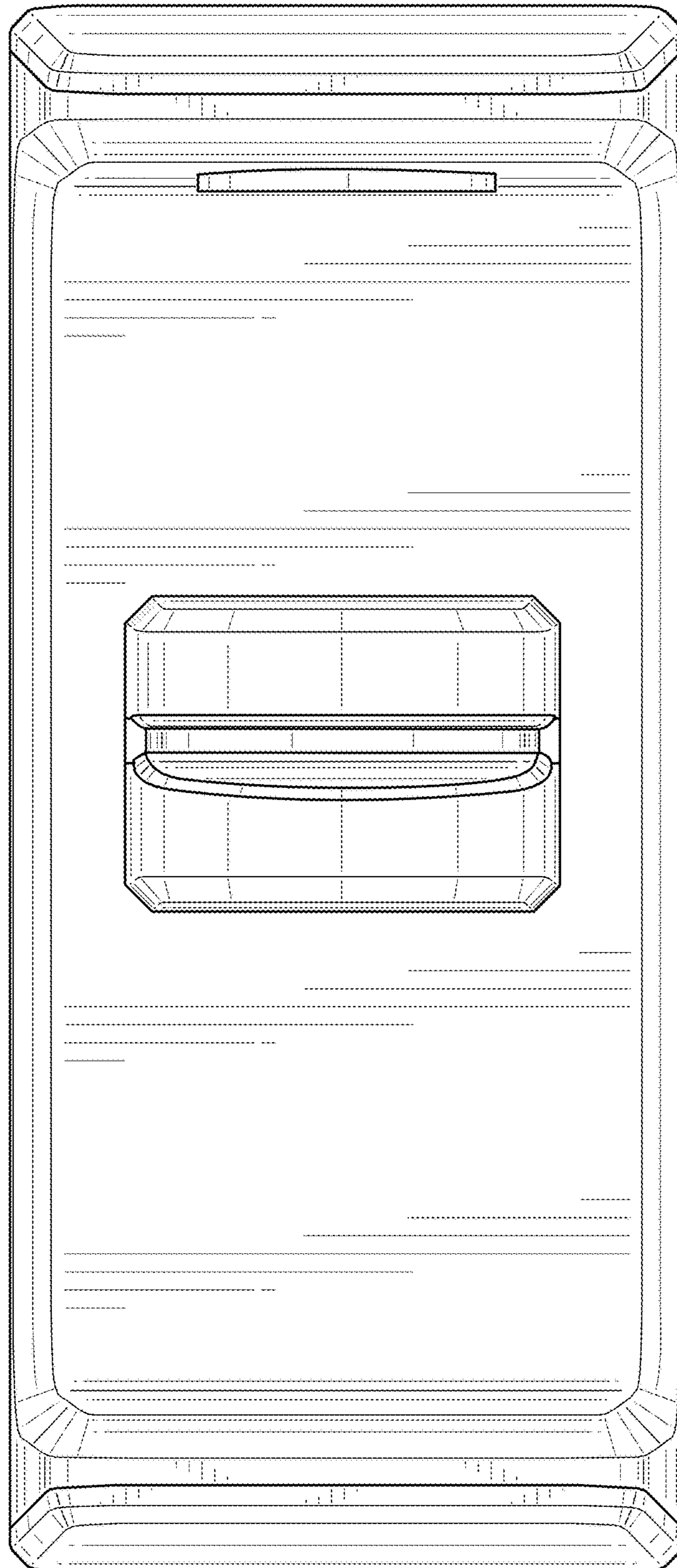


FIG. 7

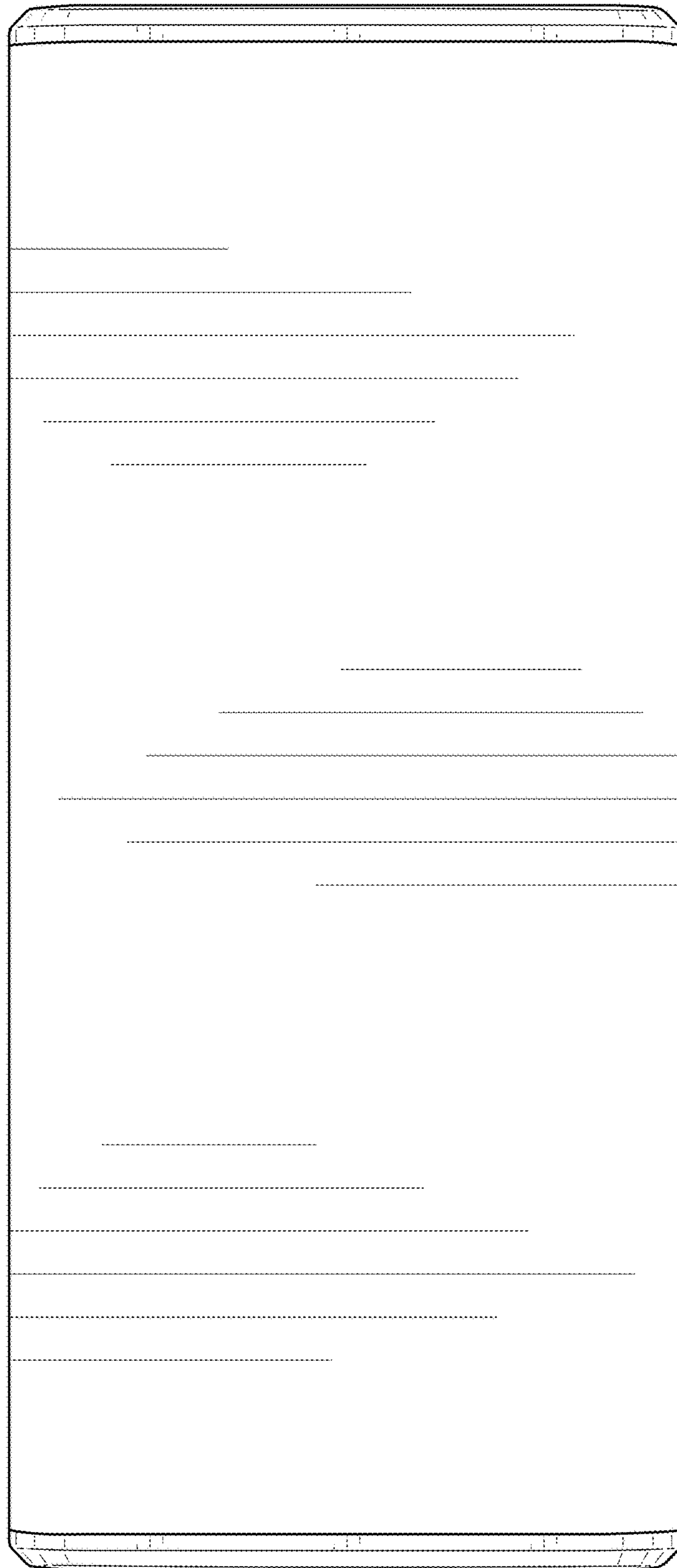


FIG. 8