



US00D858628S

(12) **United States Design Patent**
Guo et al.

(10) **Patent No.:** **US D858,628 S**
(45) **Date of Patent:** **** Sep. 3, 2019**

(54) **LABEL CARTRIDGE**

(71) Applicant: **AIMO MARKING CO., LTD**, Zhuhai, Guangdong (CN)

(72) Inventors: **Jinpeng Guo**, Guangdong (CN); **Wei Du**, Guangdong (CN)

(73) Assignee: **AIMO MARKING CO., LTD**, Zhuhai (CN)

(**) Term: **15 Years**

(21) Appl. No.: **29/627,235**

(22) Filed: **Nov. 24, 2017**

(30) **Foreign Application Priority Data**

Jul. 27, 2017 (CN) 2017 3 0336027

(51) **LOC (12) Cl.** **18-02**

(52) **U.S. Cl.**
USPC **D18/56**

(58) **Field of Classification Search**

USPC D18/12, 56, 19, 14, 53, 50, 54, 59, 36,
D18/38, 39, 40, 41, 45, 34.4, 34.5, 34.6;
D14/314, 332, 348-349, 351, 352;
D19/68

CPC B41J 3/4075; B65C 11/00; B65C 11/02;
B65C 11/0205; B65C 11/021; B65C
11/0215; B65C 11/0221; B65C 11/0226;
B65C 11/0231; B65C 11/0236; B65C
11/0242; B65C 11/0252; B65C 11/0257;
B65C 11/0268; B65C 11/0273; B65C
11/0284; B65C 11/0289; B65C 11/0294;
B65C 11/04; B65C 11/046; B65C 11/06;
B65C 11/062; B65C 11/064; B65C
11/066; B65C 11/068

See application file for complete search history.

(56) **References Cited**

U.S. PATENT DOCUMENTS

5,771,803 A * 6/1998 Takami B41C 1/144
101/128.21
5,813,773 A * 9/1998 Kawai B41J 32/00
400/207
D647,127 S * 10/2011 Mita B41J 15/044
D18/12

(Continued)

FOREIGN PATENT DOCUMENTS

EP 0684143 A2 * 11/1995 B26D 5/00
EP 1084852 A1 * 3/2001 B41J 3/4075

(Continued)

OTHER PUBLICATIONS

Uline. Link: https://www.uline.com/Product/Detail/S-21860/Brother-P-Touch-Label-Makers-and-Tape/Brother-P-Touch-TZe-Tape-White-on-Black-1-2?pricode=WB0990&gadtype=pla&id=S-21860&gclid=EAlaIQobChMI-57P2de54QIVAIYMCh1ZvwCVEAQYAiABEgl03vD_BwE&gclsrc=aw.ds. Visited Apr. 5, 2019. Brother® P-Touch®. (Year: 2019).*

Primary Examiner — Susan Bennett Hattan

Assistant Examiner — Lauren D McVey

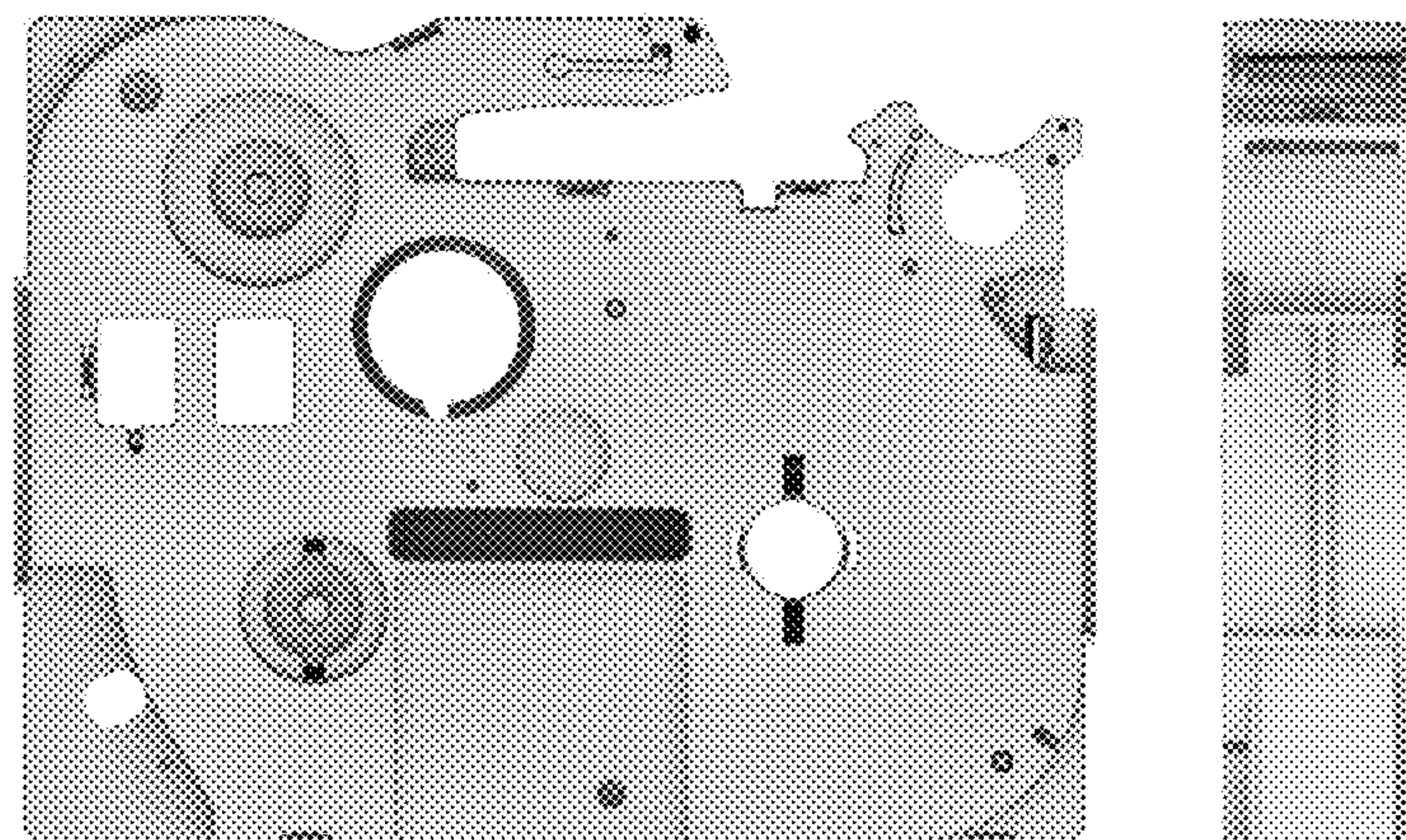
(57) **CLAIM**

The ornamental design for a label cartridge, as shown and described.

DESCRIPTION

FIG. 1 is a front elevational view of a label cartridge showing our new design;
FIG. 2 is a rear elevational view thereof;
FIG. 3 is a left side view thereof;
FIG. 4 is a right side view thereof;
FIG. 5 is a bottom plan view thereof;
FIG. 6 is a top plan view thereof;
FIG. 7 is a first perspective view thereof;
FIG. 8 is a second perspective view thereof;
FIG. 9 is a third perspective view thereof;
FIG. 10 is a fourth perspective view thereof;
FIG. 11 is a fifth perspective view thereof; and,
FIG. 12 is a sixth perspective view thereof.

1 Claim, 12 Drawing Sheets



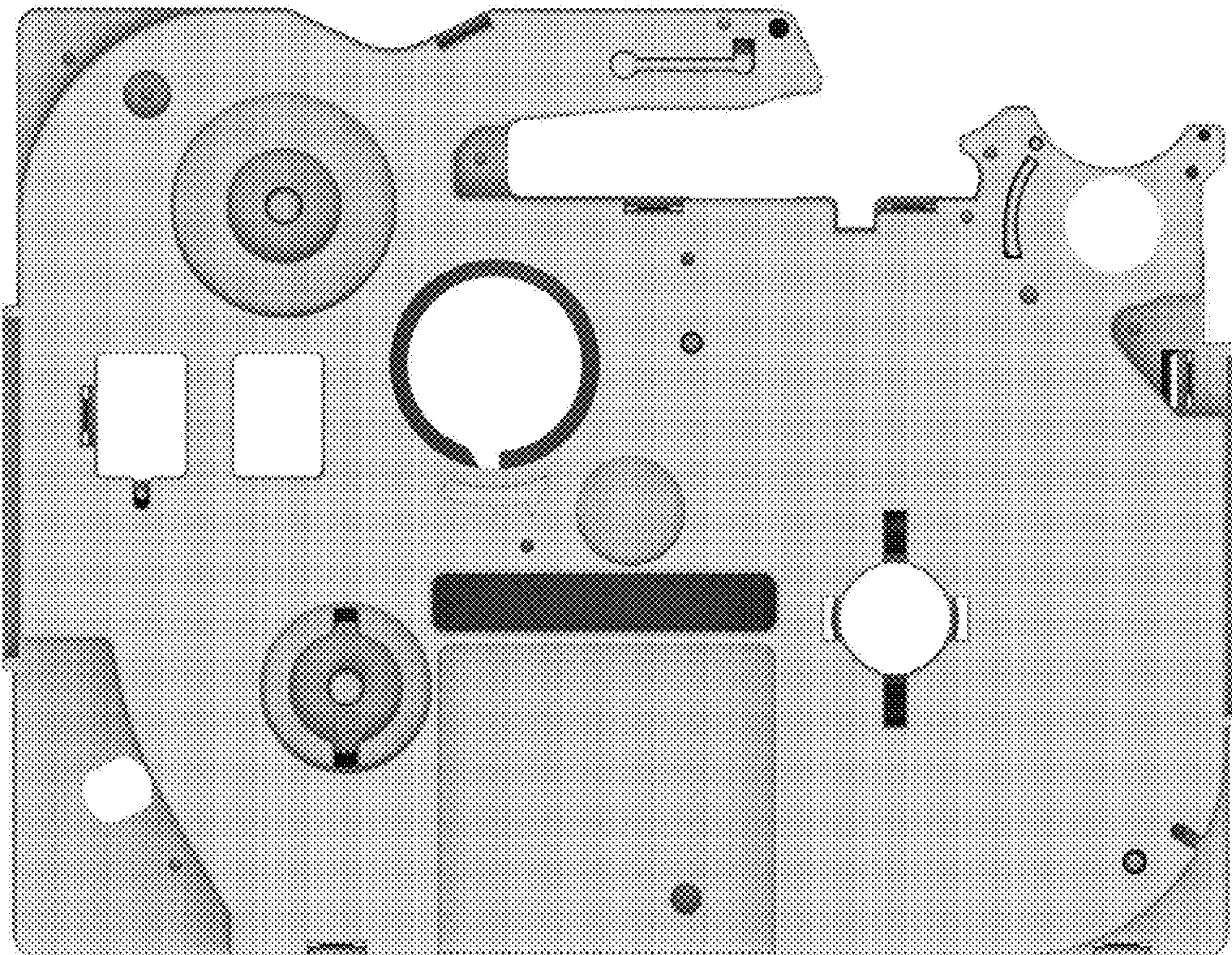


FIG.1

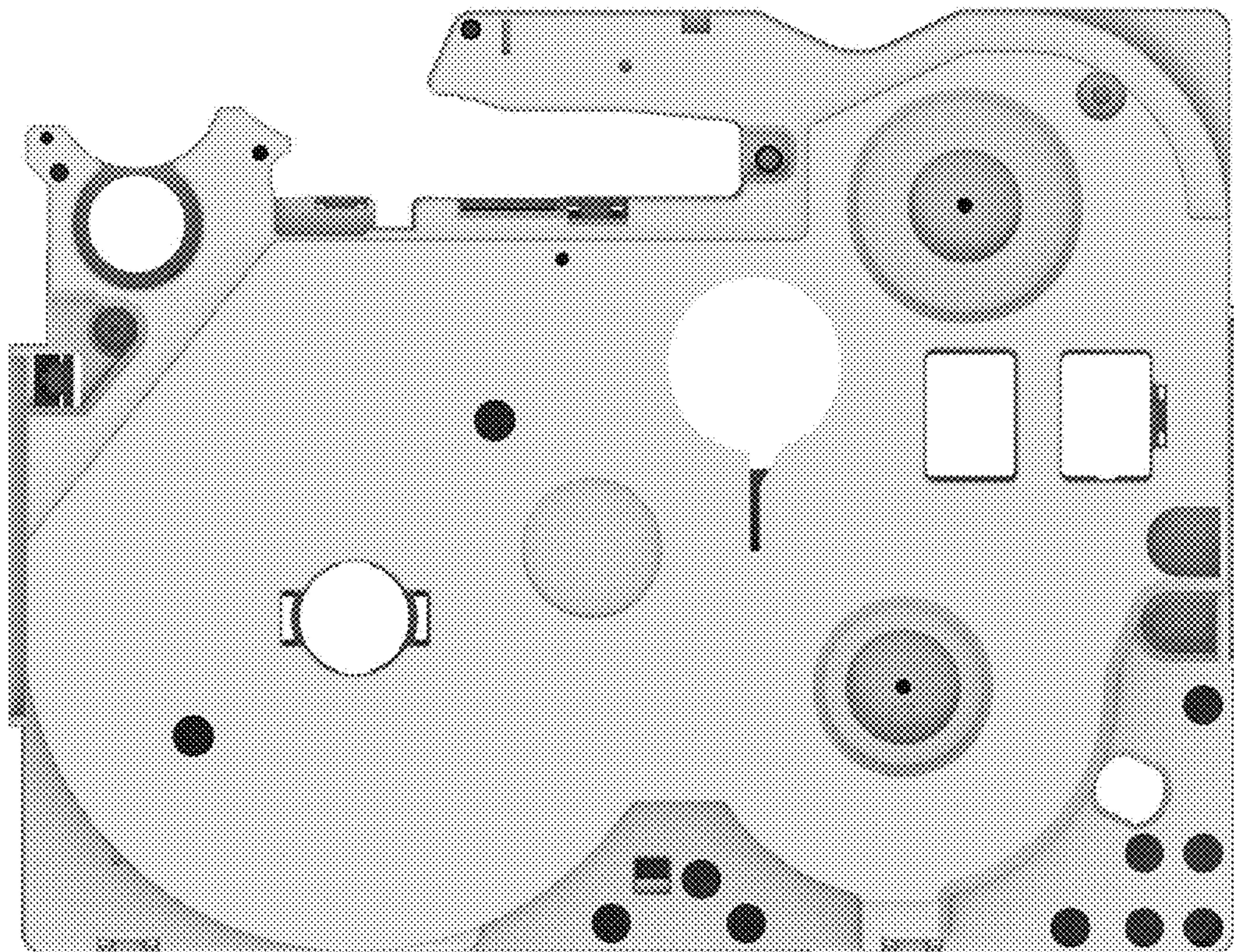


FIG.2

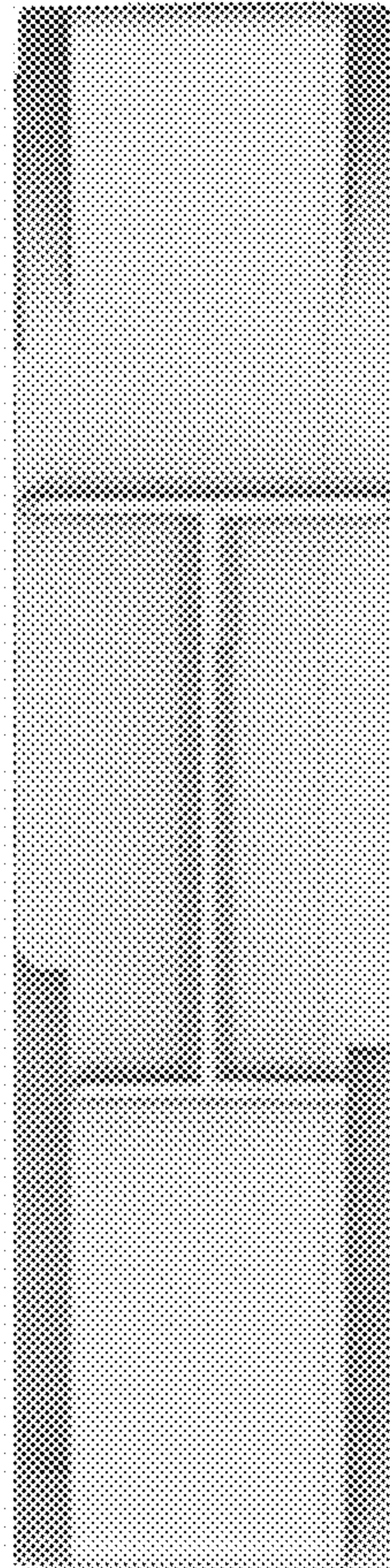


FIG.3

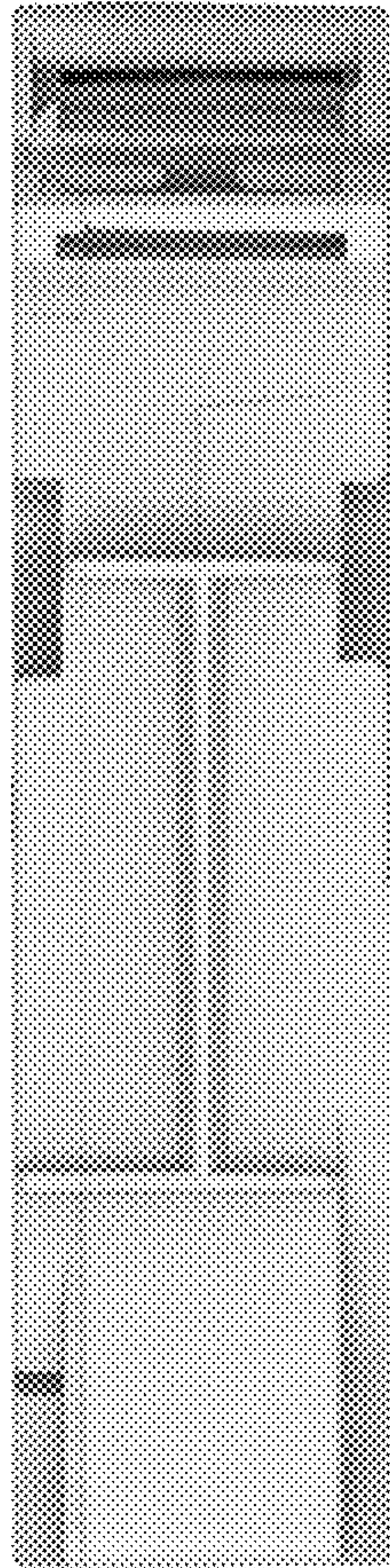


FIG.4

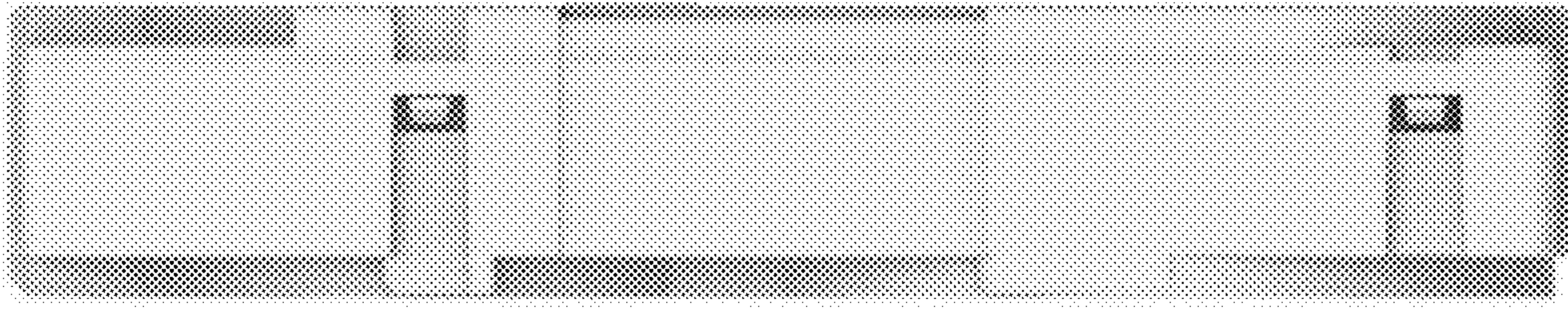


FIG.5

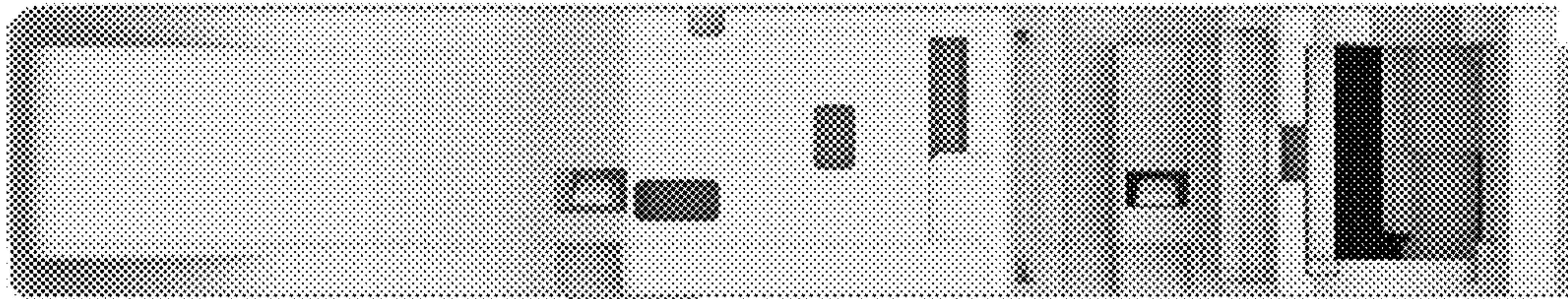


FIG.6

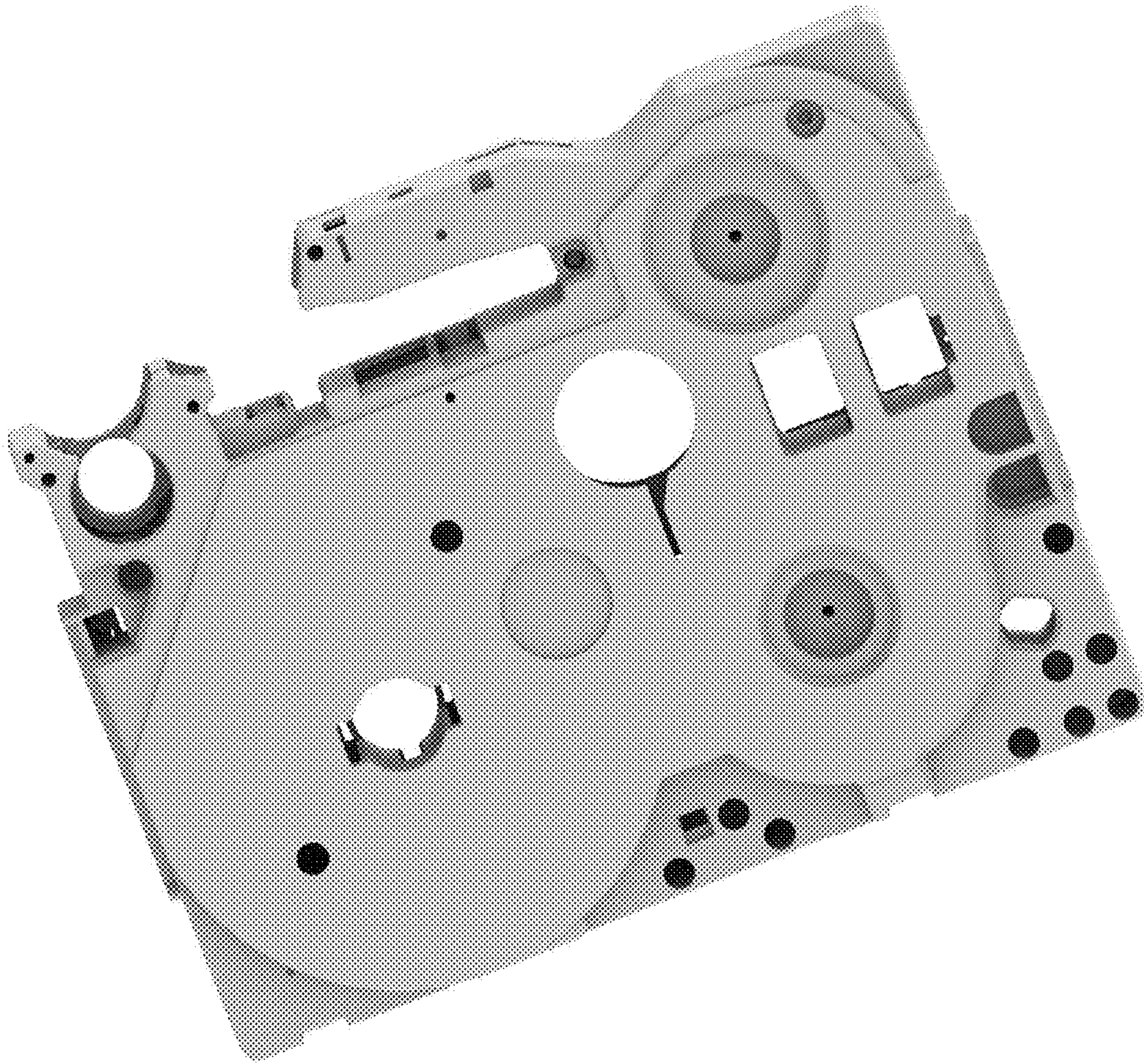


FIG.7

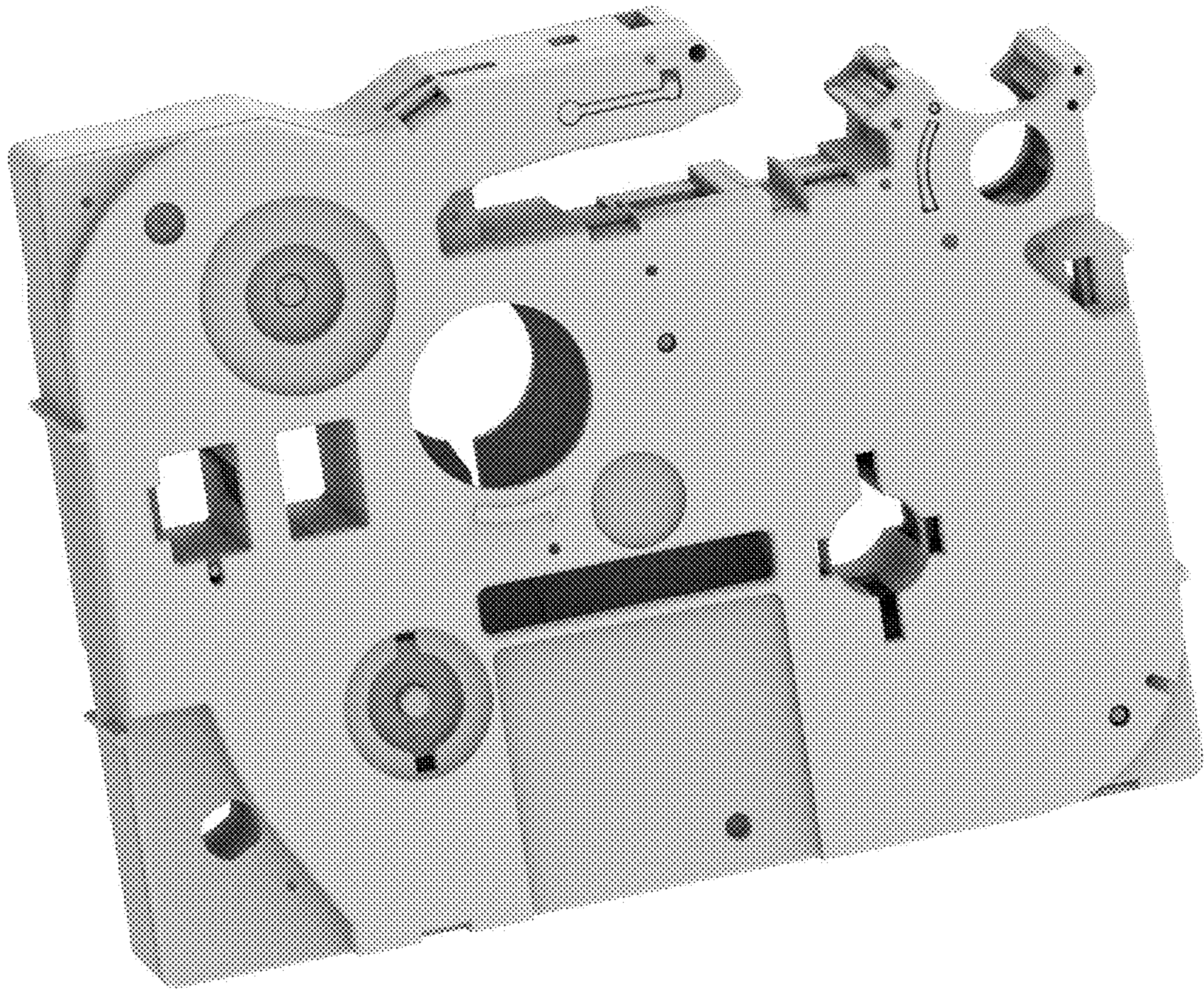


FIG.8

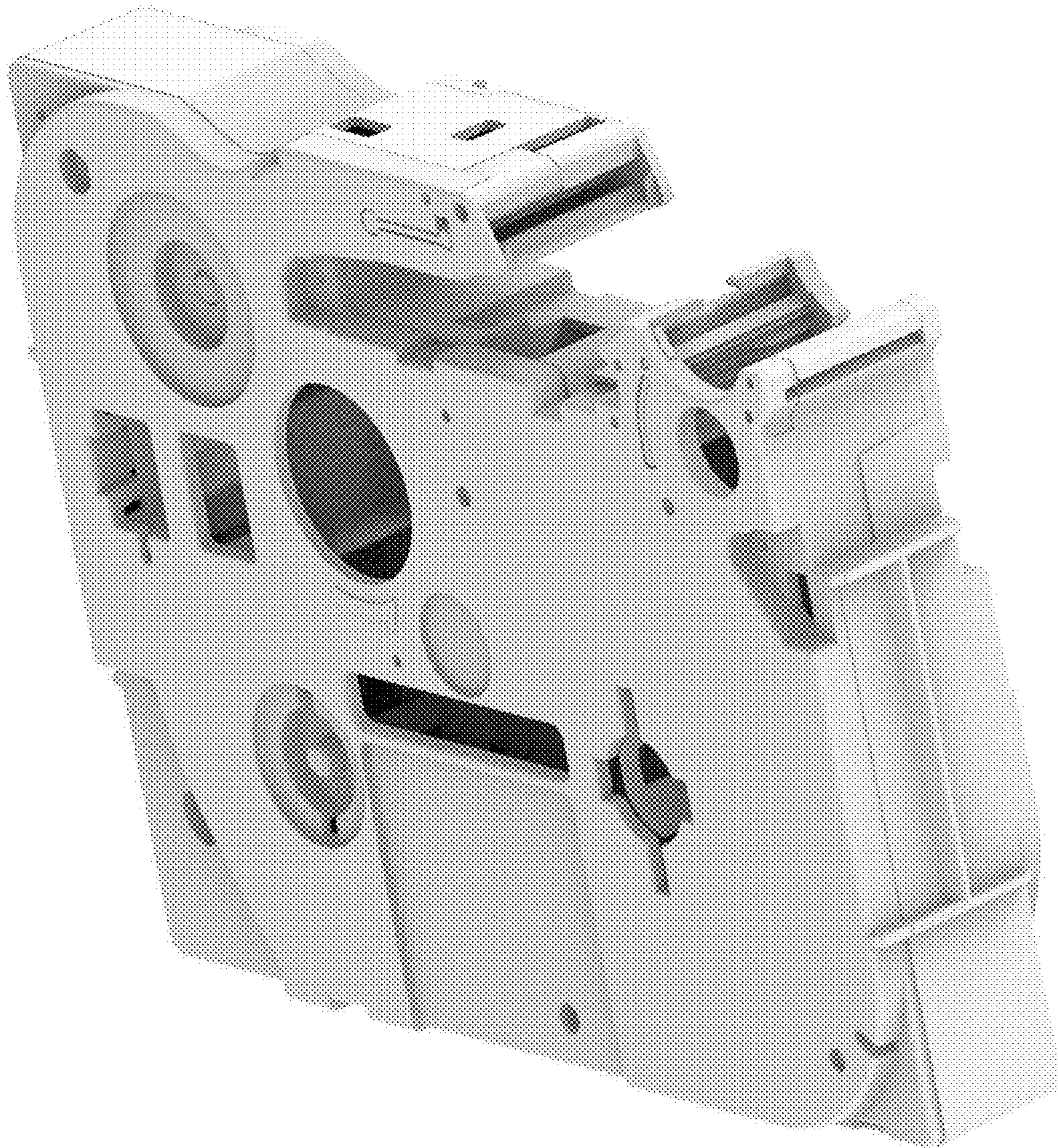


FIG.9

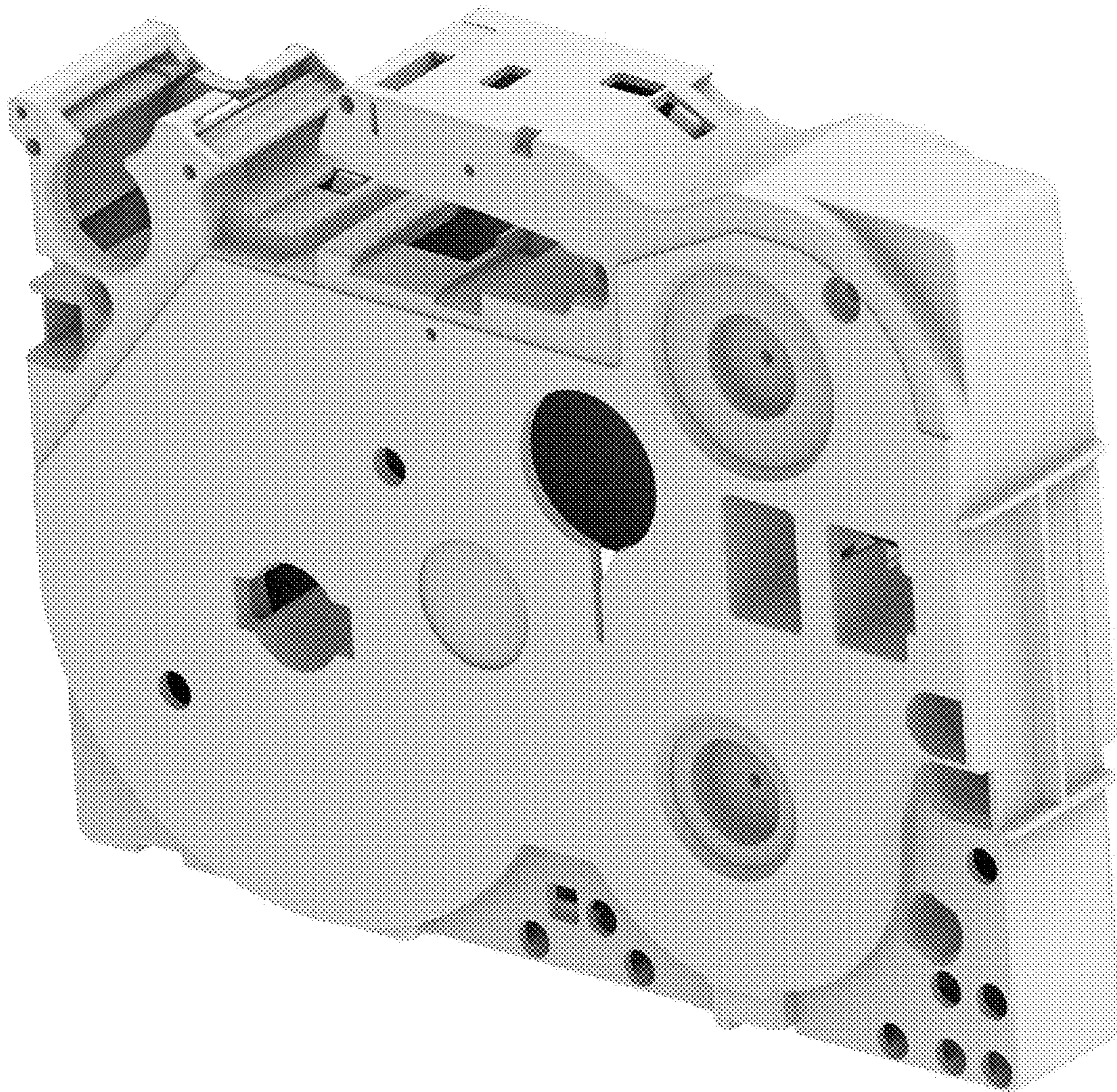


FIG.10

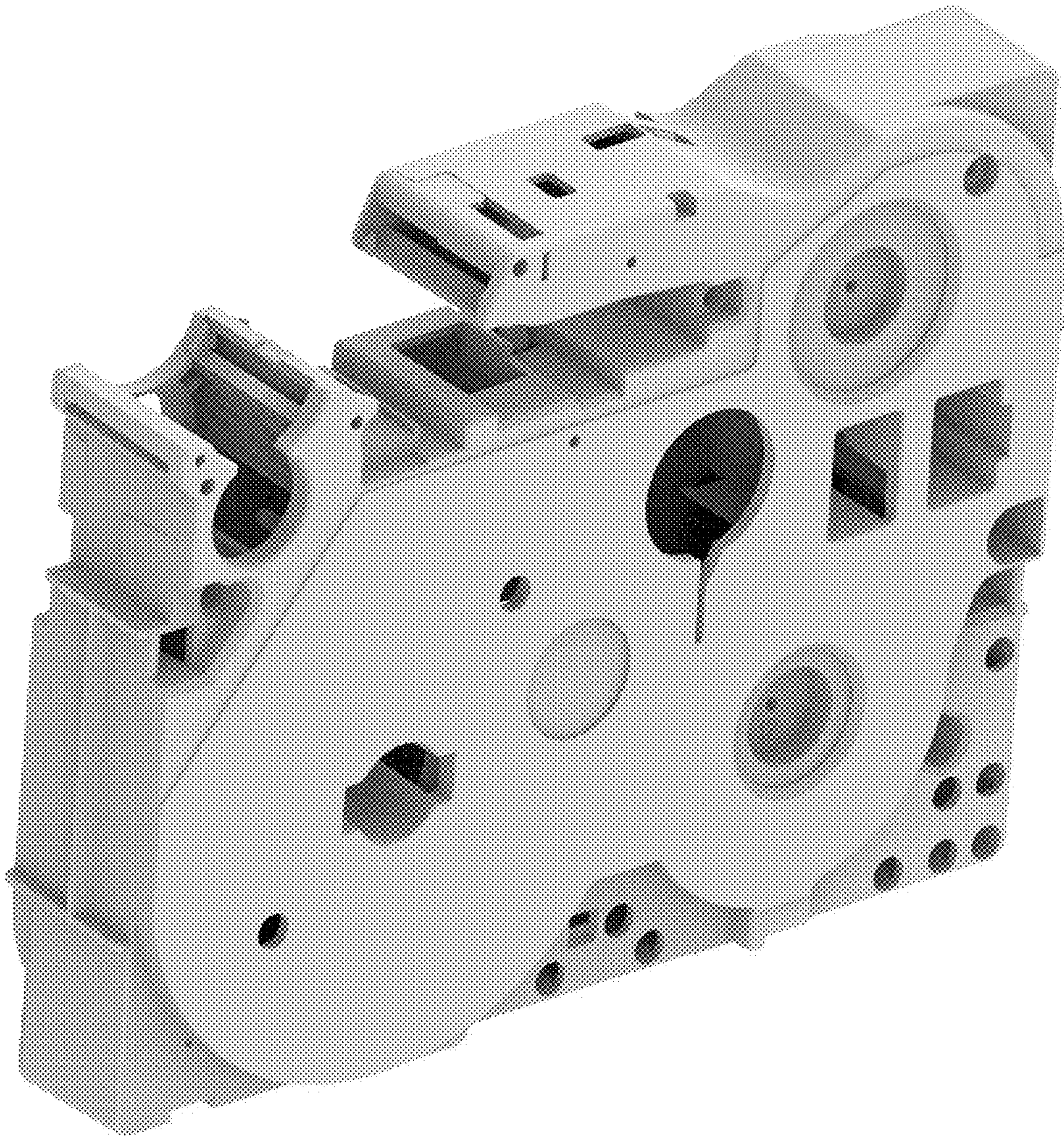


FIG.11

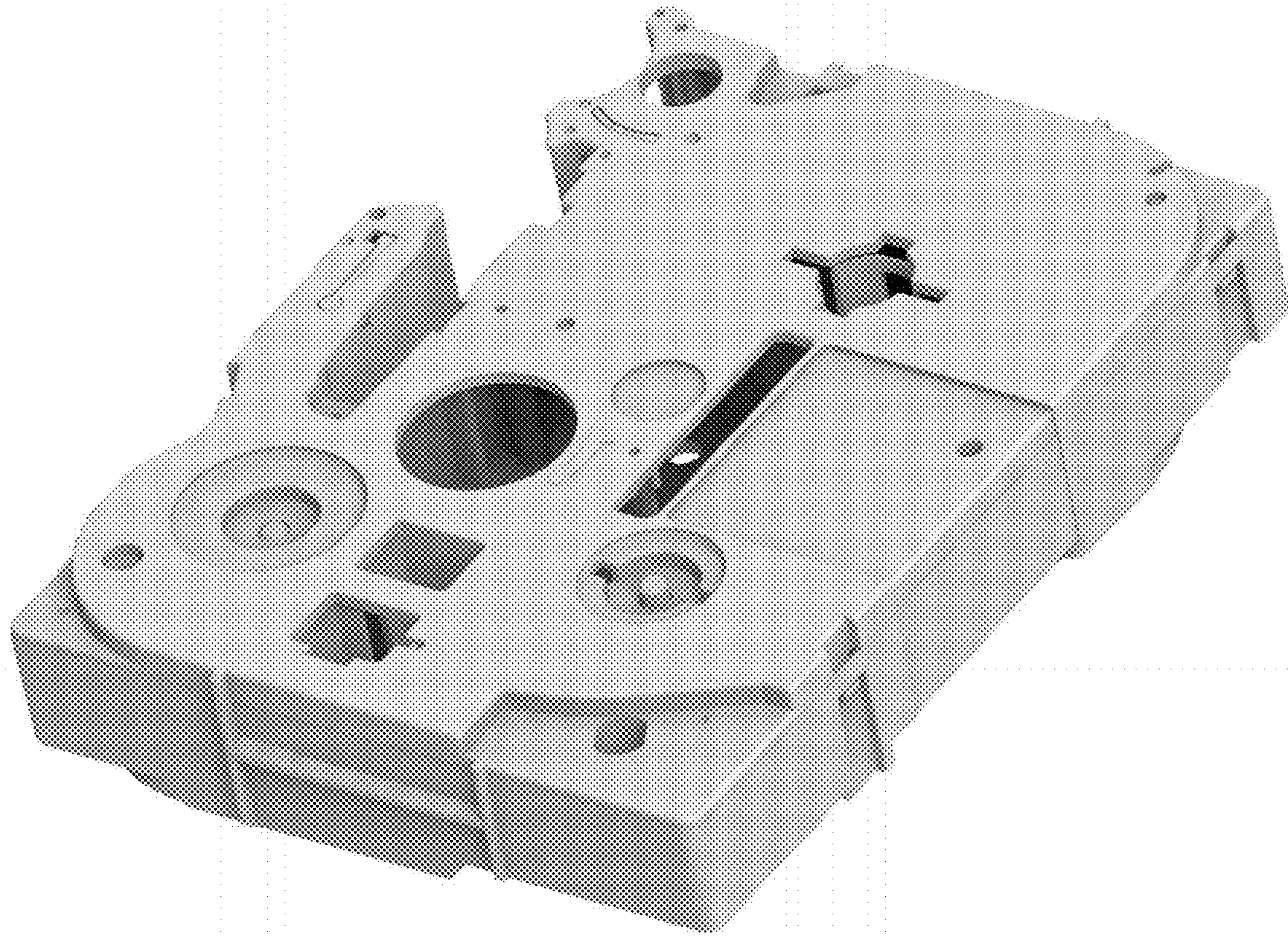


FIG.12