



US00D858627S

(12) **United States Design Patent**
Campanini

(10) **Patent No.:** **US D858,627 S**

(45) **Date of Patent:** **** Sep. 3, 2019**

(54) **PRINTER**

(71) Applicant: **Custom S.p.A.**, Fontevivo (Parma) (IT)

(72) Inventor: **Alberto Campanini**, Fontevivo (IT)

(73) Assignee: **CUSTOM S.P.A.**, Fontevivo (Parma) (IT)

(**) Term: **15 Years**

(21) Appl. No.: **29/612,001**

(22) Filed: **Jul. 27, 2017**

(30) **Foreign Application Priority Data**

May 9, 2017 (EM) 003991777-0002

(51) **LOC (12) Cl.** **14-02**

(52) **U.S. Cl.**
USPC **D18/50**; D18/19

(58) **Field of Classification Search**
USPC D18/50, 19, 14, 36-37; D19/68
CPC . B41J 3/4075; B41J 11/58; B41J 15/00; B41J 15/042; B65C 11/00; B65C 11/04
See application file for complete search history.

(56) **References Cited**

U.S. PATENT DOCUMENTS

- D294,405 S * 2/1988 Man Yau D18/50
- D443,890 S * 6/2001 Sato D18/50
- D449,852 S * 10/2001 Sugimoto D18/14
- D492,352 S * 6/2004 Lammers D19/68
- D492,959 S * 7/2004 Nakanishi D18/50
- D527,043 S * 8/2006 Borne D18/19

- D559,303 S * 1/2008 Hongo D18/19
- D663,767 S * 7/2012 Inada D18/19
- D700,650 S * 3/2014 Chida D18/19
- D701,898 S * 4/2014 Nakata D18/19
- D703,264 S * 4/2014 Shibuya D18/50
- D750,162 S * 2/2016 Ozawa D18/19
- D752,137 S * 3/2016 Mita D18/19
- D758,481 S * 6/2016 Medugorac D18/19
- D800,830 S * 10/2017 Maeda D18/19
- D812,678 S * 3/2018 Ozawa D18/19
- 2016/0214400 A1 * 7/2016 Kawai B41J 3/4075
- 2017/0341431 A1 * 11/2017 Jo B41J 11/0045
- 2018/0086119 A1 * 3/2018 Ikemoto B41J 11/04

* cited by examiner

Primary Examiner — Robin V Webster

Assistant Examiner — J. Thorn, Sr.

(74) *Attorney, Agent, or Firm* — Wenderoth, Lind & Ponack, L.L.P.

(57) **CLAIM**

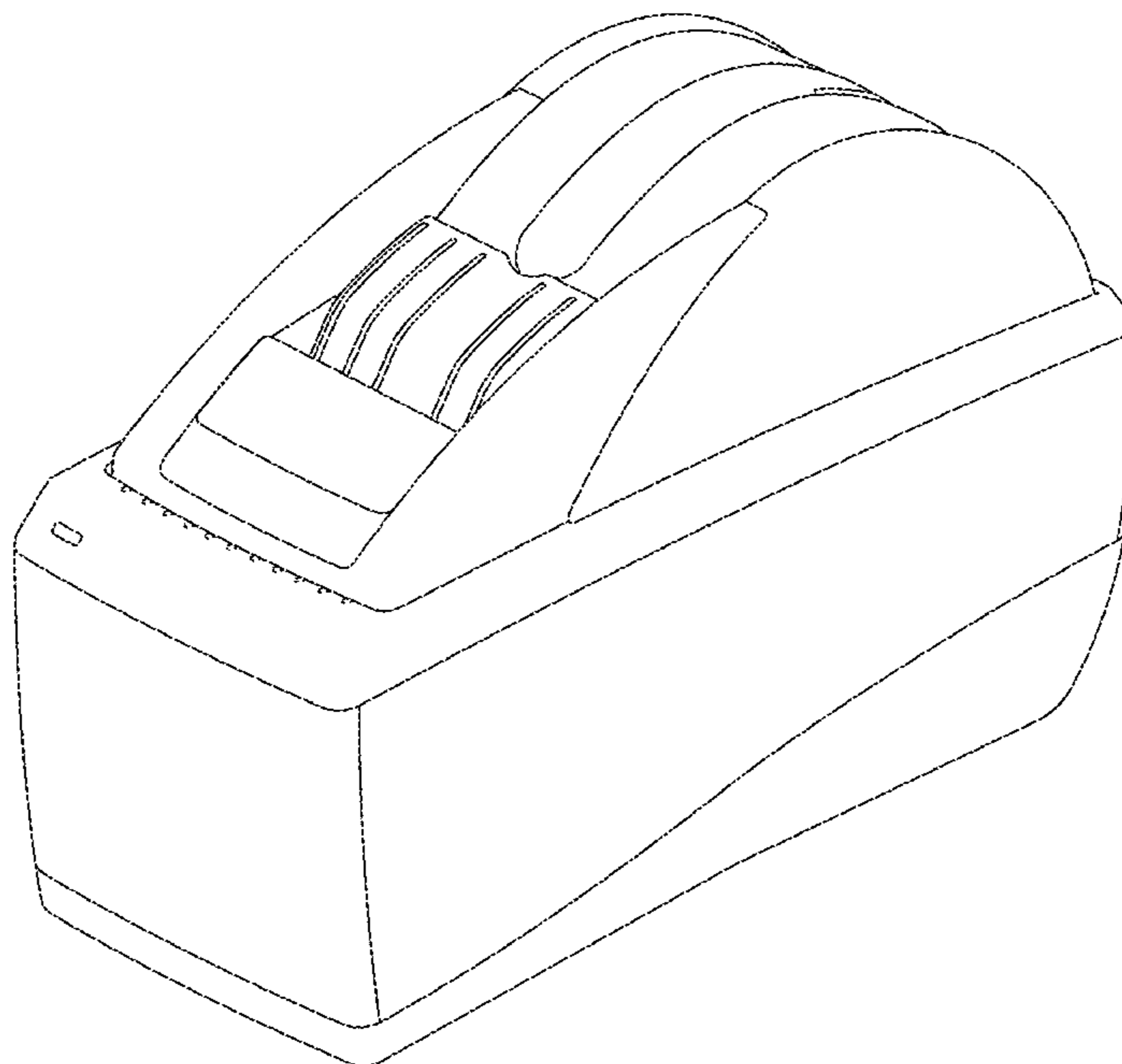
The ornamental design for a printer, as shown and described.

DESCRIPTION

FIG. 1 is a perspective view of a printer;
 FIG. 2 is a front view thereof;
 FIG. 3 is a back view thereof;
 FIG. 4 is a right-hand side view thereof;
 FIG. 5 is a left-hand side view thereof;
 FIG. 6 is a top view thereof; and,
 FIG. 7 is a bottom view thereof.

The broken lines in the drawings are for the purpose of illustrating unclaimed portions and form no part of the claimed design.

1 Claim, 7 Drawing Sheets



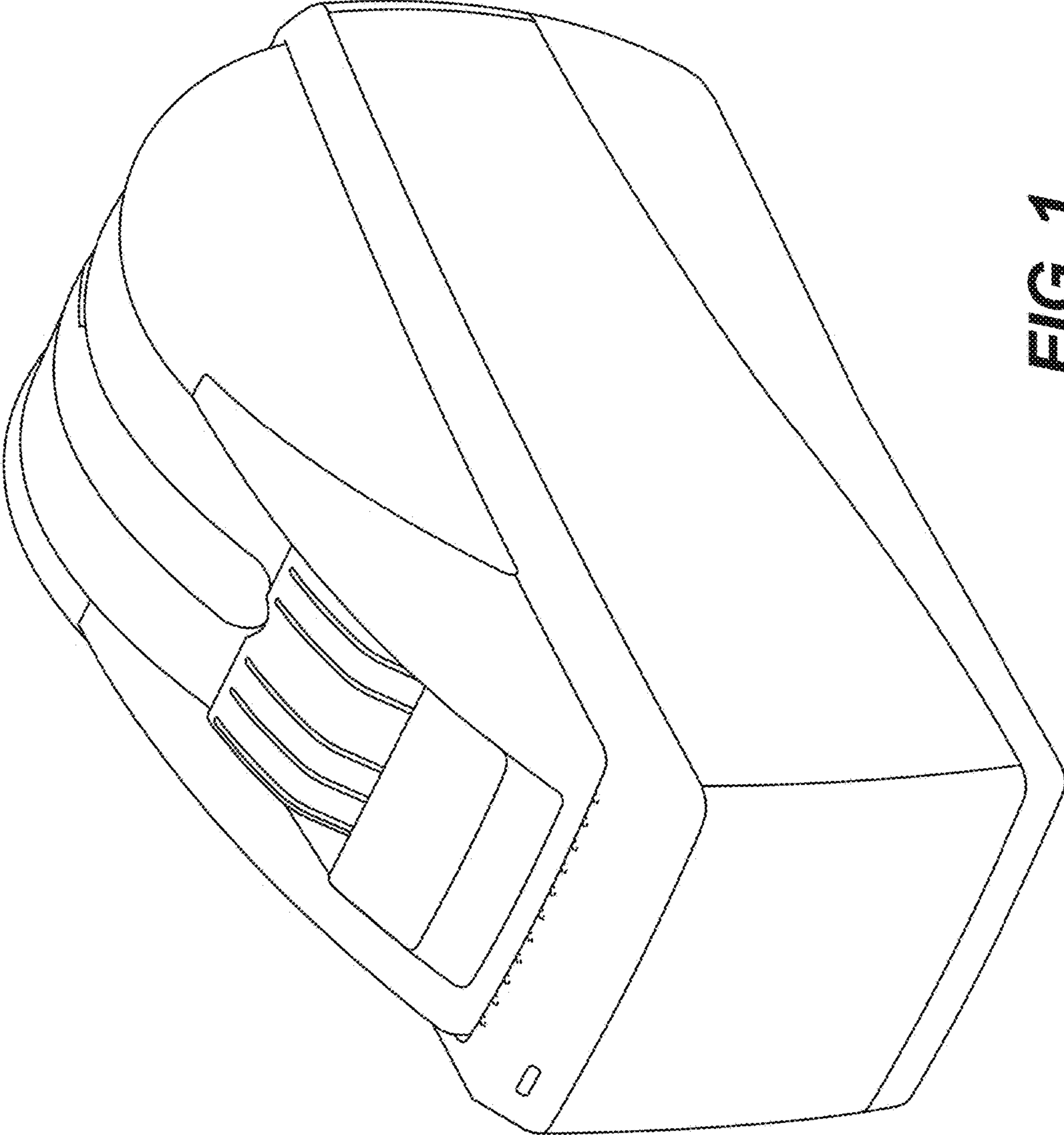


FIG. 1

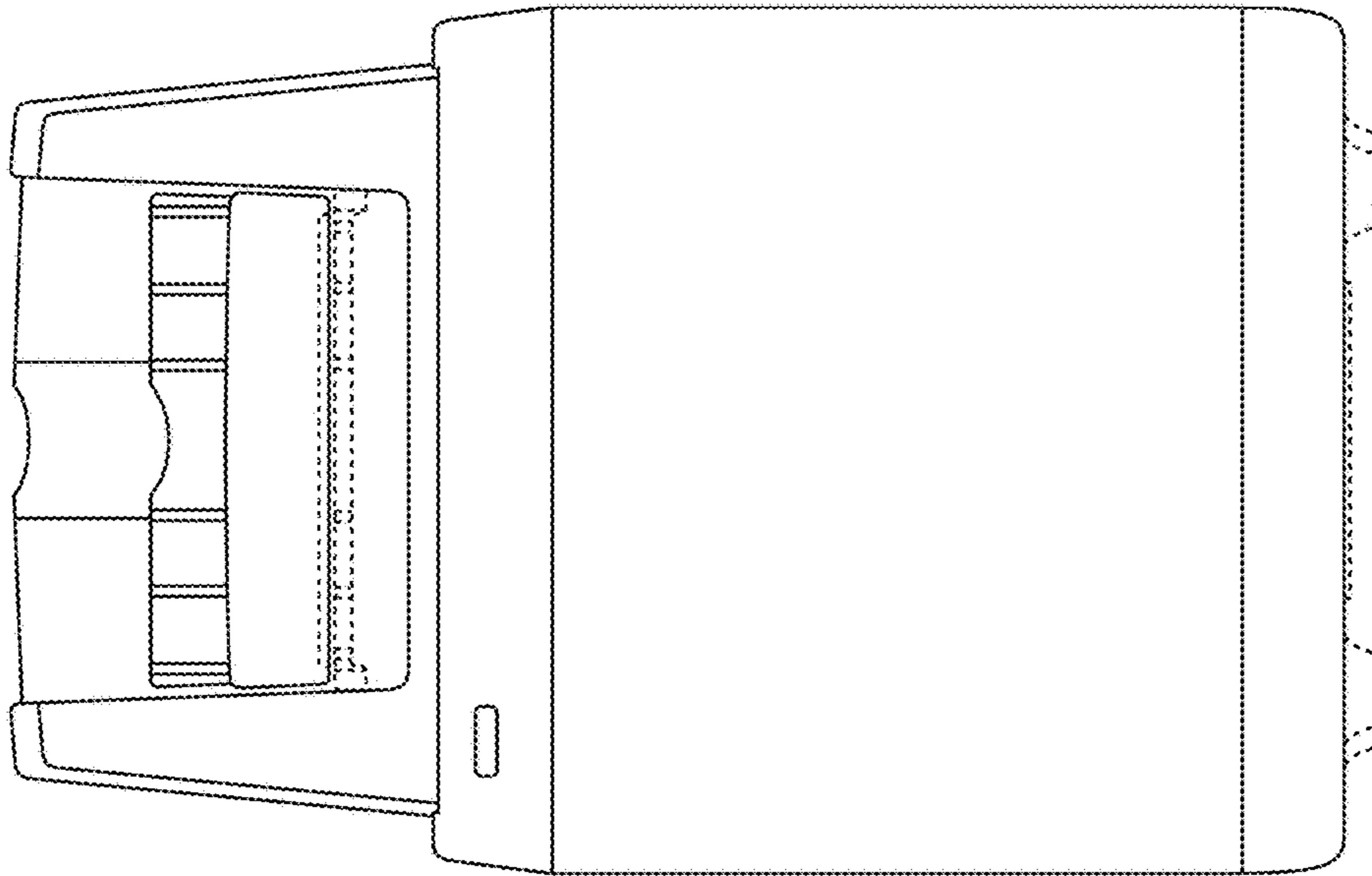


FIG. 2

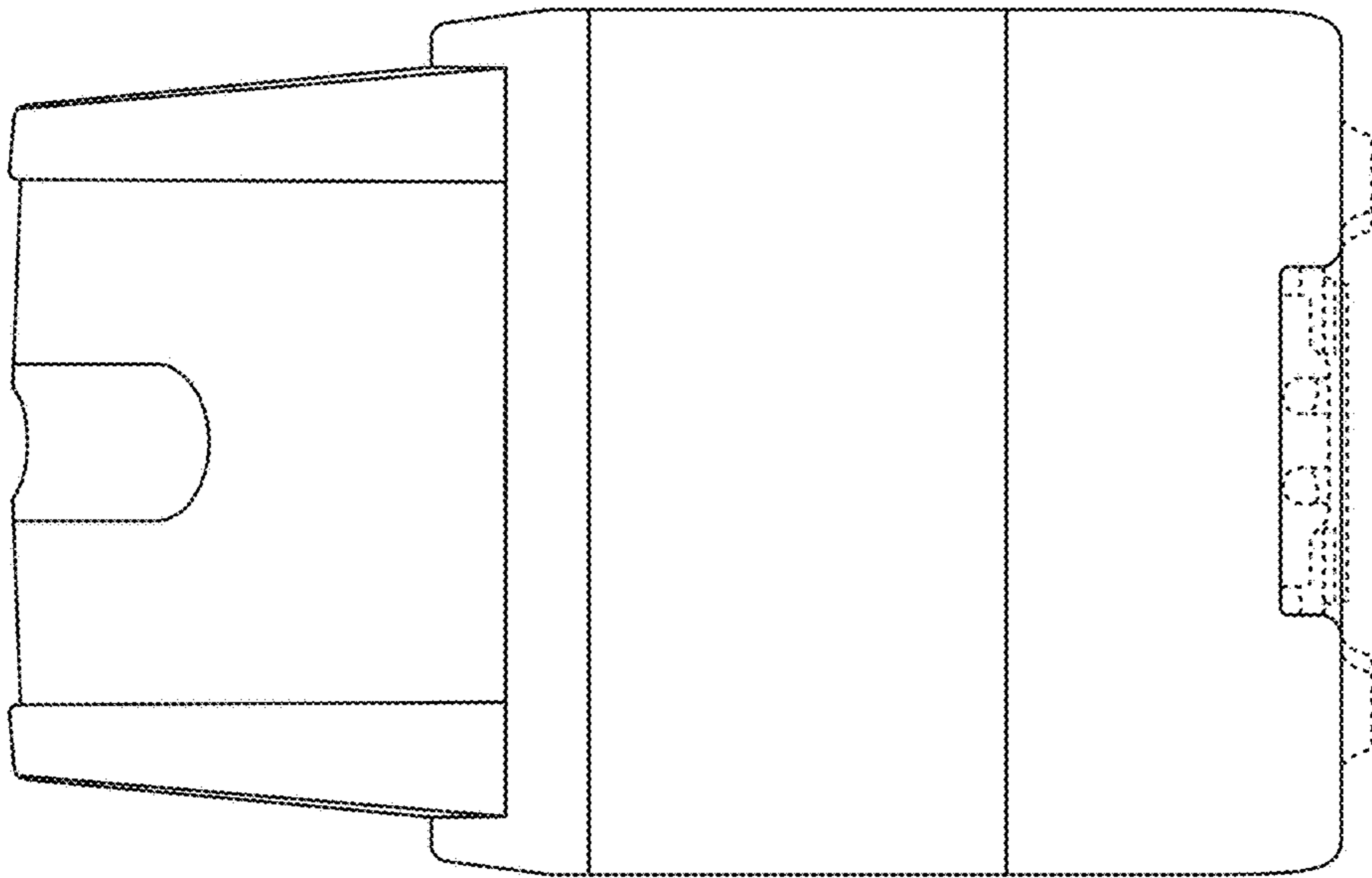


FIG. 3



FIG. 4



FIG. 5

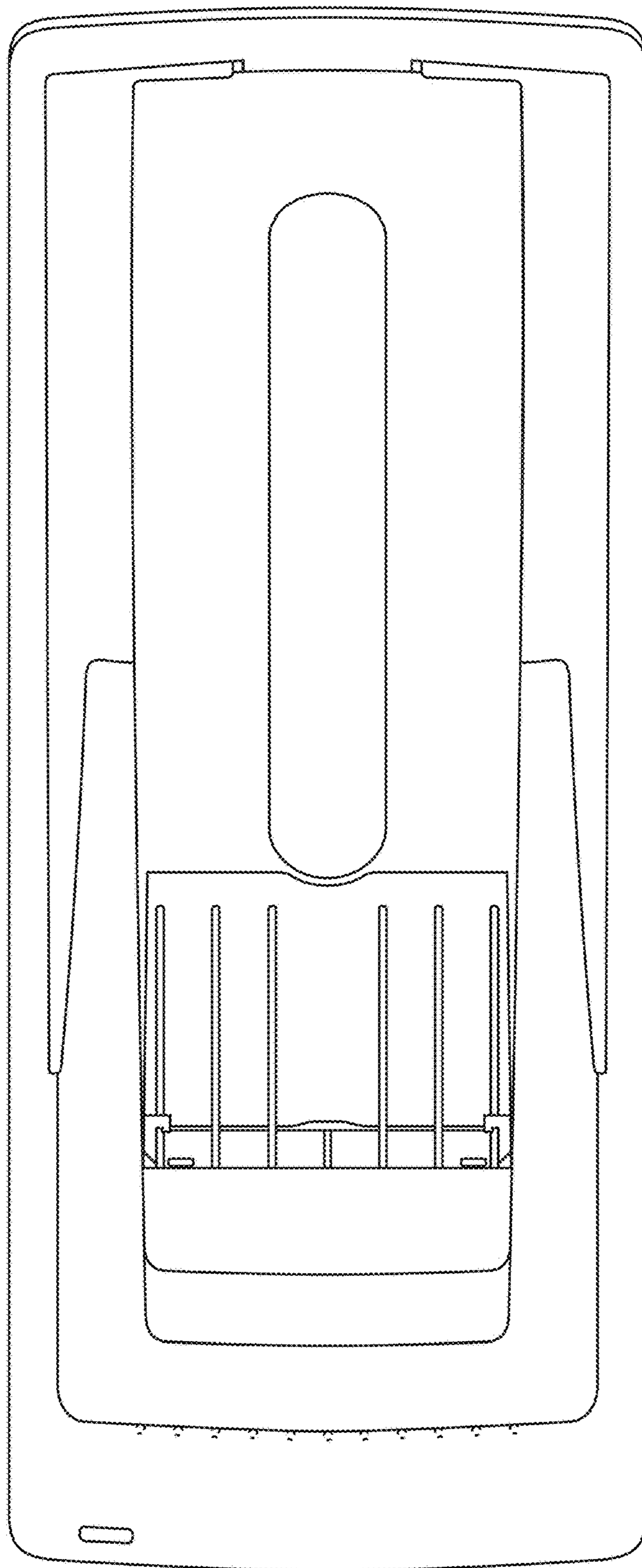


FIG. 6

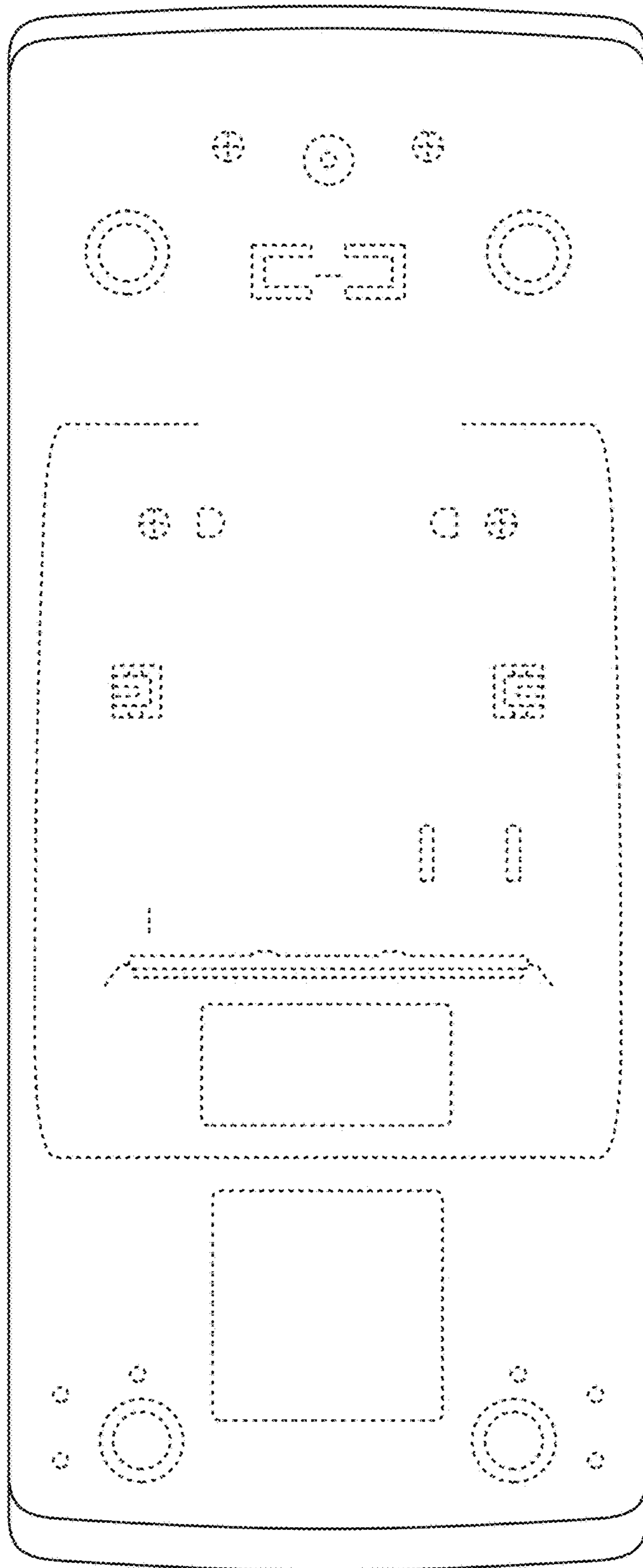


FIG. 7