



US00D858626S

(12) **United States Design Patent**  
**Hubbert**

(10) **Patent No.:** **US D858,626 S**

(45) **Date of Patent:** **\*\* Sep. 3, 2019**

(54) **MUSICAL INSTRUMENT**

(71) Applicant: **Brooks Hubbert**, Pensacola, FL (US)

(72) Inventor: **Brooks Hubbert**, Pensacola, FL (US)

(\*\*) Term: **15 Years**

(21) Appl. No.: **29/635,702**

(22) Filed: **Feb. 1, 2018**

(51) **LOC (12) Cl.** ..... **17-04**

(52) **U.S. Cl.**  
USPC ..... **D17/22**

(58) **Field of Classification Search**

USPC .... D17/22, 23, 99; D21/405, 406, 409, 324,  
D21/325, 470, 468; D26/67, 70, 78;  
D23/261, 260, 259

CPC ..... G10D 13/00; G10D 13/02; G10D 13/024;  
G10D 13/026; G09B 15/02

See application file for complete search history.

(56) **References Cited**

**U.S. PATENT DOCUMENTS**

D107,370 S	*	12/1937	Bly	.....	131/176
D222,813 S	*	1/1972	Wislon	.....	84/408
D449,873 S	*	10/2001	Bronson	.....	D23/261
D616,017 S	*	5/2010	Partridge, Jr.	.....	D17/22
D620,041 S	*	7/2010	Doe	.....	G10D 13/08
				.....	D17/22
D661,784 S	*	6/2012	Joss	.....	D23/260
D754,785 S	*	4/2016	Gibson	.....	D17/22

**OTHER PUBLICATIONS**

Amazon, X8 Drums Tongue Drum, posted Feb. 6, 2014, [online],  
[visited May 1, 2019]. Internet, URL: <https://www.amazon.co.uk/>

X8-Drums-X8-TNG-DRUM-Note-Tongue/dp/B00CXJOZC0/ref= sr\_1\_230?keywords=ELECTRONIC+PERCUSSION+INSTRUMENT &qid=1556738195&s=gateway&sr=8-230 (Year: 2014).\*  
Amazon, Zenko Tongue Drum, posted Jun. 2, 2016, [online], [visited May 1, 2019]. Internet, URL: [https://www.amazon.co.uk/Zenko-ZEN01-Melodic-Percussion-Steel-Tongue/dp/B01828LYGA/ref=olp\\_product\\_details?\\_encoding=UTF8&me=](https://www.amazon.co.uk/Zenko-ZEN01-Melodic-Percussion-Steel-Tongue/dp/B01828LYGA/ref=olp_product_details?_encoding=UTF8&me=) (Year: 2016).\*  
Amazon, Kali Sansula, posted Apr. 29, 2014, [online], [visited May 2, 2019]. Internet, URL: [https://www.amazon.co.uk/Kali-MBA-HOKEMA-Renaissance-Sansula/dp/B0040QKV18/ref=olp\\_product\\_details?\\_encoding=UTF8&me=](https://www.amazon.co.uk/Kali-MBA-HOKEMA-Renaissance-Sansula/dp/B0040QKV18/ref=olp_product_details?_encoding=UTF8&me=) (Year: 2014).\*

\* cited by examiner

*Primary Examiner* — Sheryl Lane

*Assistant Examiner* — Samantha N Wood

(74) *Attorney, Agent, or Firm* — AdamsIP, LLC; Gary N. Stewart; J. Hunter Adams

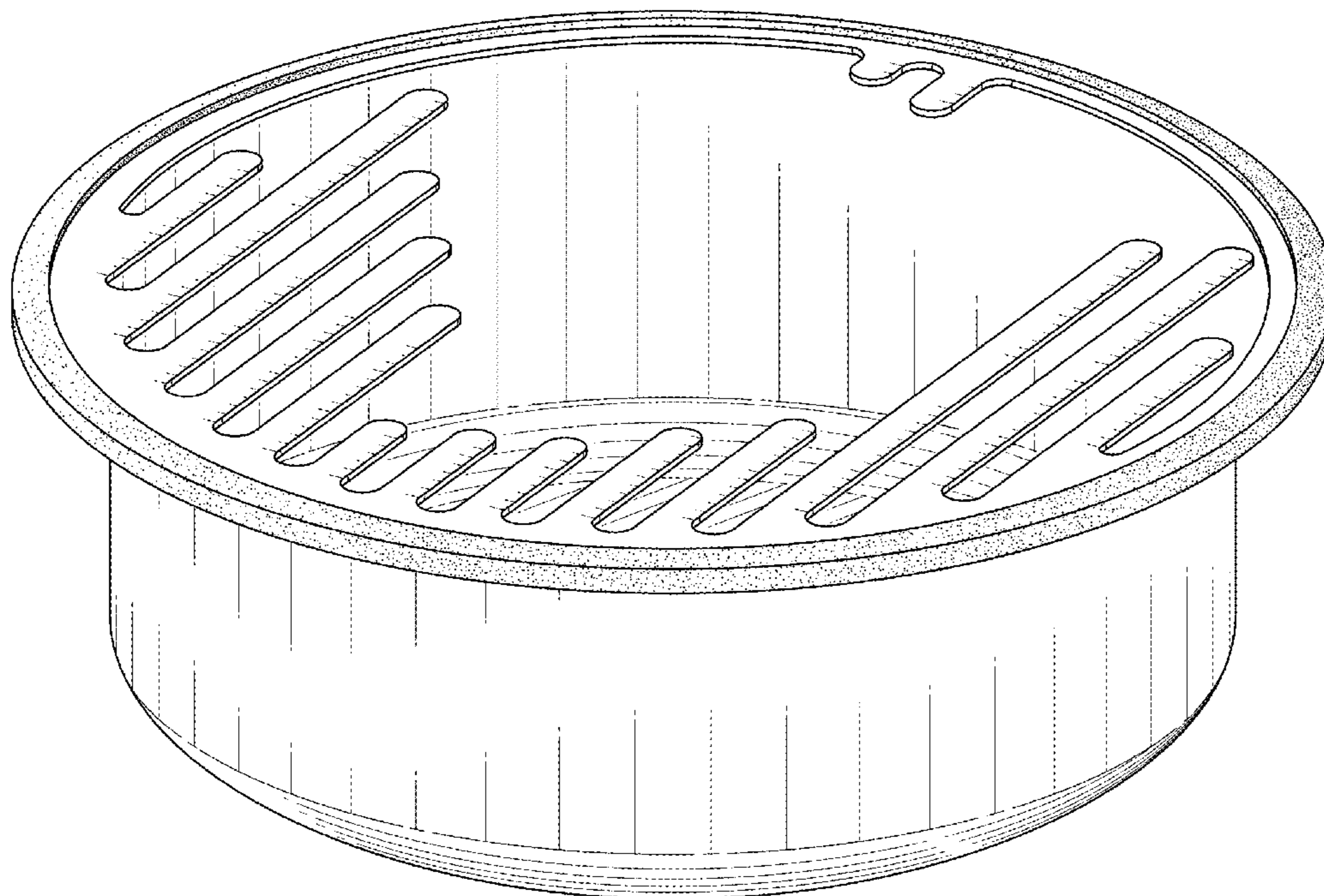
(57) **CLAIM**

The ornamental design for a musical instrument, as shown and described.

**DESCRIPTION**

FIG. 1 is a front, side, and top perspective view of a musical instrument incorporating my new design;  
FIG. 2 is a rear, side, and bottom perspective view thereof;  
FIG. 3 is a top view thereof;  
FIG. 4 is a bottom view thereof; and,  
FIG. 5 is a front elevational view thereof; the rear, left side, and right side elevational views being identical to the front elevational view.

**1 Claim, 4 Drawing Sheets**



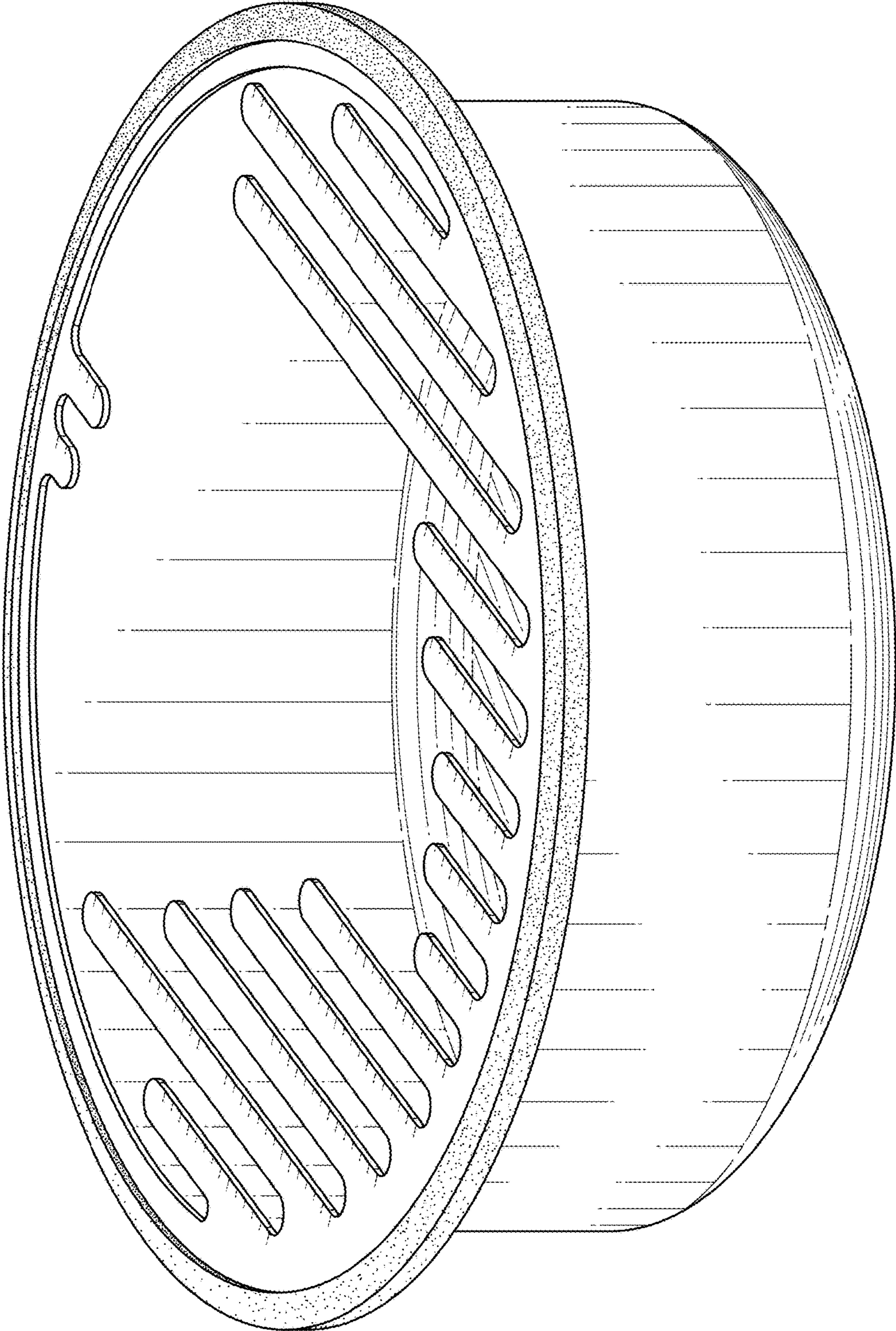


FIG. 1

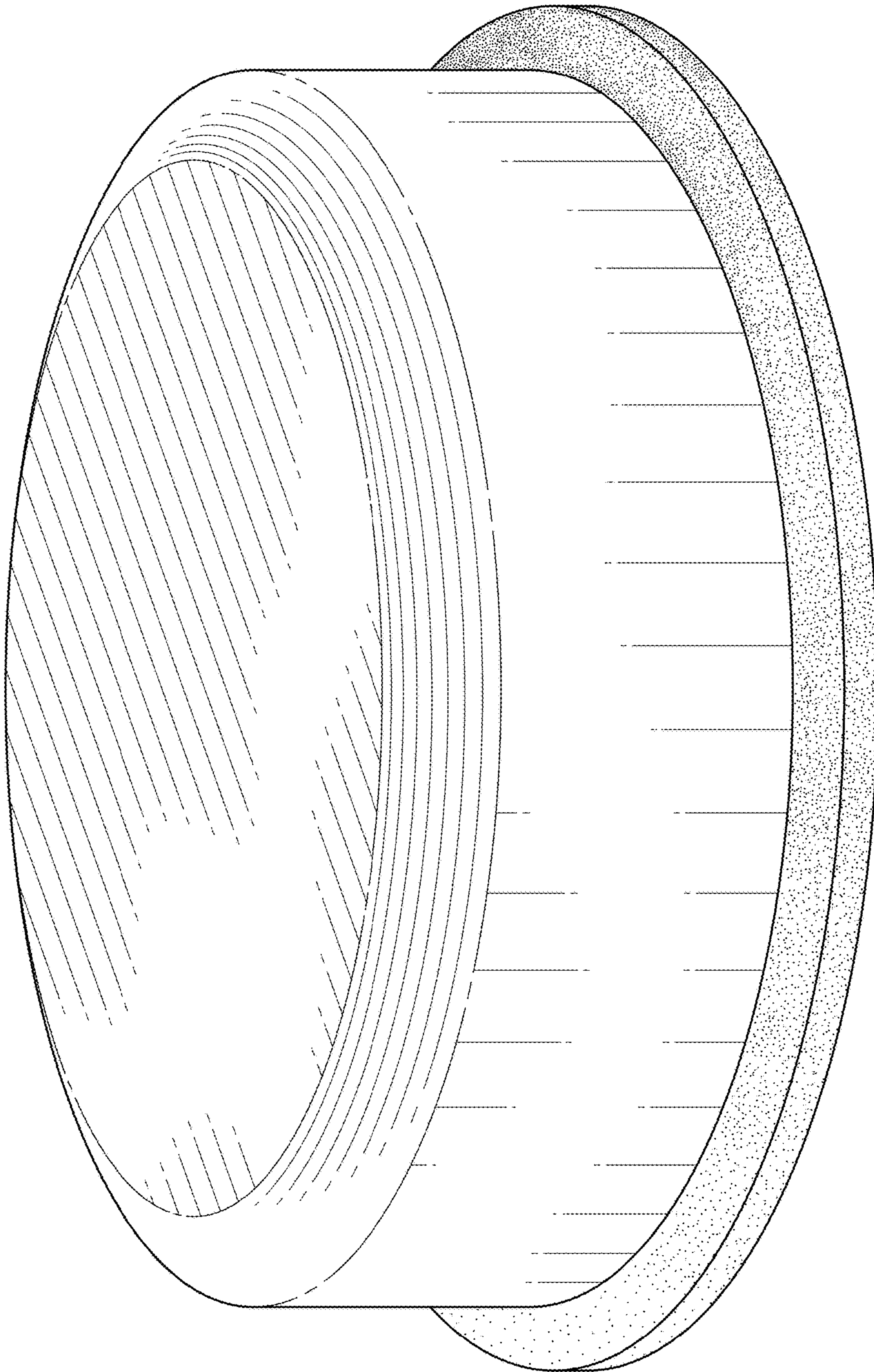


FIG. 2

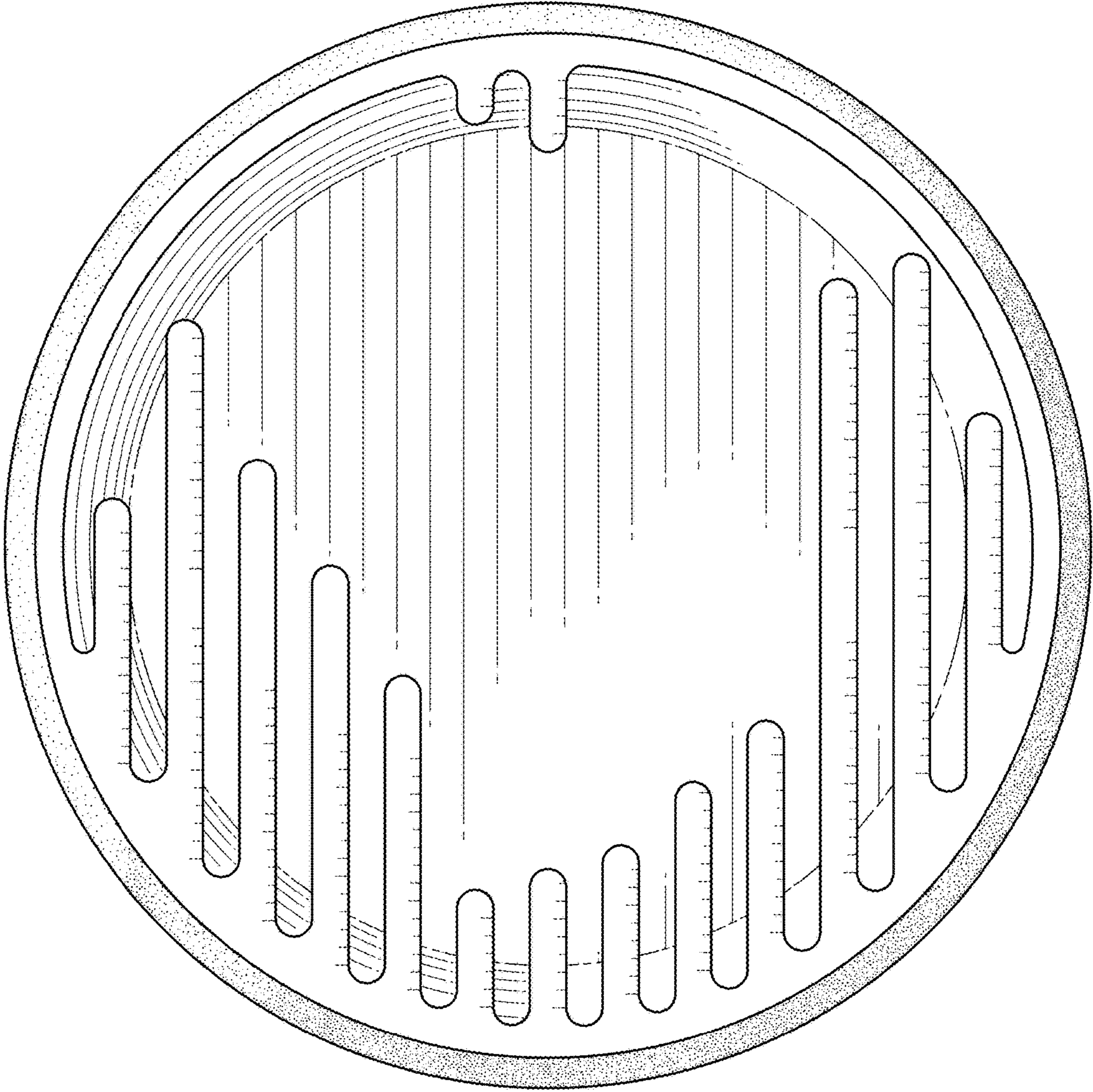


FIG. 3

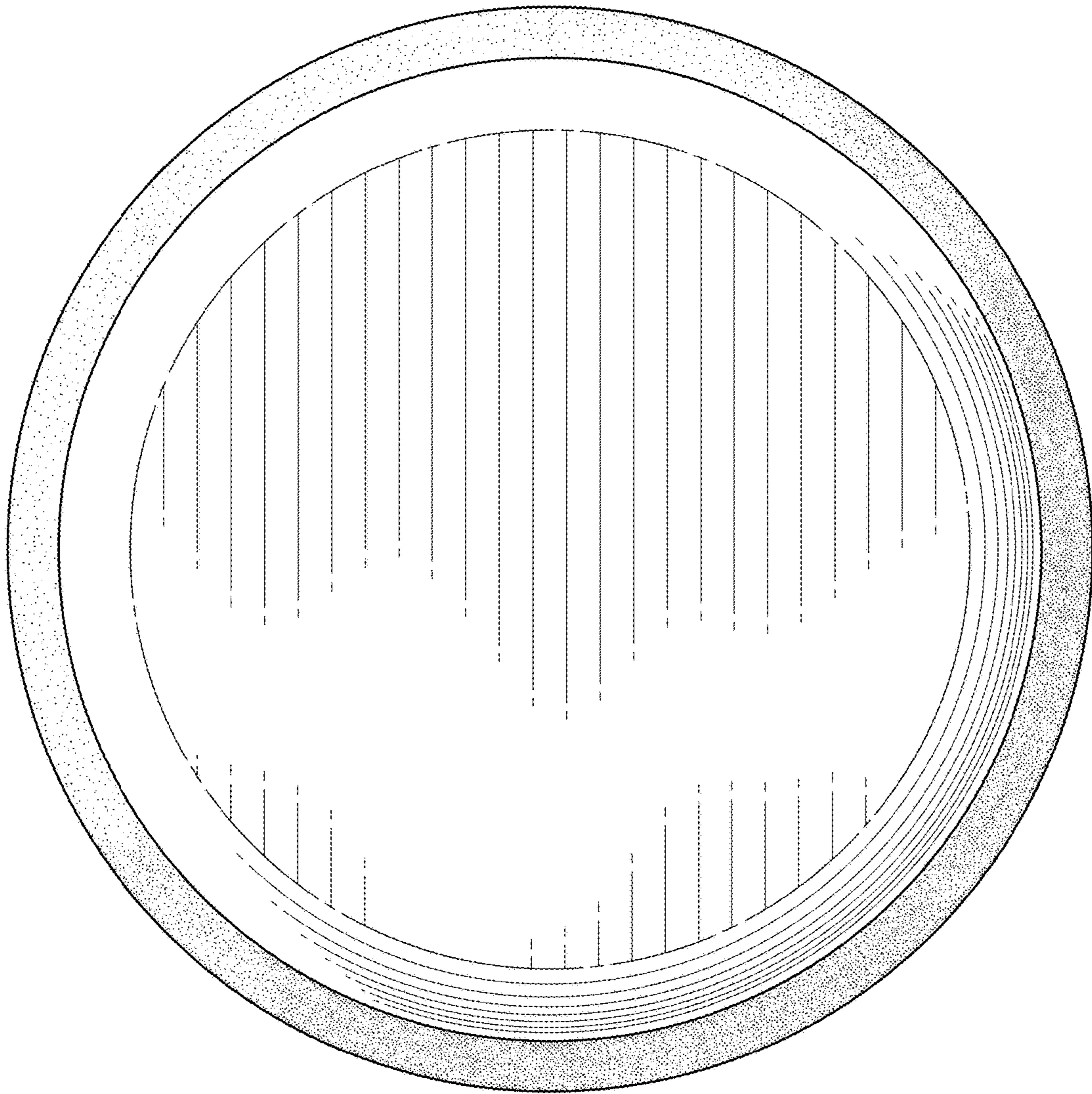


FIG. 4

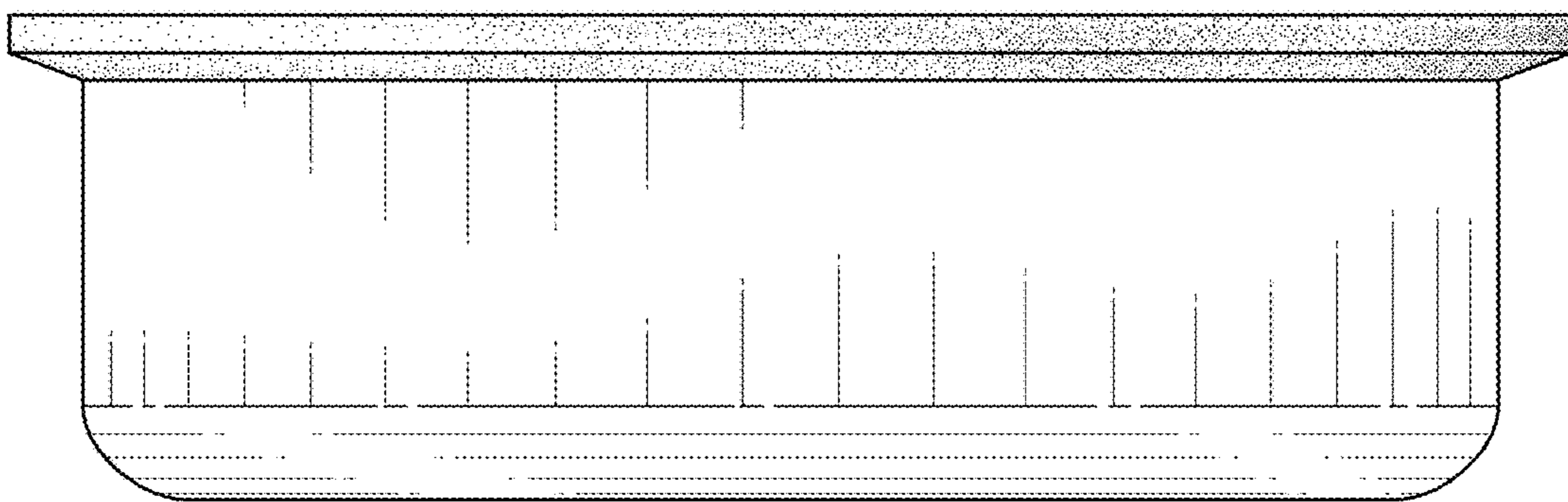


FIG. 5