



US00D858622S

(12) **United States Design Patent** (10) **Patent No.:** **US D858,622 S**
Xin (45) **Date of Patent:** **** Sep. 3, 2019**

(54) **SKI GLASSES**
(71) Applicant: **Yi Xin**, Hunan (CN)
(72) Inventor: **Yi Xin**, Hunan (CN)
(**) Term: **15 Years**
(21) Appl. No.: **29/616,878**
(22) Filed: **Sep. 9, 2017**
(51) **LOC (12) Cl.** **16-06**
(52) **U.S. Cl.**
USPC **D16/312**
(58) **Field of Classification Search**
USPC D16/101, 300-342; D14/372;
D29/109-110; 351/41, 42, 44, 45-46,
351/48-49, 59, 61, 63, 66, 67, 69, 71, 72,
351/76, 77, 78, 83, 87, 88, 93, 94,
351/99-104, 110-113, 124-126, 130-132,
351/136-137, 140-153; 2/13, 15,
2/426-432, 447-449, 441, 434-437
CPC . G02C 5/16; G02C 5/14; G02C 5/146; G02C
5/2254; G02C 5/008; G02C 2200/08;
G02C 1/06; G02C 11/02; G02C 11/04;
G02C 2200/22; G02C 7/02; G02C 5/143;
G02C 5/2272; G02C 5/12; G02C 5/02;
G02C 1/02; G02C 5/22; G02C 5/2209;
G02C 9/00; A61M 2021/0044; A63B
33/002; A42B 1/247; A42B 1/248
See application file for complete search history.

(56) **References Cited**
U.S. PATENT DOCUMENTS
D488,182 S * 4/2004 Sheldon D16/312
D515,615 S * 2/2006 Fecteau D16/312
D616,914 S * 6/2010 Moritz D16/312
D629,034 S * 12/2010 McNeal A61F 9/025
D16/312
D629,442 S * 12/2010 Tominaga D16/312
D640,724 S * 6/2011 Goodman D16/312

D645,211 S * 9/2011 Hill D29/110
D649,577 S * 11/2011 Goodman D16/312
D653,686 S * 2/2012 Tobia D16/101
D657,812 S * 4/2012 Li D16/312
D670,753 S * 11/2012 Chen D16/312
D695,818 S * 12/2013 Laperriere D16/312
D698,854 S * 2/2014 McNeal D16/312
D711,961 S * 8/2014 Arnette D16/312
D714,378 S * 9/2014 Sandor D16/313
D715,350 S * 10/2014 Moritz D16/312
D718,369 S * 11/2014 Janavicius D16/312
D723,094 S * 2/2015 Chen D16/312
D729,303 S * 5/2015 Laperriere D16/326
D729,307 S * 5/2015 Noordzij D16/340
D730,430 S * 5/2015 Tanguy D16/312
D747,758 S * 1/2016 Lee D16/312

(Continued)

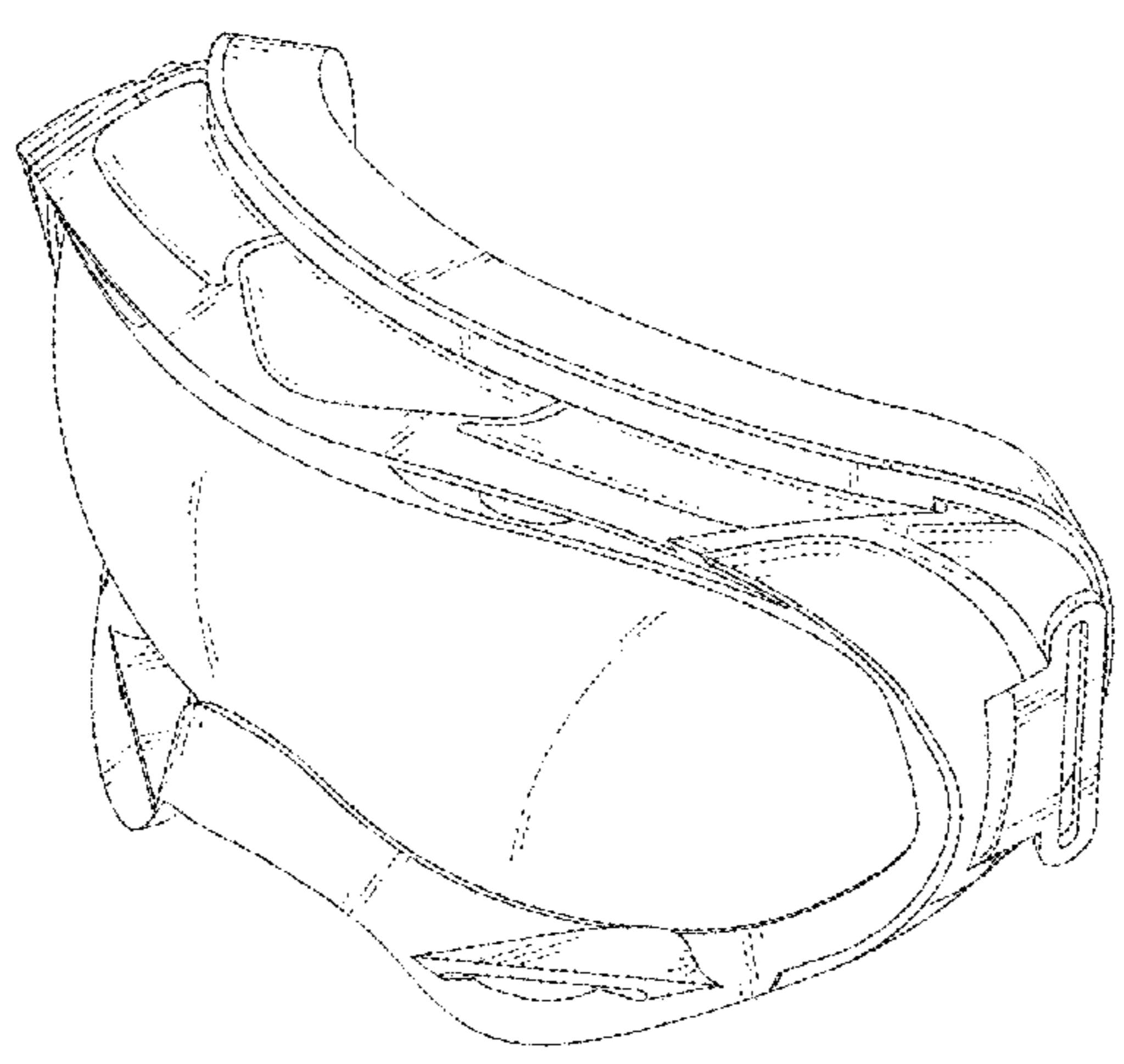
Primary Examiner — Michelle E. Wilson
Assistant Examiner — Sanjeev Paul
(74) *Attorney, Agent, or Firm* — Law Offices of Steven
W. Weinrieb

(57) **CLAIM**
A new, original, ornamental design for a ski glasses, as
shown and described.

DESCRIPTION

FIG. 1 is a first perspective view of a ski glasses showing my
new design;
FIG. 2 is a second perspective view thereof;
FIG. 3 is a front elevational view thereof;
FIG. 4 is a rear elevational view thereof;
FIG. 5 is a left elevational view thereof;
FIG. 6 is a right elevational view thereof;
FIG. 7 is a top plan view thereof;
FIG. 8 is a bottom plan view thereof; and,
FIG. 9 is a perspective view showing the ski glasses in a
state of use.
The broken lines in FIG. 9 illustrate a head of a user and a
belt which form no part of the claimed design.

1 Claim, 9 Drawing Sheets



(56)

References Cited

U.S. PATENT DOCUMENTS

D748,717	S	*	2/2016	Yang	D16/312
D756,445	S	*	5/2016	Blanchard	D16/312
D760,831	S	*	7/2016	Emilo	D16/312
D761,344	S	*	7/2016	Chen	D16/312
D765,759	S	*	9/2016	Li	D16/312
D769,350	S	*	10/2016	Orzeck	D16/312
D776,187	S	*	1/2017	Tappeiner	D16/312
D777,826	S	*	1/2017	Shin	D16/312
D785,699	S	*	5/2017	Chen	D16/312
D805,576	S	*	12/2017	Garfias	D16/312
D811,664	S	*	2/2018	Knauer	D29/109
D818,031	S	*	5/2018	Garfias	D16/314
D821,037	S	*	6/2018	Wallis	D29/110
D827,007	S	*	8/2018	Garfias	D16/101
D827,208	S	*	8/2018	Baudet	D29/110
D828,866	S	*	9/2018	Yoo	D16/313
D834,087	S	*	11/2018	Yoo	D16/313

* cited by examiner

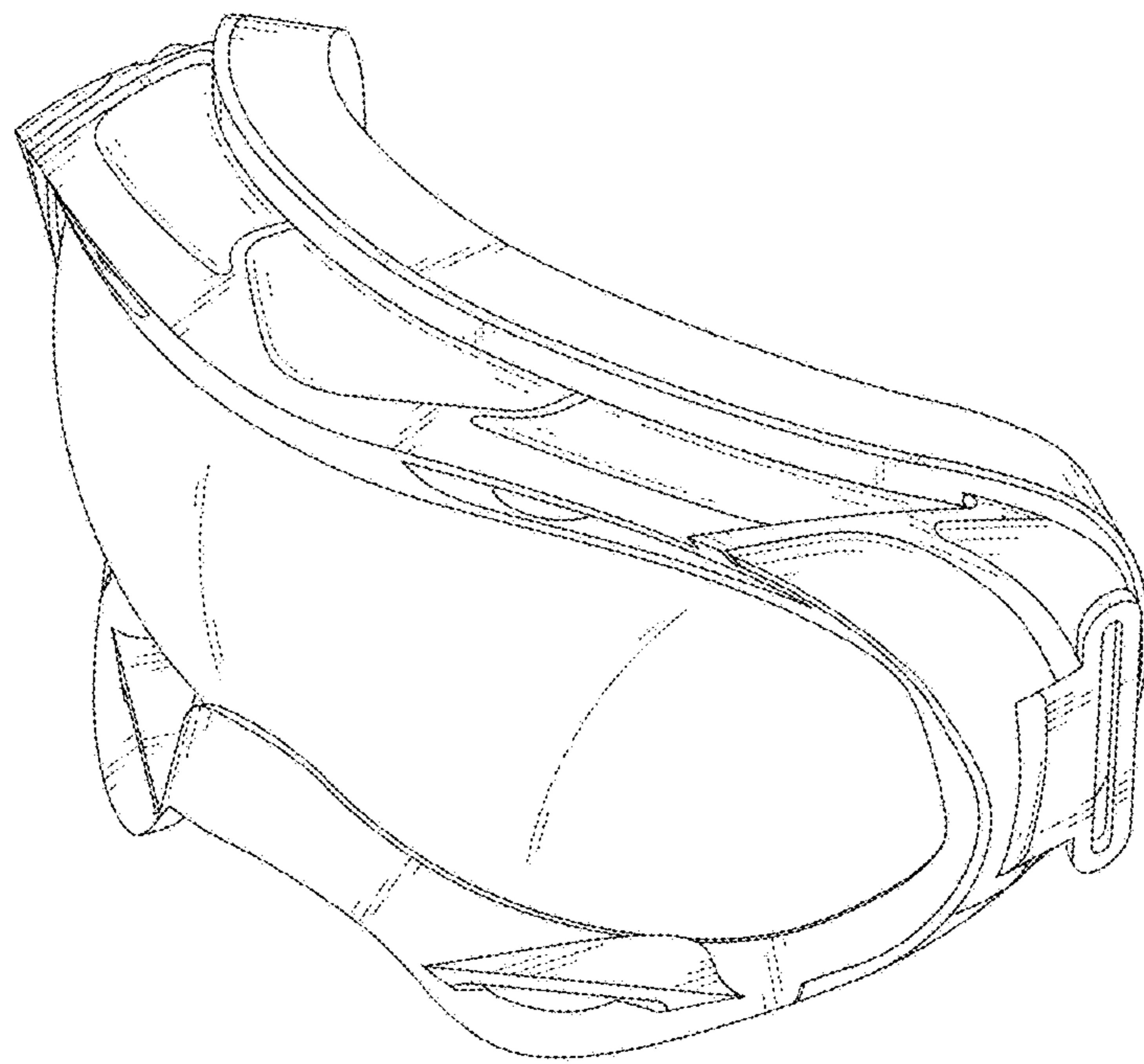


FIG. 1

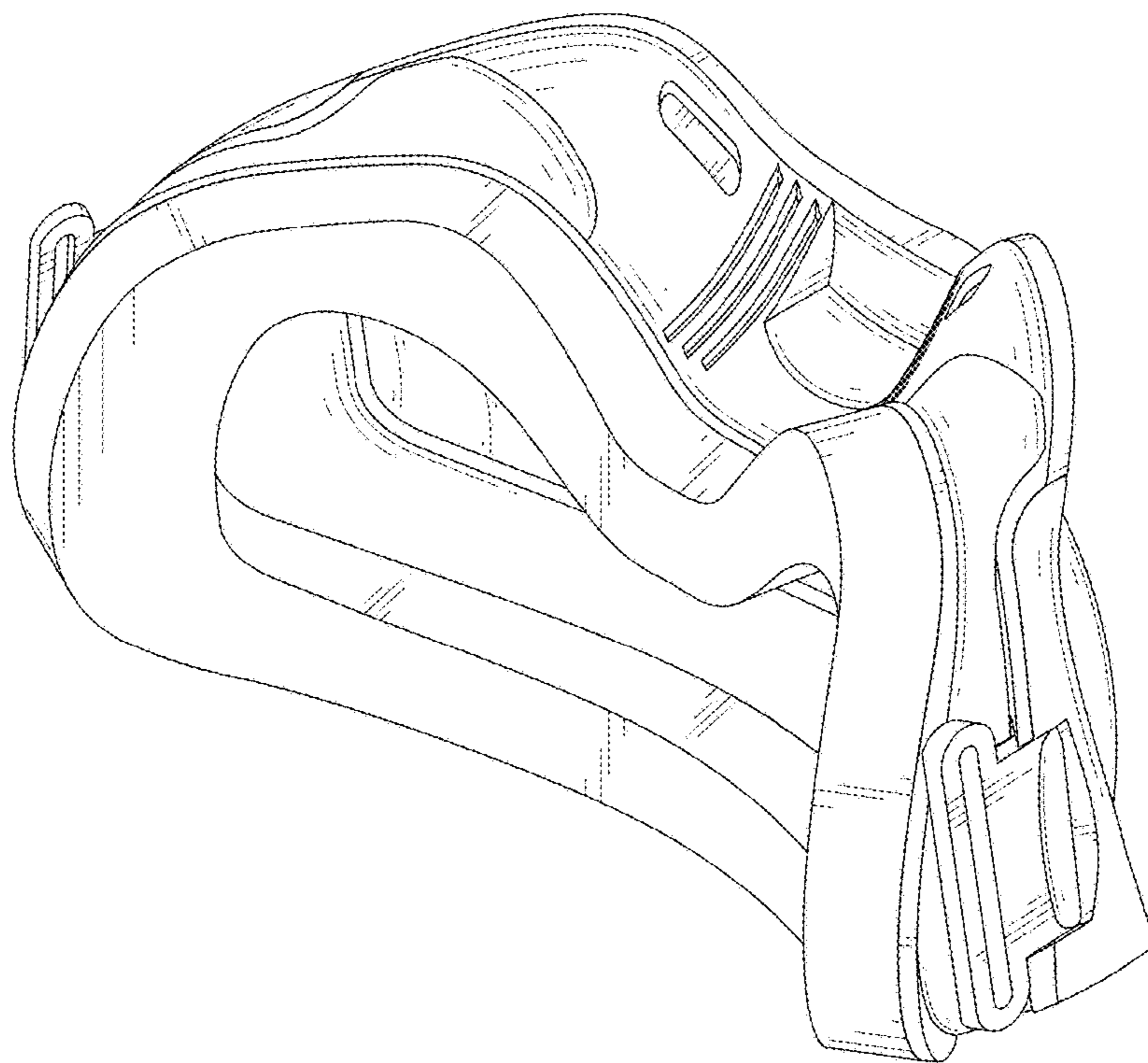


FIG. 2

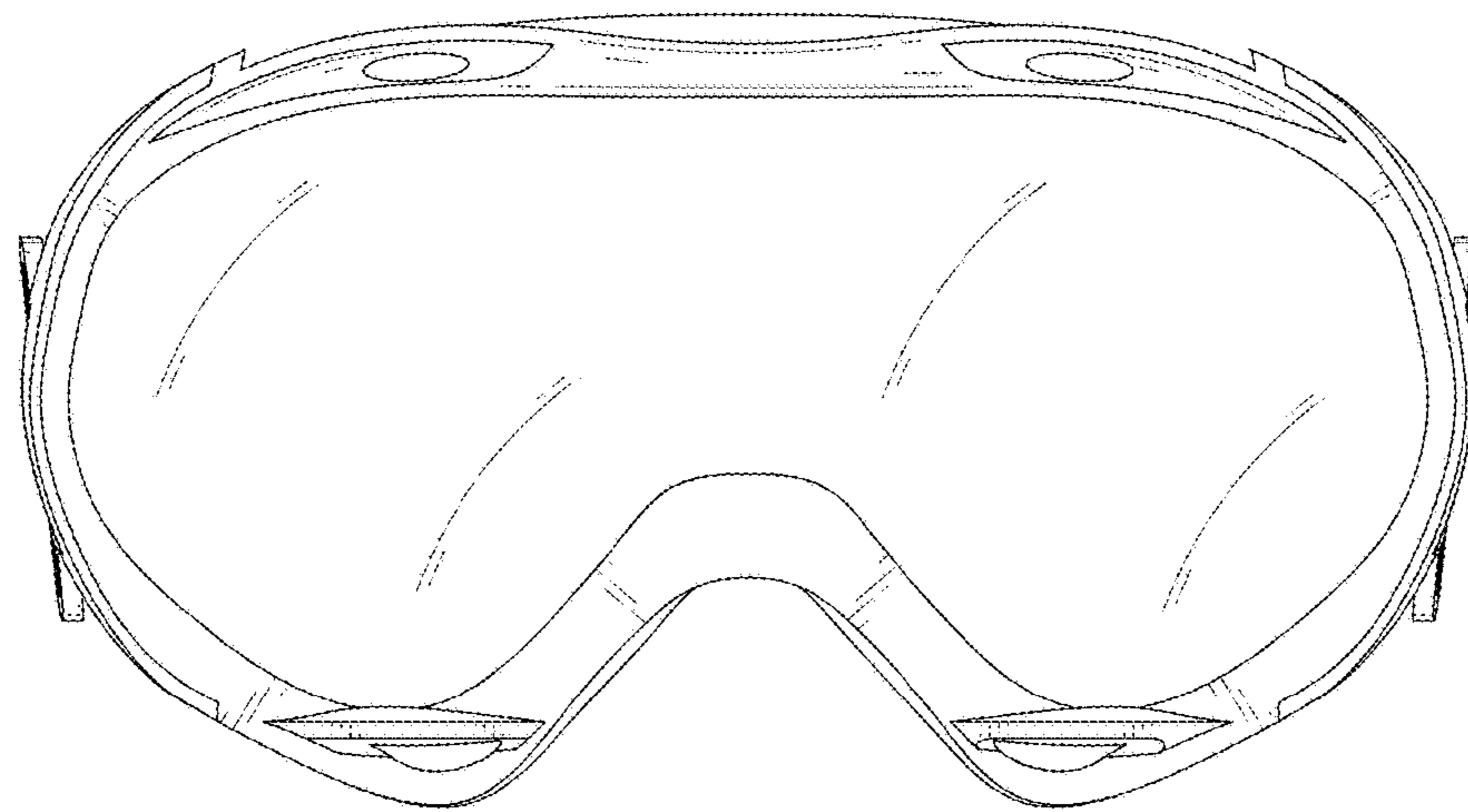


FIG. 3

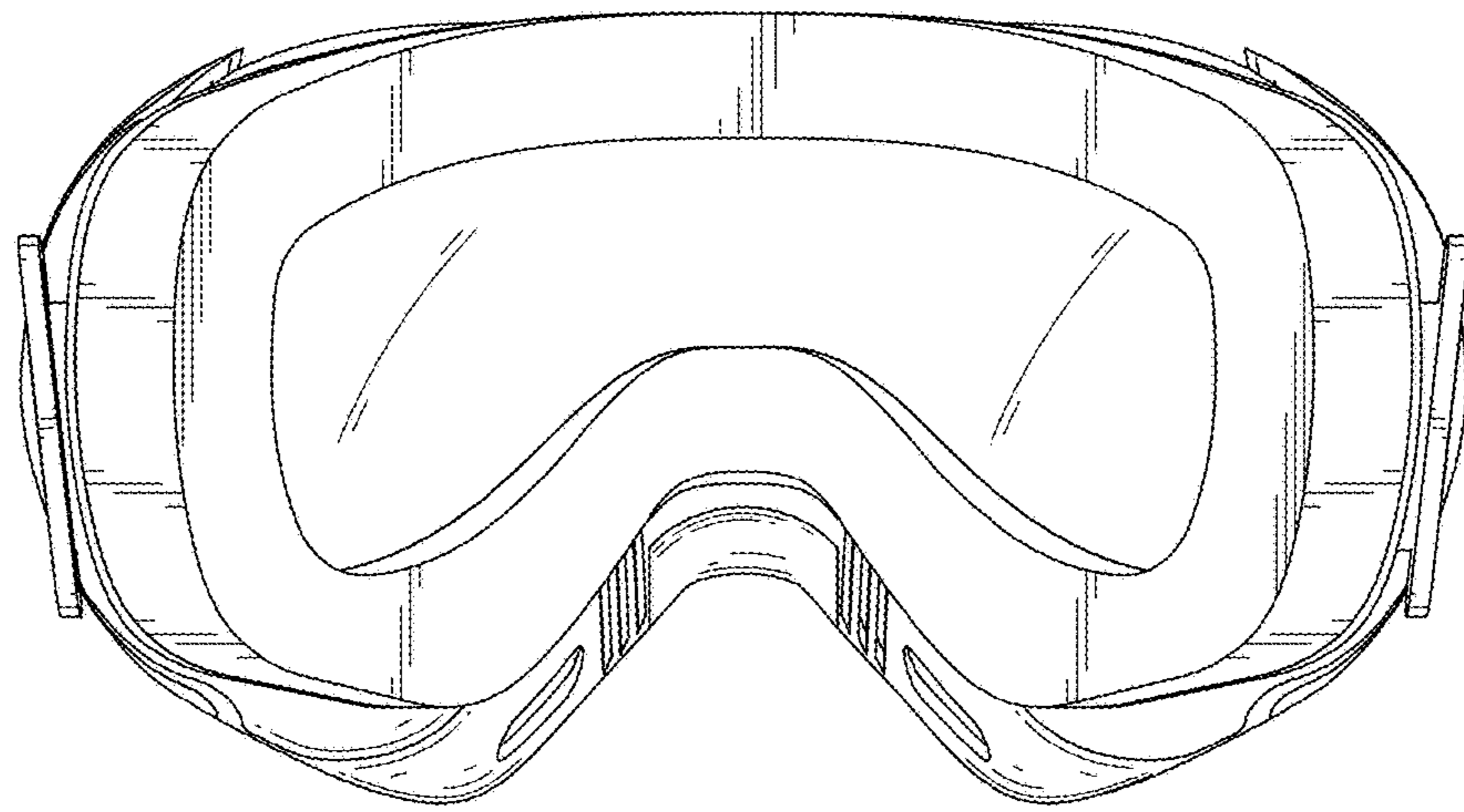


FIG. 4

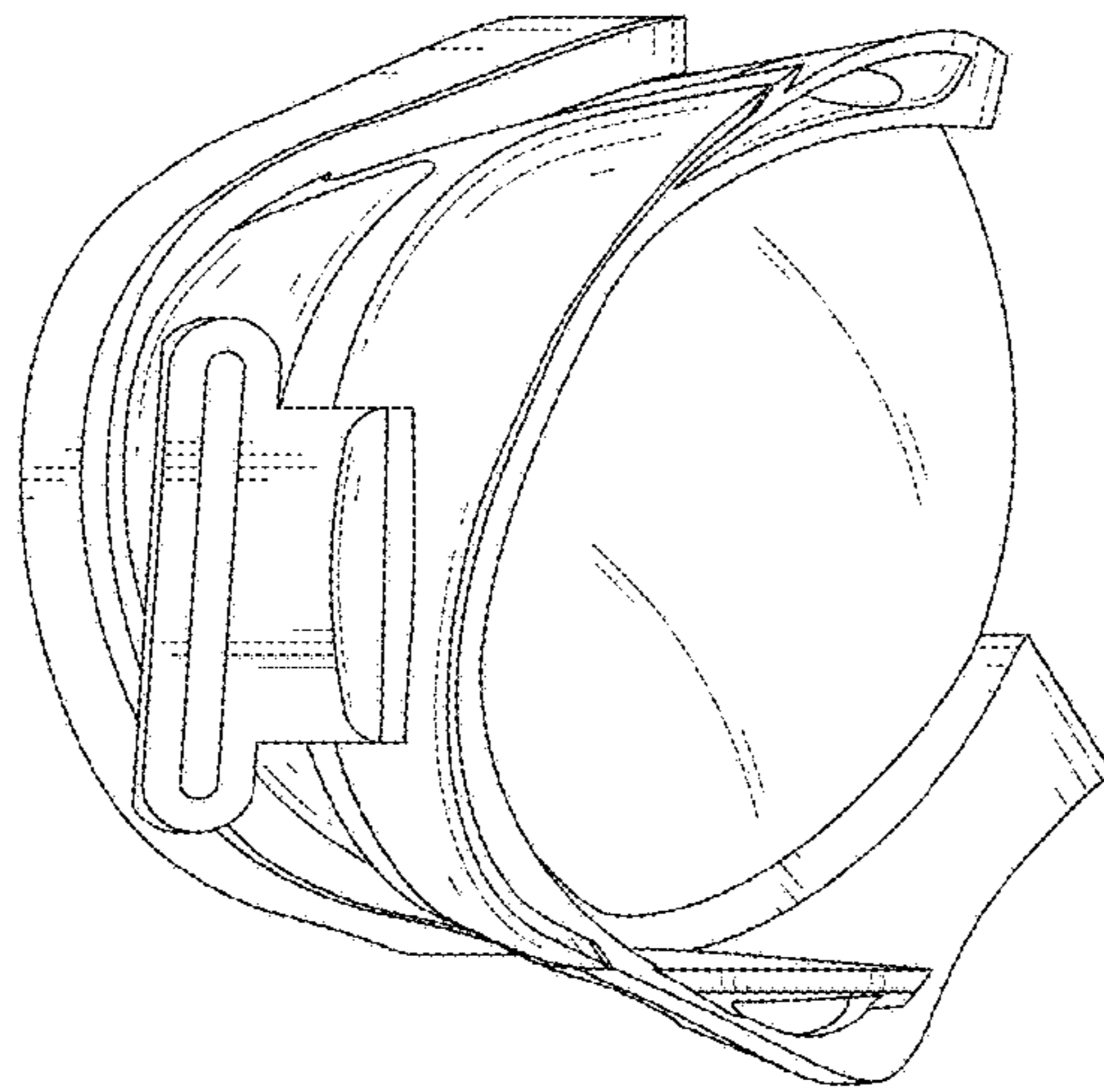


FIG. 5

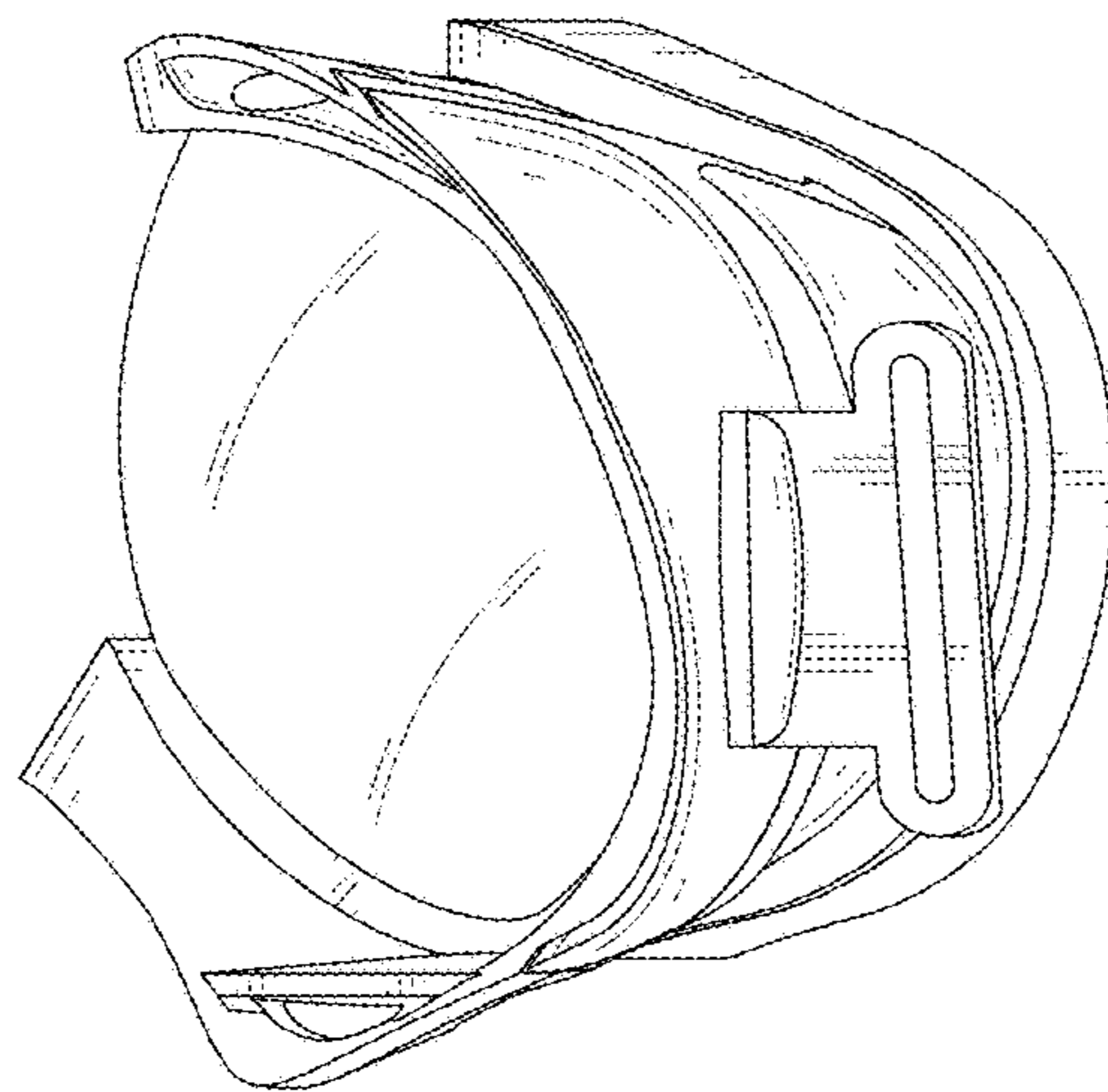


FIG. 6

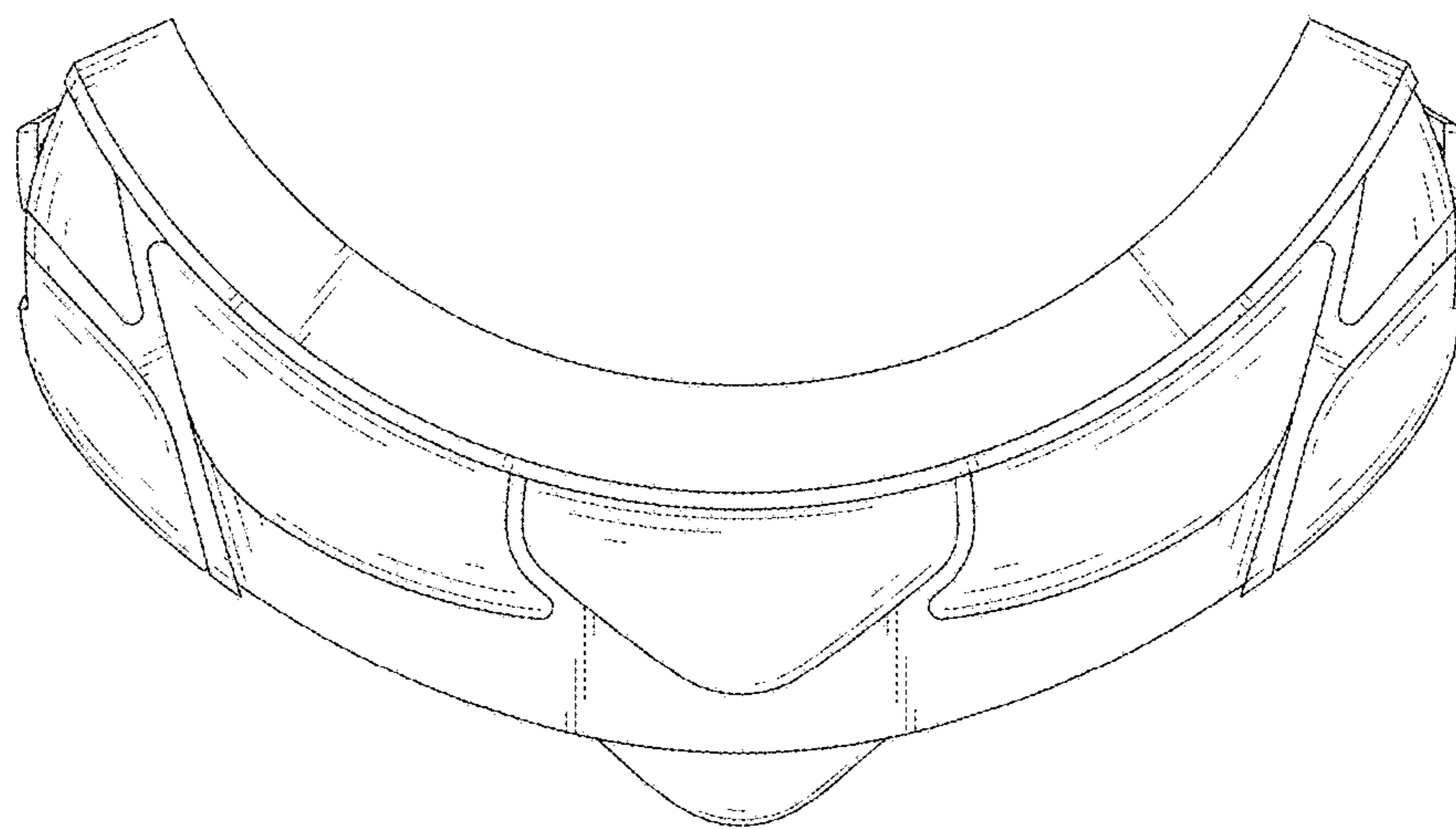


FIG. 7

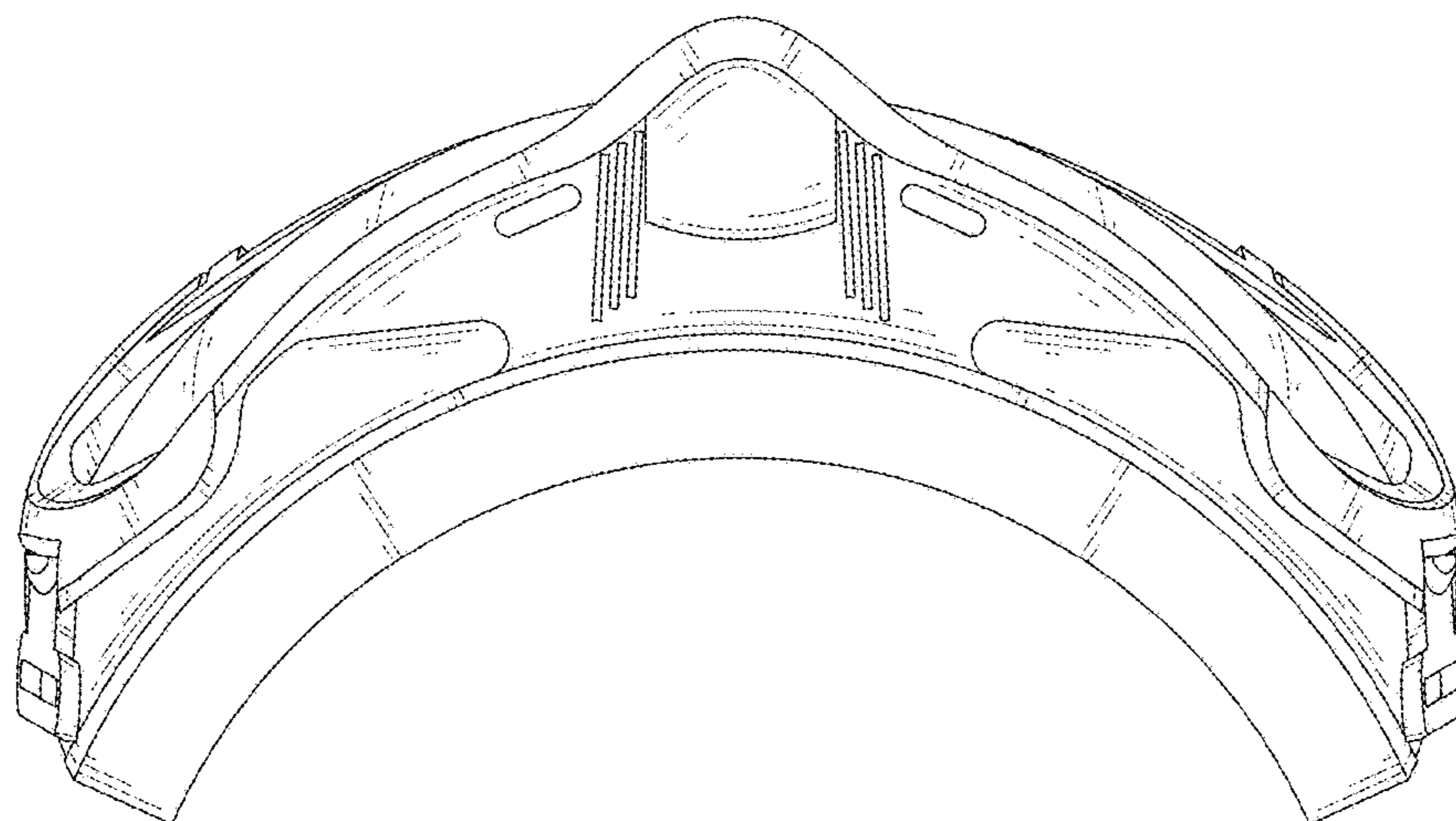


FIG. 8

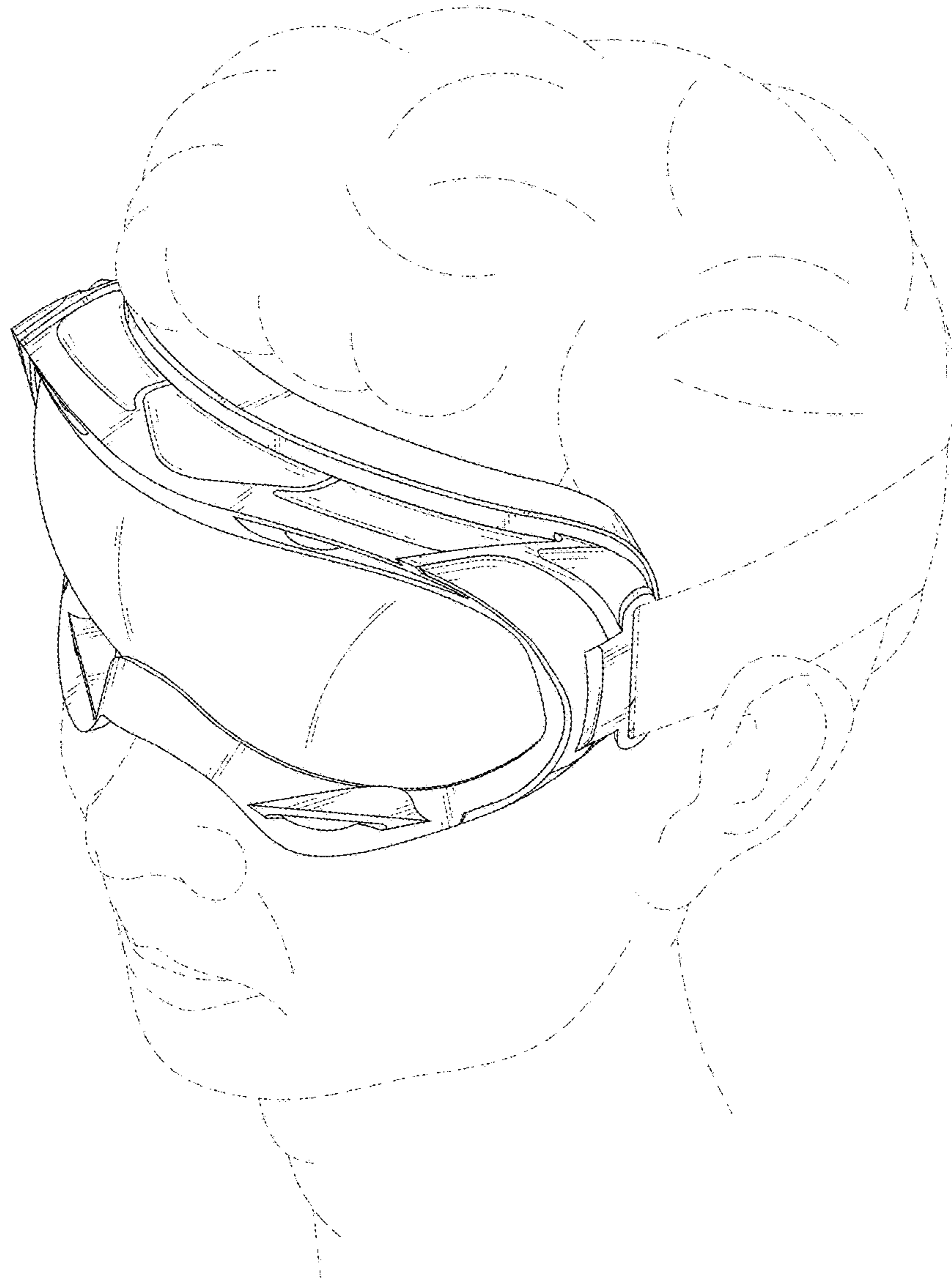


FIG. 9