



US00D858621S

(12) **United States Design Patent**  
**Ganovsky et al.**

(10) **Patent No.:** **US D858,621 S**

(45) **Date of Patent:** **\*\* Sep. 3, 2019**

(54) **HIDDEN STACKABLE FOLDING GLASSES  
PENDANT**

(71) Applicant: **Neckglasses, LLC**, Oxford, MS (US)

(72) Inventors: **Karen June Ganovsky**, Windermere,  
FL (US); **Peng Lee**, Oxford, MS (US);  
**Dianna Varner Seddon**, Oxford, MS  
(US)

(73) Assignee: **Neck Glasses, LLC**, Oxford, MS (US)

(\*\*) Term: **15 Years**

(21) Appl. No.: **29/638,141**

(22) Filed: **Feb. 24, 2018**

(51) **LOC (12) Cl.** ..... **16-06**

(52) **U.S. Cl.**  
USPC ..... **D16/303**

(58) **Field of Classification Search**  
USPC ..... D16/302, 303, 306  
CPC ..... G02C 5/08; G02C 5/006; G02C 3/04  
See application file for complete search history.

(56) **References Cited**

**U.S. PATENT DOCUMENTS**

156,468	A *	11/1874	Wakefield	.....	G02C 5/006 351/63
381,260	A *	4/1888	Leighton	.....	A61N 1/0408 607/141
1,035,853	A *	8/1912	Briggs	.....	G02C 3/04 351/56
1,214,184	A *	1/1917	Krementz	.....	G02C 3/00 351/133
1,419,369	A *	6/1922	Gauer	.....	G02C 5/006 351/64
1,522,620	A *	1/1925	Gaspari	.....	G02C 3/00 351/64
1,663,053	A *	3/1928	Laubscher	.....	G02C 3/00 351/64
1,666,826	A *	4/1928	LeMay	.....	G02C 5/006 351/64

(Continued)

**OTHER PUBLICATIONS**

Antique H.E. Clark Gold Floral Lorgnette Pendant, posted at ebay.com, posting date not given, [online], [site visited May 17, 2019]. Available from Internet, <URL: https://www.ebay.com/itm/Antique-H-E-Clark-14K-Gold-Floral-Carved-Lorgnette-Pendant-21-24grams/293030694037> (Year: 2019).\*

(Continued)

*Primary Examiner* — George D. Kirschbaum

*Assistant Examiner* — Maria J Edwards

(74) *Attorney, Agent, or Firm* — Veritay Group, IP; Susan Fentress

(57) **CLAIM**

The ornamental design for a hidden stackable folding glasses pendant, as shown and described.

**DESCRIPTION**

FIG. 1 is an isometric view of a hidden stackable folding glasses pendant, in a folded position, according to our new design;

FIG. 2 is a front view thereof;

FIG. 3 is a right-side view thereof;

FIG. 4 is a rear view thereof;

FIG. 5 is a left-side view thereof;

FIG. 6 is a top view thereof;

FIG. 7 is a bottom view thereof;

FIG. 8 is an isometric view of the hidden stackable folding glasses pendant of FIG. 1, in an unfolded position;

FIG. 9 is a front view thereof;

FIG. 10 is a right-side view thereof;

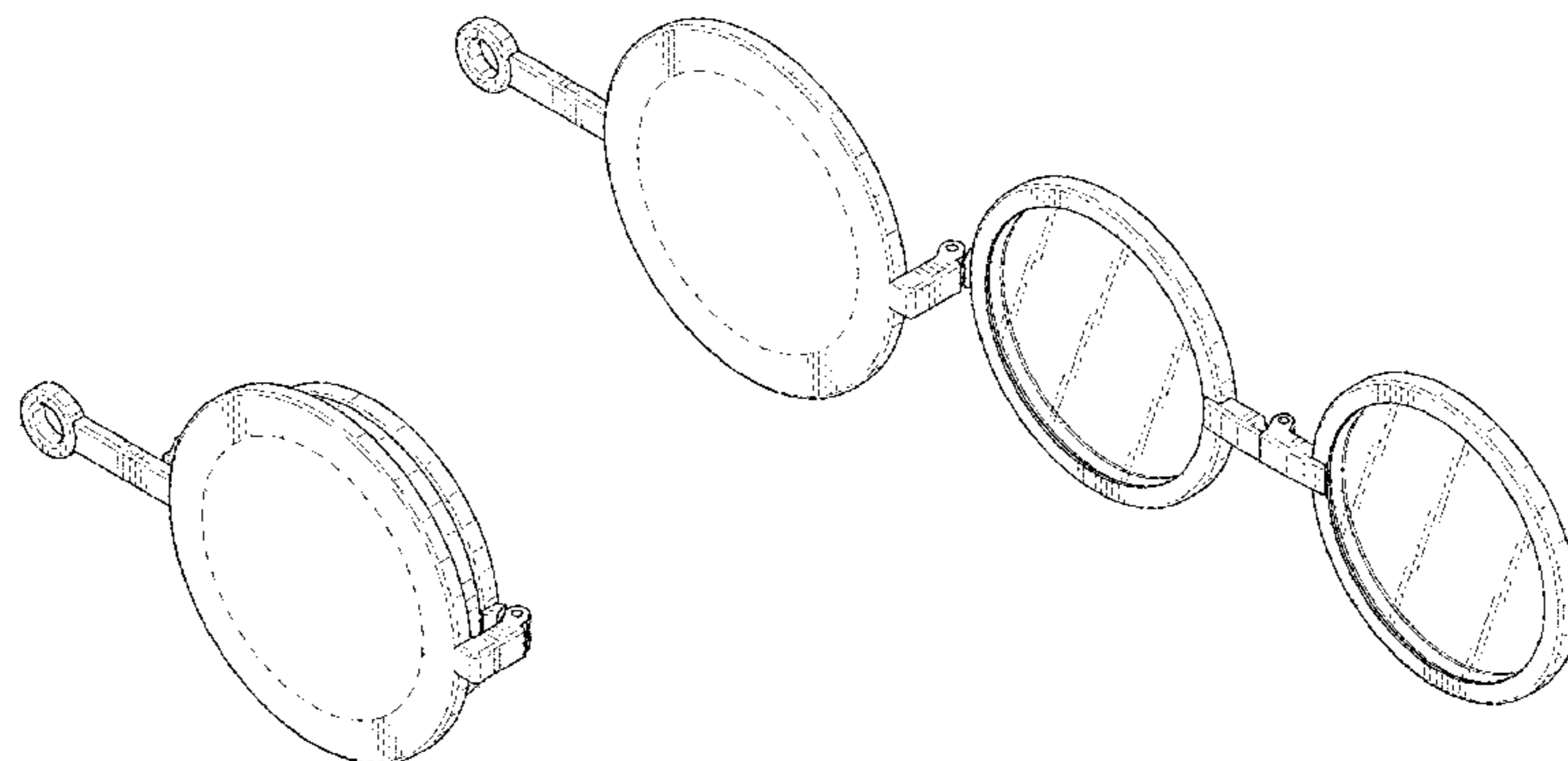
FIG. 11 is a rear view thereof;

FIG. 12 is a left-side view thereof;

FIG. 13 is a top view thereof; and,

FIG. 14 is a bottom view thereof.

**1 Claim, 5 Drawing Sheets**



(56)

References Cited

U.S. PATENT DOCUMENTS

1,670,350 A \* 5/1928 Hamilton ..... G02C 3/04  
351/56  
1,679,233 A \* 7/1928 Strauss ..... G02C 5/06  
351/48  
1,737,979 A \* 12/1929 Short ..... G02C 3/00  
351/64  
1,759,863 A \* 5/1930 Nerney ..... G02C 3/00  
351/64  
1,800,266 A \* 4/1931 Short ..... G02C 3/00  
351/64  
1,865,711 A \* 7/1932 Splaine ..... G02C 3/00  
351/140  
1,873,338 A \* 8/1932 Schwab ..... G02C 3/00  
351/64  
1,953,995 A \* 4/1934 Tanasso ..... G02C 3/00  
351/64  
1,970,044 A \* 8/1934 Klein ..... G02C 5/006  
351/111  
1,970,079 A \* 8/1934 Eglinton ..... G02C 5/006  
351/63  
1,973,126 A \* 9/1934 Tanasso ..... G02C 3/00  
351/64  
1,973,587 A \* 9/1934 Vitolo ..... G02C 3/00  
351/64  
2,014,092 A \* 9/1935 Tanasso ..... G02C 3/00  
351/64  
2,016,685 A \* 10/1935 Searles ..... G02C 3/00  
351/64  
2,037,581 A \* 4/1936 Krementz ..... G02C 3/00  
351/64  
2,061,411 A \* 11/1936 Tanasso ..... G02C 3/00  
351/64  
2,071,058 A \* 2/1937 Bosworth ..... G02C 3/00  
351/64  
2,071,331 A \* 2/1937 Callahan ..... G02C 5/006  
351/126  
D190,971 S \* 7/1961 Rabb ..... D16/303  
D322,262 S \* 12/1991 Manus ..... D16/303  
D384,361 S \* 9/1997 Karasawa ..... D16/302

D409,220 S \* 5/1999 Wang ..... D16/306  
D713,444 S 9/2014 Lee et al.  
D750,155 S 2/2016 Ganovsky et al.  
D774,122 S 12/2016 Ganovsky et al.  
D777,825 S 1/2017 Ganovsky et al.  
2010/0073625 A1\* 3/2010 Engstrom ..... A45C 11/04  
351/63  
2010/0073626 A1\* 3/2010 Engstrom ..... A45C 11/04  
351/63  
2018/0267329 A1\* 9/2018 Barrina ..... G02C 5/08

OTHER PUBLICATIONS

Disney A Wrinkle in Time MRS WHO Spectacles, posted at ebay.com, posting date not given, [online], [site visited May 17, 2019]. Available from Internet, <URL: <https://www.ebay.com/itm/Disney-A-Wrinkle-in-Time-MRS-WHO-Spectacles-Glasses-Necklace-Women-Spec-Cosplay-/352269193686>> (Year: 2019).\*

Early 1900's lorgnette, posted at ebay.com, posting date not given, [online], [site visited May 17, 2019]. Available from Internet, <URL: <https://www.ebay.com/itm/Early-19005-lorgnettes-14k-Gold-Filled/303079275018>> (Year: 2019).\*

Emily, posted at myneckglasses.com, posting date by Jan. 11, 2019, [online], [site visited May 17, 2019]. Available from Internet, <URL: <https://myneckglasses.com/product/emily/>> (Year: 2019).\*

English Late Georgian Gold Folding Lorgnette, posted at ebay.com, posting date by Nov. 7, 2018, [online], [site visited May 17, 2019]. Available from Internet, <URL: <https://www.ebay.com/itm/ANTIQUE-ENGLISH-LATE-GEORGIAN-GOLD-FOLDING-LORGNETTE-QUIZZER-c1820/362370133070>> (Year: 2018).\*

Victorian 10k Gold Lorgnette Spectacles, posted at ebay.com, posting date not given, [online], [site visited May 17, 2019]. Available from Internet, <URL: <https://www.ebay.com/itm/Victorian-10k-Gold-Lorgnette-Spectacle-Eyeglasses/173843162400>> (Year: 2019).\*

White Gold Lorgnette Balcony Eyeglasses, posted at ebay.com, posting date not given, [online], [site visited May 17, 2019]. Available from Internet, <URL: <https://www.ebay.com/itm/14k-White-Gold-Lorgnettes-Balcony-Eyeglasses-Early-20th-Century/292984988442>> (Year: 2019).\*

\* cited by examiner

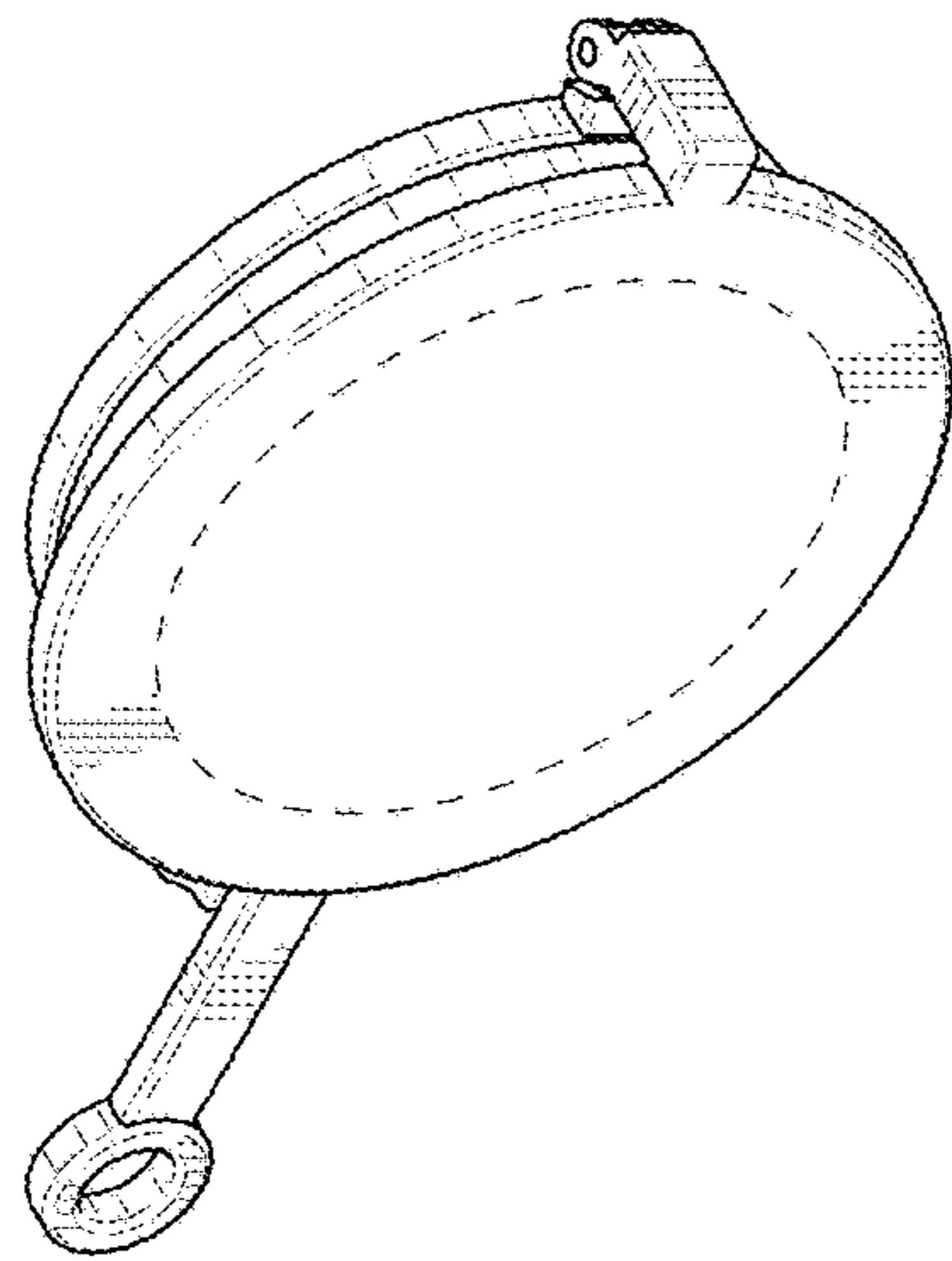


FIG. 1

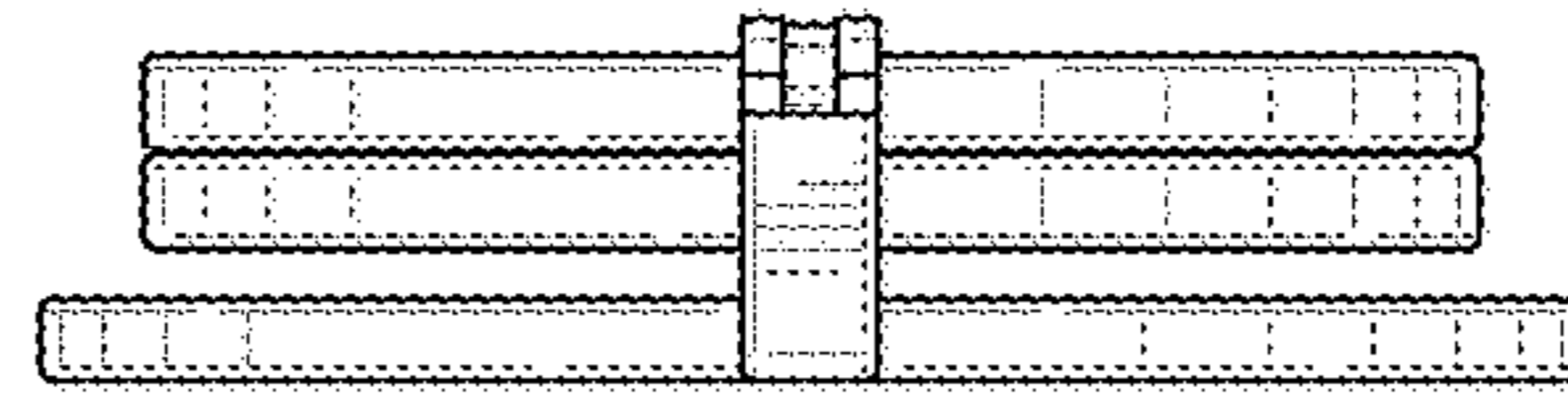


FIG. 3

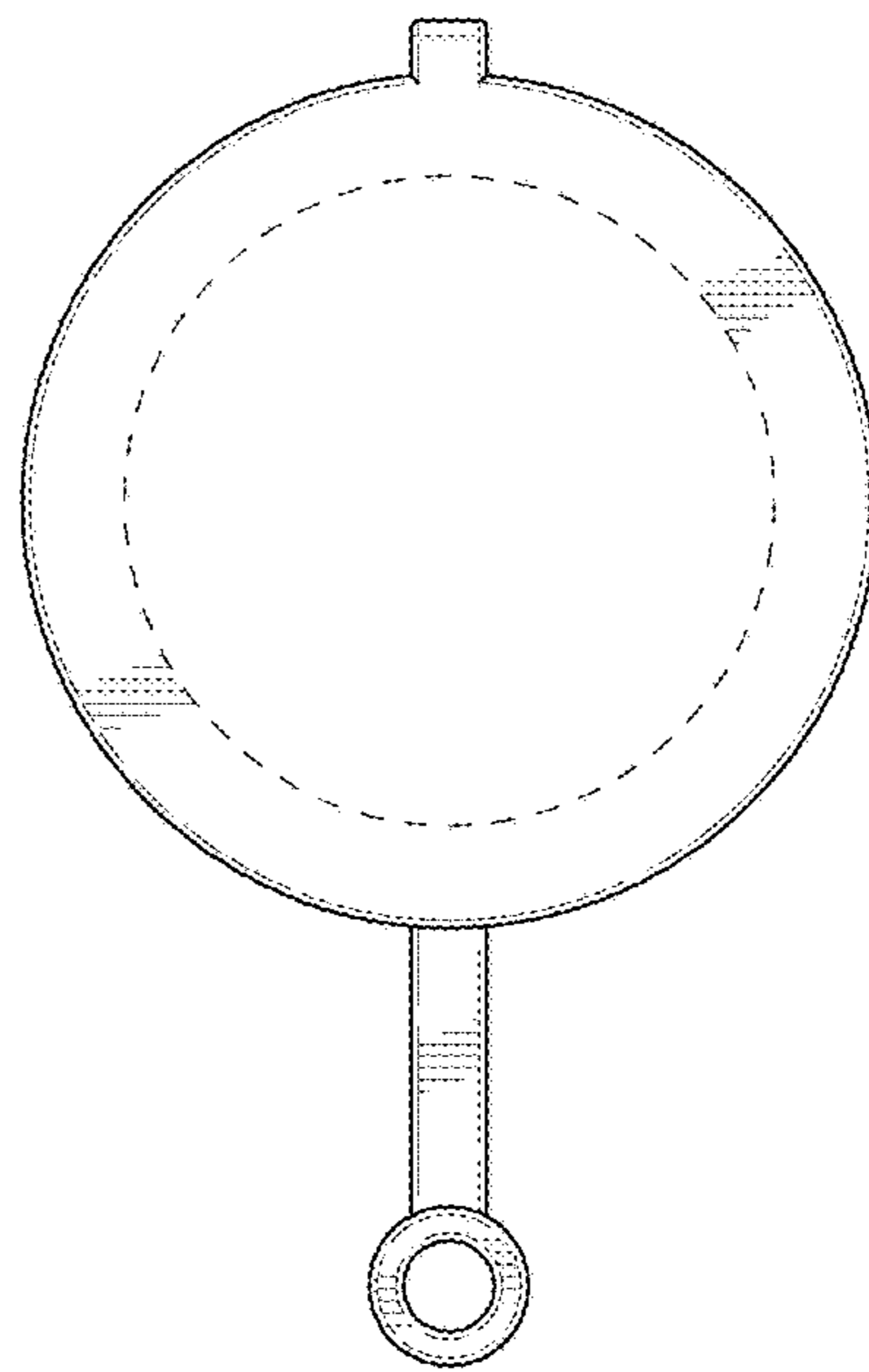


FIG. 2

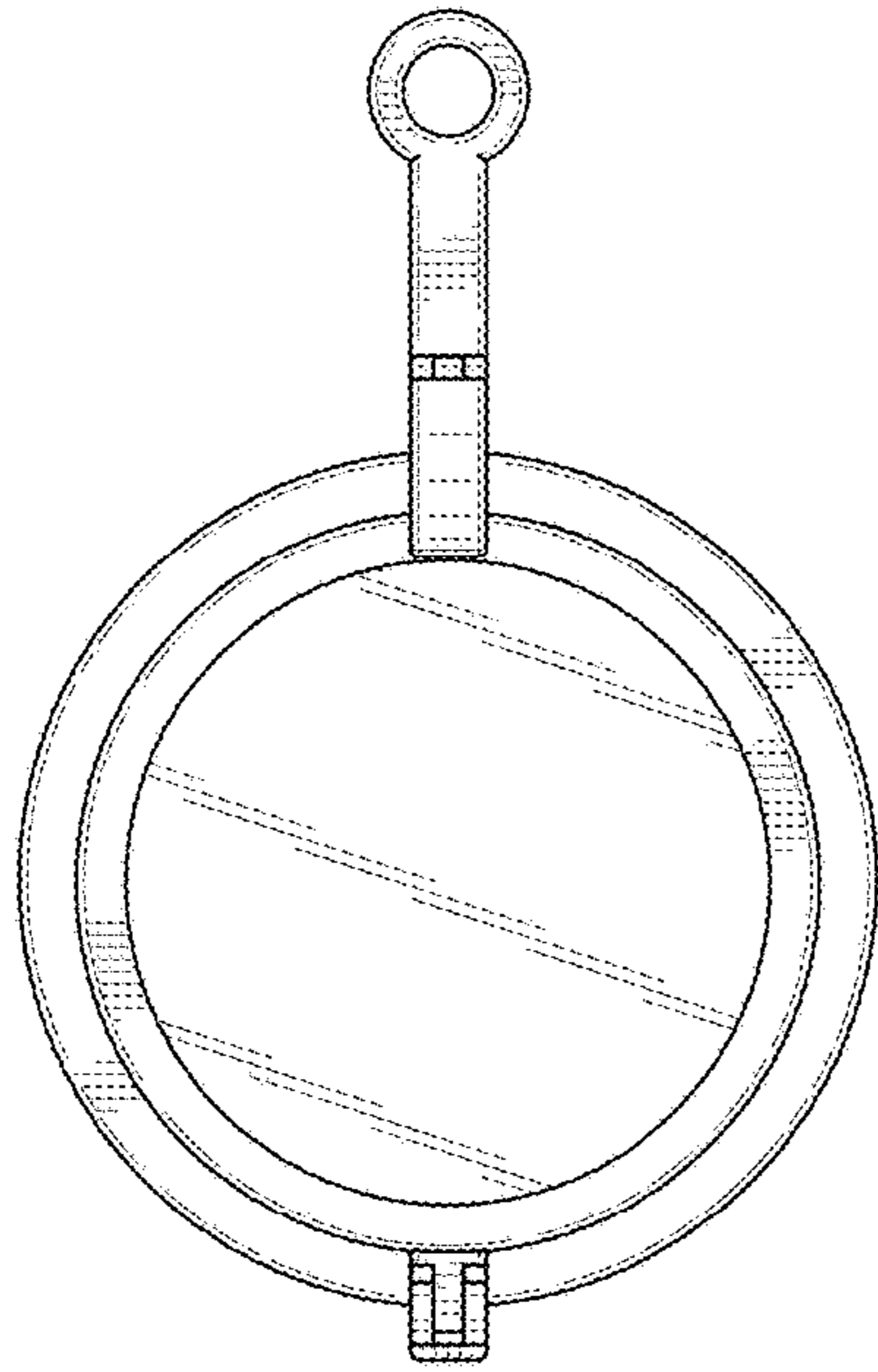


FIG. 4

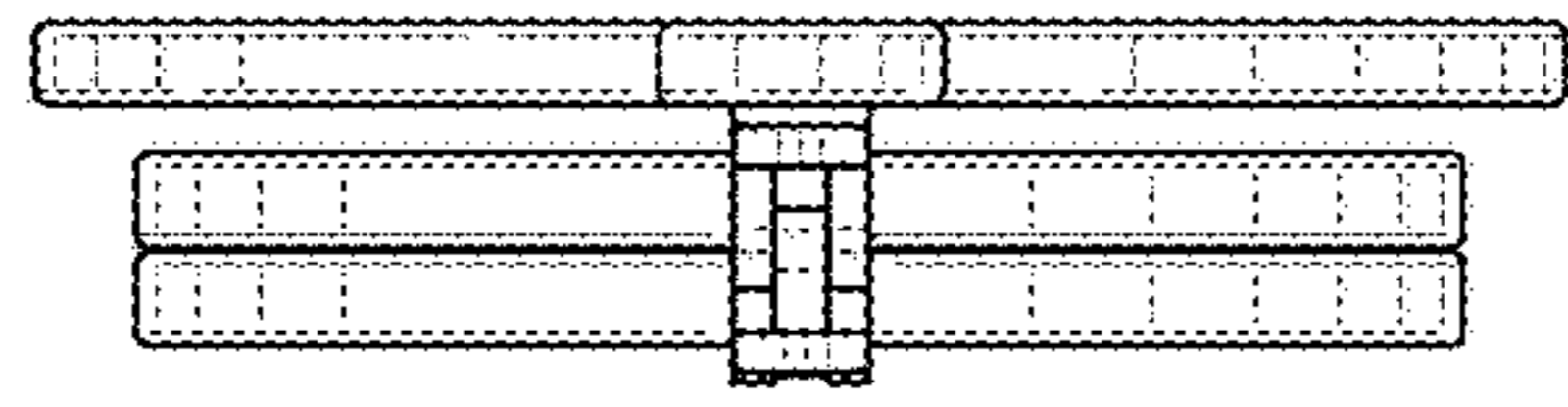


FIG. 5

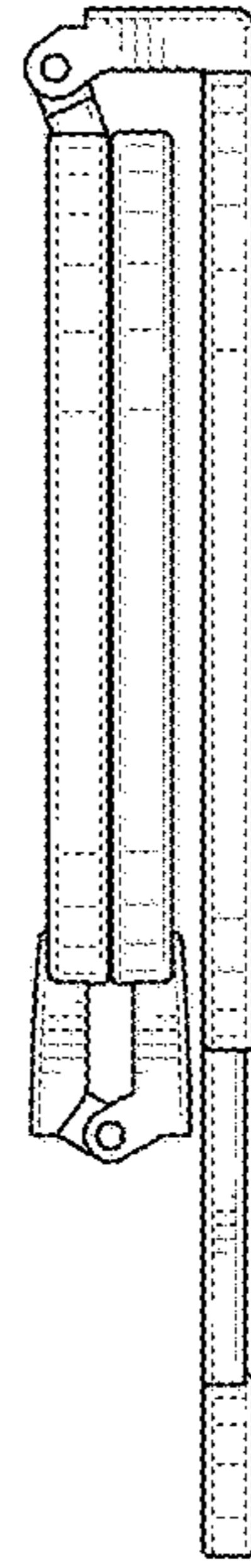


FIG. 6

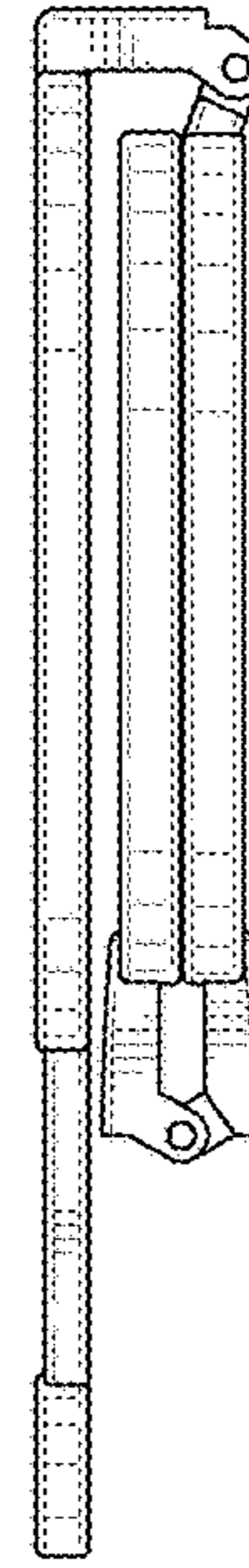


FIG. 7

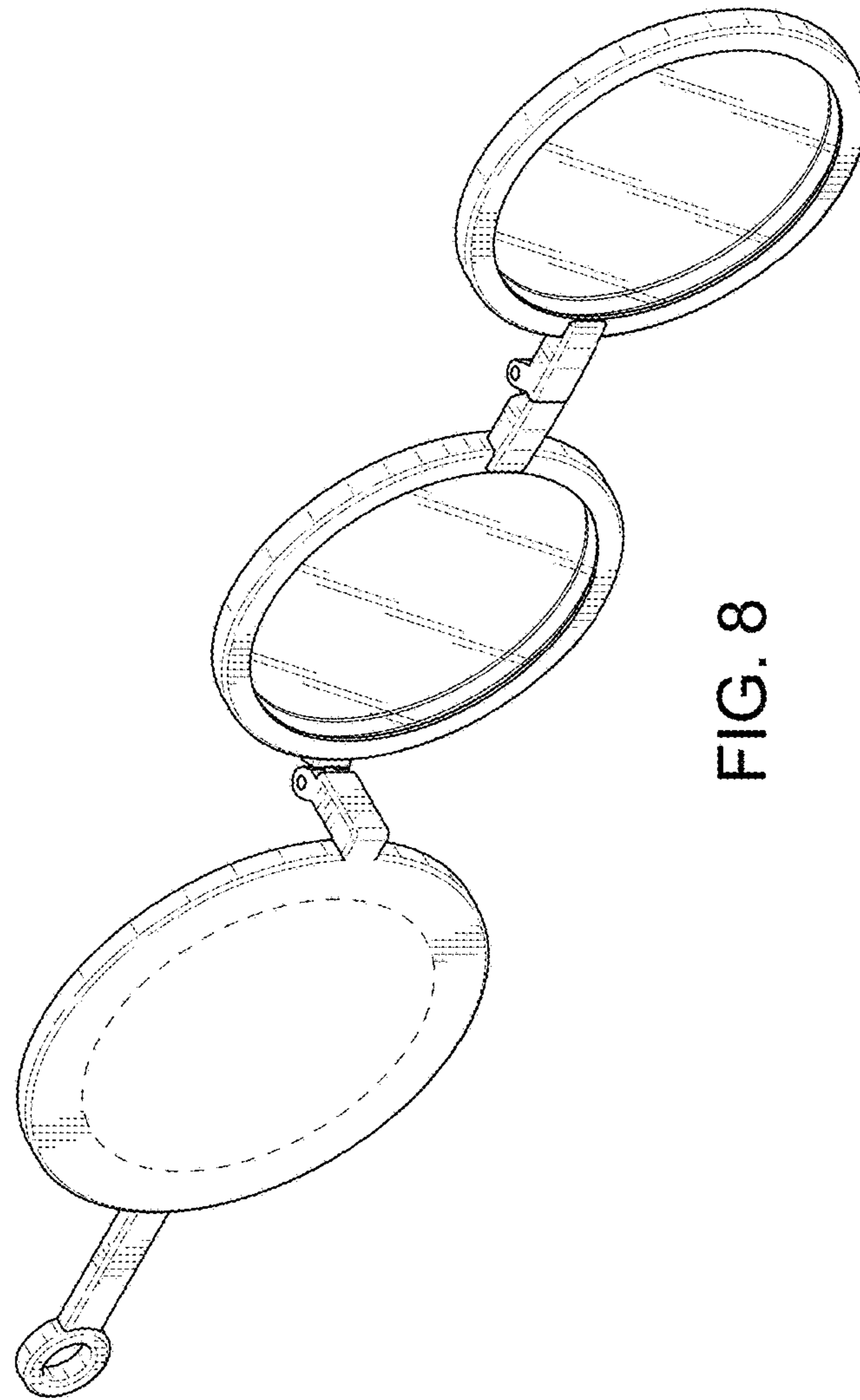


FIG. 8

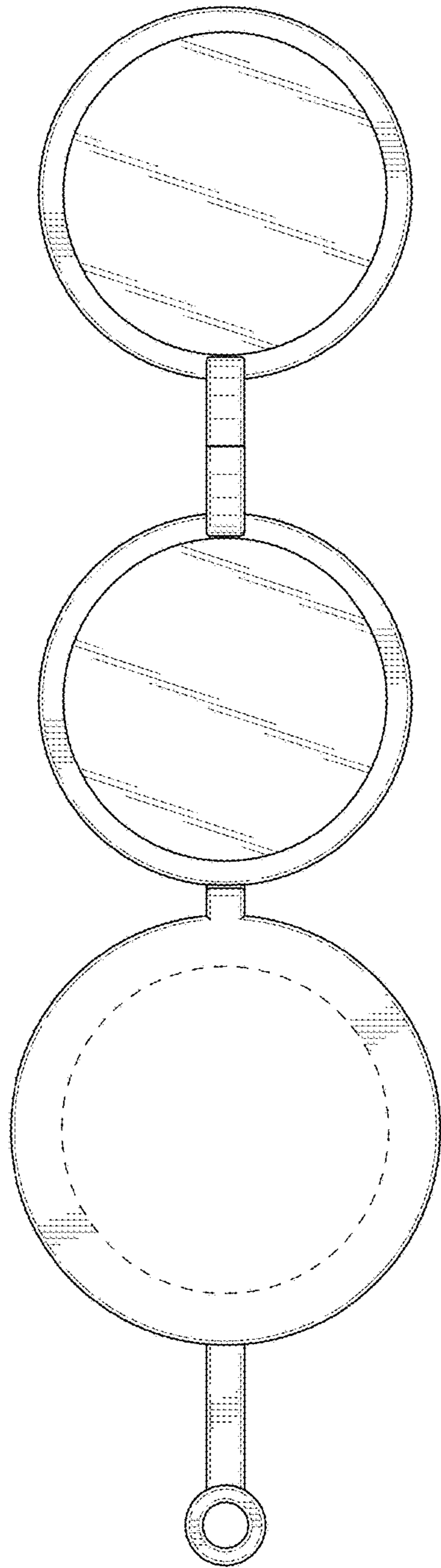


FIG. 9

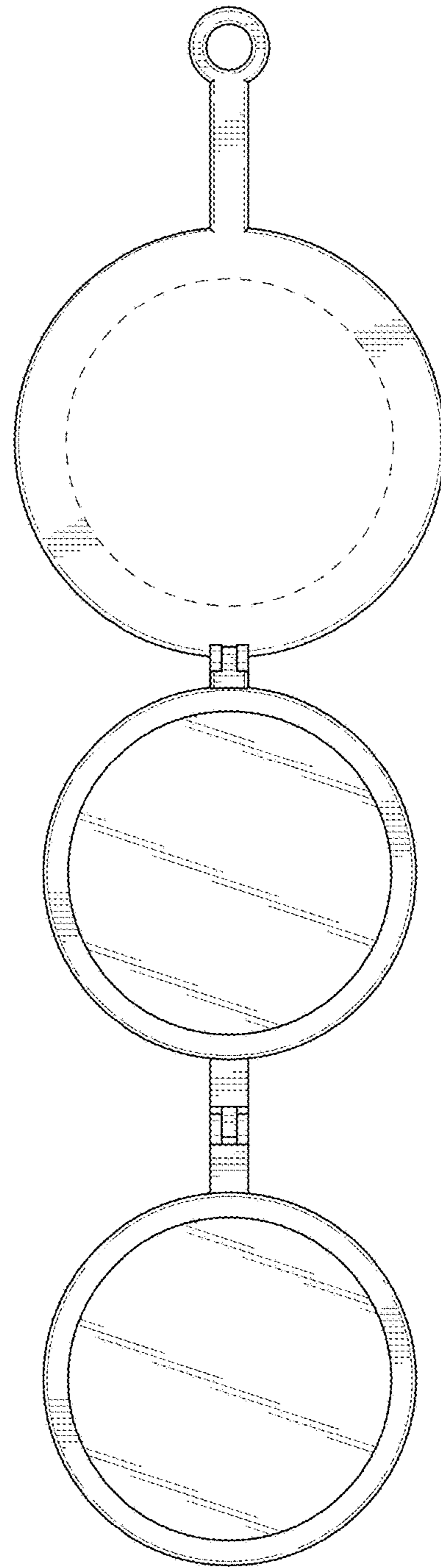


FIG. 11

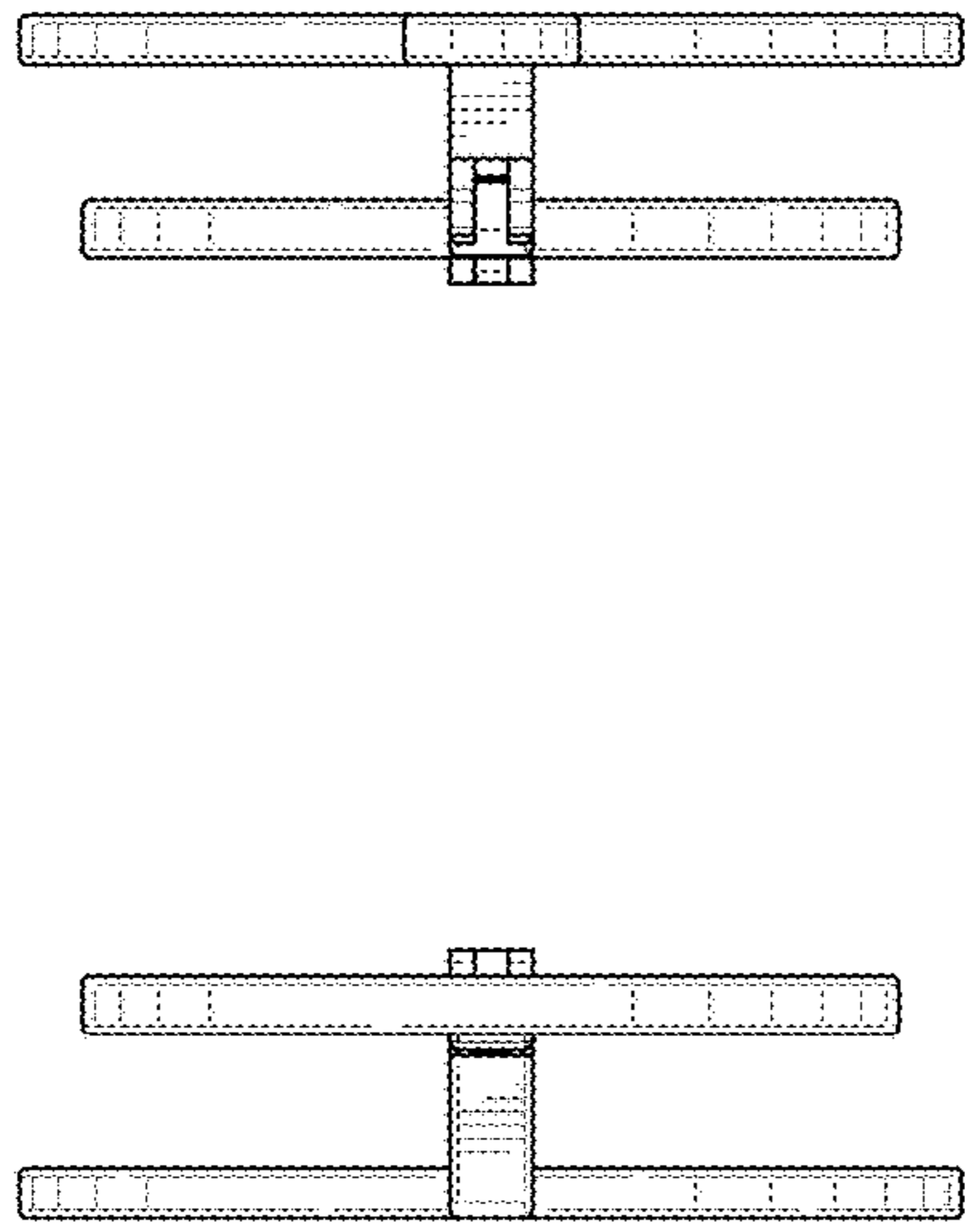


FIG. 10

FIG. 12

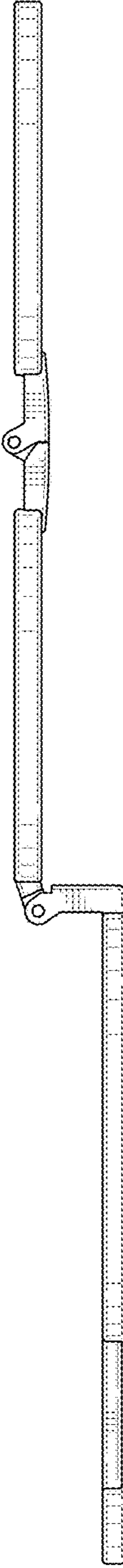


FIG. 13

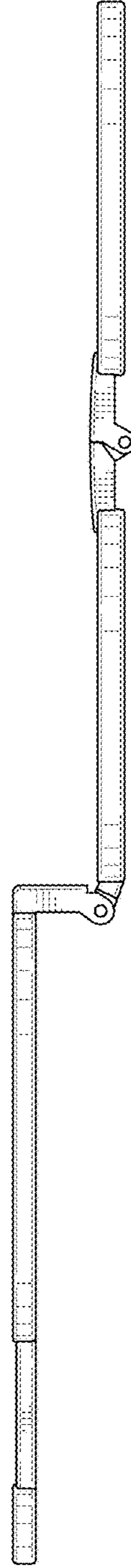


FIG. 14