



US00D858620S

(12) **United States Design Patent** (10) **Patent No.:** **US D858,620 S**
Fidler (45) **Date of Patent:** **** Sep. 3, 2019**

(54) **CAMERA MOUNT**
(71) Applicant: **Furrion Property Holding Limited,**
Hong Kong (HK)
(72) Inventor: **Matthew David Fidler,** Hong Kong
(HK)
(73) Assignee: **Furrion Property Holding Limited,**
Hong Kong (HK)
(**) Term: **15 Years**
(21) Appl. No.: **29/645,836**
(22) Filed: **Apr. 30, 2018**
(51) **LOC (12) Cl.** **16-05**
(52) **U.S. Cl.**
USPC **D16/242**
(58) **Field of Classification Search**
USPC D16/219, 237-250; D14/224, 229, 238,
D14/251, 253; D8/354, 355, 363, 373,
D8/382-383, 394-396
CPC F16M 11/06-10; F16M 11/14; G02B
7/00-002; G03B 17/56; G03B
17/561-568; H04N 5/2253-2254; A45F
2200/0508-0533; A45F 5/00; A45F 5/10
See application file for complete search history.

D656,932 S * 4/2012 Wikel D12/415
D694,178 S * 11/2013 Bennett D13/107
D712,956 S * 9/2014 Li D16/239
D797,602 S * 9/2017 Li D12/16.1
D835,081 S * 12/2018 Luo D14/229
D841,641 S * 2/2019 Huang D14/253
D841,642 S * 2/2019 Eslava D14/253

OTHER PUBLICATIONS

Vision S 7 4 Camera System with Marker Lights. [online] Retrieved
Apr. 3, 2019 from URL: [https://furrion.com/collections/cameras/
products/vision-s-7-four-camera-observation-system.*](https://furrion.com/collections/cameras/products/vision-s-7-four-camera-observation-system.*)

(Continued)

Primary Examiner — Vy N Koenig
(74) *Attorney, Agent, or Firm* — Faegre Baker Daniels
LLP

(57) **CLAIM**

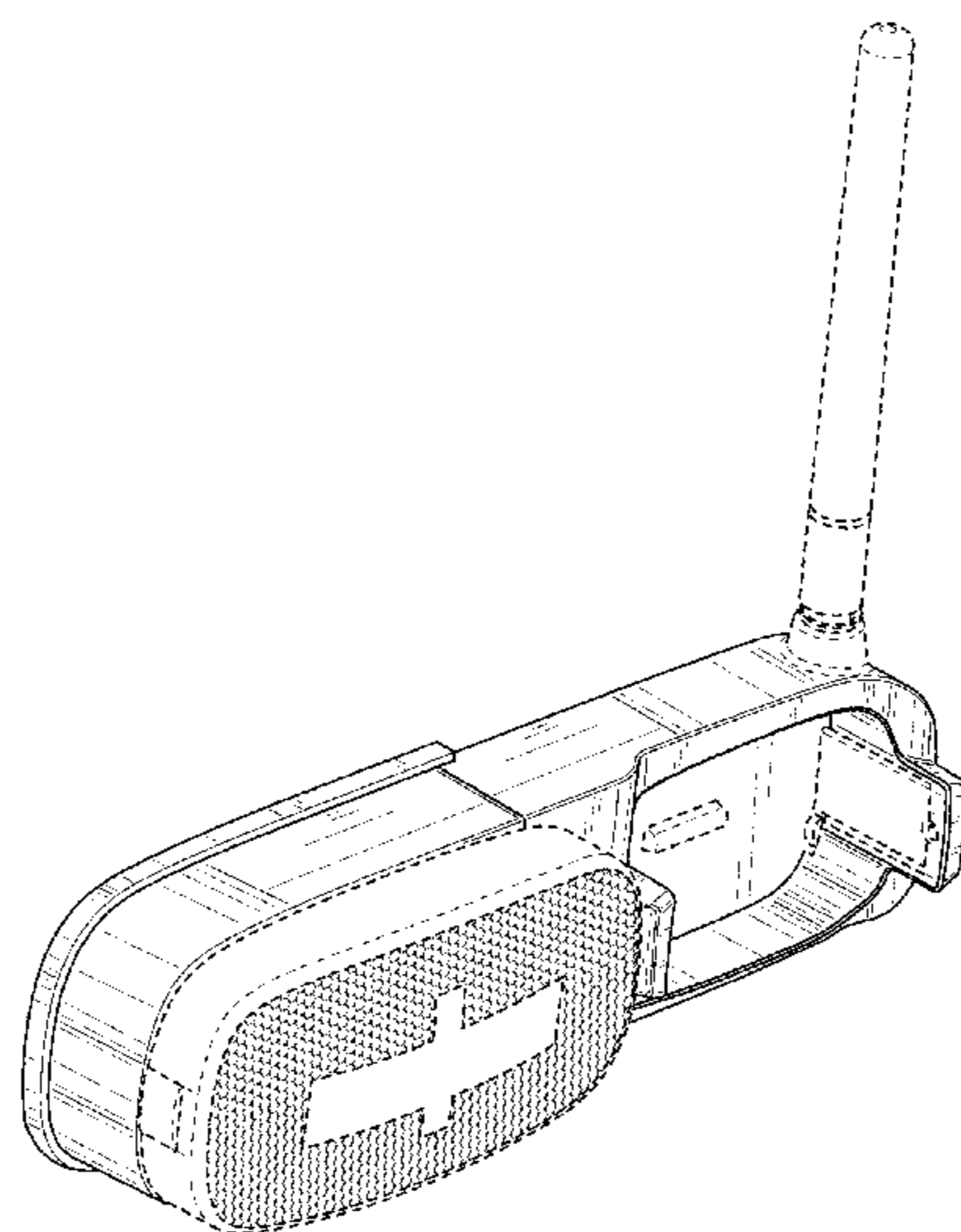
The ornamental design for a camera mount, as shown and
described.

DESCRIPTION

FIG. 1 is a front perspective view of a camera mount
illustrating my new design;
FIG. 2 is a front view thereof;
FIG. 3 is a rear view thereof;
FIG. 4 is a left side view thereof;
FIG. 5 is a right side view thereof;
FIG. 6 is a top view thereof;
FIG. 7 is a bottom view thereof; and,
FIG. 8 is a front view of the camera mount of FIG. 1 coupled
to an optional camera.
In FIGS. 1-8, evenly-spaced broken lines illustrate features
that form no part of the claimed design. In FIG. 8, long-short
broken lines illustrate an optional environment of a camera
that forms no part of the claimed design.

1 Claim, 8 Drawing Sheets

(56) **References Cited**
U.S. PATENT DOCUMENTS
D335,672 S * 5/1993 Leman D14/251
D349,717 S * 8/1994 Akaike D16/244
D402,993 S * 12/1998 James D14/253
D468,733 S * 1/2003 Narducci D14/253
D469,427 S * 1/2003 Ma D14/253
D471,907 S * 3/2003 Peiker D14/253
D472,896 S * 4/2003 Peiker D14/253
D479,228 S * 9/2003 Sakaguchi D14/253
D500,314 S * 12/2004 Lodato D14/253



(56)

References Cited

OTHER PUBLICATIONS

“Camera Mounting Interface,” Design U.S. Appl. No. 29/645,846, filed Apr. 30, 2018 under the applicant Furrion Property Holding Limited, 8 pages.

“Camera,” Design U.S. Appl. No. 29/645,827, filed Apr. 30, 2018 under the applicant Furrion Property Holding Limited, 8 pages.

“Camera,” Design U.S. Appl. No. 29/645,833, filed Apr. 30, 2018 under the applicant Furrion Property Holding Limited, 9 pages.

“Illuminating Camera Mount,” Design U.S. Appl. No. 29/645,843, filed Apr. 30, 2018 under the applicant Furrion Property Holding Limited, 9 pages.

* cited by examiner

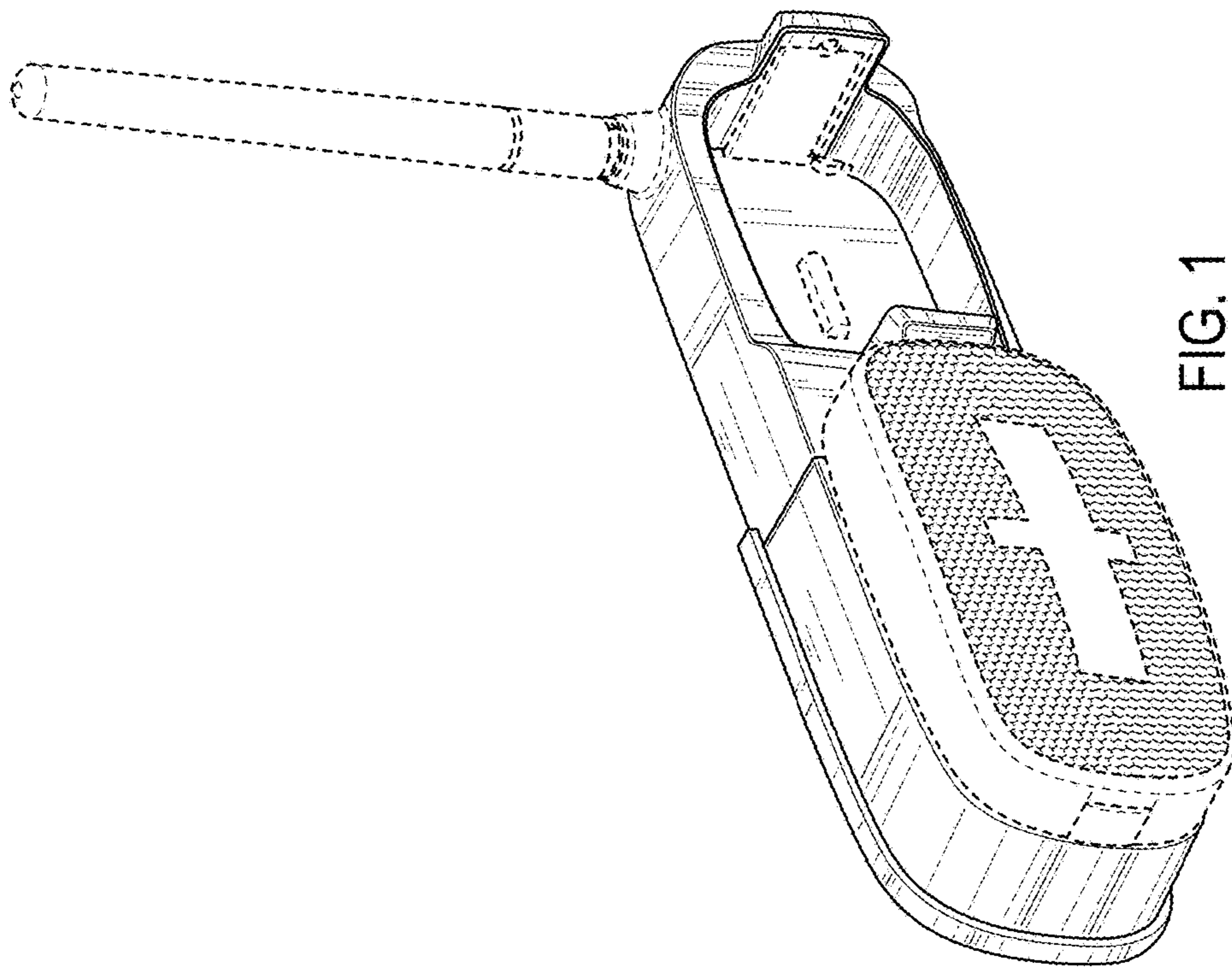


FIG. 1

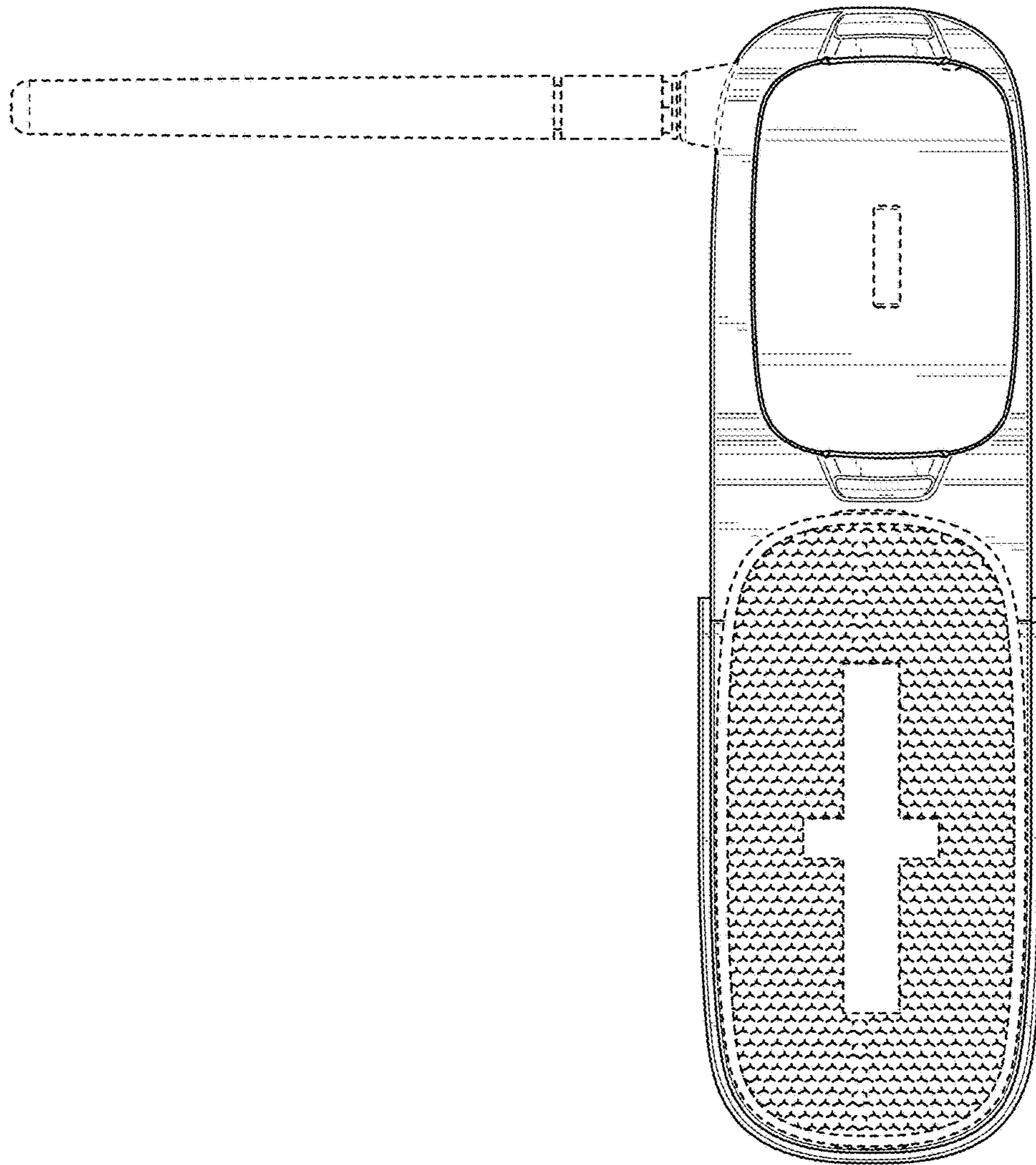
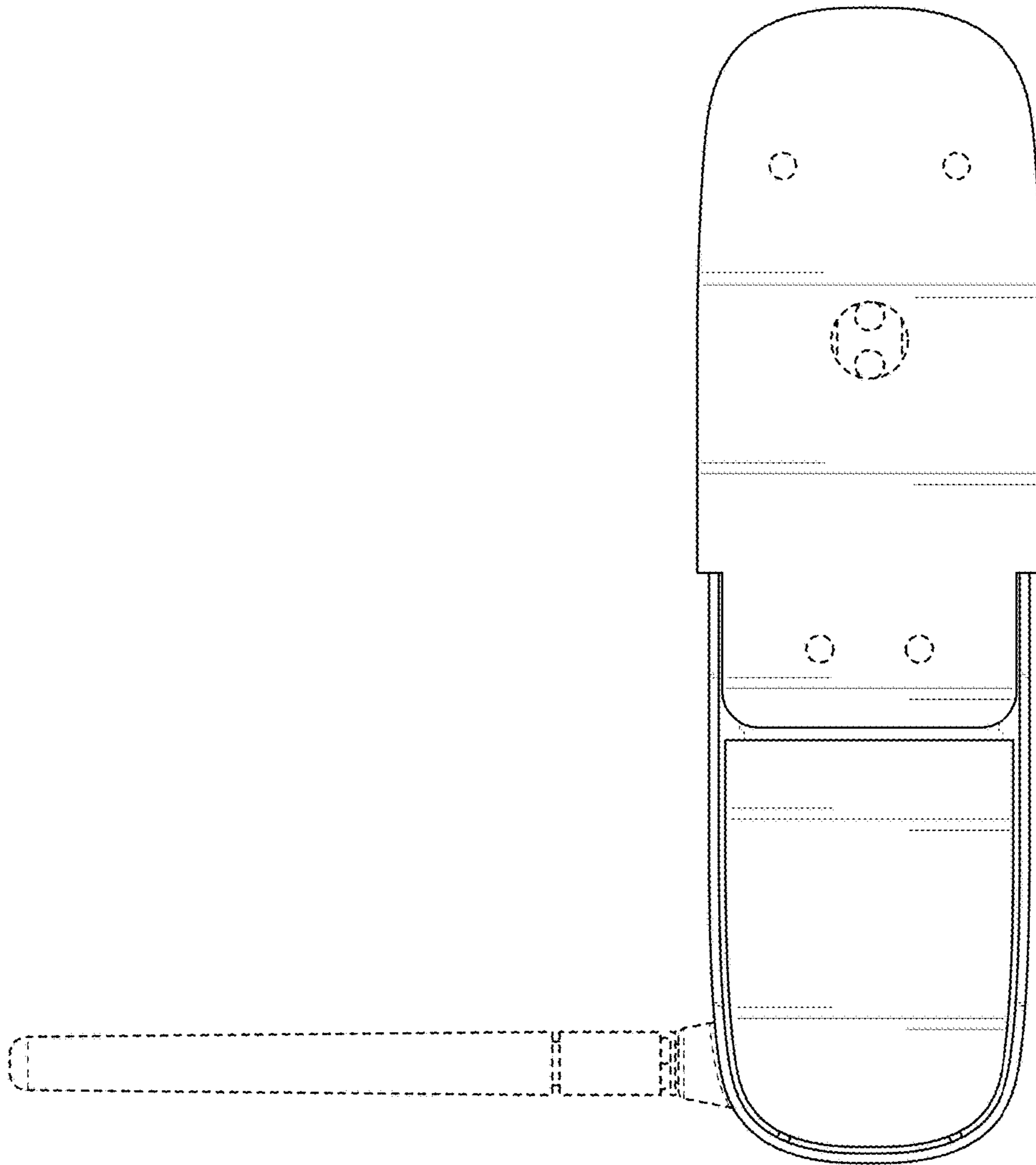


FIG. 2

FIG. 3



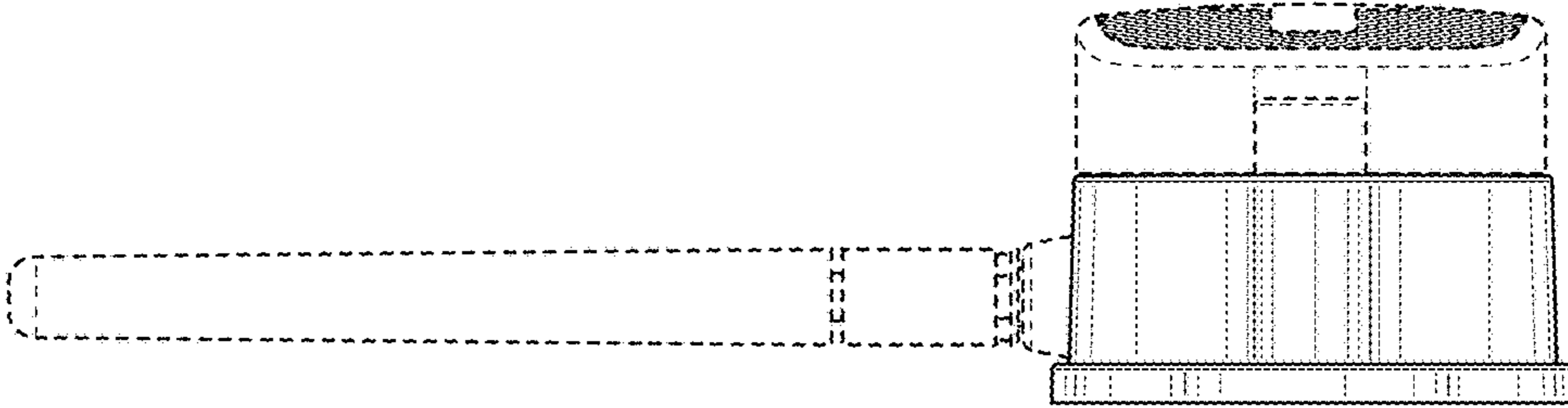


FIG. 4

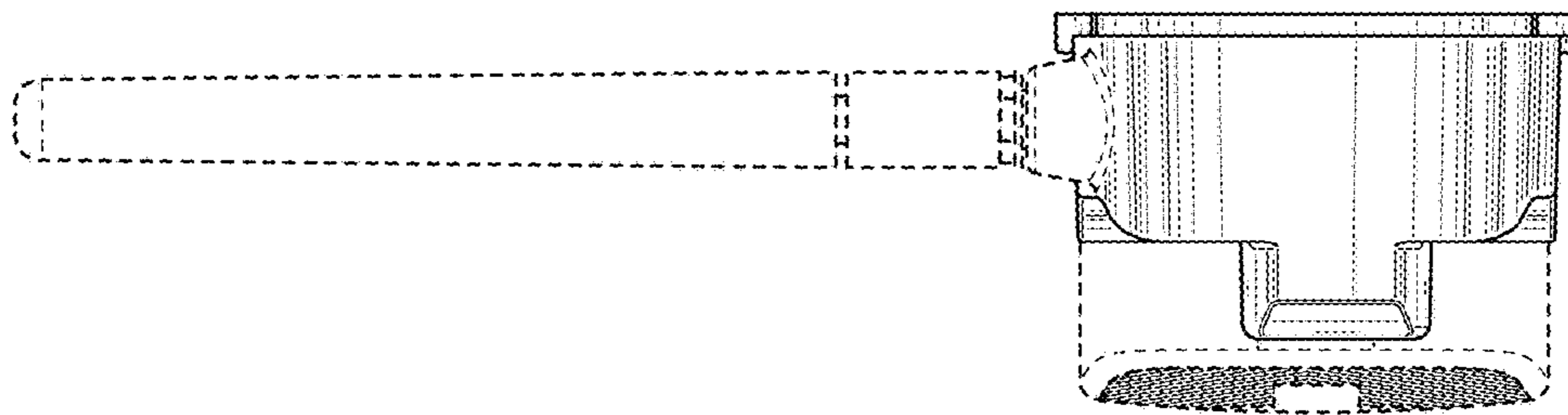


FIG. 5

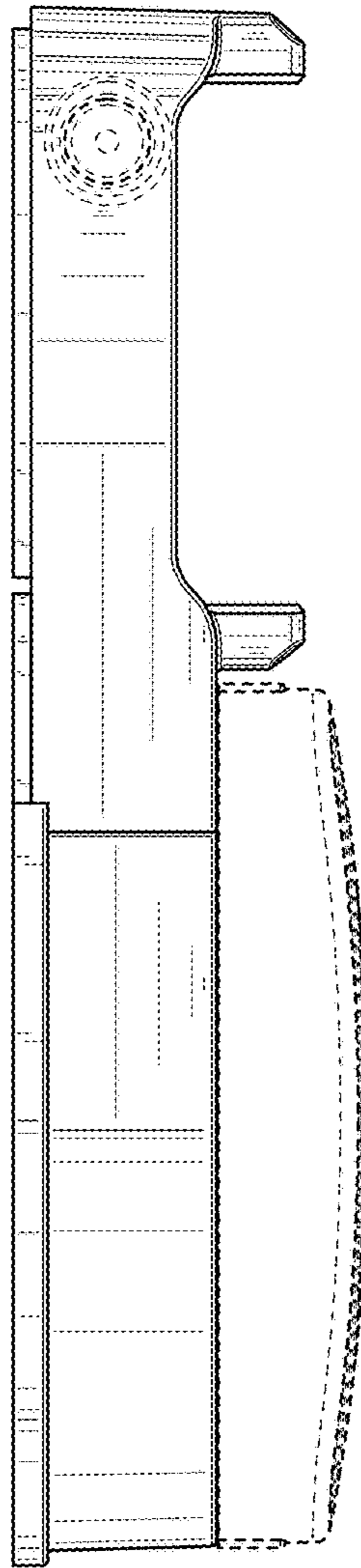


FIG. 6

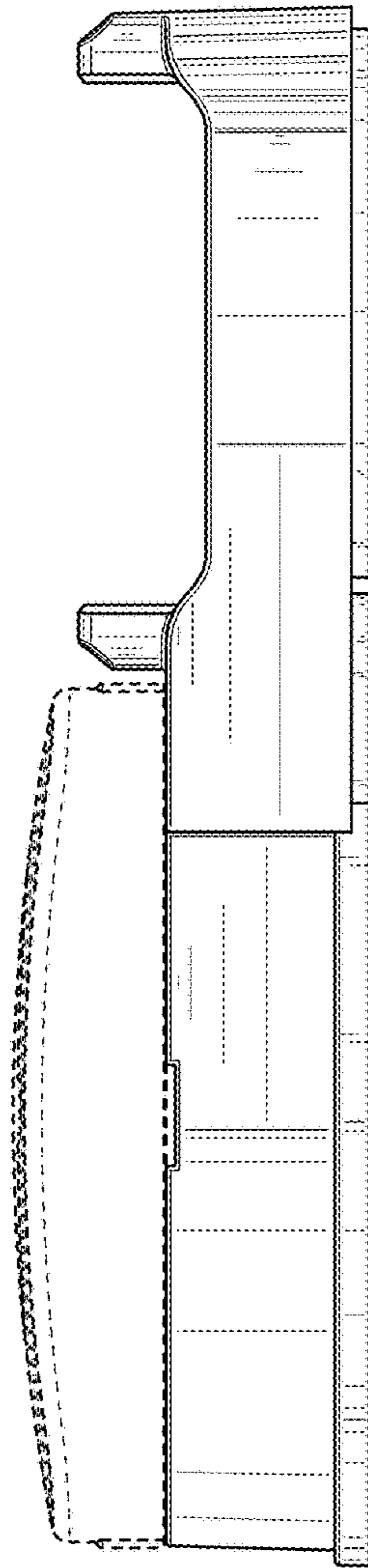


FIG. 7

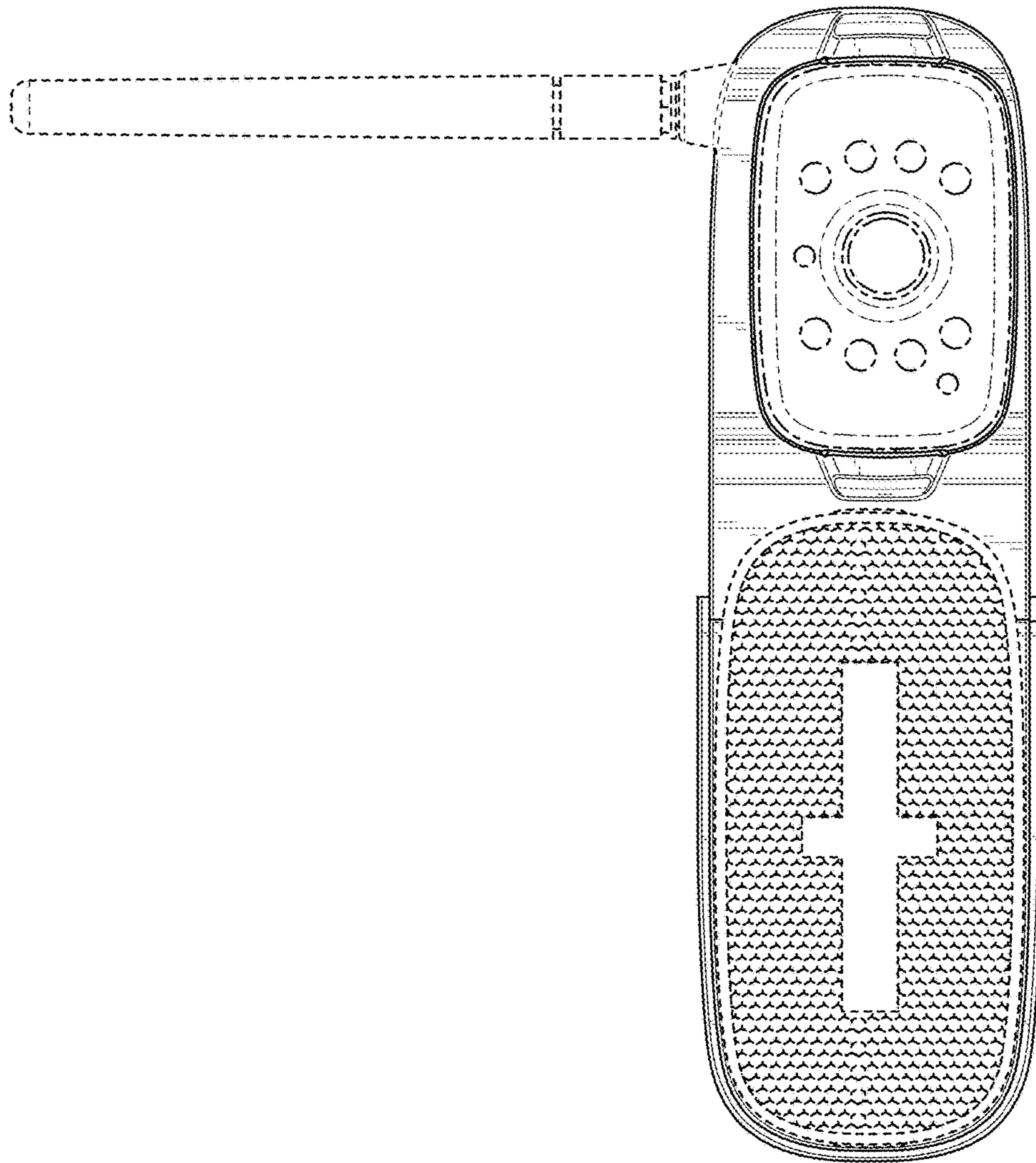


FIG. 8