



US00D858618S

(12) **United States Design Patent**
Roth

(10) **Patent No.:** **US D858,618 S**
(45) **Date of Patent:** **** Sep. 3, 2019**

- (54) **CAMERA MOUNT**
- (71) Applicant: **Gentex Corporation**, Zeeland, MI (US)
- (72) Inventor: **Mark R. Roth**, Grand Rapids, MI (US)
- (73) Assignee: **GENTEX CORPORATION**, Zeeland, MI (US)
- (**) Term: **15 Years**
- (21) Appl. No.: **29/589,438**
- (22) Filed: **Dec. 30, 2016**
- (51) **LOC (12) Cl.** **16-05**
- (52) **U.S. Cl.**
USPC **D16/242**; D16/203
- (58) **Field of Classification Search**
USPC D12/169, 172, 187, 188, 190–193, 196,
D12/233, 400, 415; D16/200, 202–203,
D16/208, 218–219
See application file for complete search history.

(56) **References Cited**

U.S. PATENT DOCUMENTS

D320,028 S *	9/1991	Sedighzadeh	D16/203
D416,032 S *	11/1999	Bakshi	D16/203
D556,233 S *	11/2007	Webb	D16/202
7,446,650 B2	11/2008	Scholfield et al.	
7,728,721 B2	6/2010	Schofield et al.	
7,965,336 B2	6/2011	Bingle et al.	
D739,887 S *	9/2015	Fish, Jr.	D16/202
D748,711 S *	2/2016	Roth	D16/218
D754,777 S *	4/2016	Fish, Jr.	D12/223
D757,146 S *	5/2016	Walter	D16/203

D812,669 S *	3/2018	Huang	D16/203
D817,382 S *	5/2018	Roth	D16/242
2015/0042874 A1*	2/2015	Takeda	B60R 11/04 348/374

* cited by examiner

Primary Examiner — Garth Rademaker

Assistant Examiner — Melvin L Davis

(74) *Attorney, Agent, or Firm* — Price Heneveld LLP;
Bradley D. Johnson

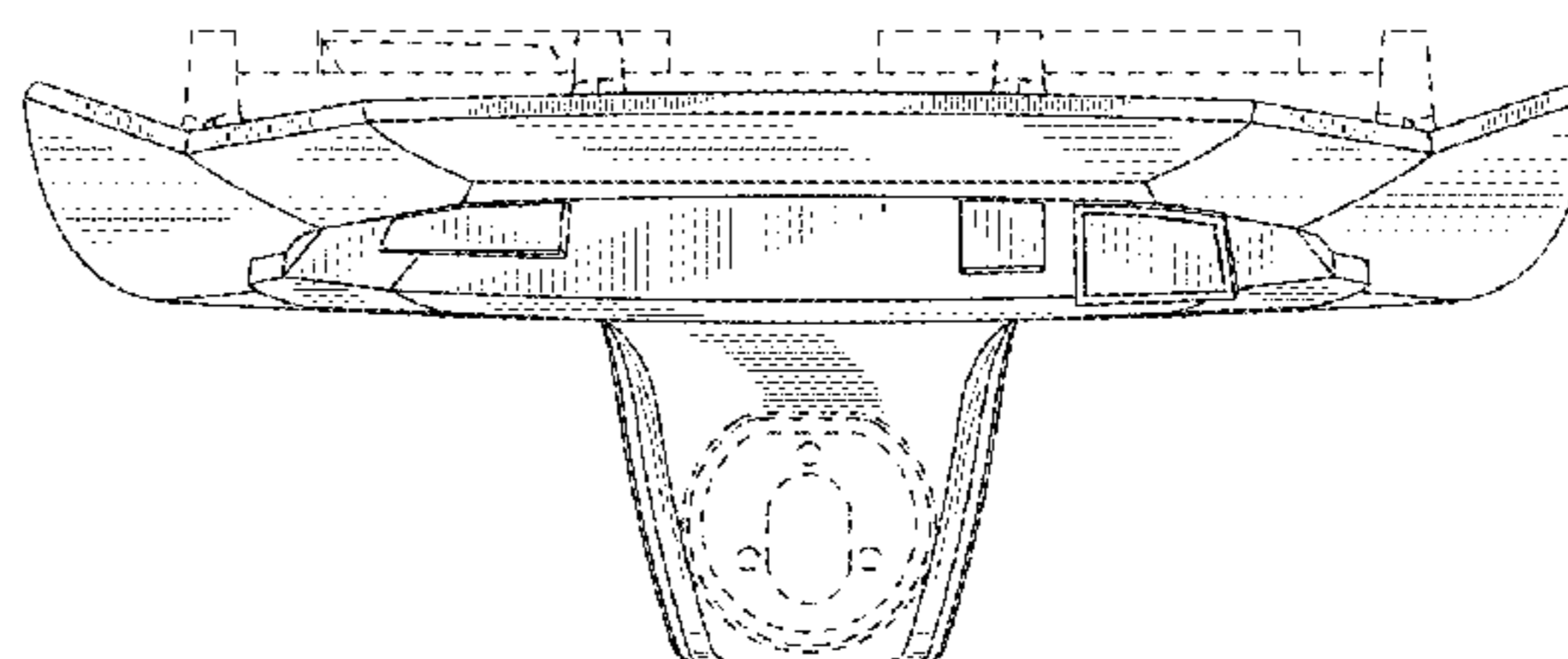
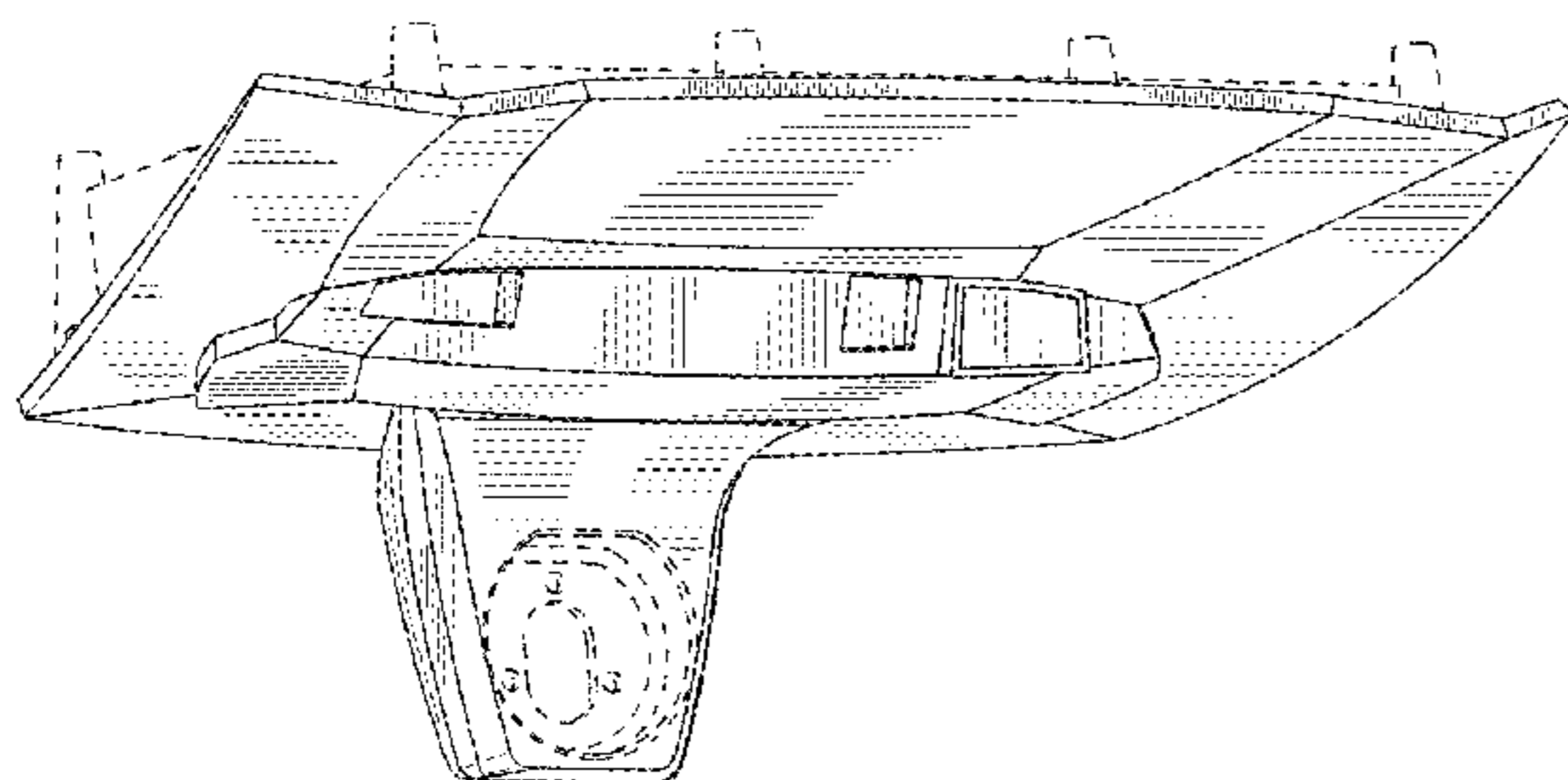
(57) **CLAIM**

I claim the ornamental design for a camera mount, as shown and described.

DESCRIPTION

FIG. 1 is a front perspective view of a camera mount of the present disclosure;
 FIG. 2 is a rear perspective view of the camera mount of FIG. 1;
 FIG. 3 is a front elevational view of the camera mount of FIG. 1;
 FIG. 4 is a rear elevational view of the camera mount of FIG. 1;
 FIG. 5 is a first side elevational view of the camera mount of FIG. 1;
 FIG. 6 is a second side elevational view of the camera mount of FIG. 1;
 FIG. 7 is a bottom plan view of the camera mount of FIG. 1; and,
 FIG. 8 is a top plan view of the camera mount of FIG. 1.
 The broken lines depict portions of the article that form no part of the claimed design.

1 Claim, 4 Drawing Sheets



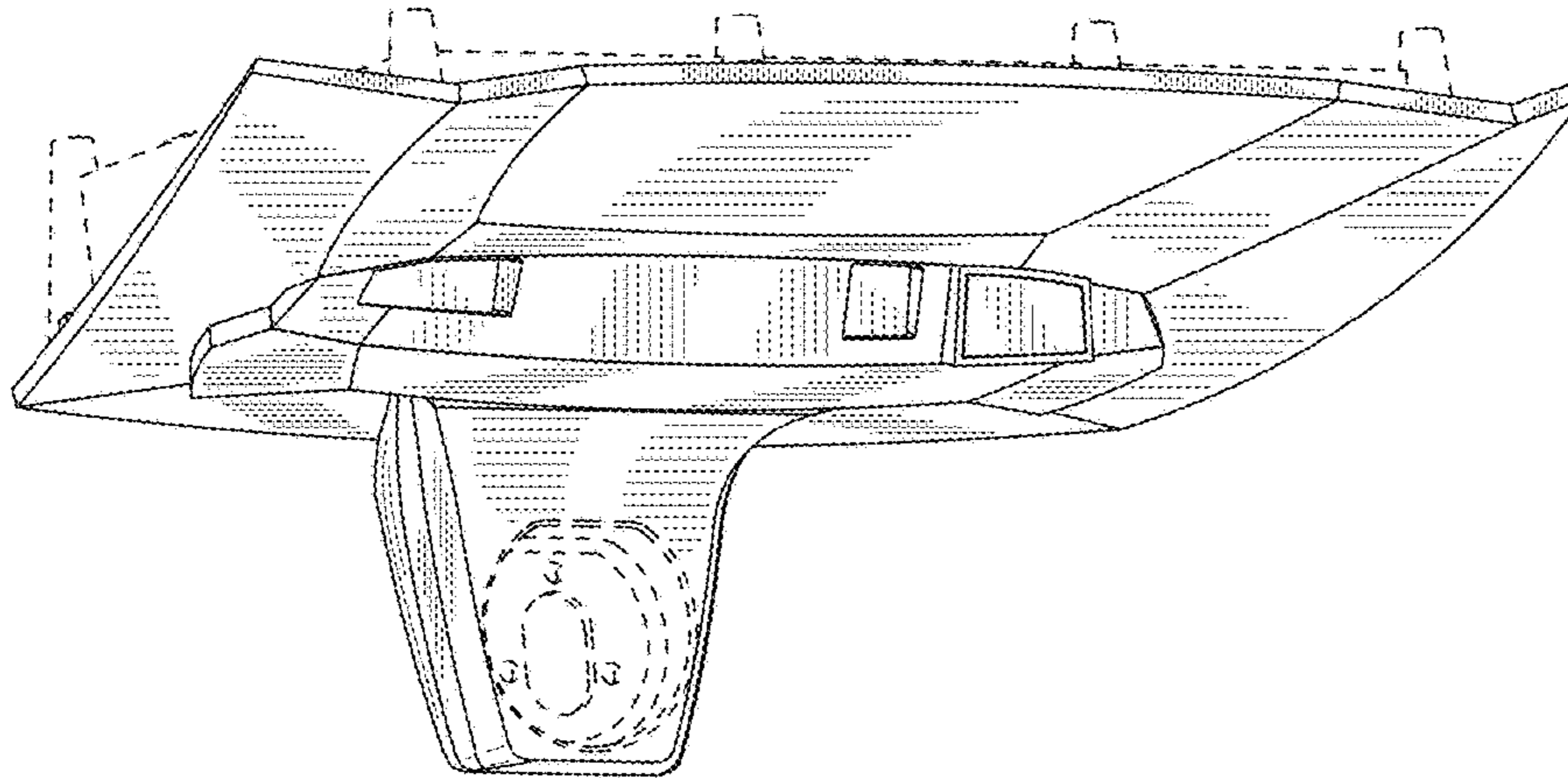


FIG. 1

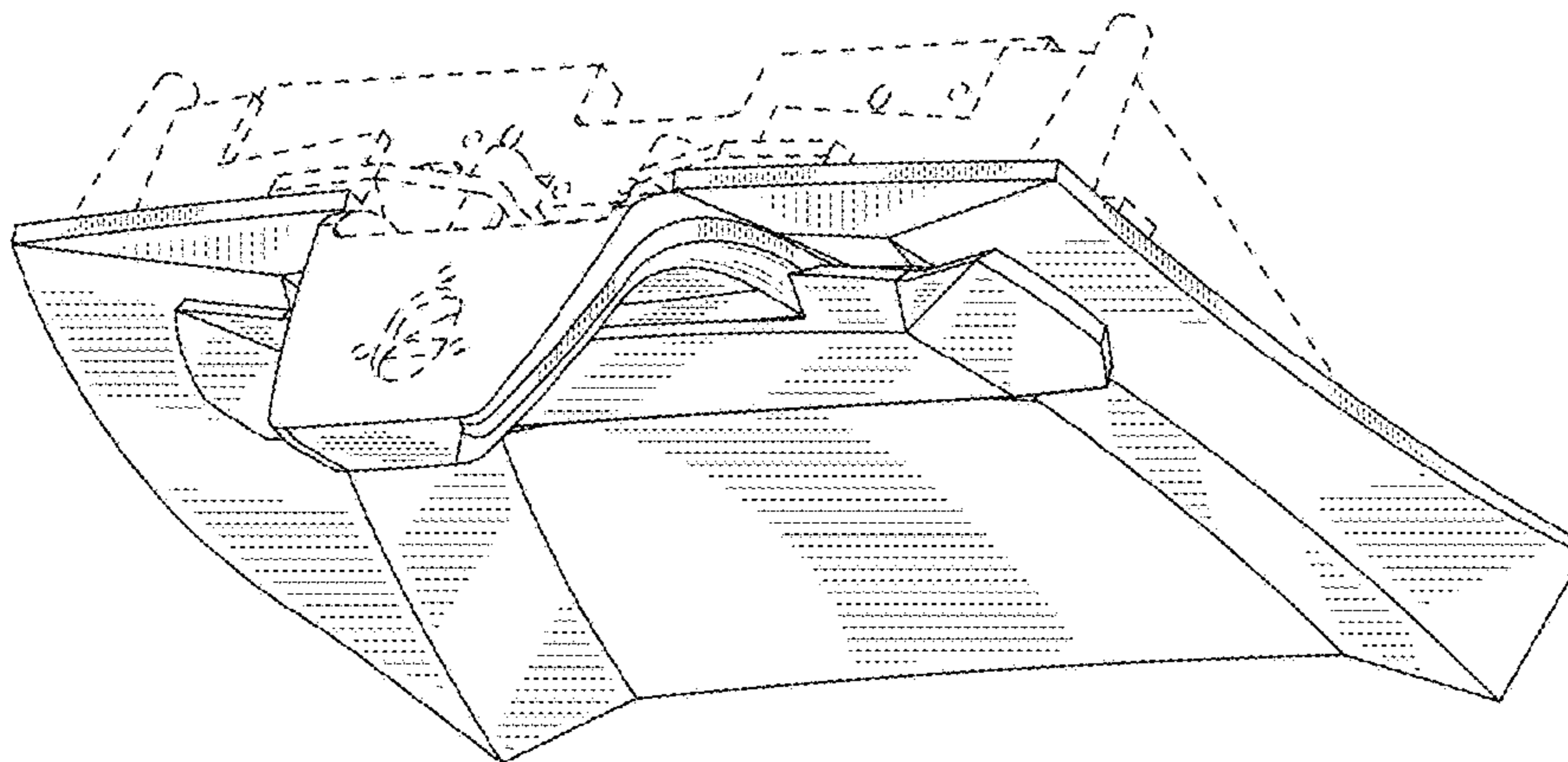


FIG. 2

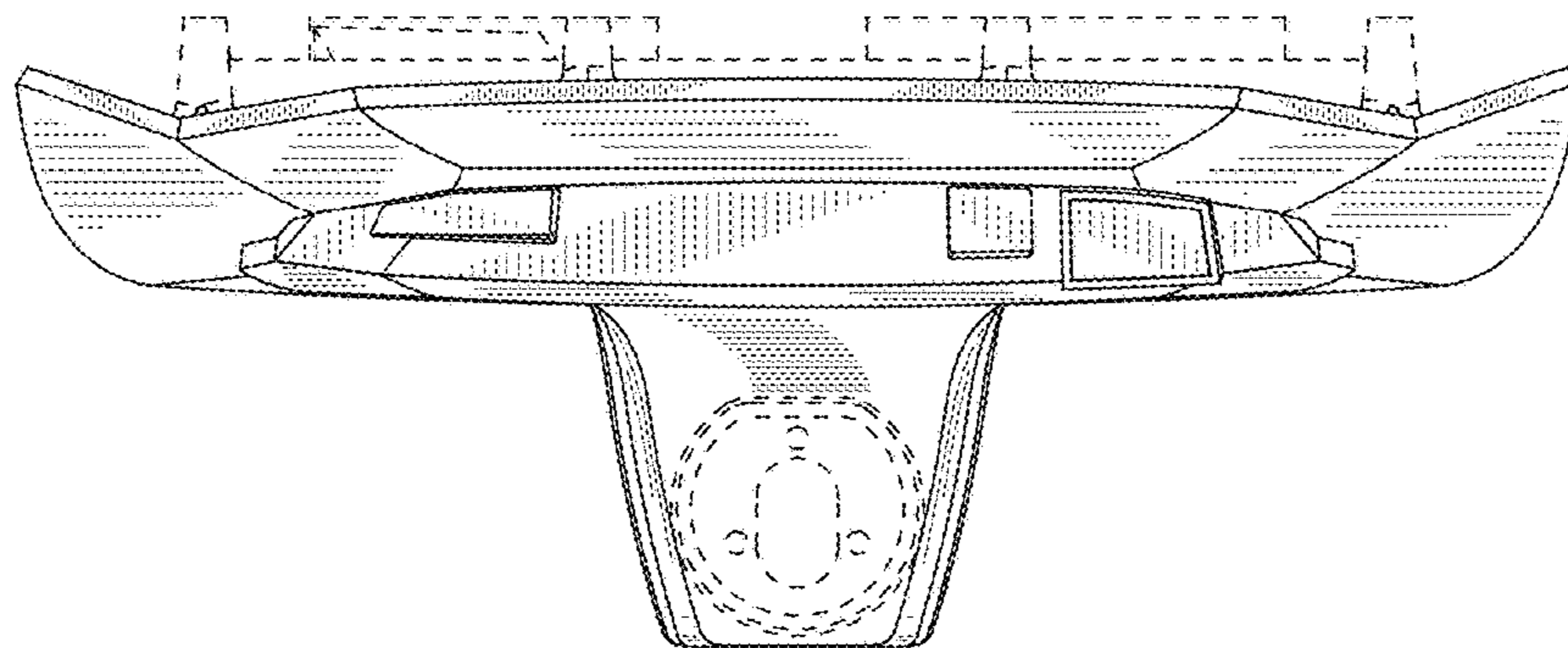


FIG. 3

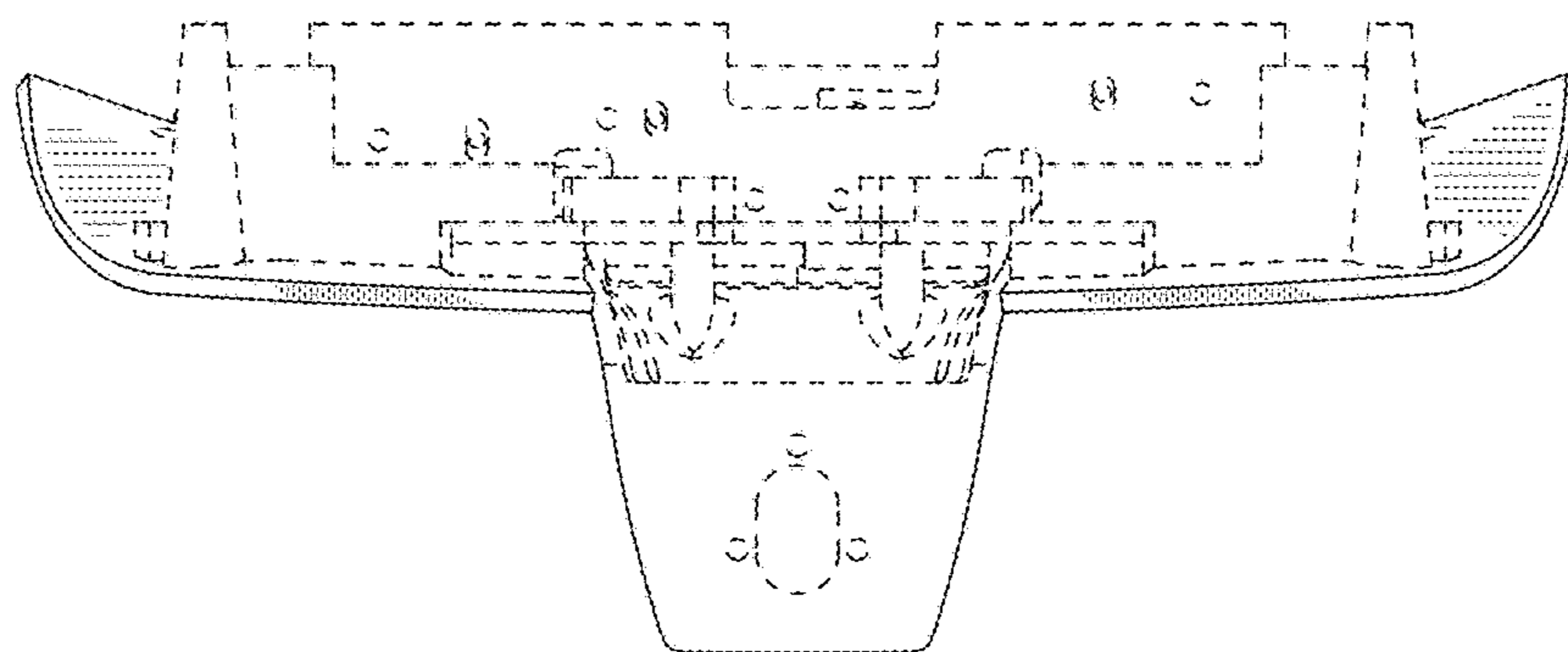


FIG. 4

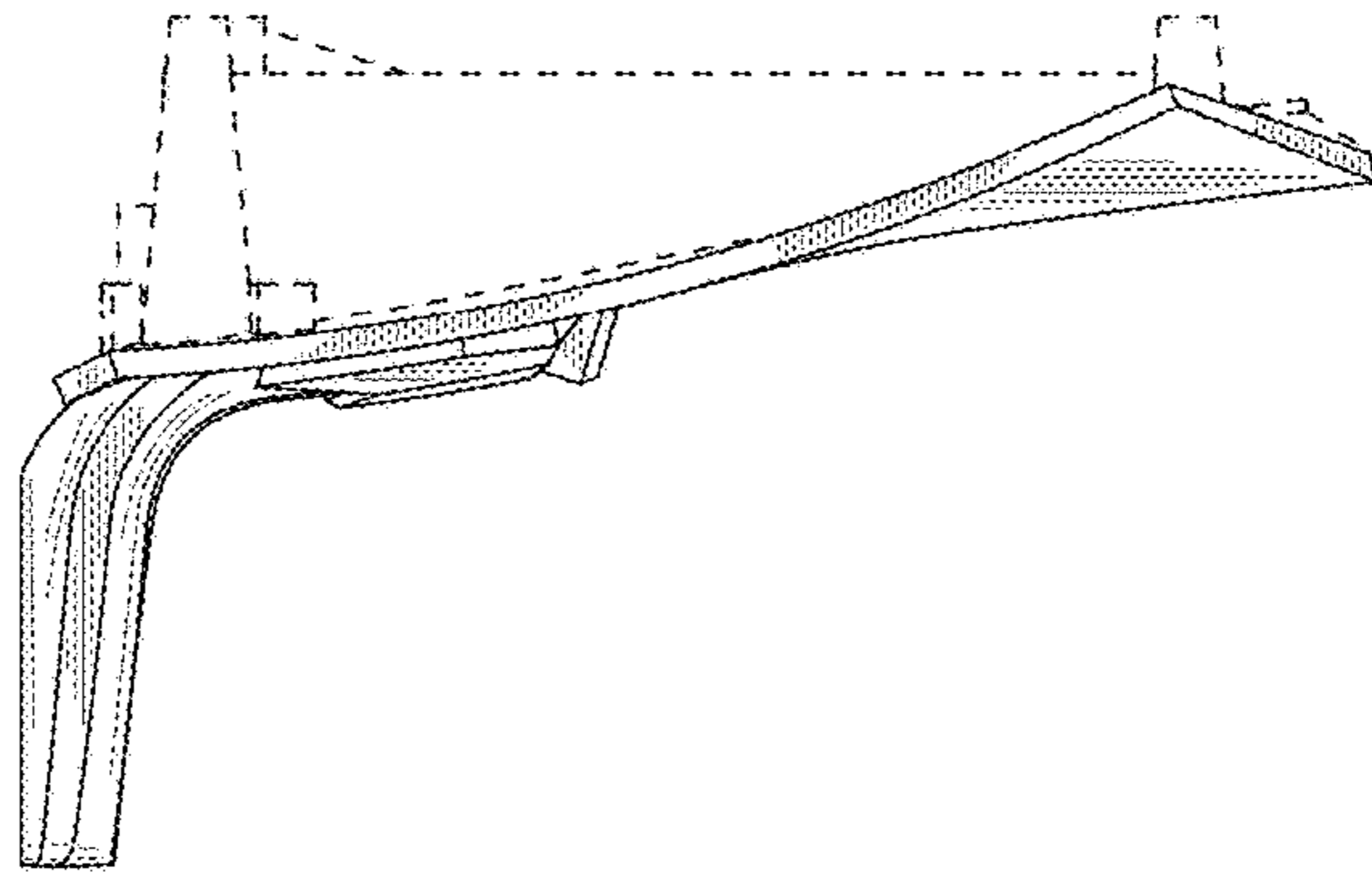


FIG. 5

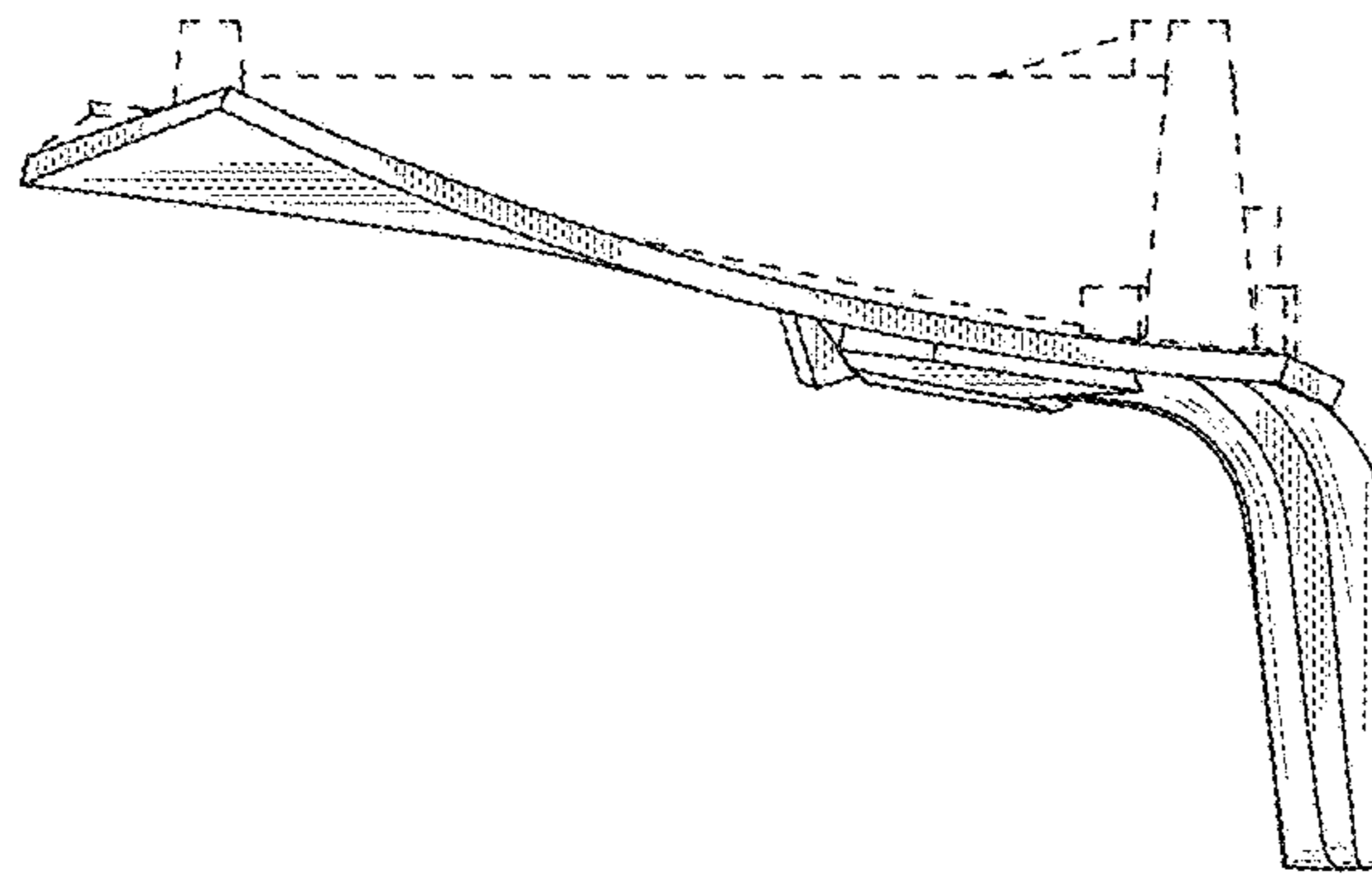


FIG. 6

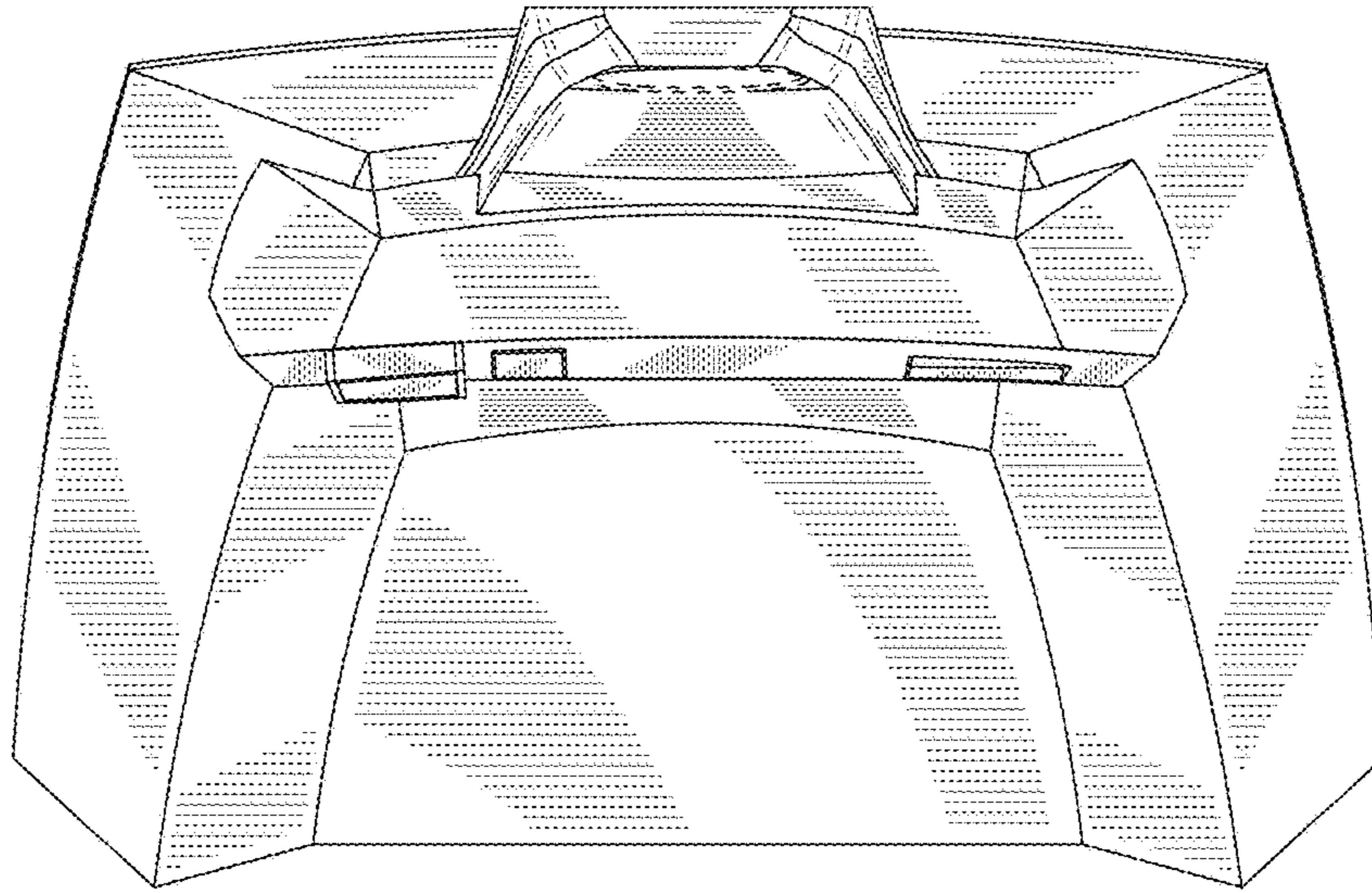


FIG. 7

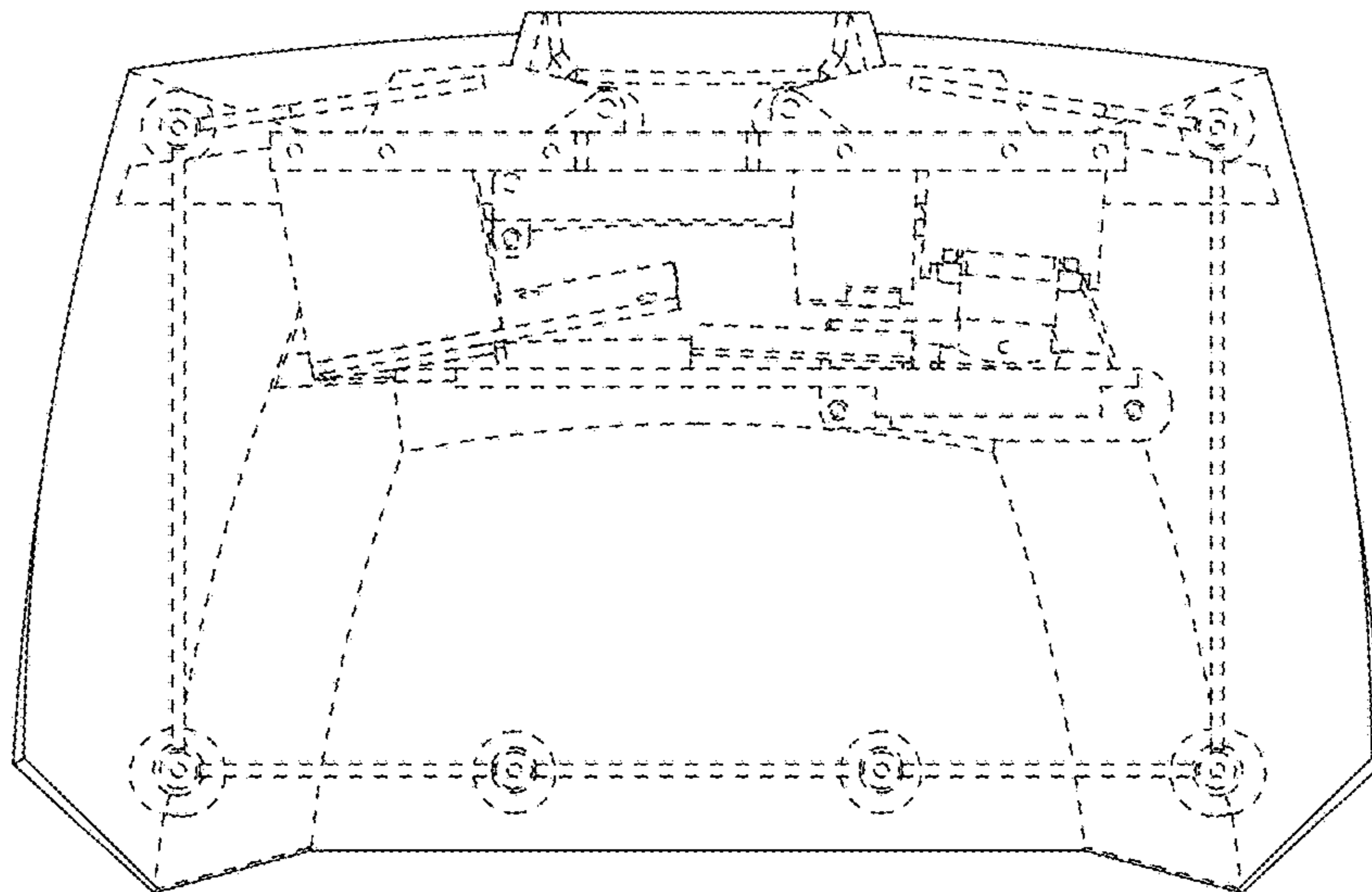


FIG. 8