



US00D858617S

(12) **United States Design Patent** (10) **Patent No.:** **US D858,617 S**
Fahlborg (45) **Date of Patent:** **** Sep. 3, 2019**

(54) **FLASH LIGHT DIFFUSER BOUNCE CARD**

(71) Applicant: **PROFOTO AKTIEBOLAG,**
Sundbyberg (SE)

(72) Inventor: **Philip Fahlborg,** Nacka (SE)

(73) Assignee: **PROFOTO AKTIEBOLAG,**
Sundbyberg (SE)

(**) Term: **15 Years**

(21) Appl. No.: **35/504,566**

(22) Filed: **Sep. 18, 2017**

(80) **Hague Agreement Data**

Int. Filing Date: **Sep. 18, 2017**

Int. Reg. No.: **DM/099899**

Int. Reg. Date: **Sep. 18, 2017**

Int. Reg. Pub. Date: **Mar. 9, 2018**

(51) **LOC (12) Cl.** **16-05**

(52) **U.S. Cl.**

USPC **D16/237**

(58) **Field of Classification Search**

USPC D16/237, 241; D26/11, 85, 91, 107, 108,
D26/118, 119, 139

CPC F21V 14/00; F21V 7/16; G03B 15/02;
G03B 15/06; G03B 2215/0582; G03B
2215/0589

See application file for complete search history.

(56) **References Cited**

U.S. PATENT DOCUMENTS

1,600,682 A * 9/1926 McCarley F21S 41/43
362/348
D155,290 S * 9/1949 Johnsen D26/139
2,518,505 A * 8/1950 Teele, Jr. B60Q 1/14
362/343
D398,415 S * 9/1998 Markee D26/118
5,800,038 A * 9/1998 McCool B62J 6/00
362/255

D432,693 S * 10/2000 Wachter F21V 7/10
D26/118
D432,708 S * 10/2000 Wachter D26/118
D456,557 S * 4/2002 Chen B62J 6/00
D26/118
6,502,965 B1 * 1/2003 Bradford F21V 7/10
362/277
D544,137 S * 6/2007 Montefusco D26/118
D664,284 S * 7/2012 Komarov D26/118
D669,628 S * 10/2012 Huang D26/107
D696,334 S * 12/2013 Li B60Q 1/14
D16/237
D696,335 S * 12/2013 Li D16/237
D708,656 S * 7/2014 Shapir D16/238
(Continued)

OTHER PUBLICATIONS

Bhphotovideo.com: Profoto Bounce Card for A1 Flash. Earliest date—Jun. 25, 2018; 4 pages. Found online Oct. 29, 2018 at https://www.bhphotovideo.com/c/product/1357069-REG/profoto_101223_a1_bounce_card.html.*

(Continued)

Primary Examiner — Robert M. Spear

(74) *Attorney, Agent, or Firm* — Cowan Liebowitz & Latman, P.C.

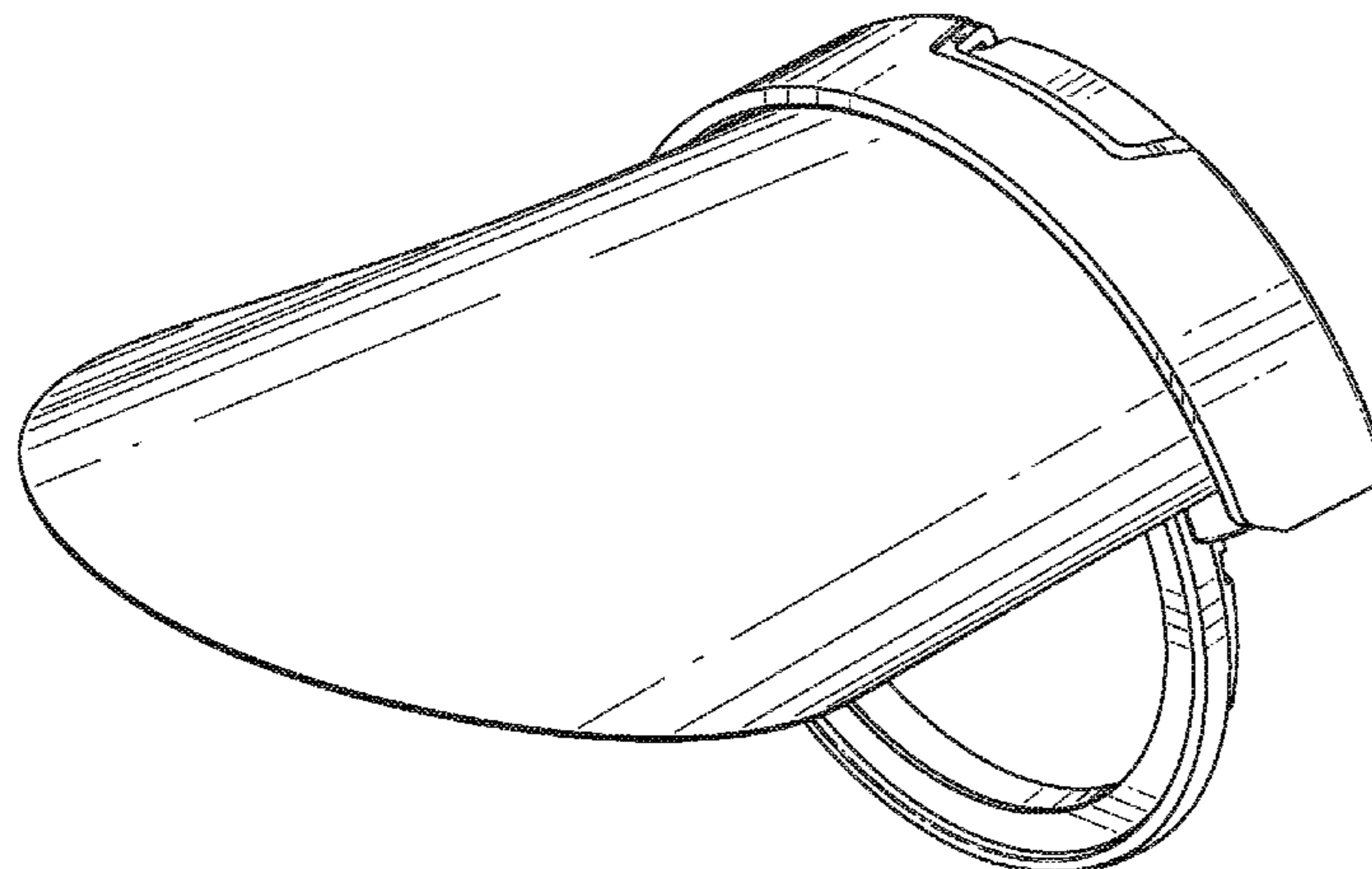
(57) **CLAIM**

The ornamental design for a flash light diffuser bounce card, as shown and described.

DESCRIPTION

1. Flash light diffuser bounce card
FIG. 1.1—Perspective;
FIG. 1.2—Perspective (from below);
FIG. 1.3—Front;
FIG. 1.4—Back;
FIG. 1.5—Left;
FIG. 1.6—Right;
FIG. 1.7—Bottom;
FIG. 1.8—Top.

1 Claim, 8 Drawing Sheets



(56)

References Cited

U.S. PATENT DOCUMENTS

9,004,703 B2 * 4/2015 Li F21V 7/16
362/16
D823,520 S * 7/2018 Guercio D26/85

OTHER PUBLICATIONS

Profoto.com: Bounce Card. Undated; 5 pages. Found online Dec. 19, 2018 at <https://profoto.com/in/products/light-shaping-tools/for-profoto-a1/bounce-card>.*

* cited by examiner

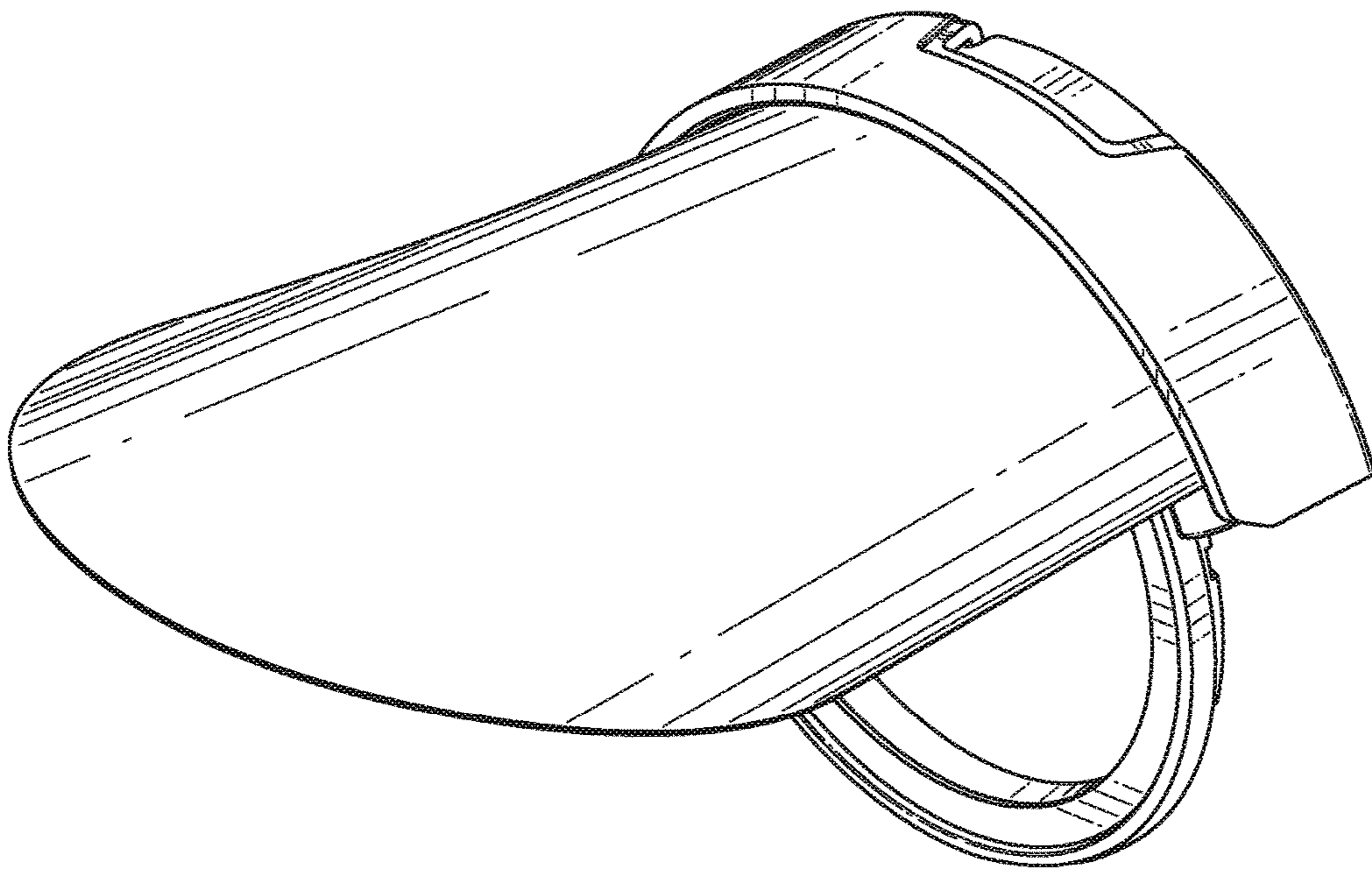


FIG. 1.1

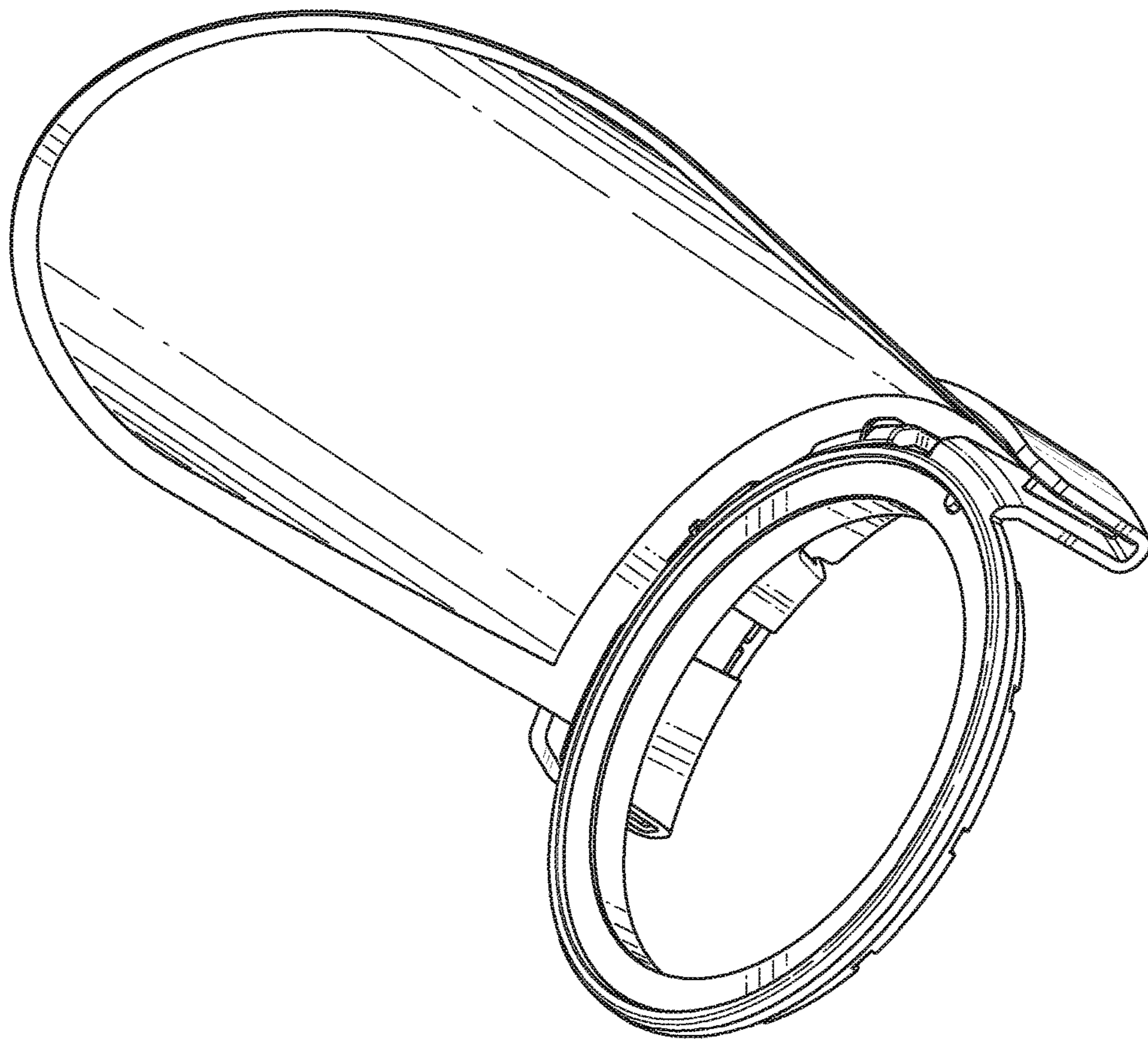


FIG. 1.2

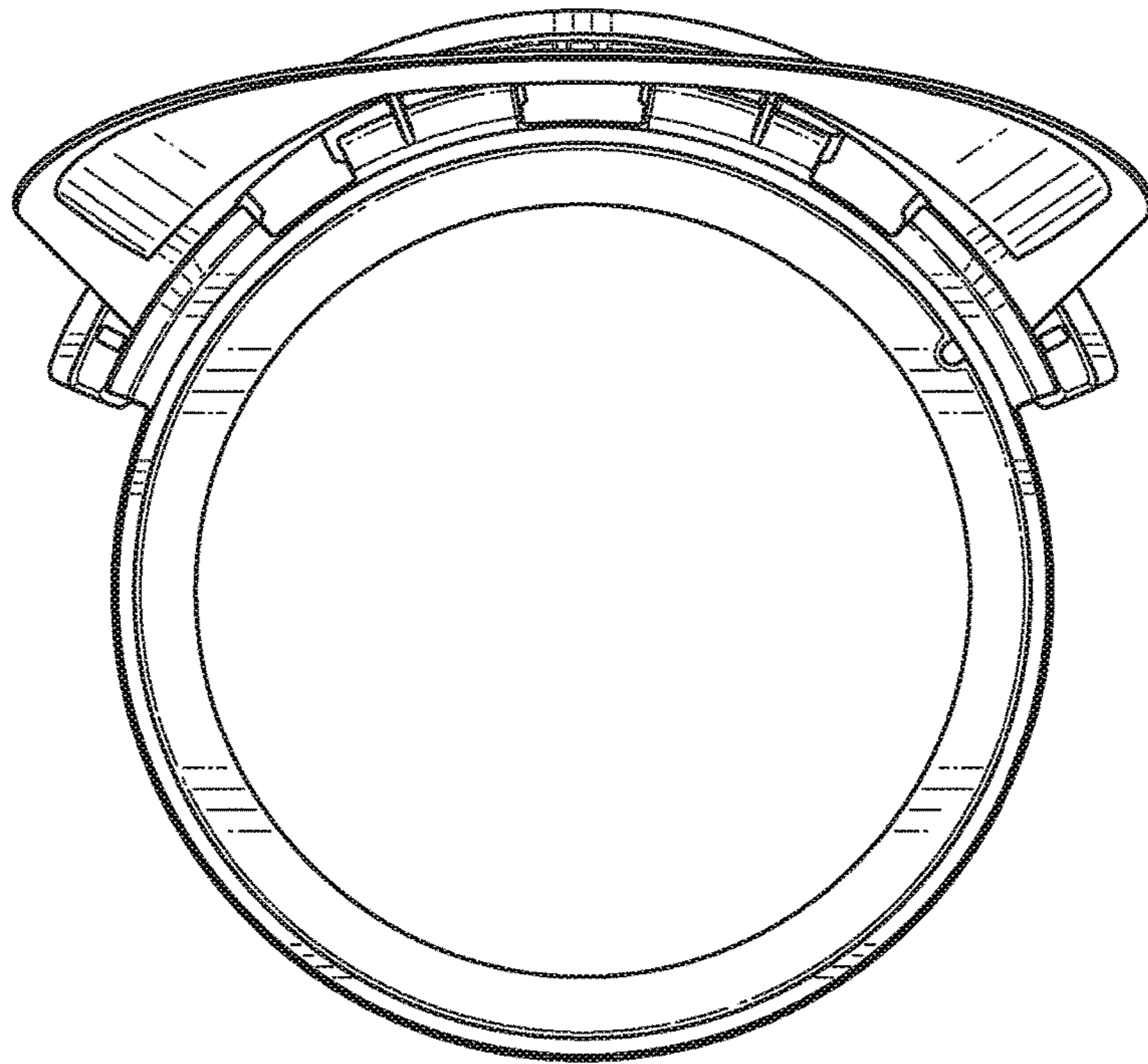


FIG. 1.3

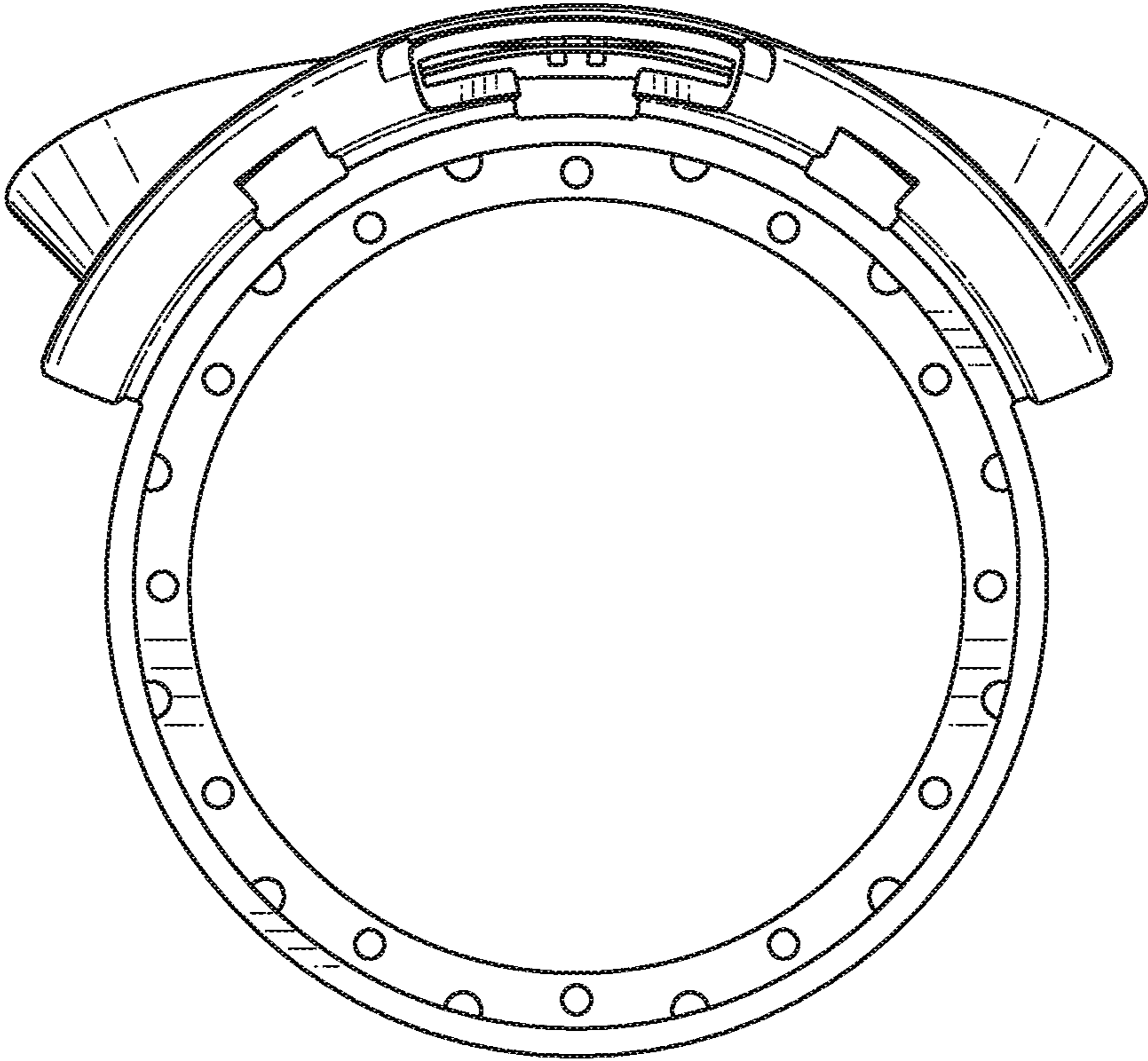


FIG. 1.4

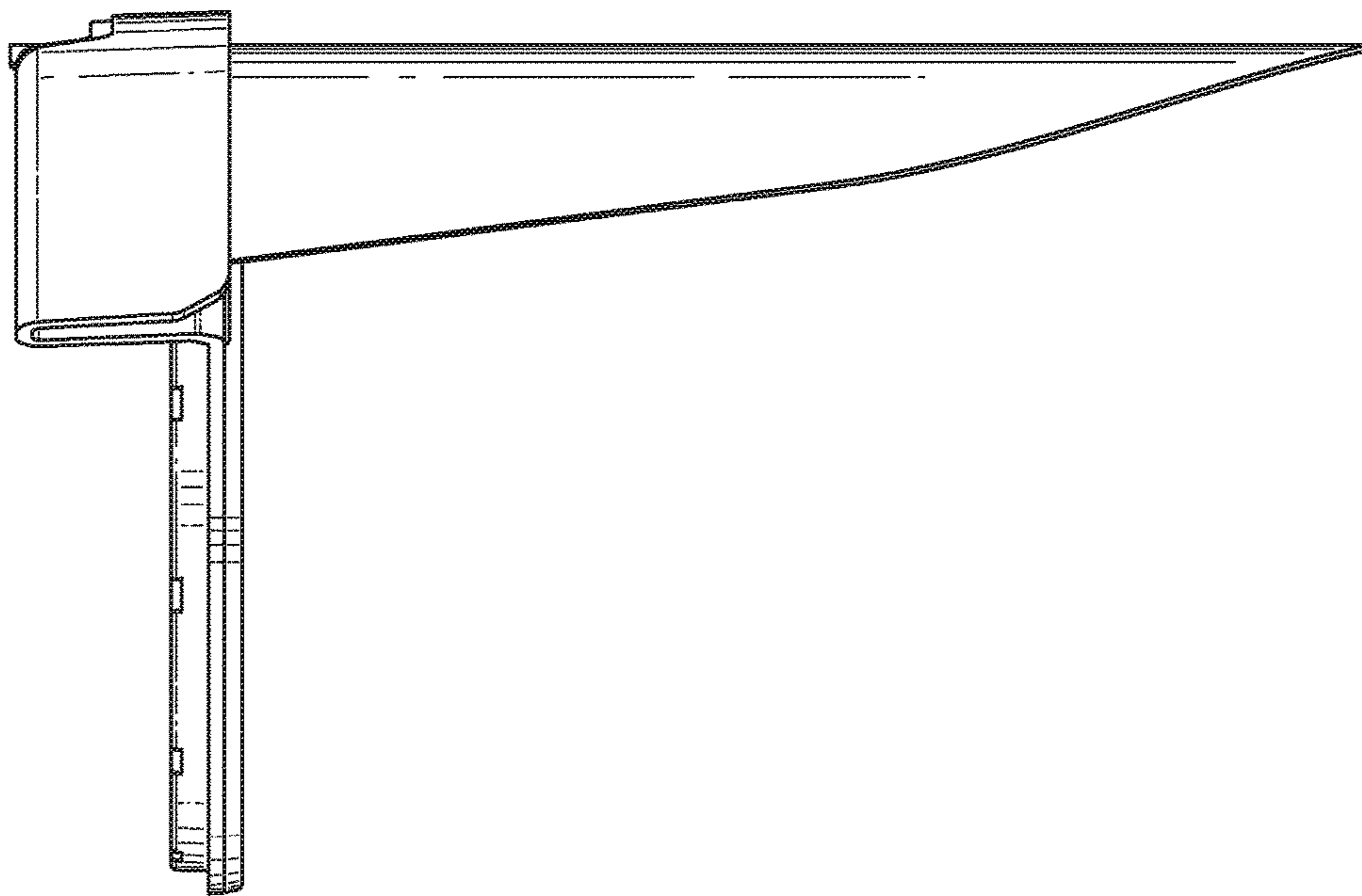


FIG. 1.5

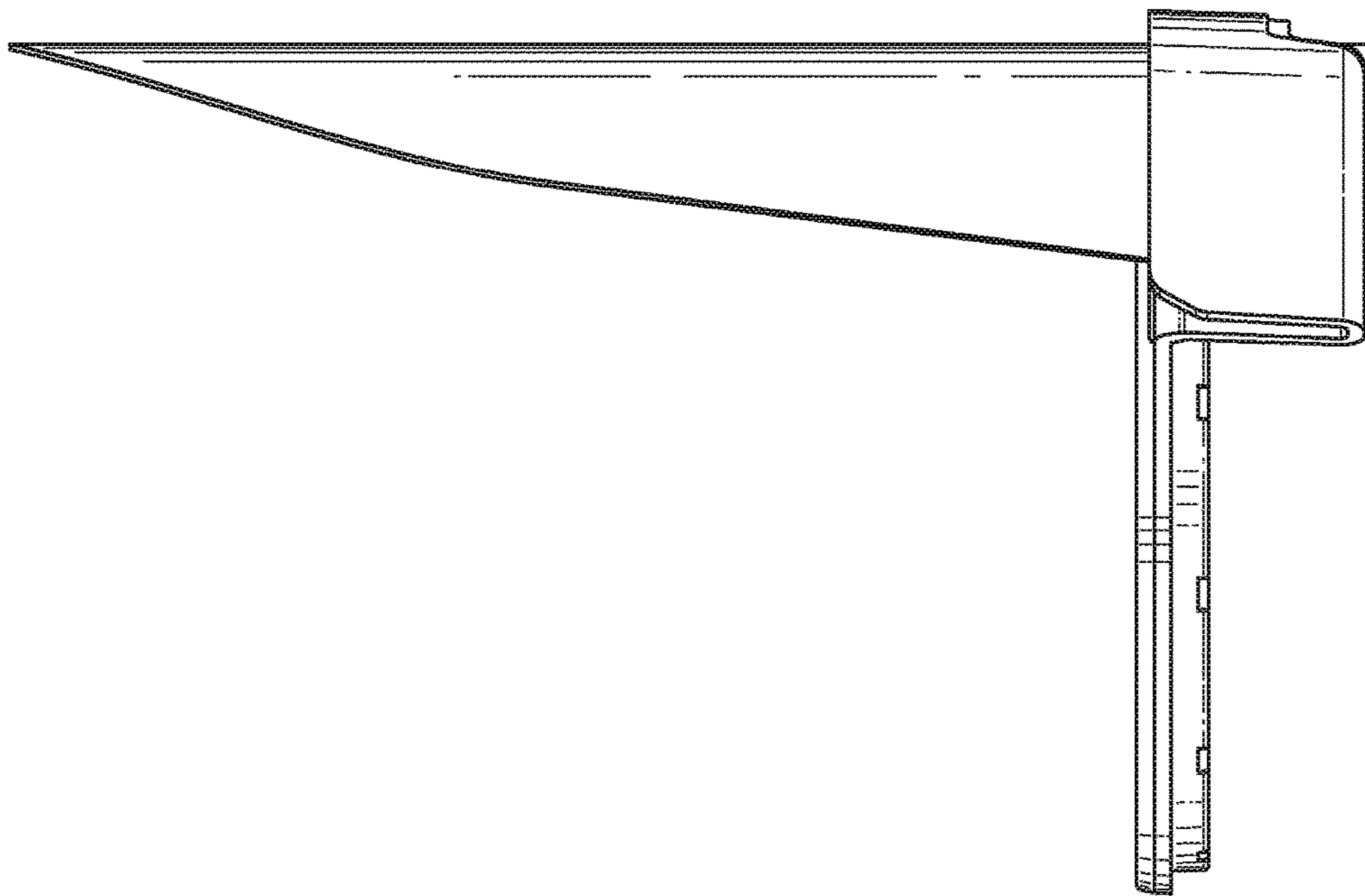


FIG. 1.6

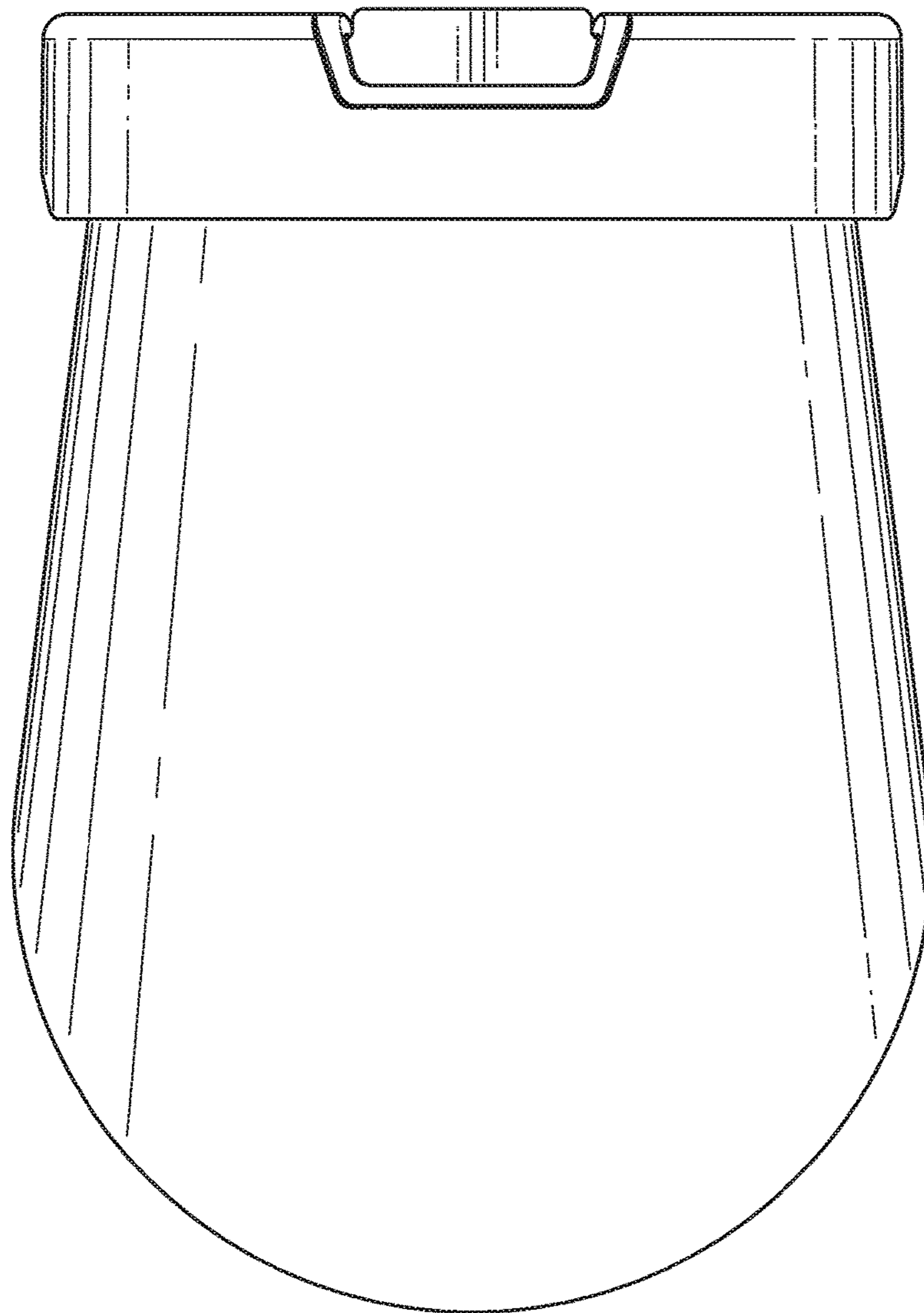


FIG. 1.7

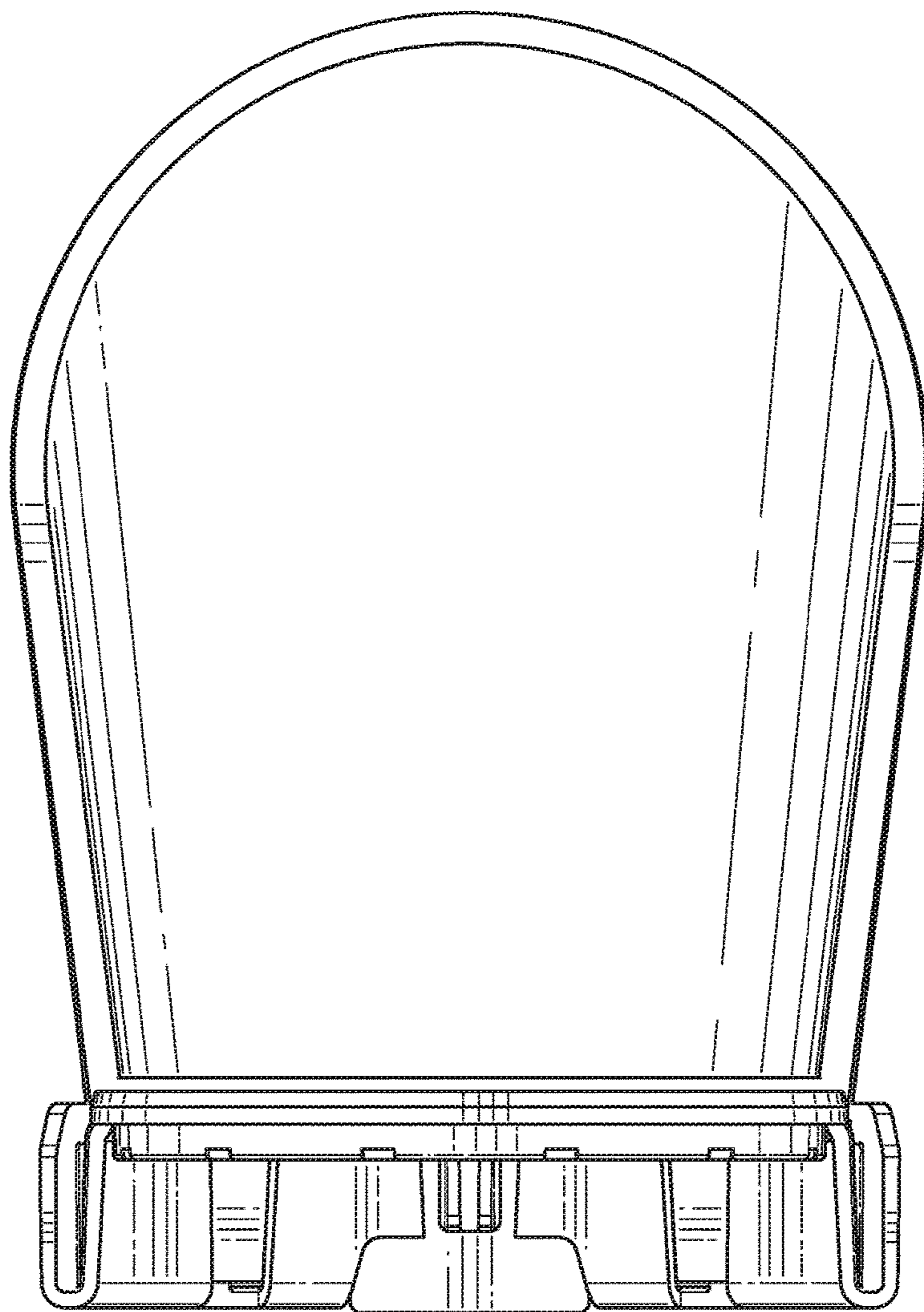


FIG. 1.8