



US00D858616S

(12) **United States Design Patent**  
**Saito et al.**

(10) **Patent No.:** **US D858,616 S**

(45) **Date of Patent:** **\*\* Sep. 3, 2019**

(54) **PROJECTOR**

(71) Applicant: **Maxell, Ltd.**, Kyoto (JP)

(72) Inventors: **Takeshi Saito**, Kyoto (JP); **Naoto Kubota**, Kyoto (JP)

(73) Assignee: **Maxell, Ltd.**, Kyoto (JP)

(\*\*) Term: **15 Years**

(21) Appl. No.: **29/648,670**

(22) Filed: **May 23, 2018**

(30) **Foreign Application Priority Data**

Nov. 28, 2017 (JP) ..... 2017/026434

(51) **LOC (12) Cl.** ..... **16-02**

(52) **U.S. Cl.**  
USPC ..... **D16/230**

(58) **Field of Classification Search**  
USPC ..... D16/221, 225, 230–231, 234; D21/514;  
353/119

CPC .... G03B 21/145; G03B 21/14; G03B 21/142;  
G03B 21/00; G03B 21/001; G03B  
21/003; G03B 21/12; G03B 21/16

See application file for complete search history.

(56) **References Cited**

**U.S. PATENT DOCUMENTS**

D623,678 S \* 9/2010 Nakayama ..... D16/225  
D647,941 S \* 11/2011 Yuyama ..... D16/225  
D663,760 S \* 7/2012 Miyauchi ..... D16/225  
D681,091 S \* 4/2013 Morita ..... D16/225  
8,454,174 B2 \* 6/2013 Nakano ..... G03B 21/14  
353/119  
D691,649 S \* 10/2013 Takeda ..... D16/225

9,086,617 B2 \* 7/2015 Koyama ..... G03B 21/16  
D744,576 S \* 12/2015 Masuda ..... D16/225  
D801,412 S \* 10/2017 Inoue ..... D16/230  
2011/0279790 A1 \* 11/2011 Kotani ..... G03B 21/14  
353/85  
2011/0279792 A1 \* 11/2011 Suzuki ..... G03B 21/145  
353/119

**FOREIGN PATENT DOCUMENTS**

CN 304806699 \* 5/2018

\* cited by examiner

*Primary Examiner* — Wan Laymon

(74) *Attorney, Agent, or Firm* — Mattingly & Malur, PC

(57) **CLAIM**

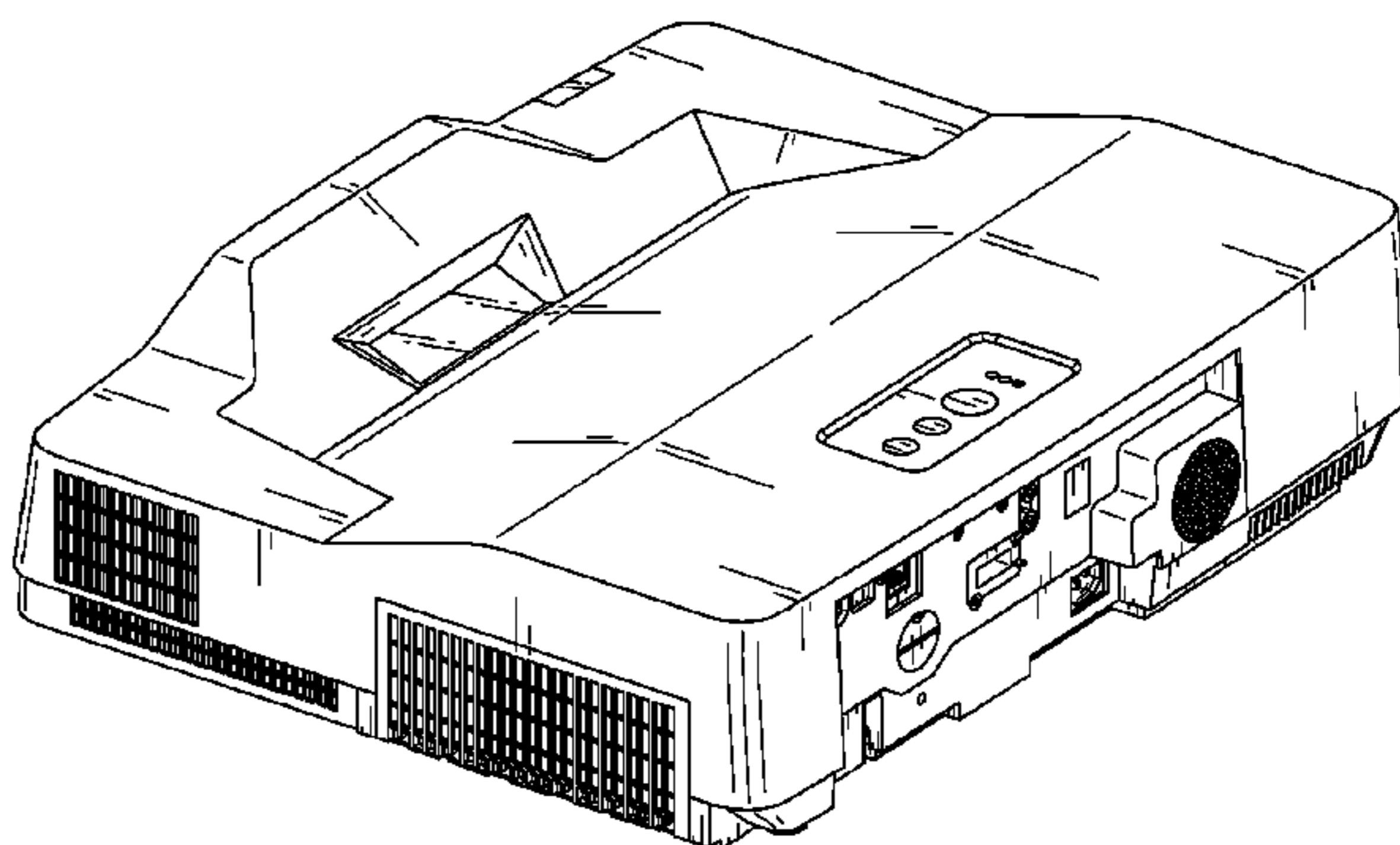
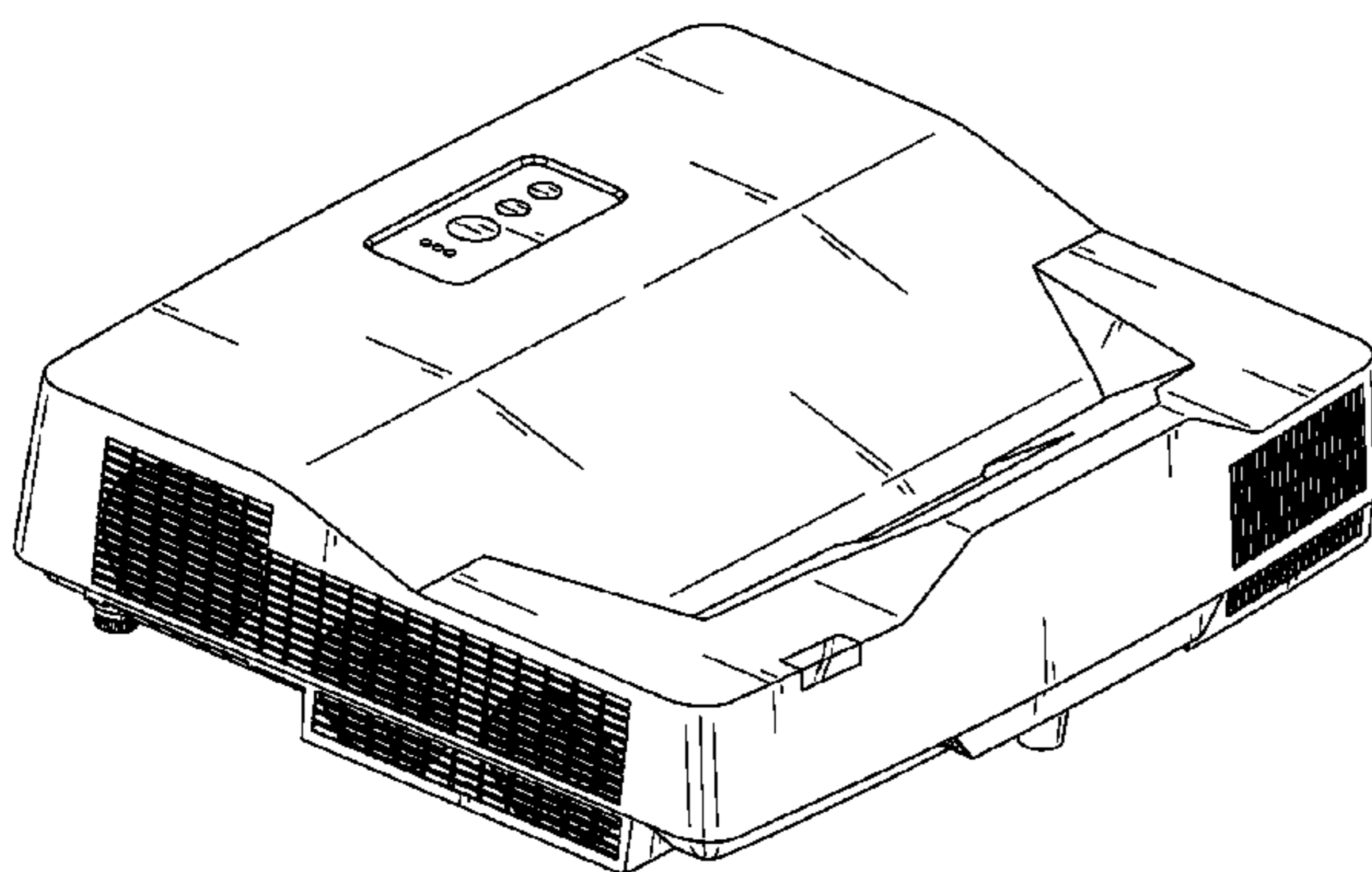
The ornamental design for a projector, as shown and described.

**DESCRIPTION**

FIG. 1 is a front, top and left side perspective view of a projector showing our new design;  
FIG. 2 is a rear, top and right side perspective view thereof;  
FIG. 3 is a front elevational view thereof;  
FIG. 4 is a top plan view thereof;  
FIG. 5 is a right side elevational view thereof;  
FIG. 6 is a left side elevational view thereof;  
FIG. 7 is a rear elevational view thereof;  
FIG. 8 is a bottom plan view thereof; and,  
FIG. 9 is a cross-sectional view take along line 9-9 in FIG. 3.

The broken lines shown in the drawings represent portions of the projector that form no part of the claimed design.

**1 Claim, 4 Drawing Sheets**



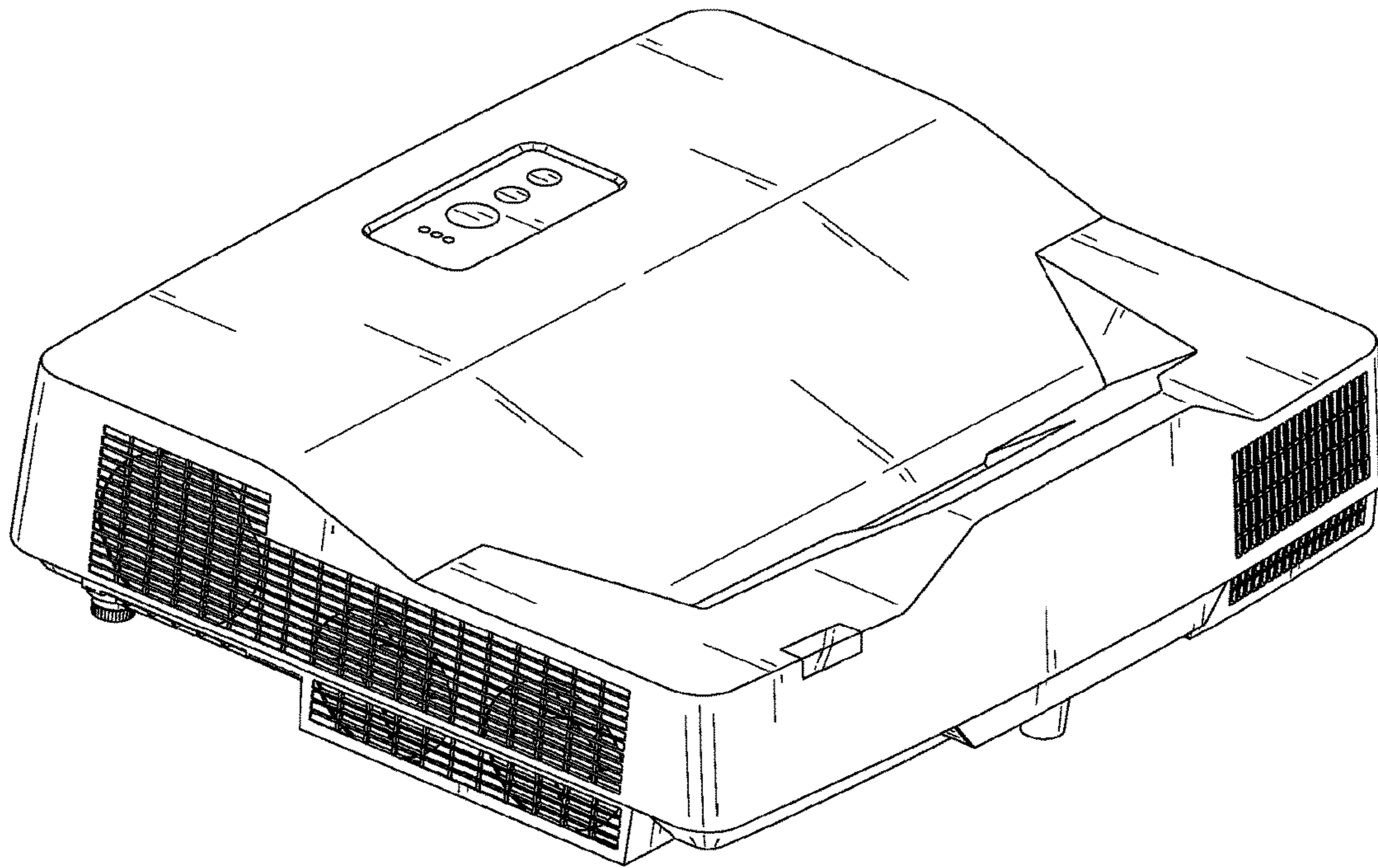


FIG. 1

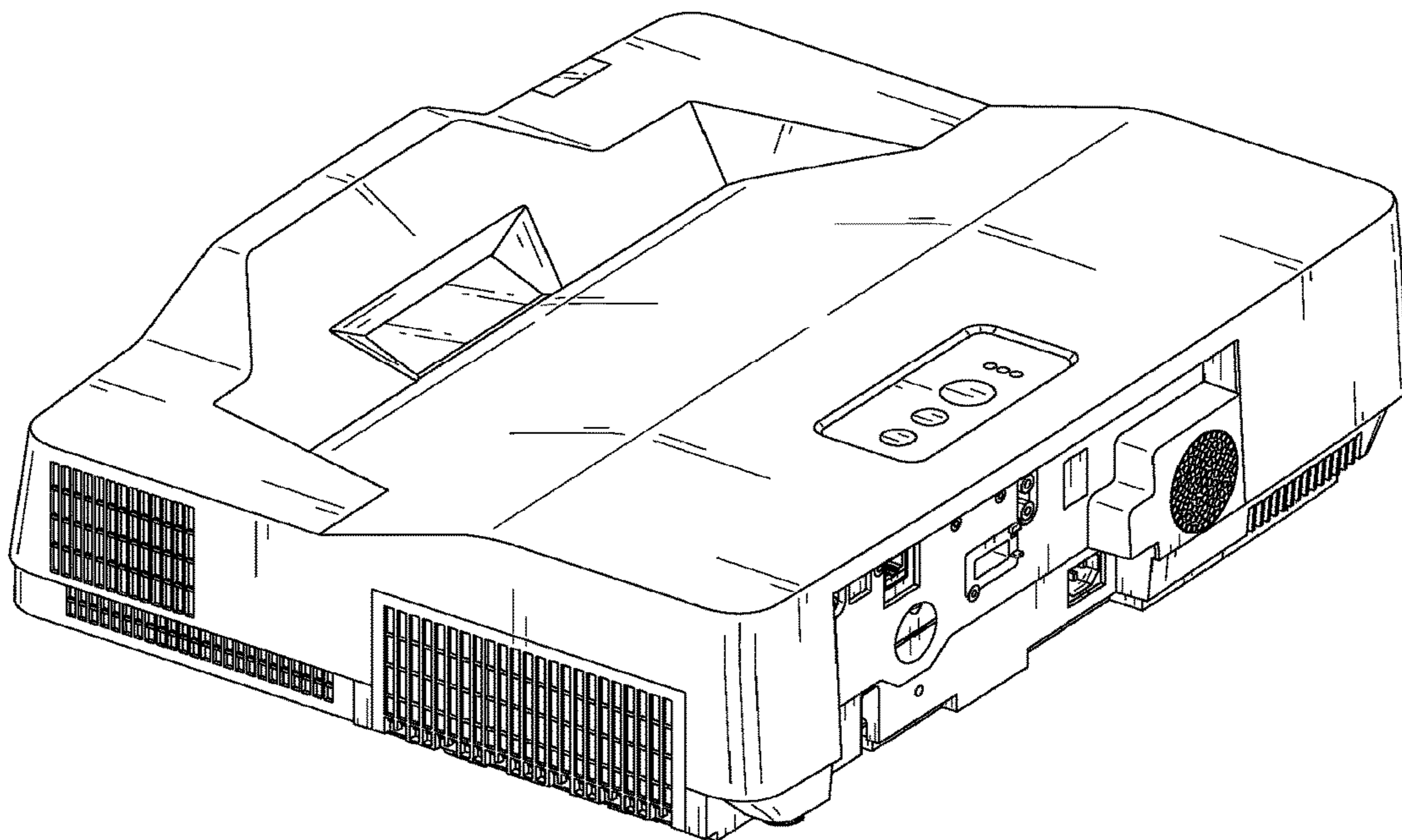


FIG. 2

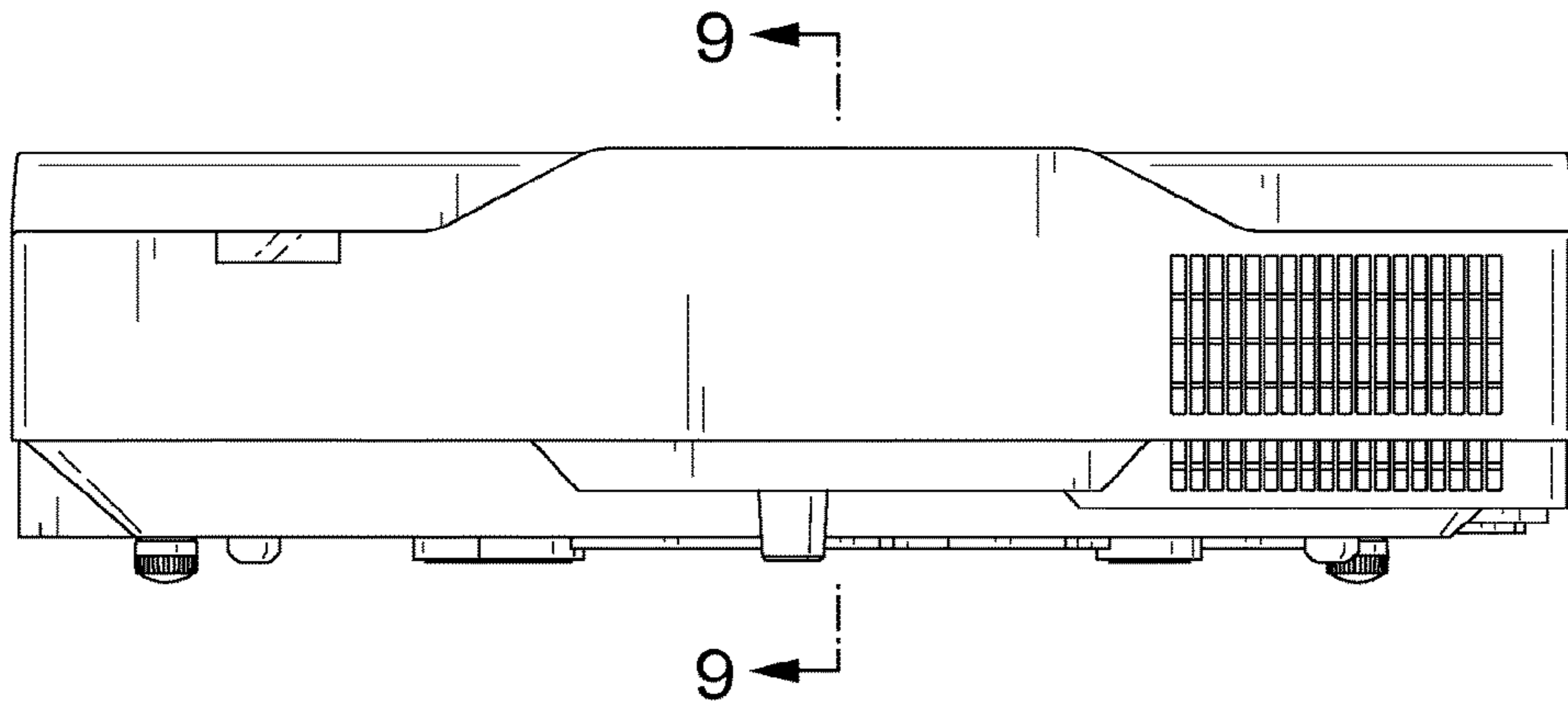


FIG. 3

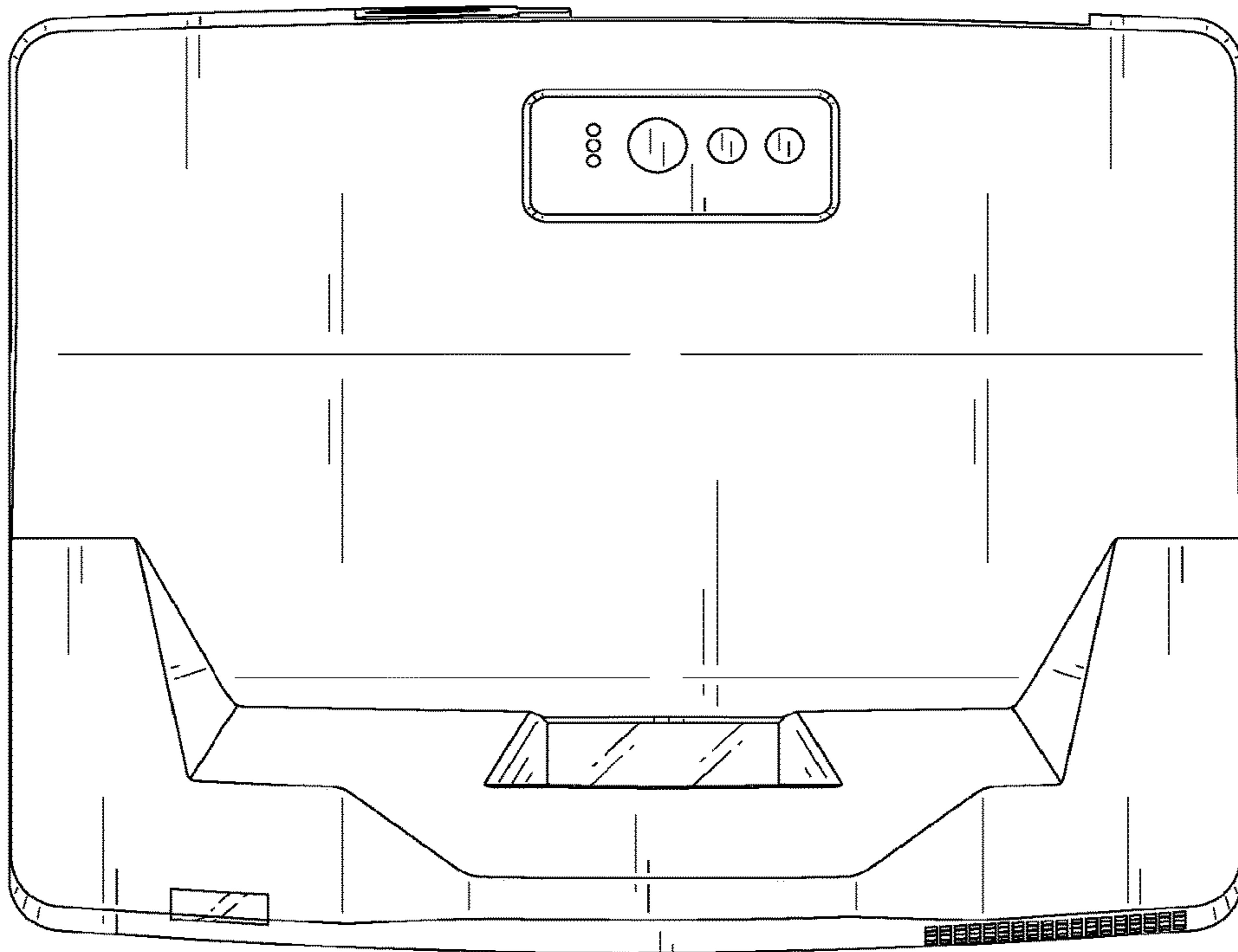


FIG. 4

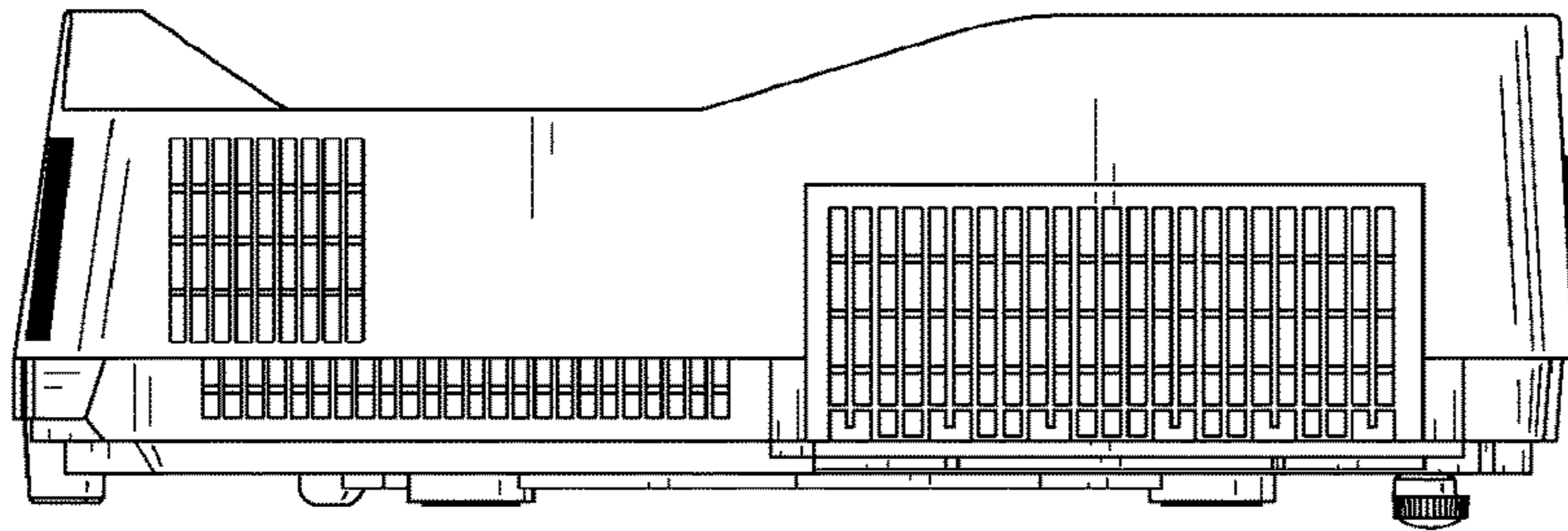


FIG. 5

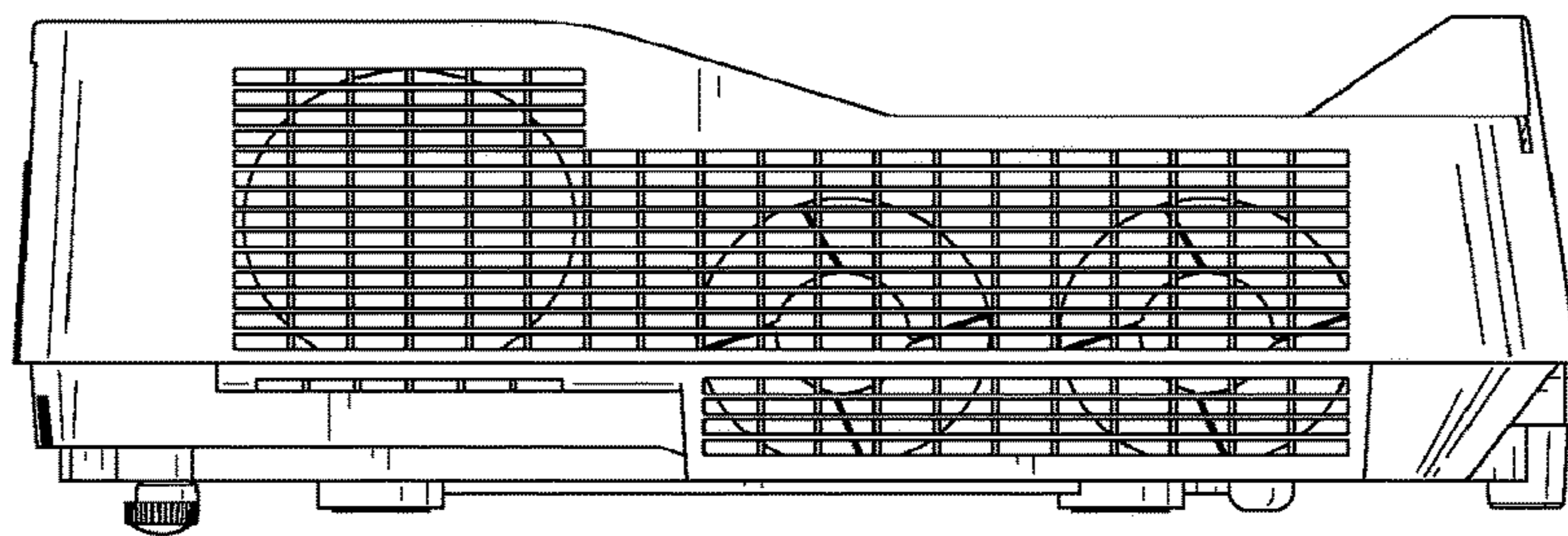


FIG. 6

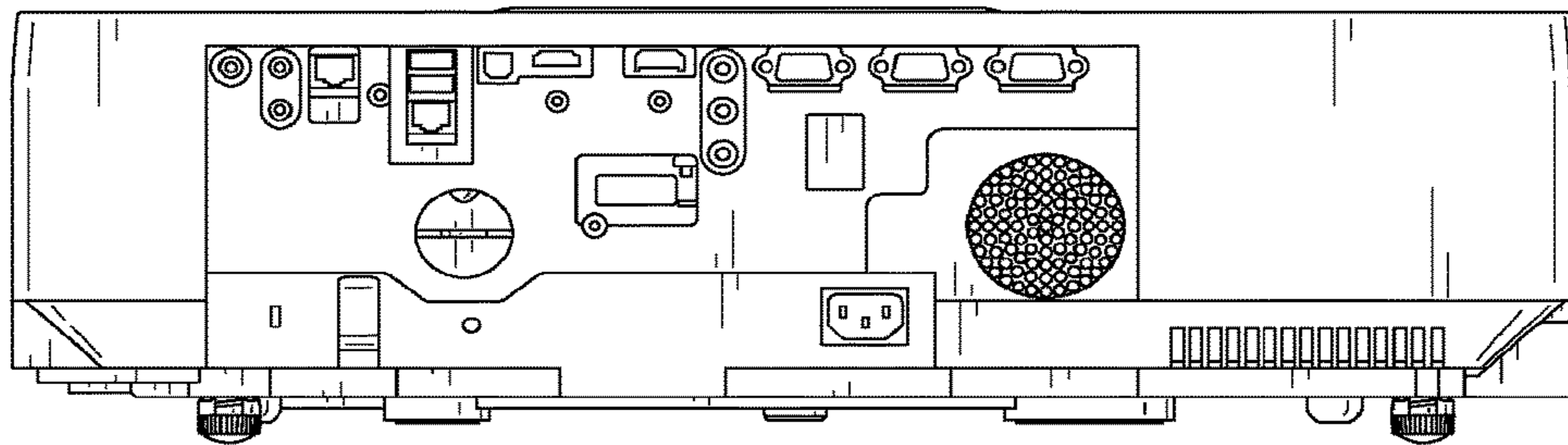
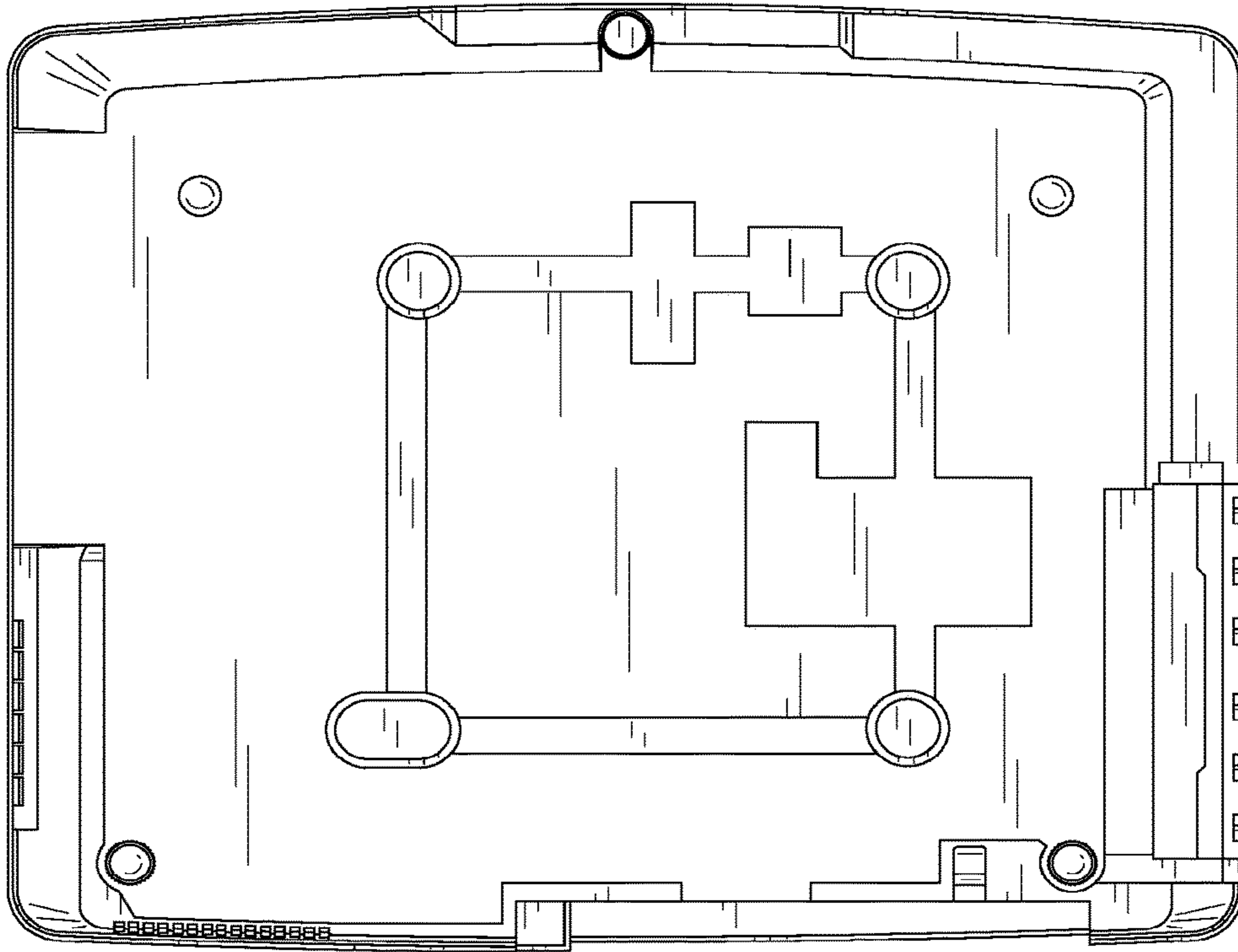
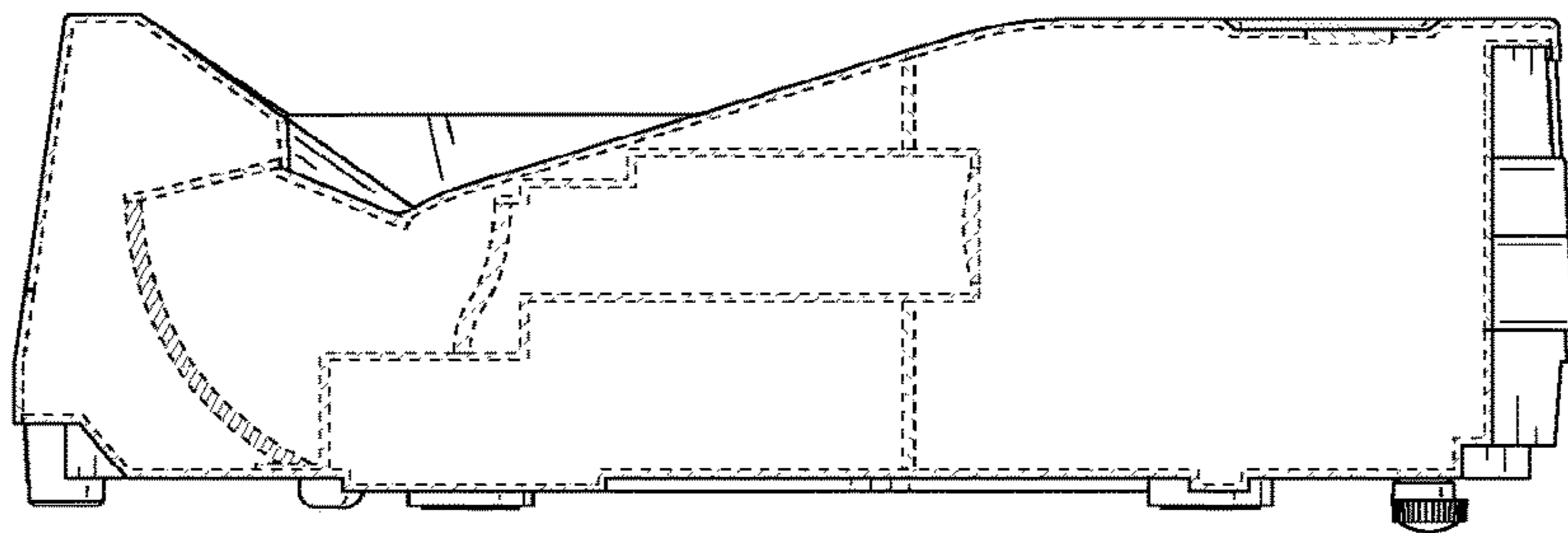


FIG. 7



*FIG. 8*



*FIG. 9*