



US00D858613S

(12) **United States Design Patent** (10) **Patent No.:** **US D858,613 S**
Cho et al. (45) **Date of Patent:** **** Sep. 3, 2019**

(54) **BEAM PROJECTOR**

(71) Applicant: **LG ELECTRONICS INC.**, Seoul (KR)
 (72) Inventors: **Yoonyoung Cho**, Seoul (KR); **Gangho Woo**, Seoul (KR); **Eunbong Lee**, Seoul (KR)
 (73) Assignee: **LG ELECTRONICS INC.**, Seoul (KR)

(**) Term: **15 Years**

(21) Appl. No.: **35/505,676**

(22) Filed: **Mar. 15, 2018**

(80) **Hague Agreement Data**

Int. Filing Date: **Mar. 15, 2018**
 Int. Reg. No.: **DM/100810**
 Int. Reg. Date: **Mar. 15, 2018**
 Int. Reg. Pub. Date: **Sep. 21, 2018**

(30) **Foreign Application Priority Data**

Sep. 29, 2017 (KR) 30-2017-0046363

(51) **LOC (12) Cl.** **16-02**

(52) **U.S. Cl.**
USPC **D16/221; D16/230; D16/234**

(58) **Field of Classification Search**
 USPC D16/221, 225, 229-231, 234-235;
 D14/496, 125, 135, 188
 CPC G03B 21/00; G03B 21/001; G03B 21/003;
 G03B 21/12; G03B 21/14; G03B 21/145
 See application file for complete search history.

(56) **References Cited**

U.S. PATENT DOCUMENTS

D565,080 S *	3/2008	Ishikawa	D16/221
D565,081 S *	3/2008	Ishikawa	D16/221
D691,648 S *	10/2013	Kawaguchi	D16/225
D744,577 S *	12/2015	Sakamoto	D16/225
D769,349 S *	10/2016	Seo	D16/230
D812,123 S *	3/2018	Shioguchi	D16/218
D817,381 S *	5/2018	Zhong	D16/230
D834,636 S *	11/2018	Gan	D16/230
D835,703 S *	12/2018	Moon	D16/230
D838,768 S *	1/2019	Lu	D16/230
D845,374 S *	4/2019	Song	D16/230

* cited by examiner

Primary Examiner — Manpreet S Matharu

Assistant Examiner — Holly E Thurman

(74) *Attorney, Agent, or Firm* — Birch, Stewart, Kolasch & Birch, LLP

(57) **CLAIM**

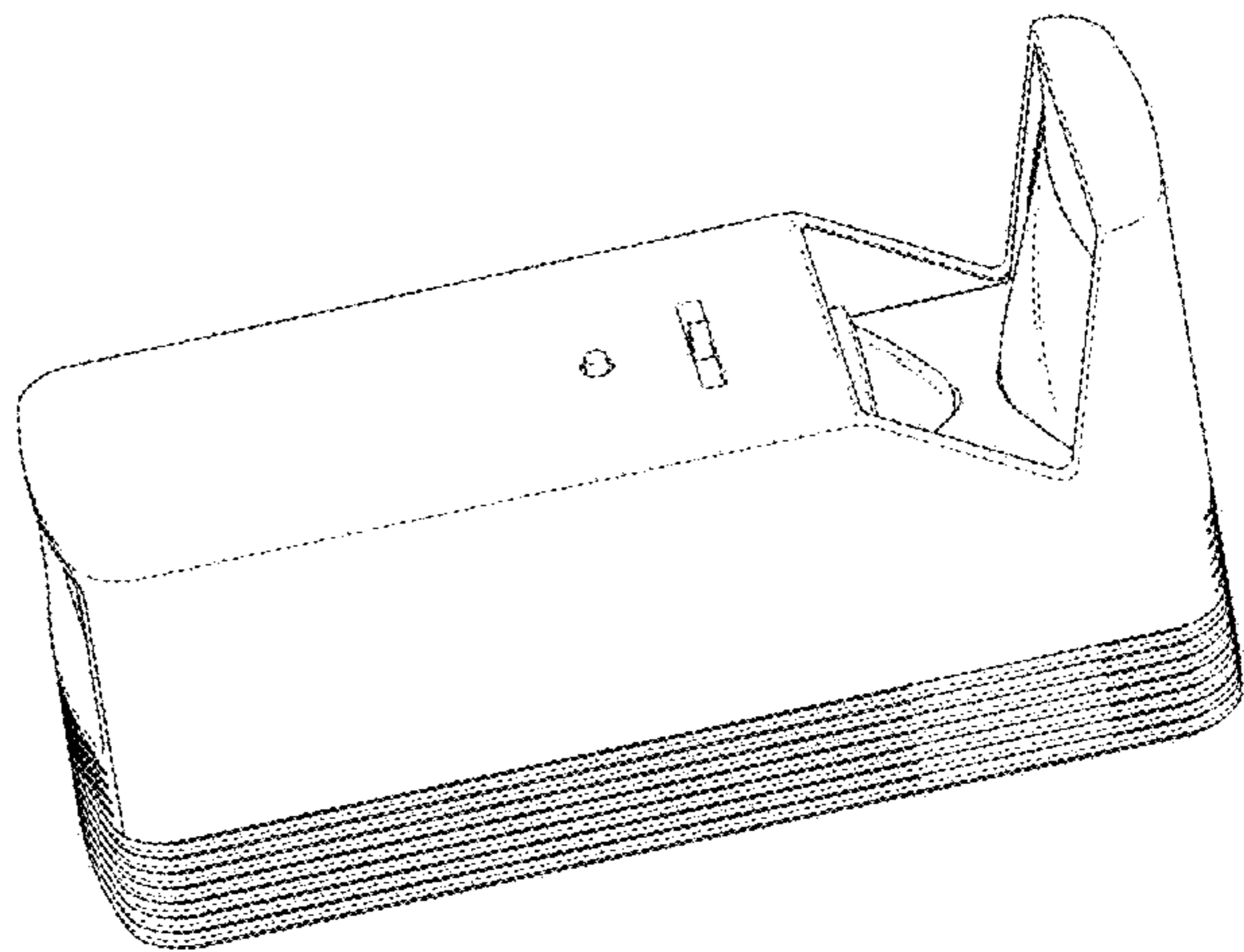
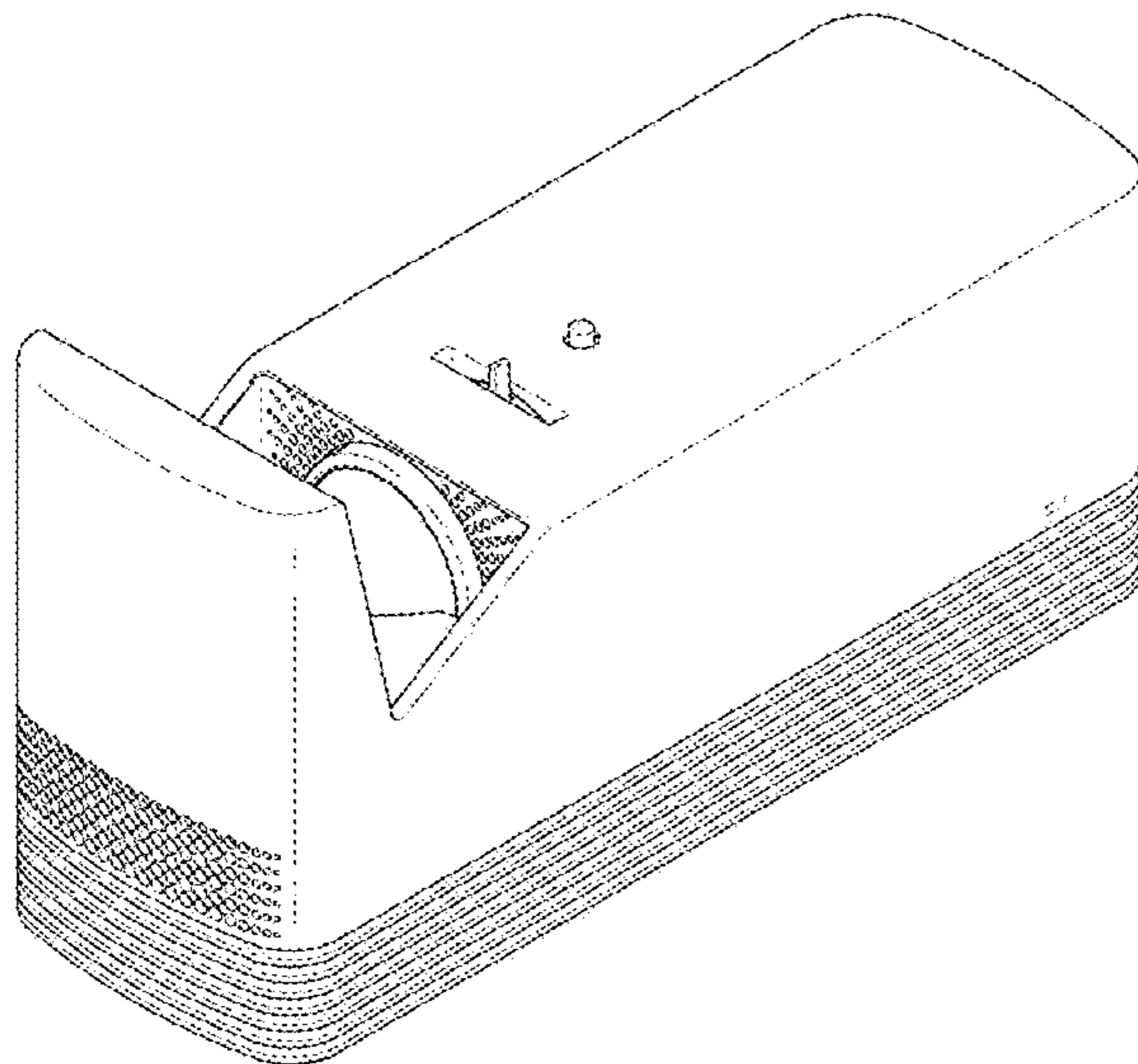
The ornamental design for a beam projector, as shown and described.

DESCRIPTION

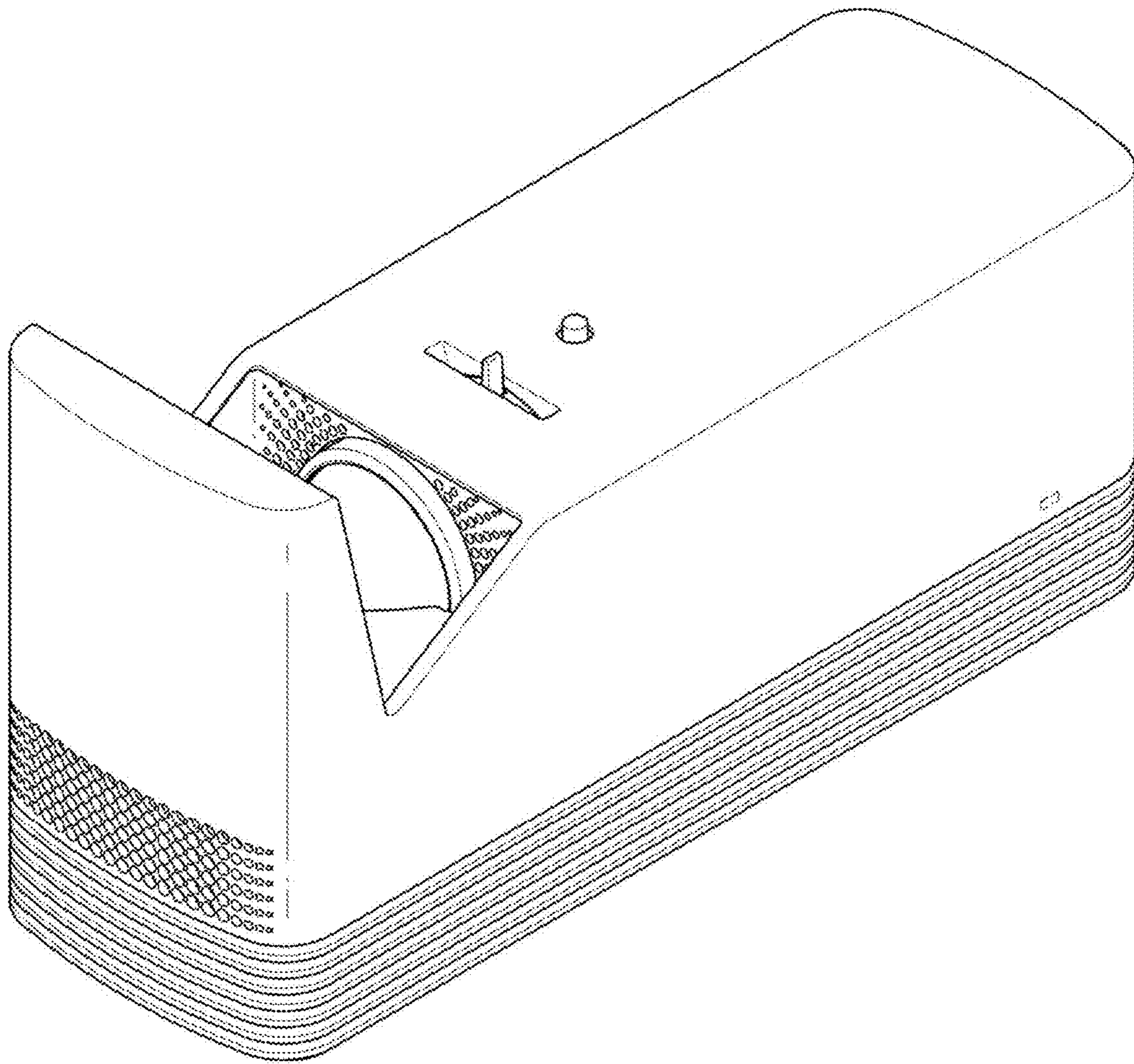
- 1. Beam projector
- 1.1 : Perspective
- 1.2 : Rear perspective view
- 1.3 : Front
- 1.4 : Back
- 1.5 : Left
- 1.6 : Right
- 1.7 : Top
- 1.8 : Bottom

The broken lines indicate unclaimed portion of the article that form no part of the claimed design.

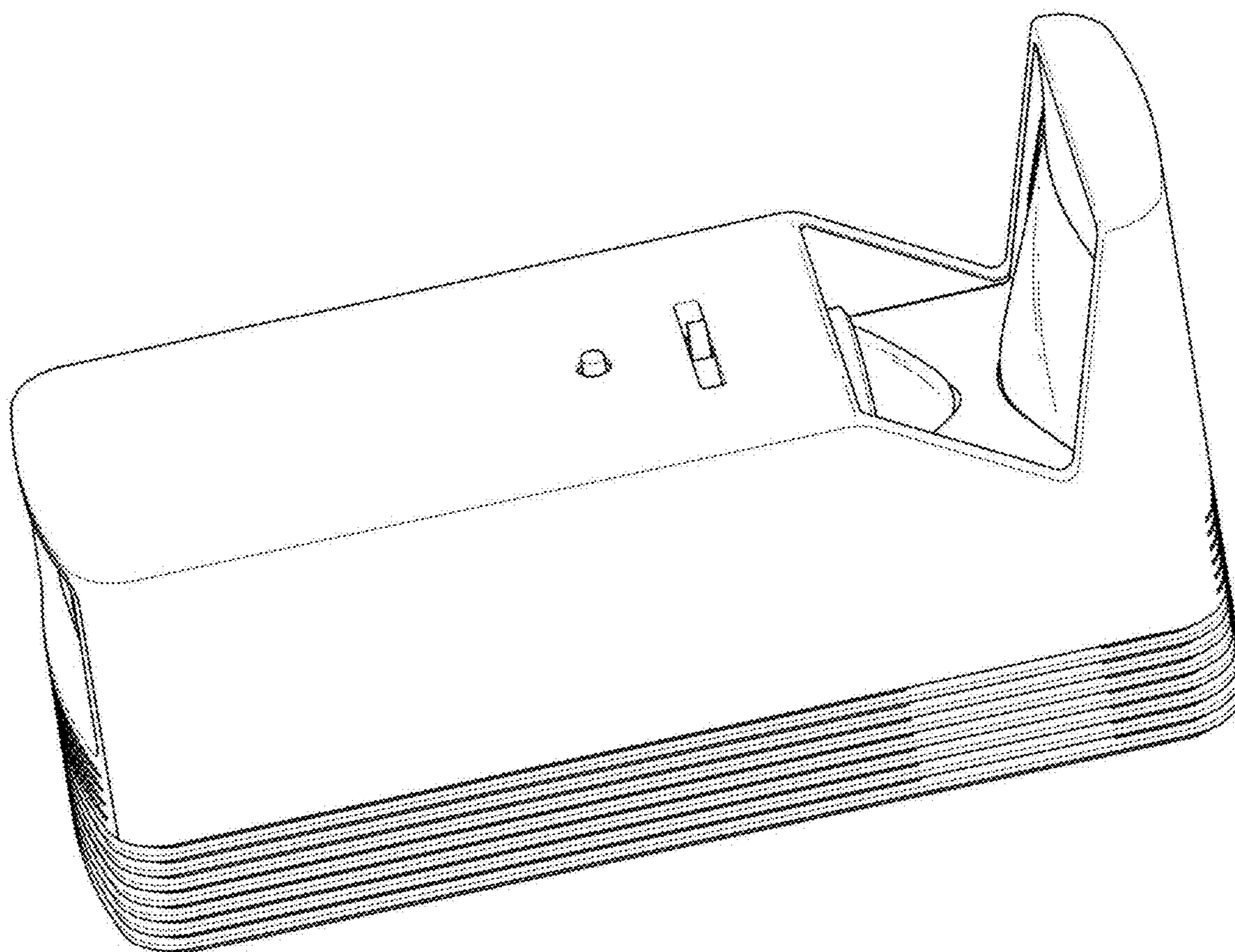
1 Claim, 8 Drawing Sheets



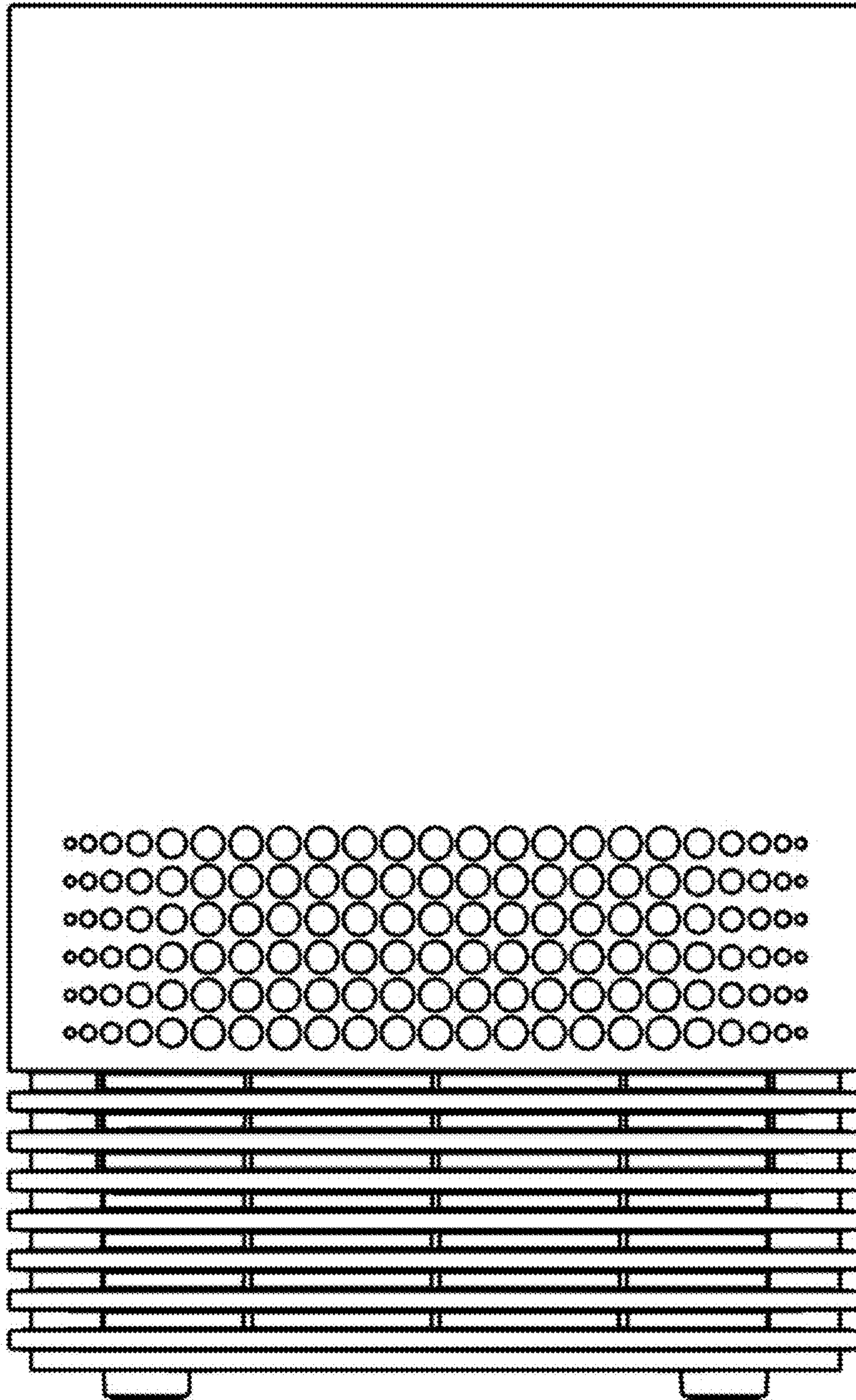
1.1



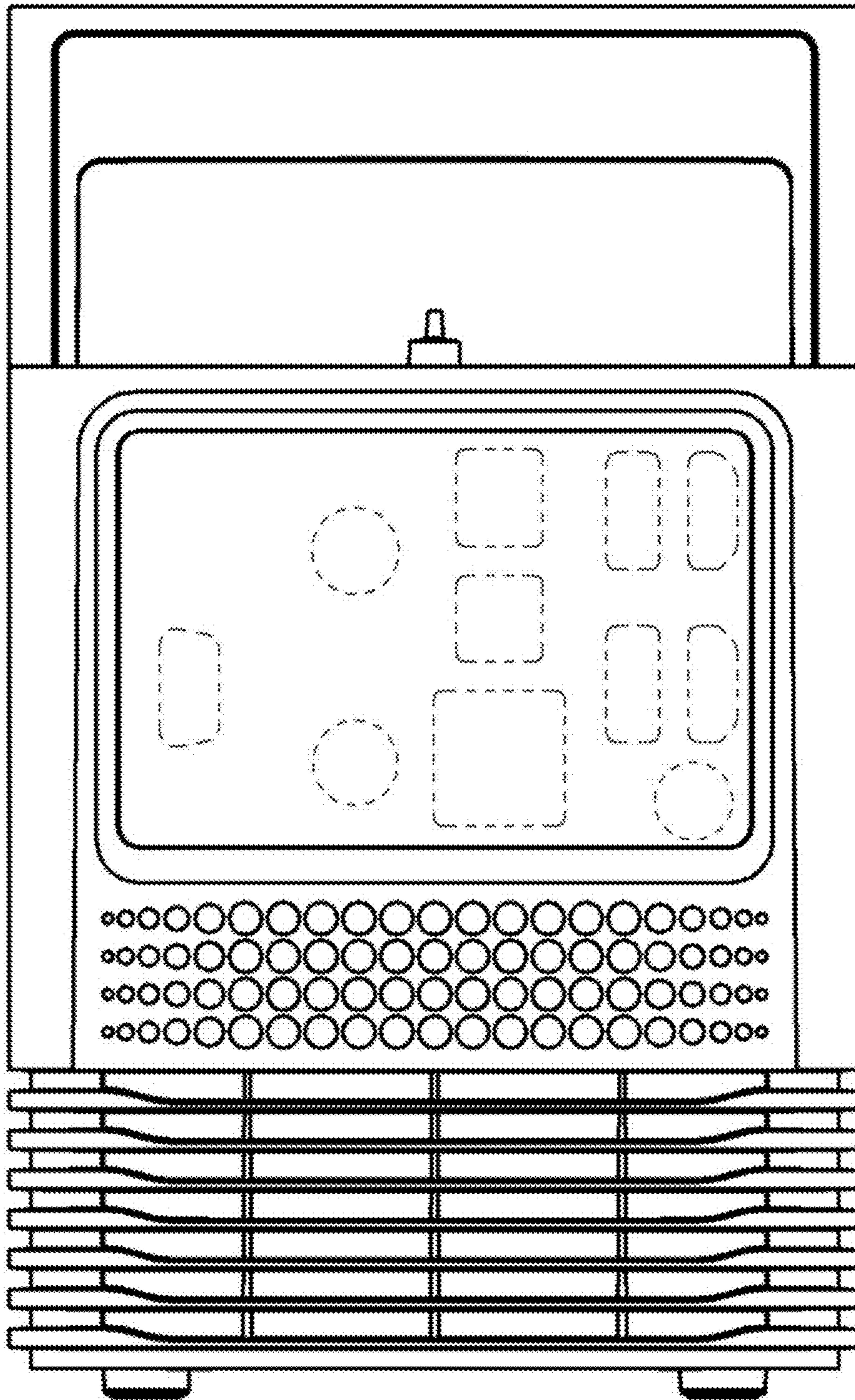
1.2



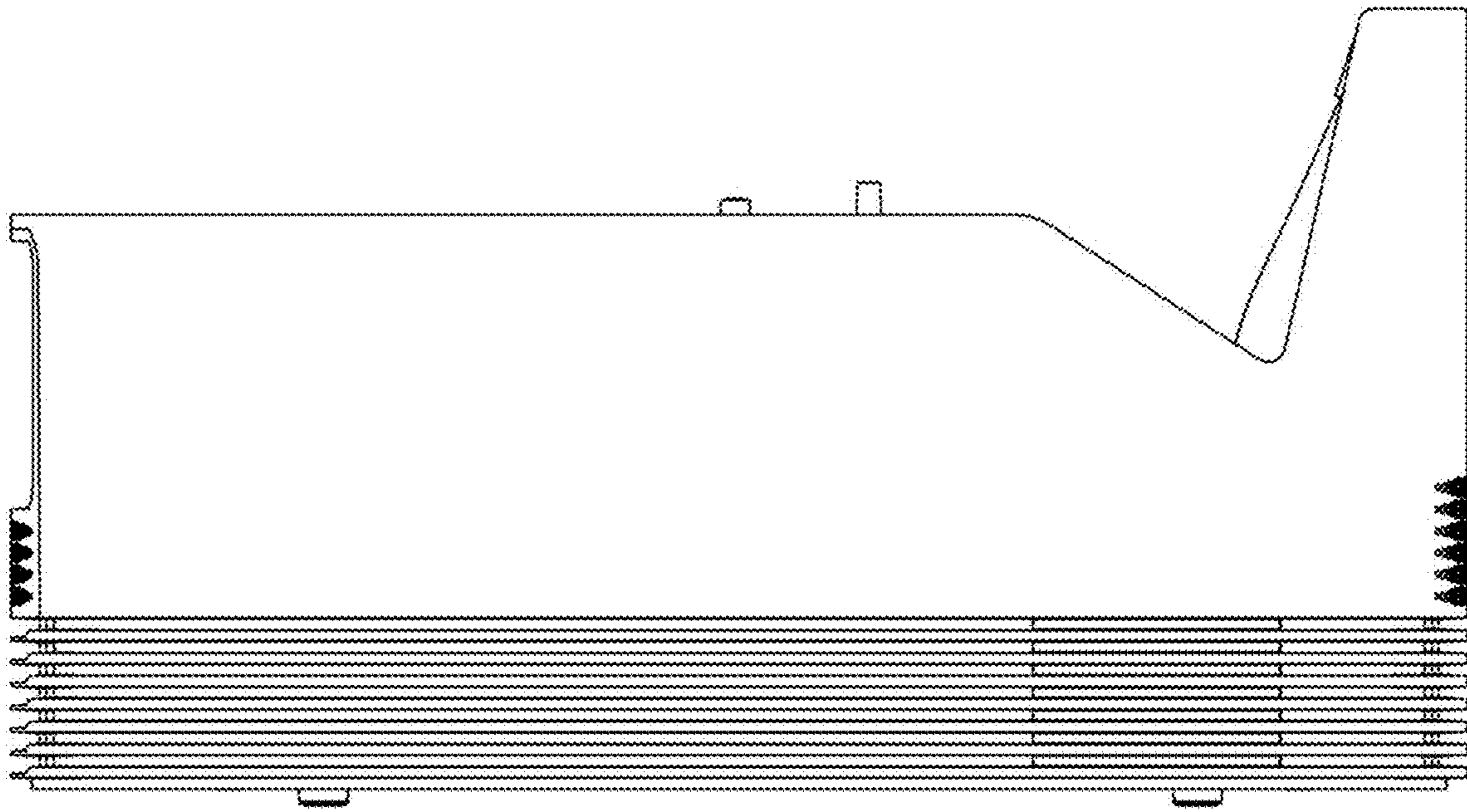
1.3

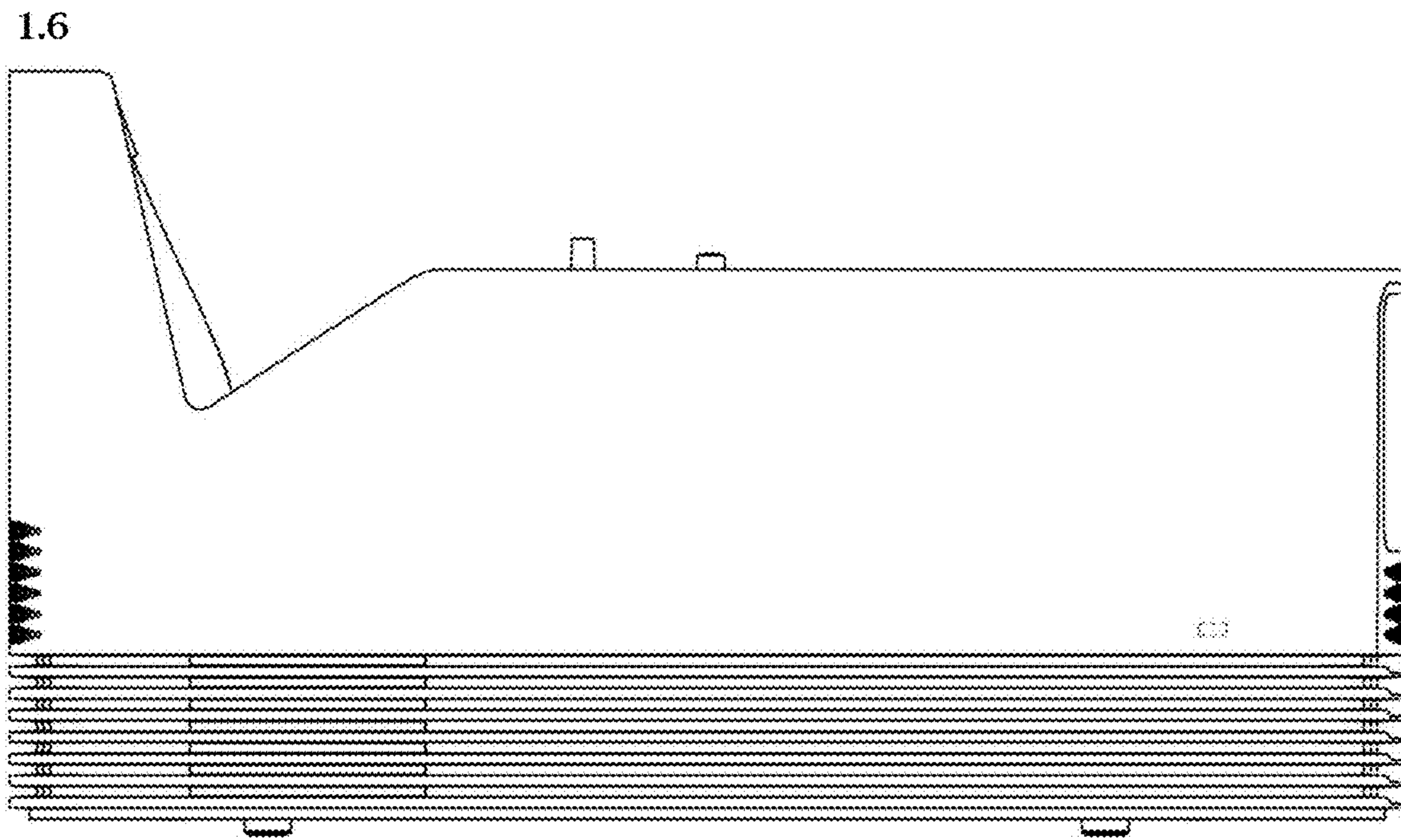


1.4

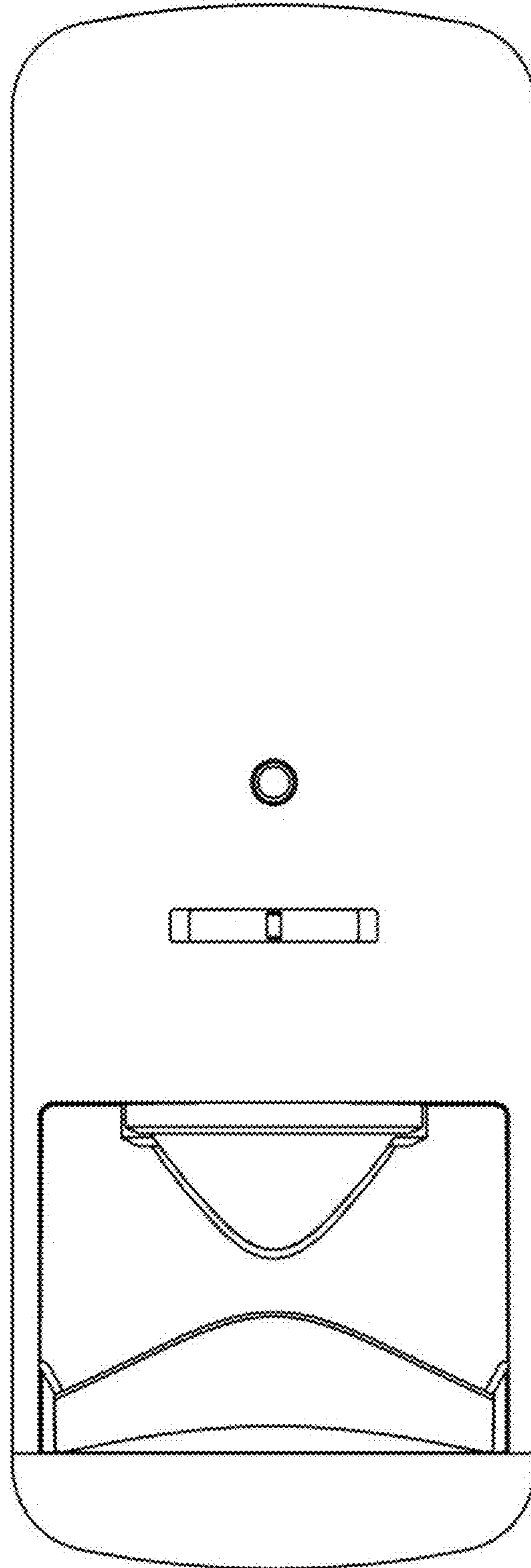


1.5





1.7



1.8

