



US00D858612S

(12) **United States Design Patent**
Ikegame

(10) **Patent No.:** **US D858,612 S**

(45) **Date of Patent:** **** Sep. 3, 2019**

(54) **LENS FOR CAMERA**

(71) Applicant: **FUJIFILM Corporation**, Tokyo (JP)

(72) Inventor: **Haruka Ikegame**, Saitama (JP)

(73) Assignee: **FUJIFILM Corporation**, Tokyo (JP)

(**) Term: **15 Years**

(21) Appl. No.: **29/639,614**

(22) Filed: **Mar. 7, 2018**

(30) **Foreign Application Priority Data**

Sep. 8, 2017 (JP) 2017-019623

(51) **LOC (12) Cl.** **16-05**

(52) **U.S. Cl.**
USPC **D16/219**

(58) **Field of Classification Search**
USPC D16/134, 136, 200, 202–205, 218, 219,
D16/235, 242; 348/373–376;
359/826–828; 396/529–532, 535,
396/539–541

CPC G03B 17/02; G03B 19/04; G03B 17/56;
G03B 17/04; G03B 15/03; G03B 17/14;
H04N 5/2251; H04N 5/2252; H04N
5/2253; H04N 5/2254; G02B 7/02; G02B
7/04; G02B 7/14

See application file for complete search history.

(56) **References Cited**

U.S. PATENT DOCUMENTS

D412,922 S * 8/1999 Sekine D16/134
D562,863 S * 2/2008 Yasutomi D16/134

D718,361 S * 11/2014 Noh D16/219
D737,360 S * 8/2015 Jung D16/219
D741,937 S * 10/2015 Park D16/219
D763,942 S * 8/2016 Yoon D16/219
D768,224 S * 10/2016 Kim D16/219
D783,078 S * 4/2017 Kim D16/219
9,791,660 B2 * 10/2017 Takeshita G03B 3/10
2014/0168798 A1 * 6/2014 Ejima G03B 43/00
359/822
2015/0116535 A1 * 4/2015 Wu H04N 9/735
348/224.1
2017/0184810 A1 * 6/2017 Shinano G02B 7/10

* cited by examiner

Primary Examiner — Ramzi S Almatrahi

(74) *Attorney, Agent, or Firm* — Birch, Stewart, Kolasch
& Birch, LLP

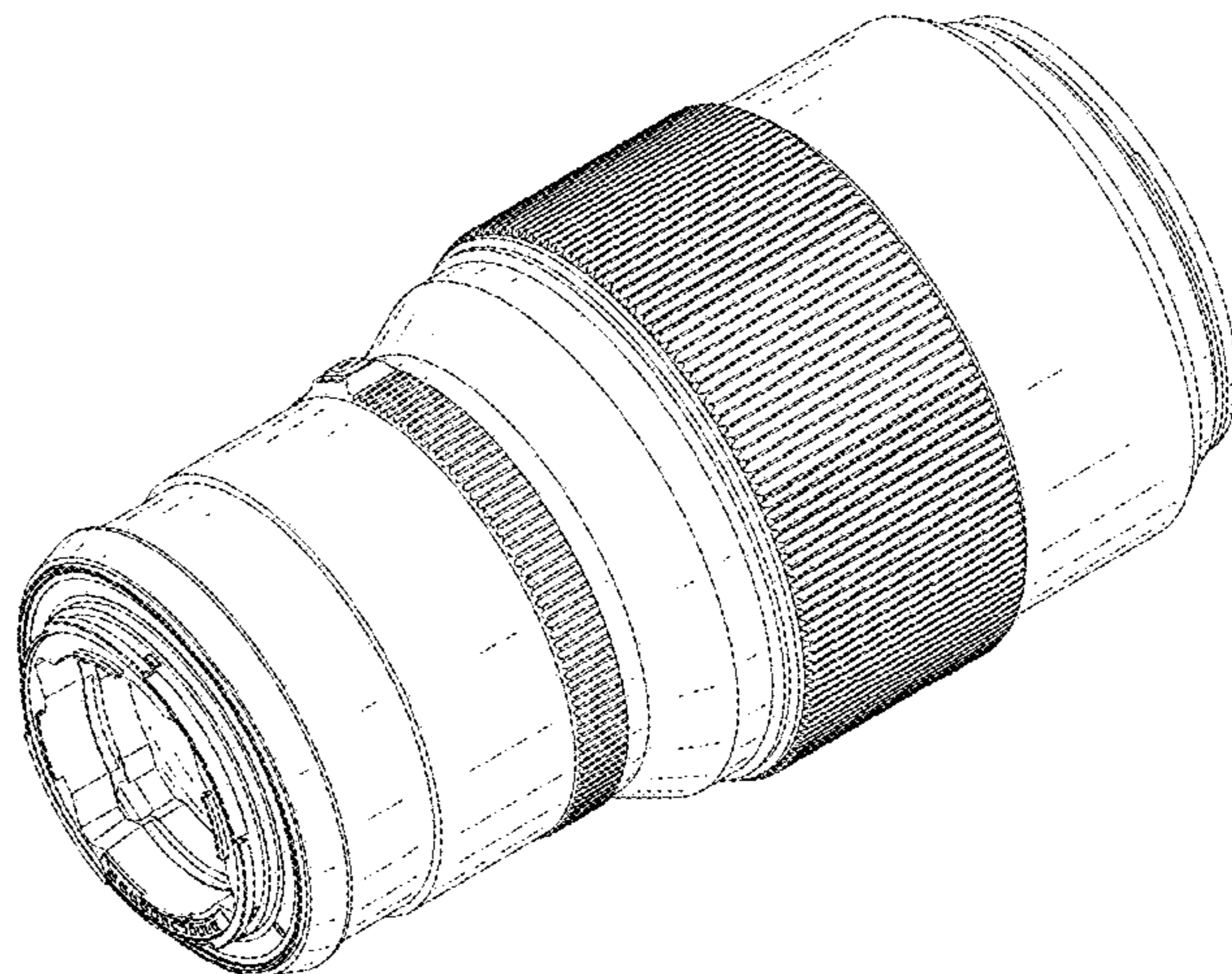
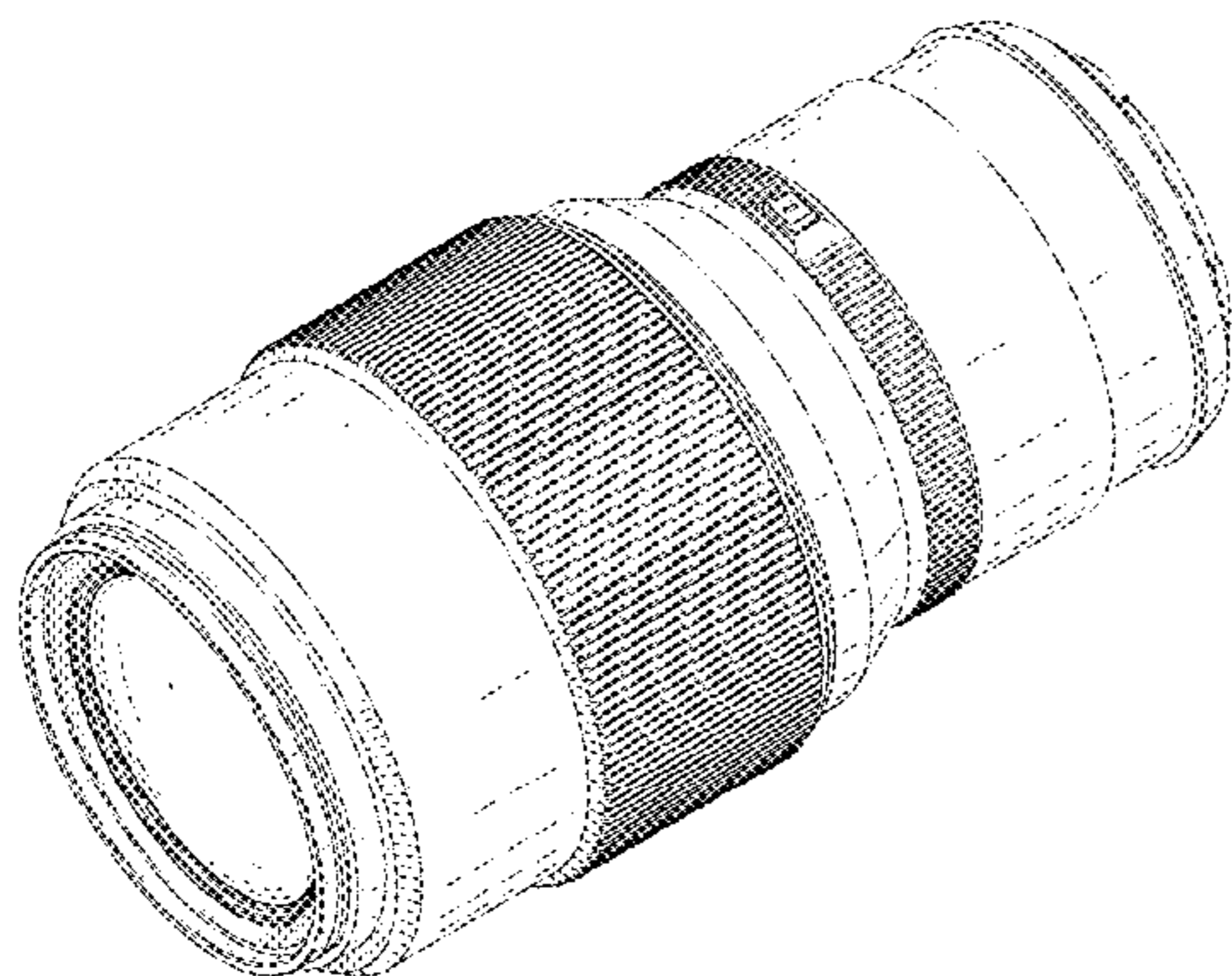
(57) **CLAIM**

The ornamental design for a lens for camera, as shown and described.

DESCRIPTION

FIG. 1 is a right side perspective view of a lens for camera showing my new design;
FIG. 2 is a left side perspective view thereof;
FIG. 3 is a front view thereof;
FIG. 4 is a rear view thereof;
FIG. 5 is a top plan view thereof;
FIG. 6 is a bottom plan view thereof;
FIG. 7 is a right side view thereof; and,
FIG. 8 is a left side view thereof.

1 Claim, 5 Drawing Sheets



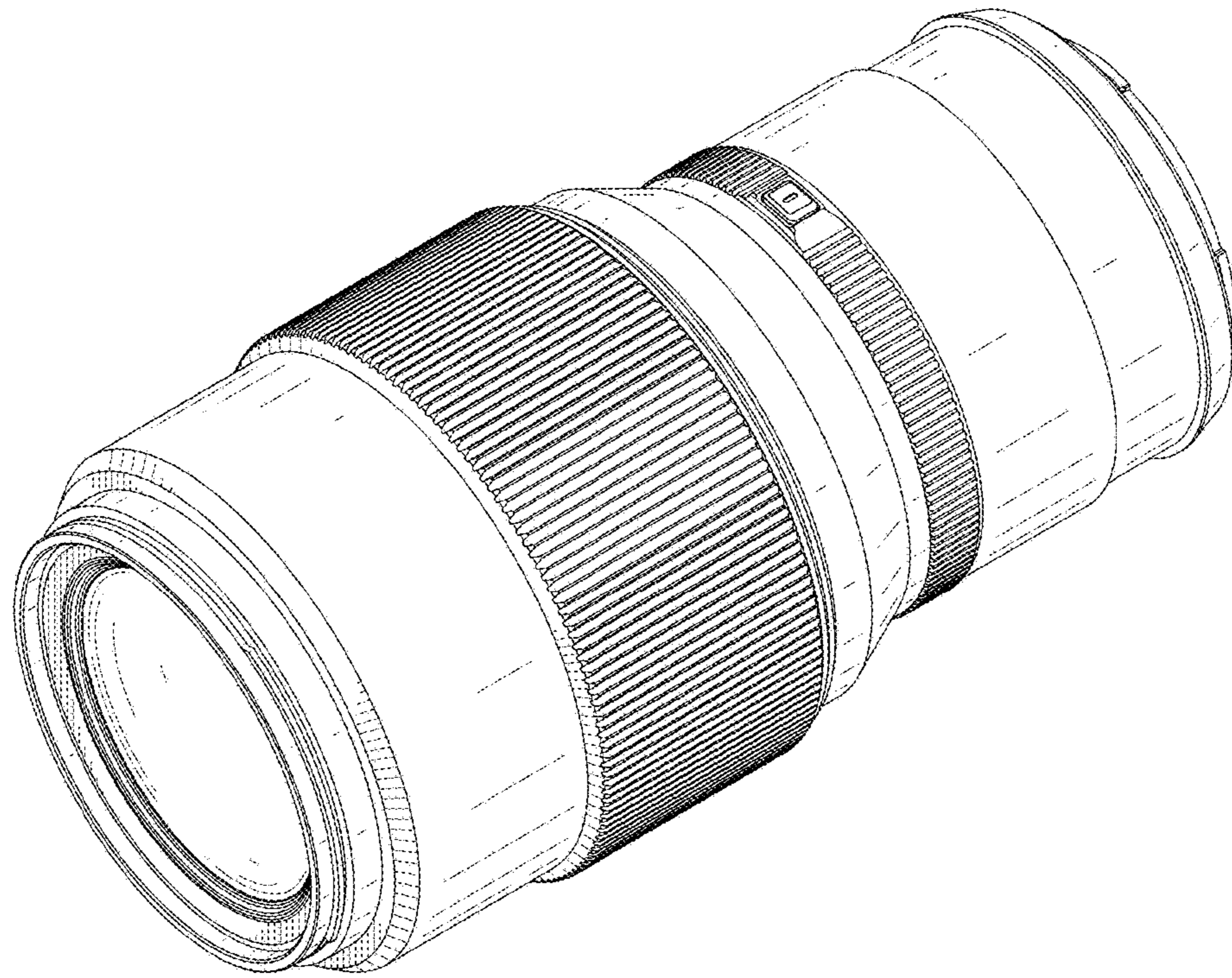


FIG.1

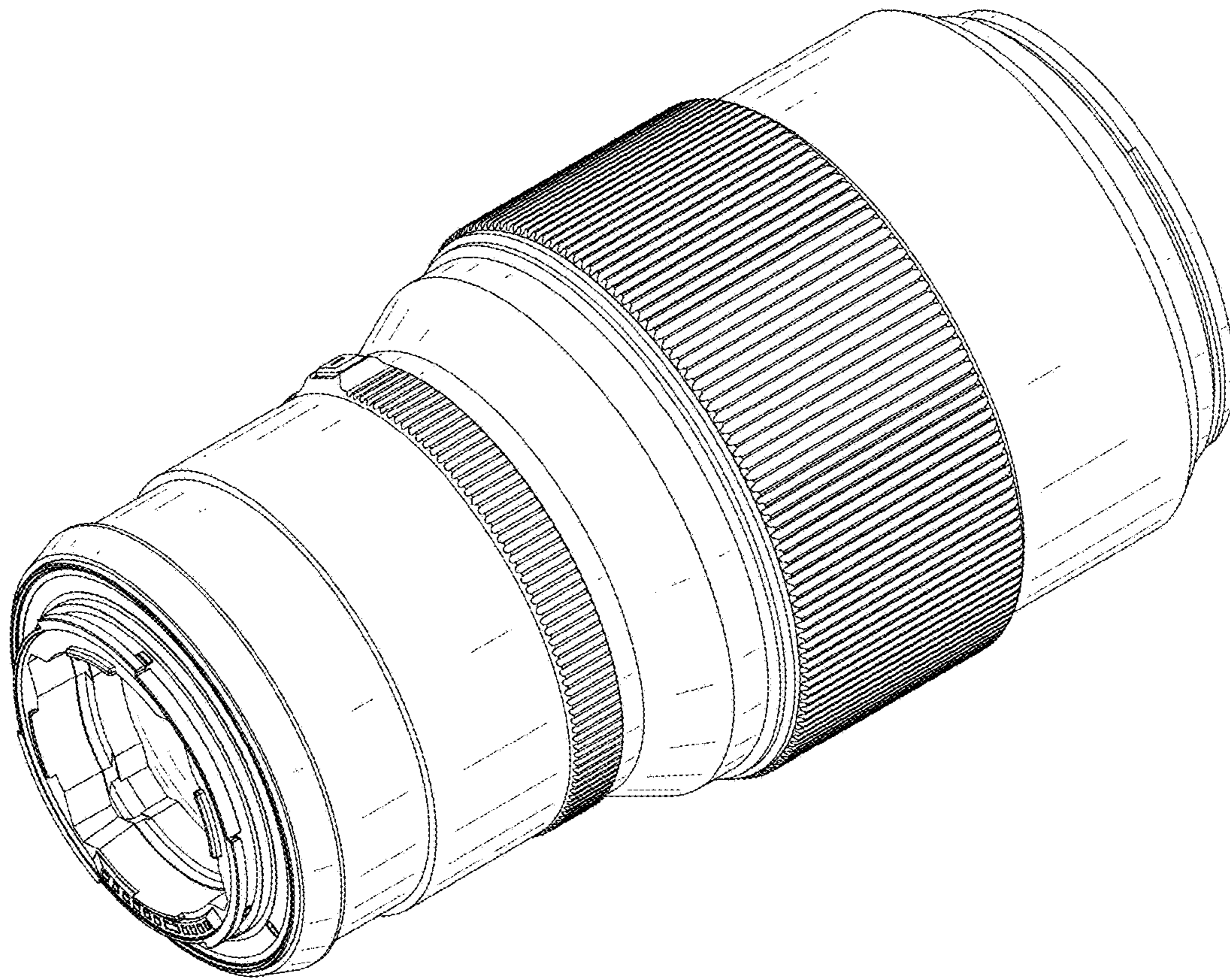


FIG.2

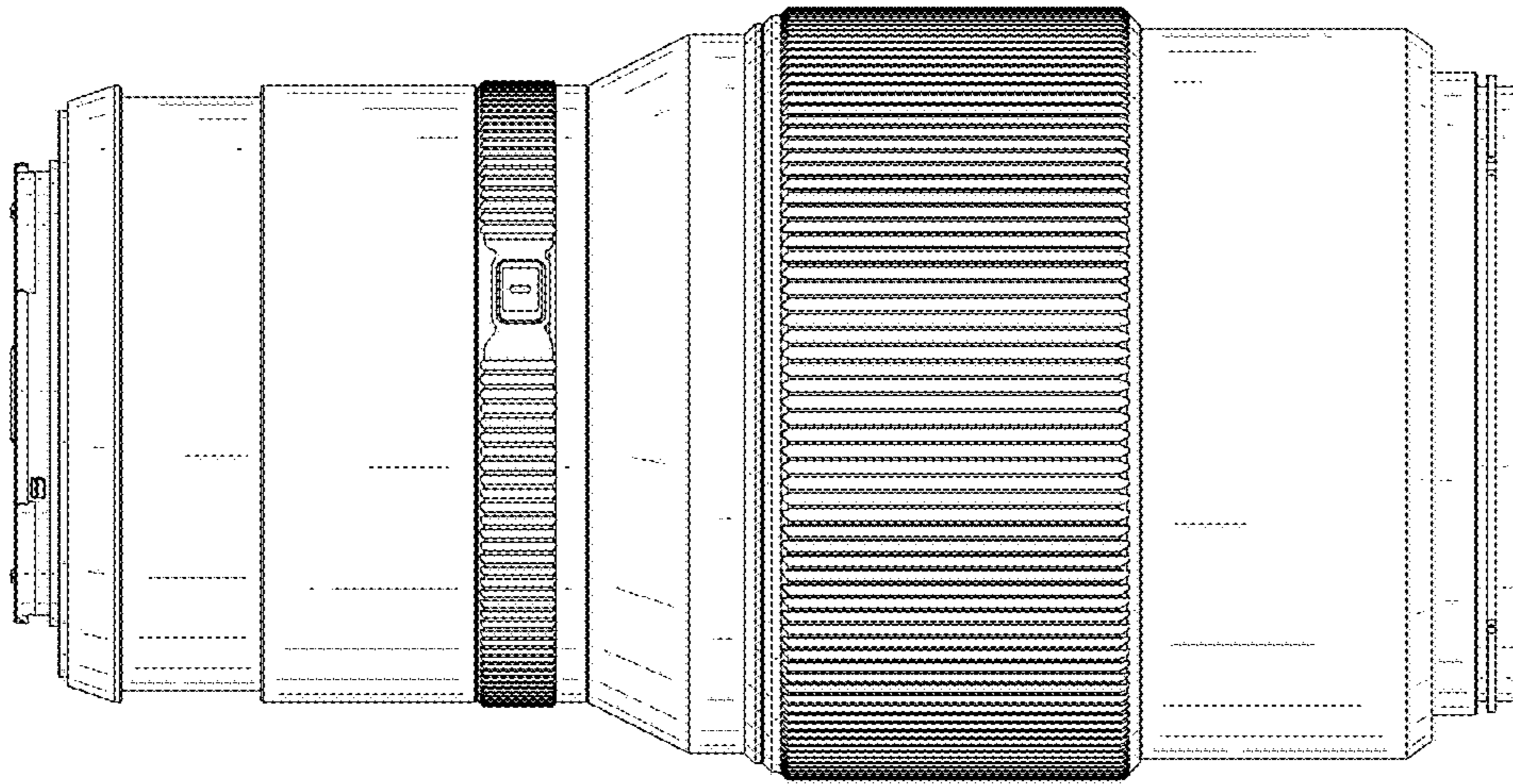


FIG.3

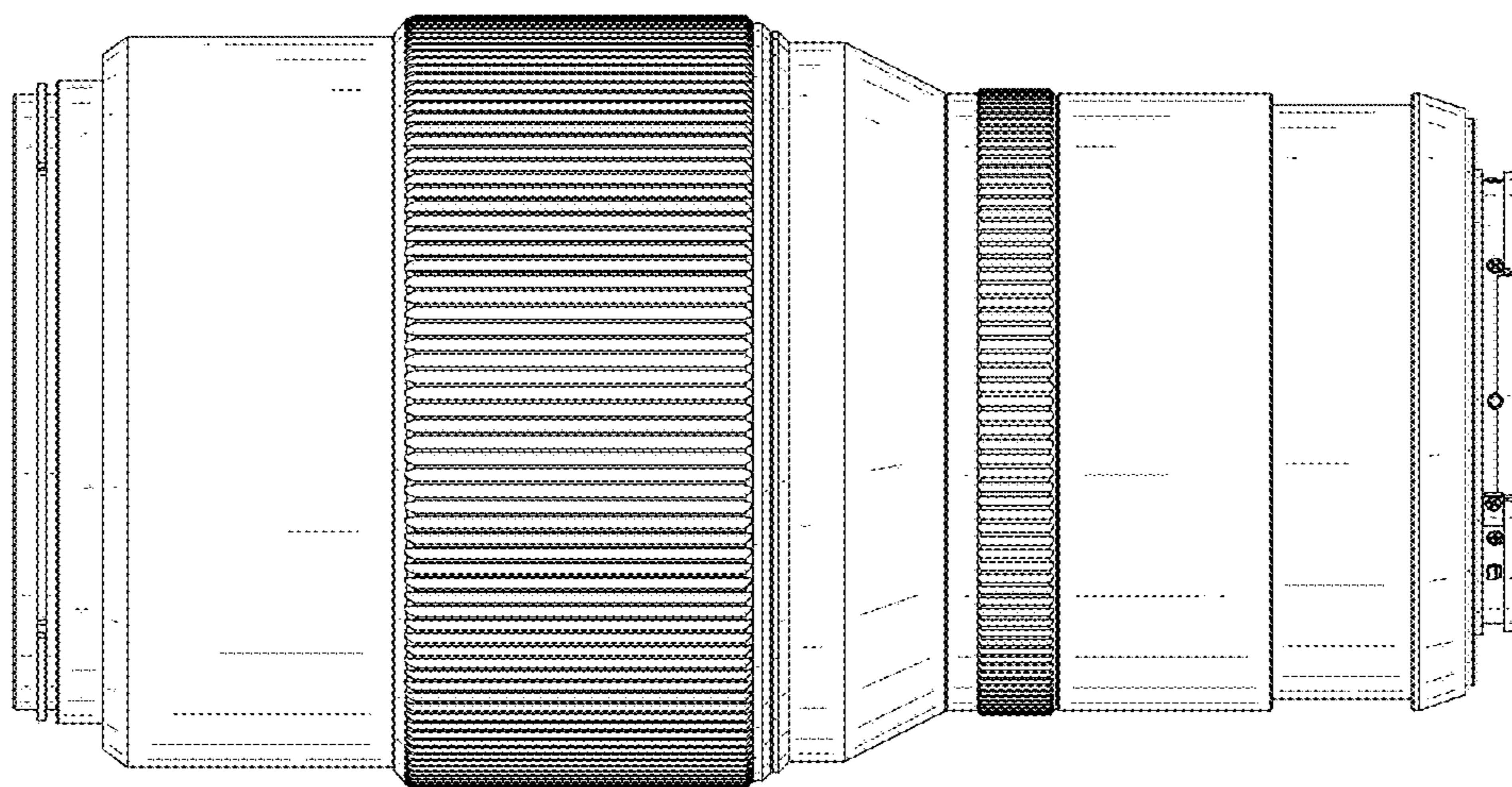


FIG.4

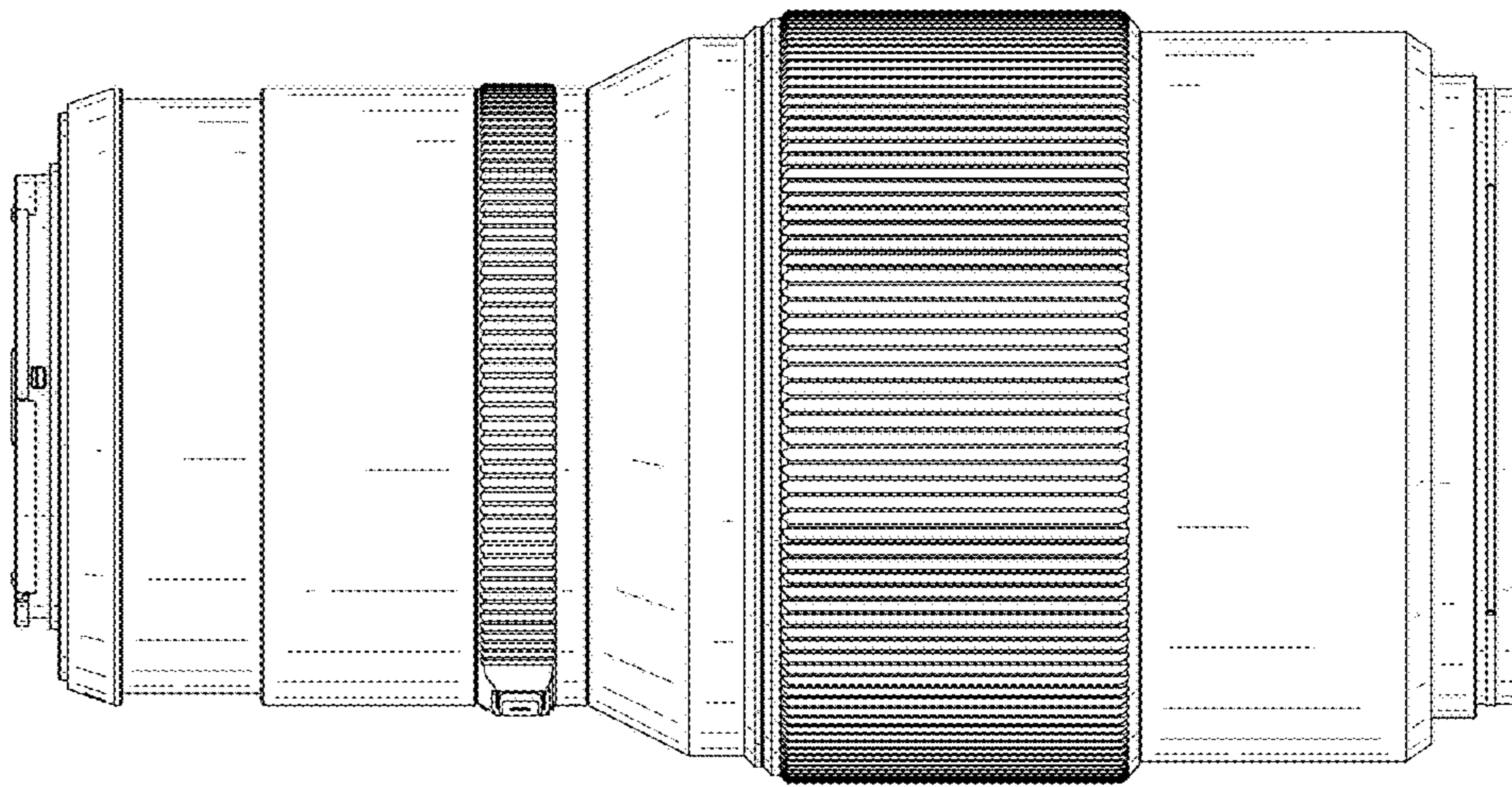


FIG.5

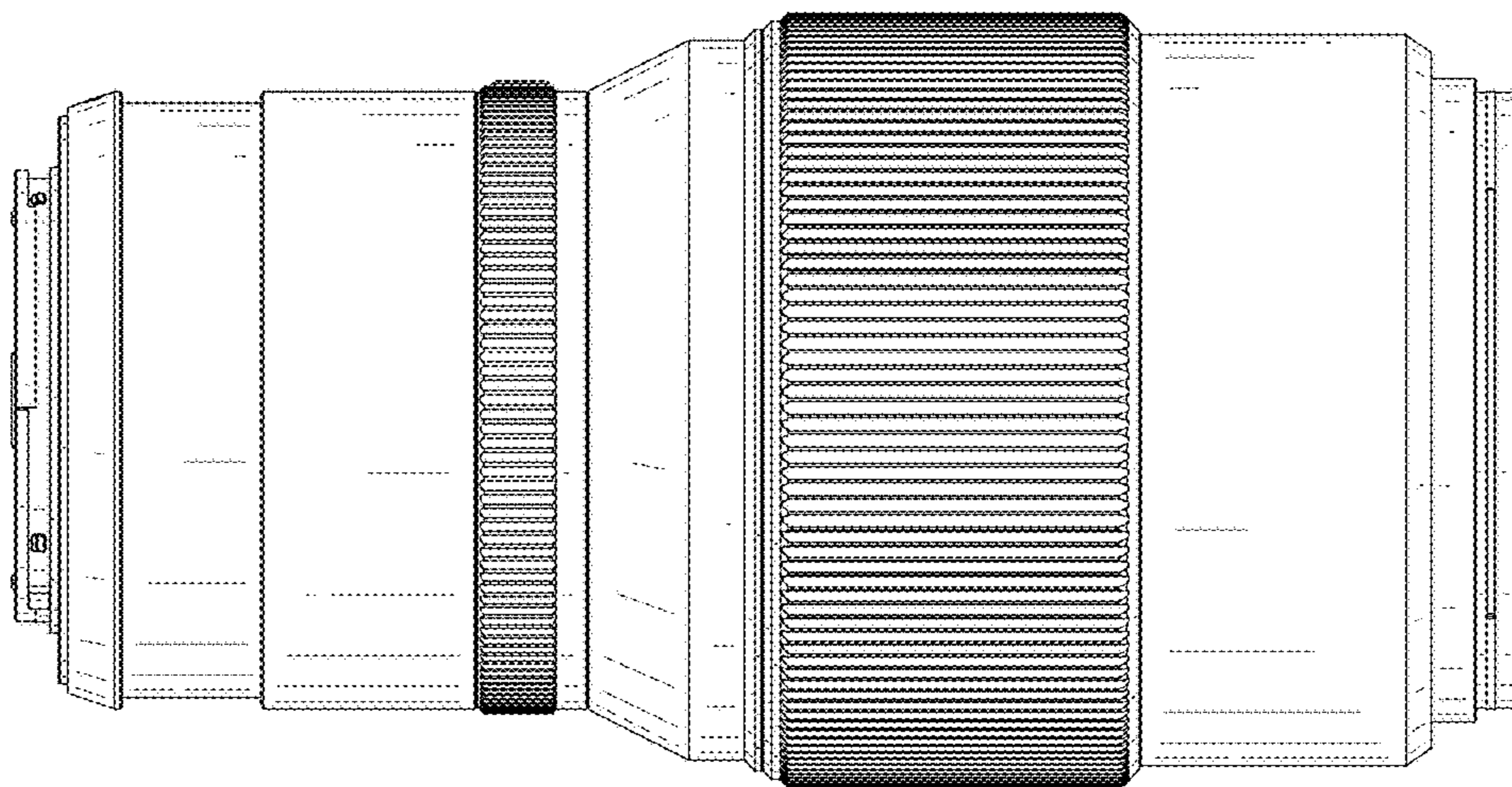


FIG.6

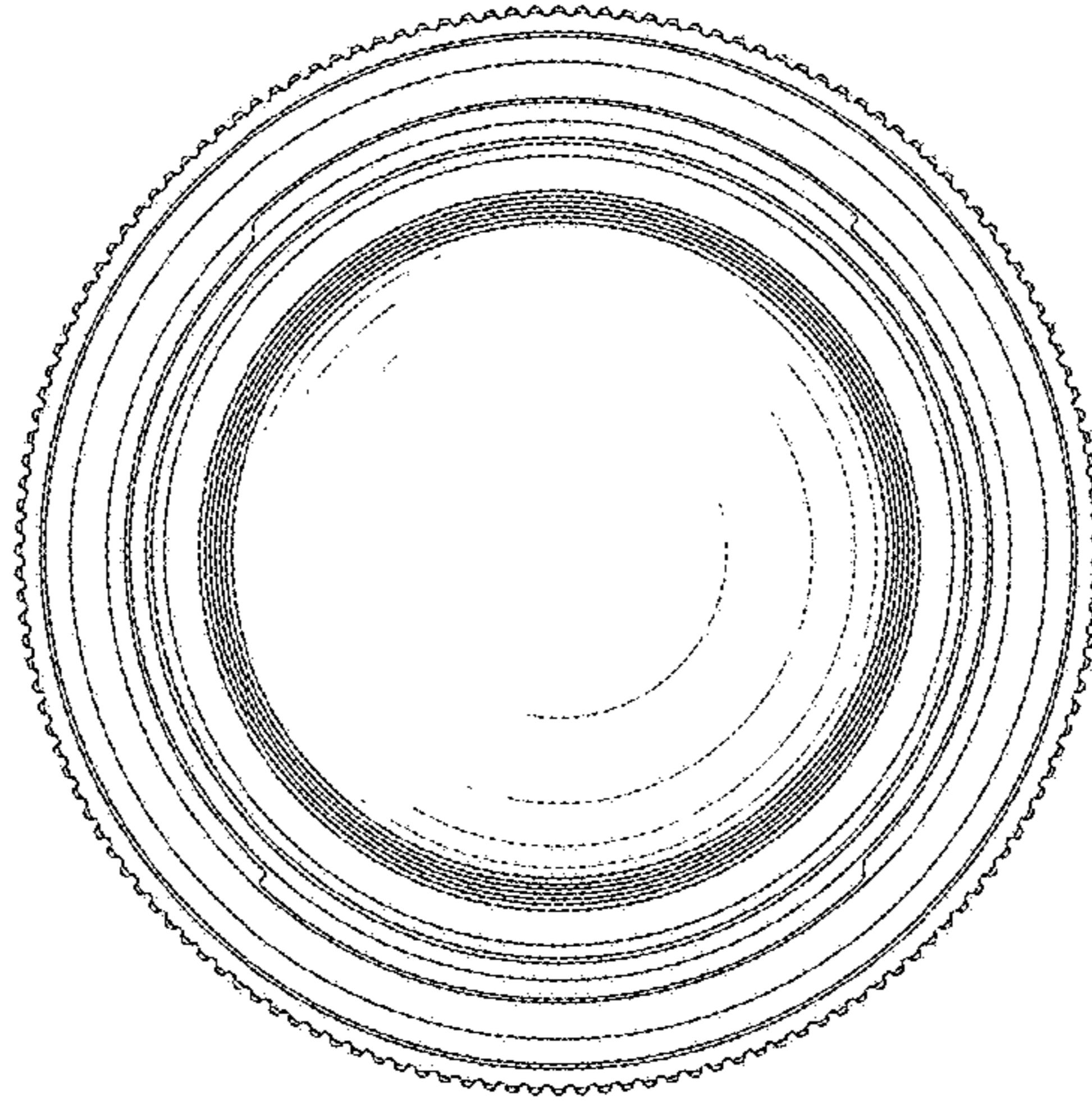


FIG. 7

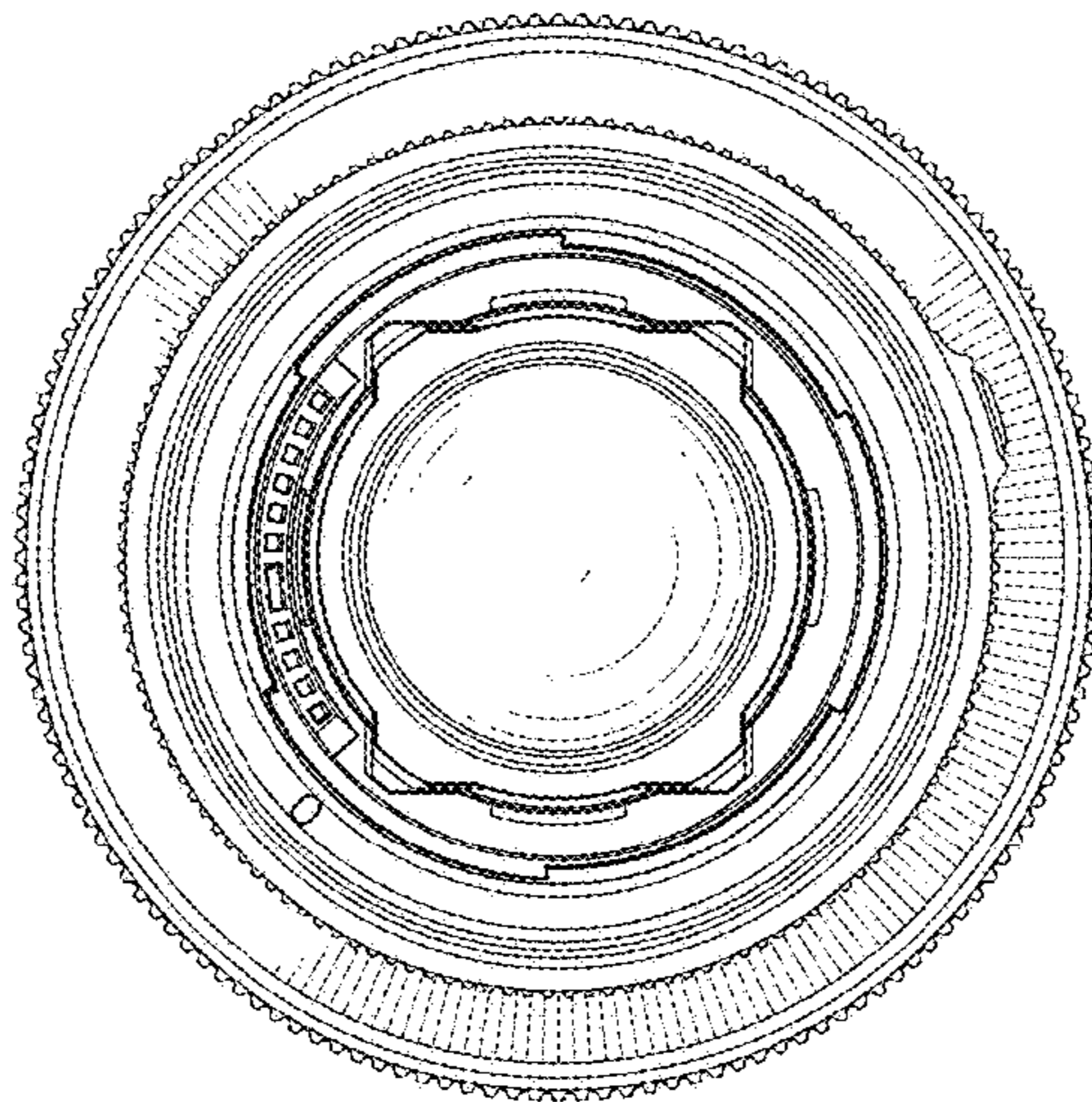


FIG. 8