



US00D858611S

(12) **United States Design Patent** (10) **Patent No.:** **US D858,611 S**
Rice, II et al. (45) **Date of Patent:** **** Sep. 3, 2019**

- (54) **MULTIPLE EXPLOSION PROOF CHAMBERS CAMERA HOUSING**
- (71) Applicant: **SPECTRUM CAMERA SOLUTIONS, LLC**, Houston, TX (US)
- (72) Inventors: **Hubert Rice, II**, Houston, TX (US); **Aaron F. Williams**, Houston, TX (US)
- (73) Assignee: **SPECTRUM CAMERA SOLUTIONS, LLC**, Houston, TX (US)
- (**) Term: **15 Years**
- (21) Appl. No.: **29/558,402**
- (22) Filed: **Mar. 17, 2016**
- (51) **LOC (12) Cl.** **16-05**
- (52) **U.S. Cl.**
USPC **D16/219**
- (58) **Field of Classification Search**
USPC D16/200, 202-205, 208, 209, 218, 219;
D08/349, 354, 363, 366; 348/373-376;
396/535, 538-541
CPC G03B 17/02; G03B 19/04; G03B 17/56;
G03B 17/04; G03B 15/03; G03B 15/05;
H04N 5/2251; H04N 5/2252; H04N 5/2253; H04N 5/2254; H04N 2007/145;
H04N 7/141; H04N 7/142; H04N 7/147;
H04N 7/148; H04N 7/15; H04N 7/152
See application file for complete search history.

- (56) **References Cited**
U.S. PATENT DOCUMENTS
D333,421 S * 2/1993 Patti D12/406
6,464,182 B1 * 10/2002 Snyder E04C 3/02
248/217.2
7,402,074 B2 * 7/2008 LeBlanc B60Q 1/0483
439/366
D581,912 S * 12/2008 Blair, Jr. D14/238

D581,913 S *	12/2008	Blair, Jr.	D14/238
D594,312 S *	6/2009	Clarke	D8/354
D690,450 S *	9/2013	Guercio	D26/72
D690,760 S *	10/2013	Huang	D16/242
D715,887 S *	10/2014	Friedman	D22/109
D749,164 S *	2/2016	Raccah	D16/242
D768,264 S *	10/2016	Park	D23/233
D775,939 S *	1/2017	Ng	D8/380
D788,208 S *	5/2017	Muhlenkamp, IV	D16/200
D808,458 S *	1/2018	Kim	D16/242
2016/0096285 A1 *	4/2016	Page	E02F 3/407 366/66
2016/0130061 A1 *	5/2016	Lennan	F17C 13/00 292/261

* cited by examiner

Primary Examiner — Philip S Hyder
Assistant Examiner — Ramzi S Almatrahi
(74) *Attorney, Agent, or Firm* — Lindauer Law, PLLC

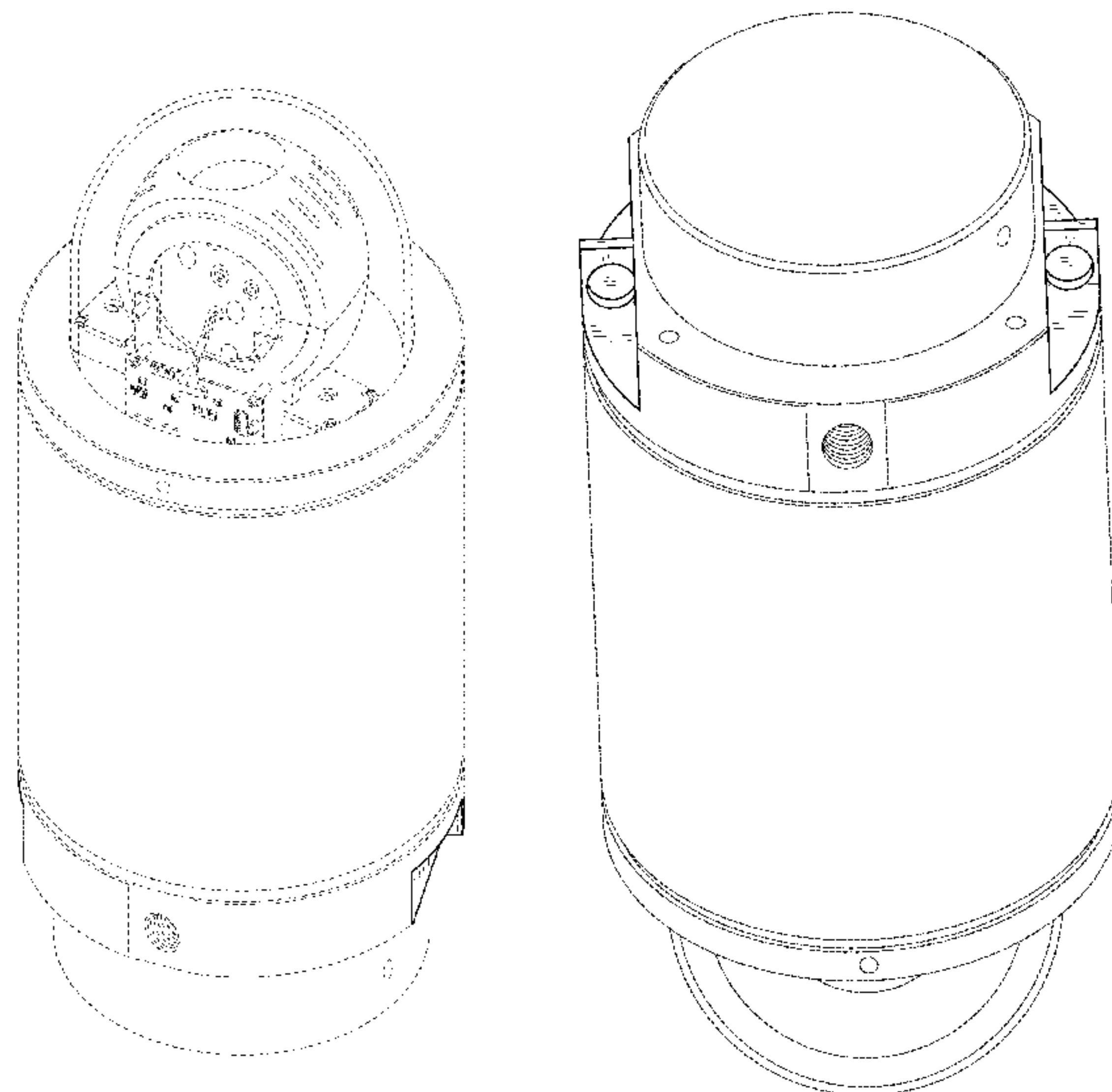
(57) **CLAIM**

The ornamental design for a multiple explosion proof chambers camera housing, as shown and described.

DESCRIPTION

FIG. 1 is a perspective view of a multiple explosion proof chambers camera housing showing our new design; FIG. 2 is a front elevational view thereof. FIG. 3 is a rear elevational view thereof. FIG. 4 is a right side elevational view thereof. FIG. 5 is a left side elevational view thereof. FIG. 6 is a top plan view thereof. FIG. 7 is a bottom plan view thereof; and, FIG. 8 is a bottom perspective view thereof. The broken lines depict portions of the multiple explosion proof chambers camera housing in which the design is embodied that form no part of the claimed design.

1 Claim, 5 Drawing Sheets



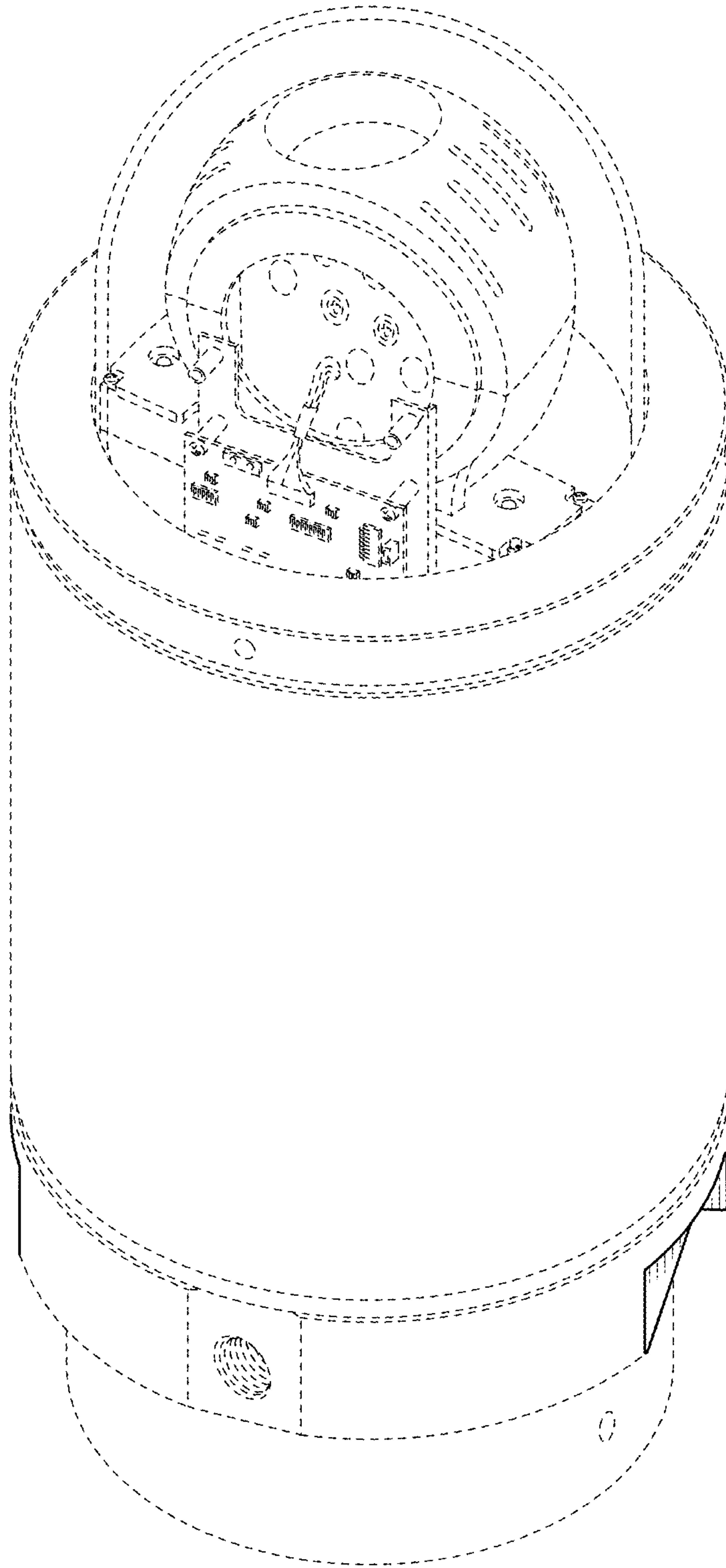


FIG. 1



FIG. 2

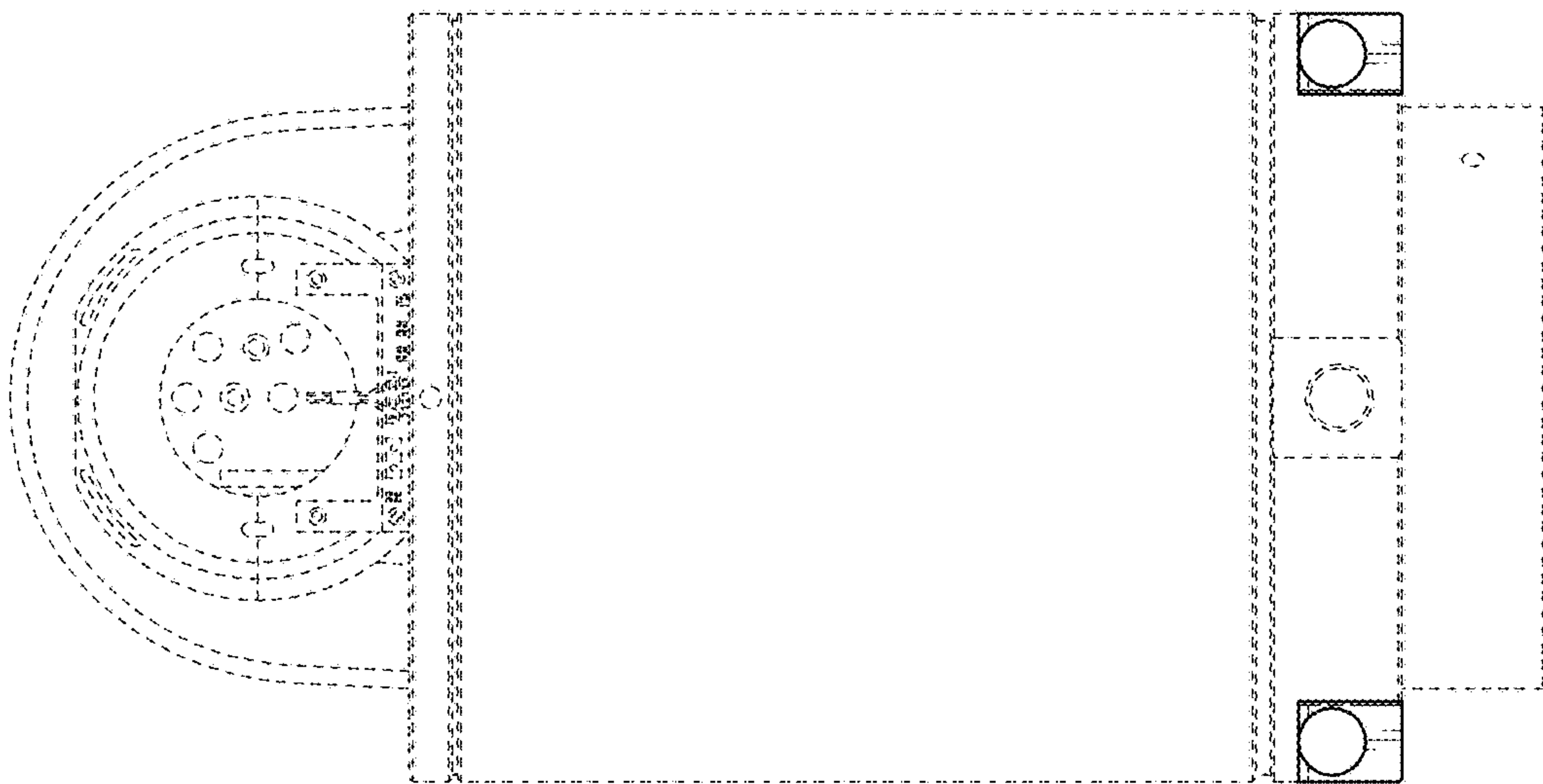


FIG. 3

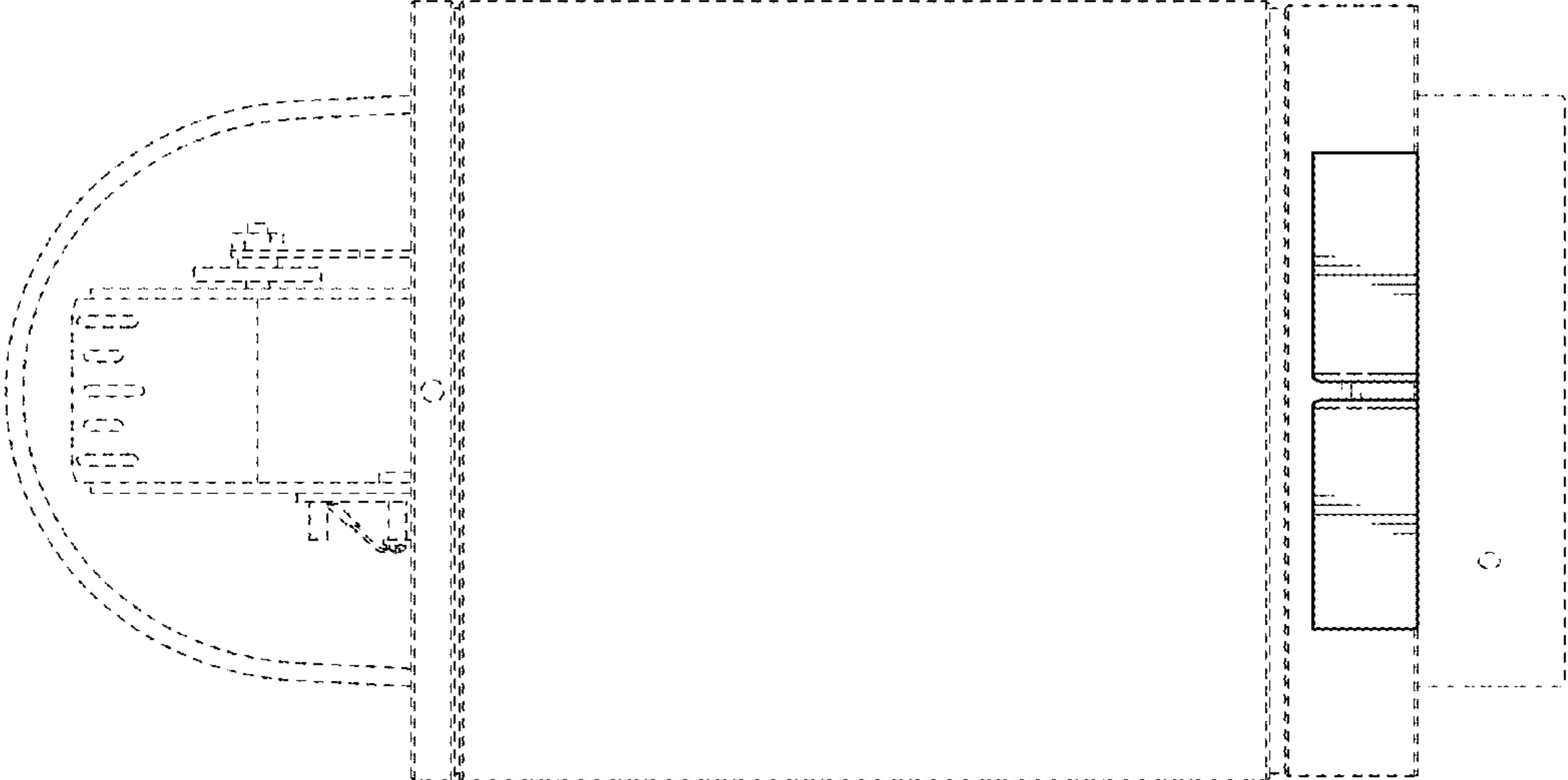


FIG. 5

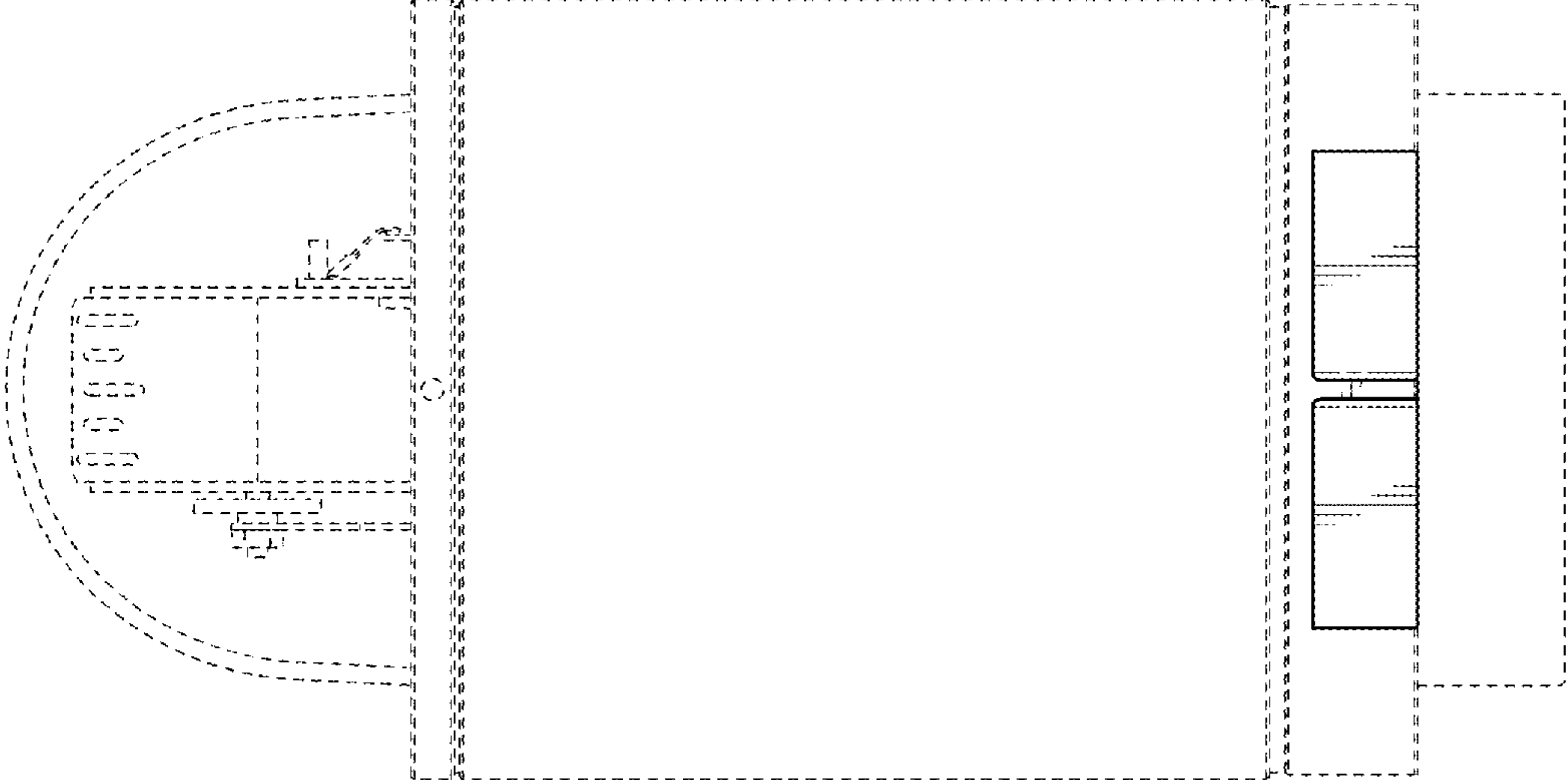


FIG. 4

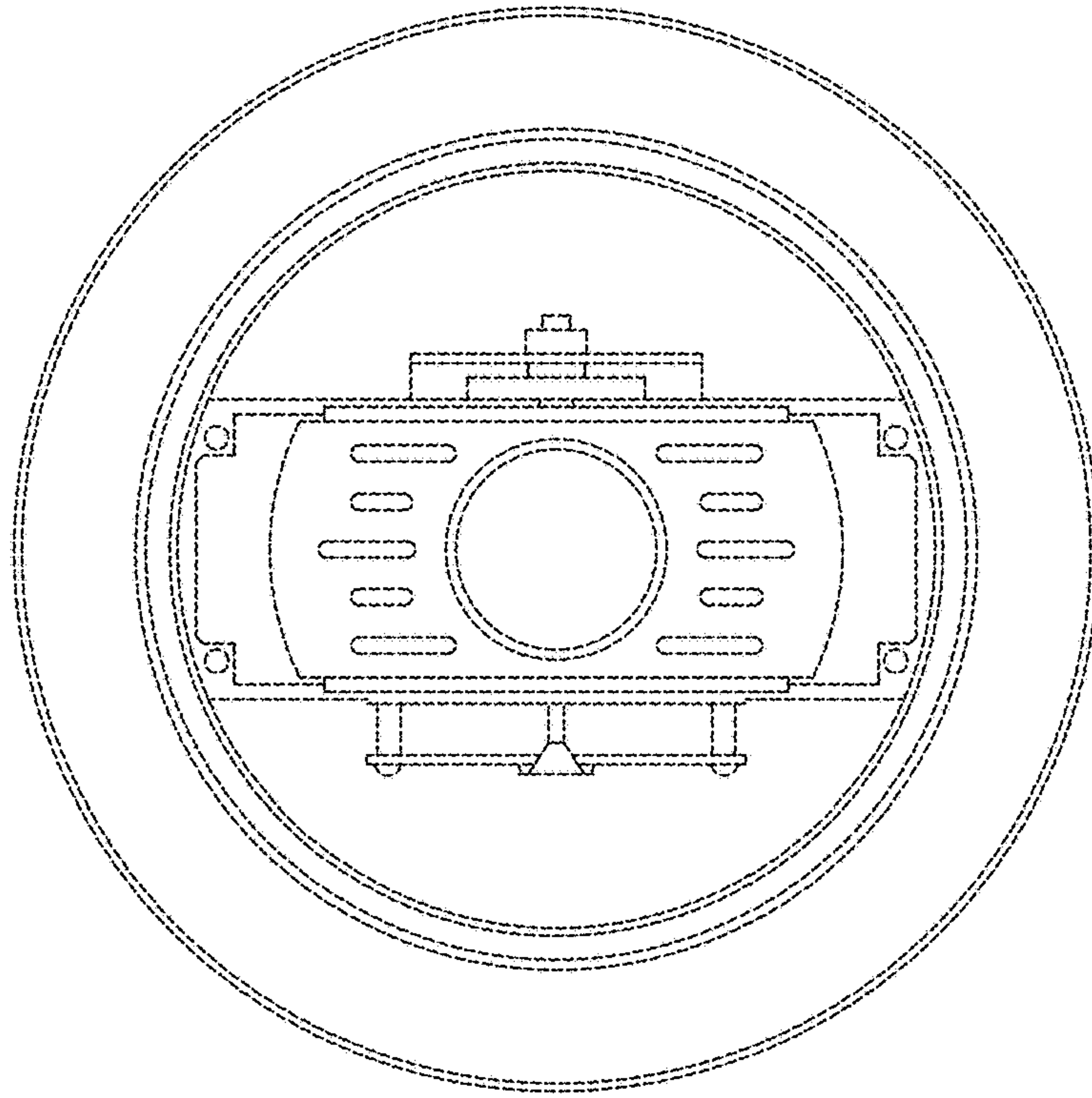


FIG. 6

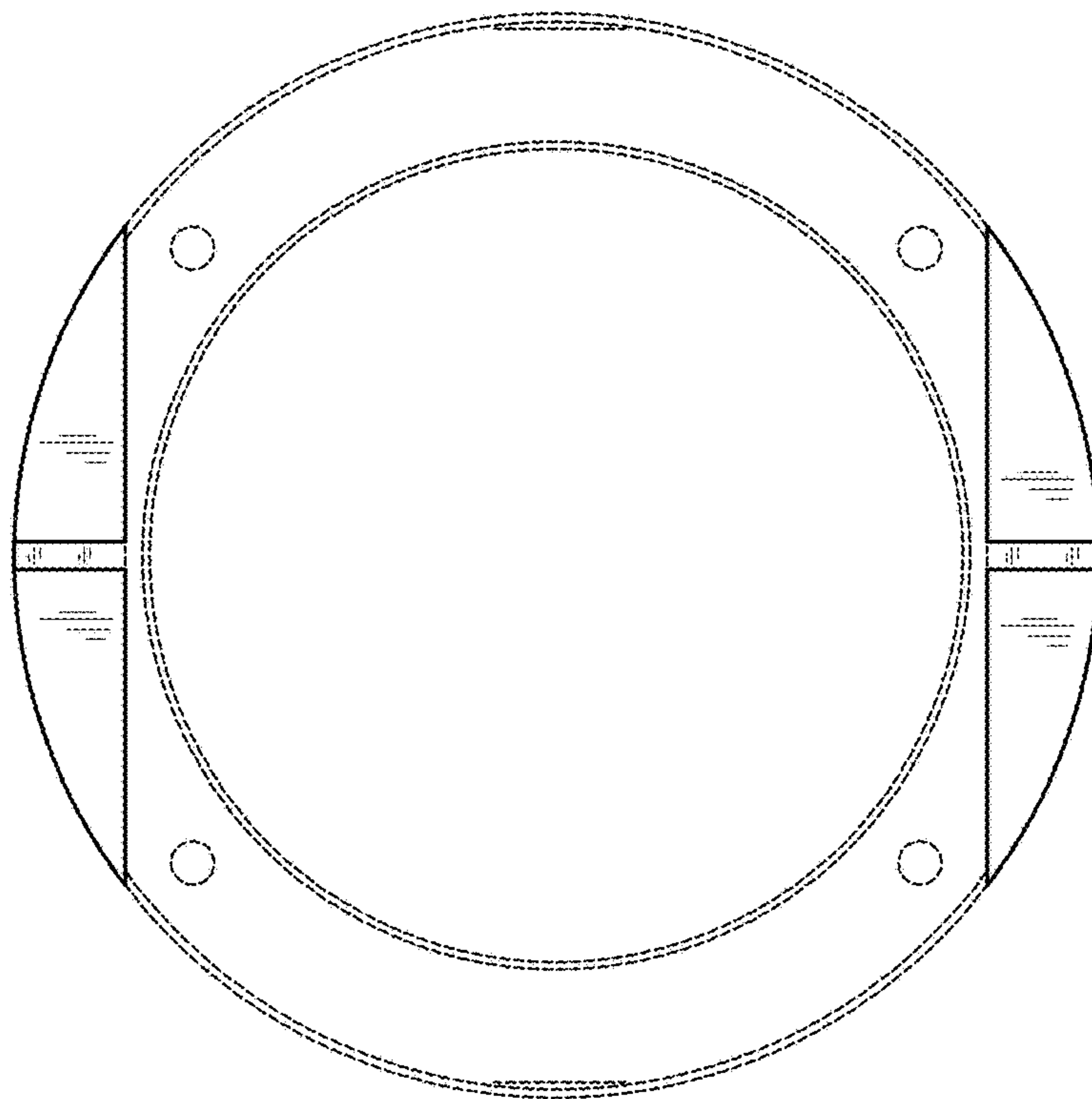


FIG. 7

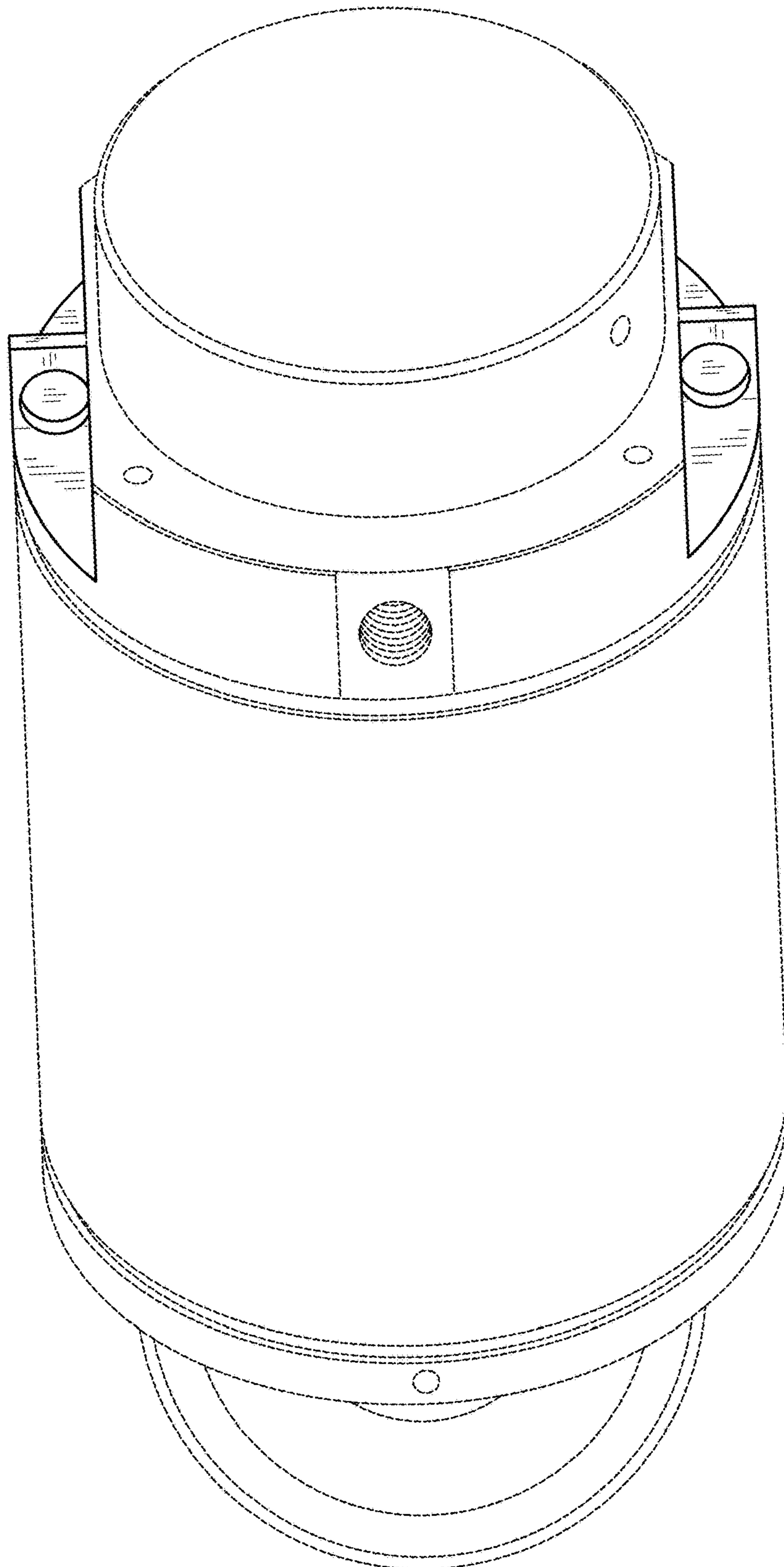


FIG.8