



US00D858610S

(12) **United States Design Patent**  
**Fang**

(10) **Patent No.:** **US D858,610 S**

(45) **Date of Patent:** **\*\* Sep. 3, 2019**

- (54) **DASH CAMERA**
- (71) Applicant: **Ming Fang**, Guangdong (CN)
- (72) Inventor: **Ming Fang**, Guangdong (CN)
- (73) Assignee: **Shenzhen Artswoods Smart Technology Co., Ltd**, Shenzhen, Guangdong (CN)
- (\*\*) Term: **15 Years**
- (21) Appl. No.: **29/619,429**
- (22) Filed: **Sep. 29, 2017**
- (51) **LOC (12) Cl.** ..... **16-01**
- (52) **U.S. Cl.**  
USPC ..... **D16/218**
- (58) **Field of Classification Search**  
USPC ..... D16/200, 202-206, 208-209, 212, 218, D16/219; 348/373-376; 396/448, 535, 396/539-541  
CPC ..... G03B 15/03; G03B 17/02; G03B 17/04; G03B 17/56; G03B 19/04; H04N 5/2251; H04N 5/2252; H04N 5/2253; H04N 5/2254; H04N 2101/00  
See application file for complete search history.

6,683,654	B1 *	1/2004	Haijima	.....	H04N 5/2252
					348/335
D524,347	S *	7/2006	Takahashi	.....	D16/202
D529,063	S *	9/2006	Cheng	.....	D16/203
7,221,402	B2 *	5/2007	Cheng	.....	H04N 5/2254
					348/375
D563,450	S *	3/2008	Cheng	.....	D16/200
D612,408	S *	3/2010	Yamakawa	.....	D16/203
D613,784	S *	4/2010	Wang	.....	D16/203
D633,543	S *	3/2011	Park	.....	D16/203
D732,100	S *	6/2015	Jeong	.....	D16/203
D739,888	S *	9/2015	Liang	.....	D16/203
D744,022	S *	11/2015	Petty	.....	D16/202

\* cited by examiner

*Primary Examiner* — Ramzi S Almatrahi

(57) **CLAIM**

The ornamental design for a dash camera, as shown and described.

**DESCRIPTION**

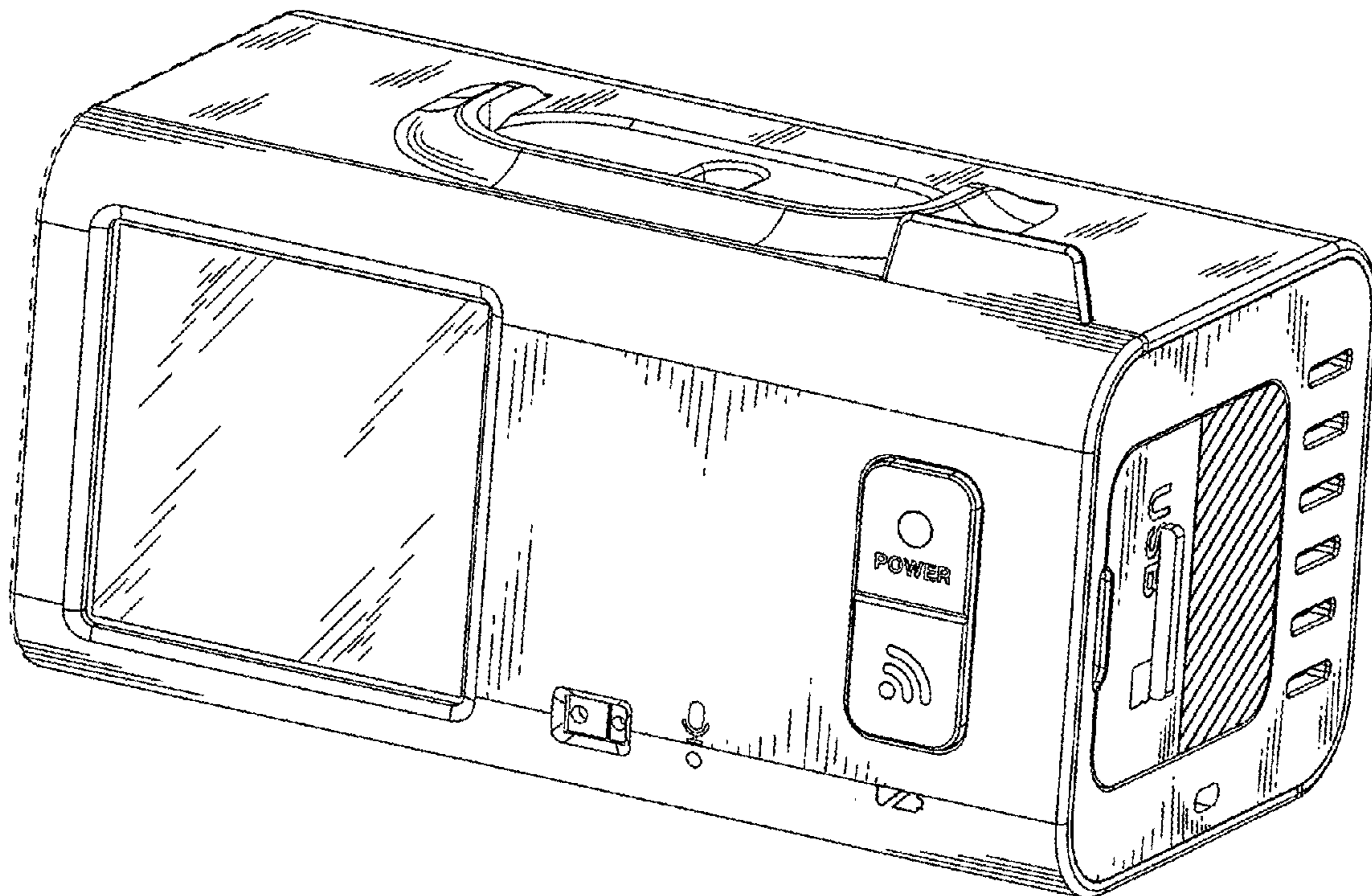
FIG. 1 is a perspective view of a dash camera showing my new design.  
 FIG. 2 is a front elevational view thereof;  
 FIG. 3 is a rear elevational view thereof;  
 FIG. 4 is a left side elevational view thereof;  
 FIG. 5 is a right side elevational view thereof;  
 FIG. 6 is a top plan view thereof; and,  
 FIG. 7 is a bottom plan view thereof.  
 The broken lines depict portions of the dash camera in which the design is embodied that form no part of the claimed design.

(56) **References Cited**

**U.S. PATENT DOCUMENTS**

- D366,271 S \* 1/1996 Hasegawa ..... D16/203
- D446,801 S \* 8/2001 Adachi ..... D16/203

**1 Claim, 7 Drawing Sheets**



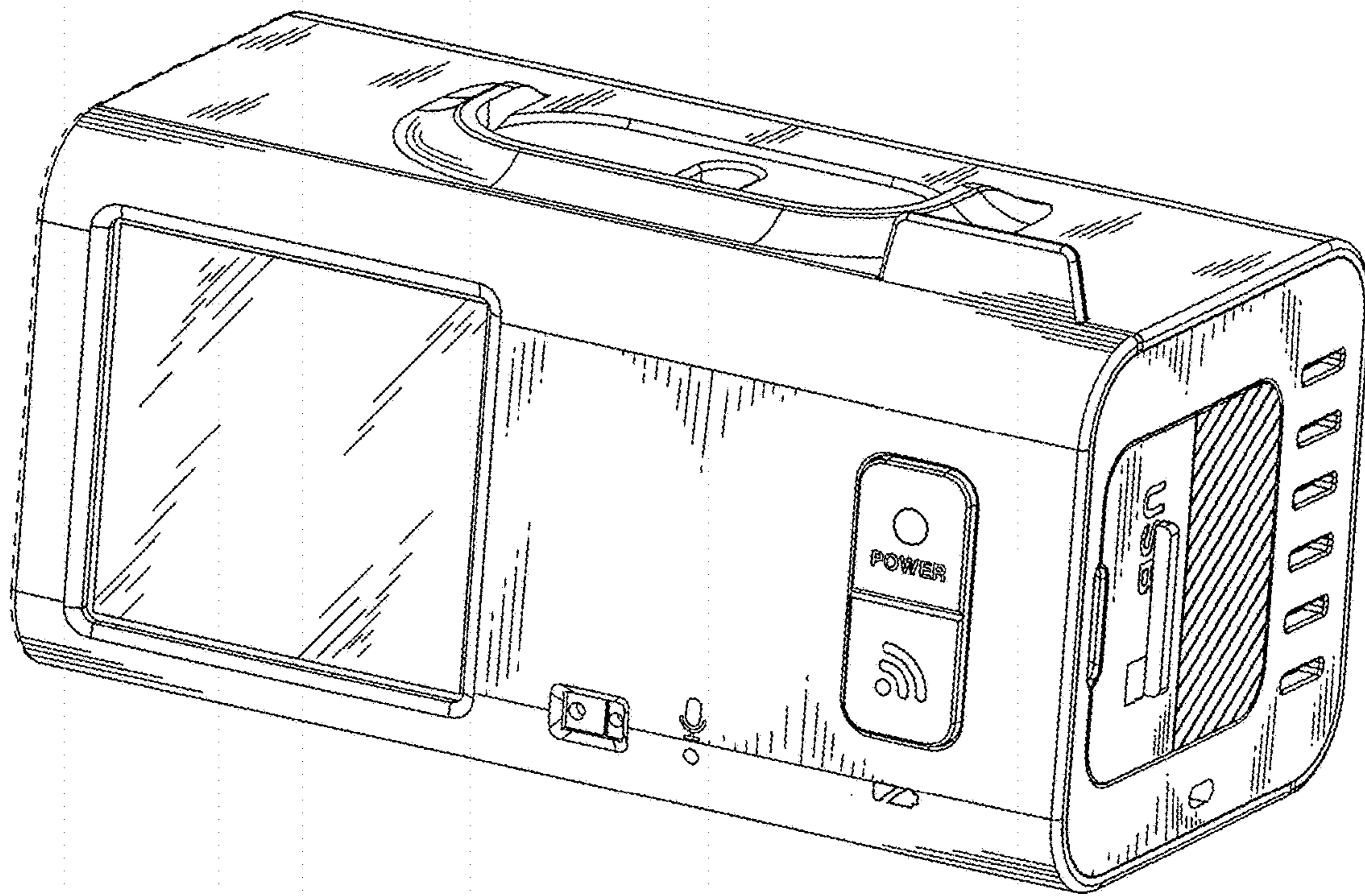


FIG. 1

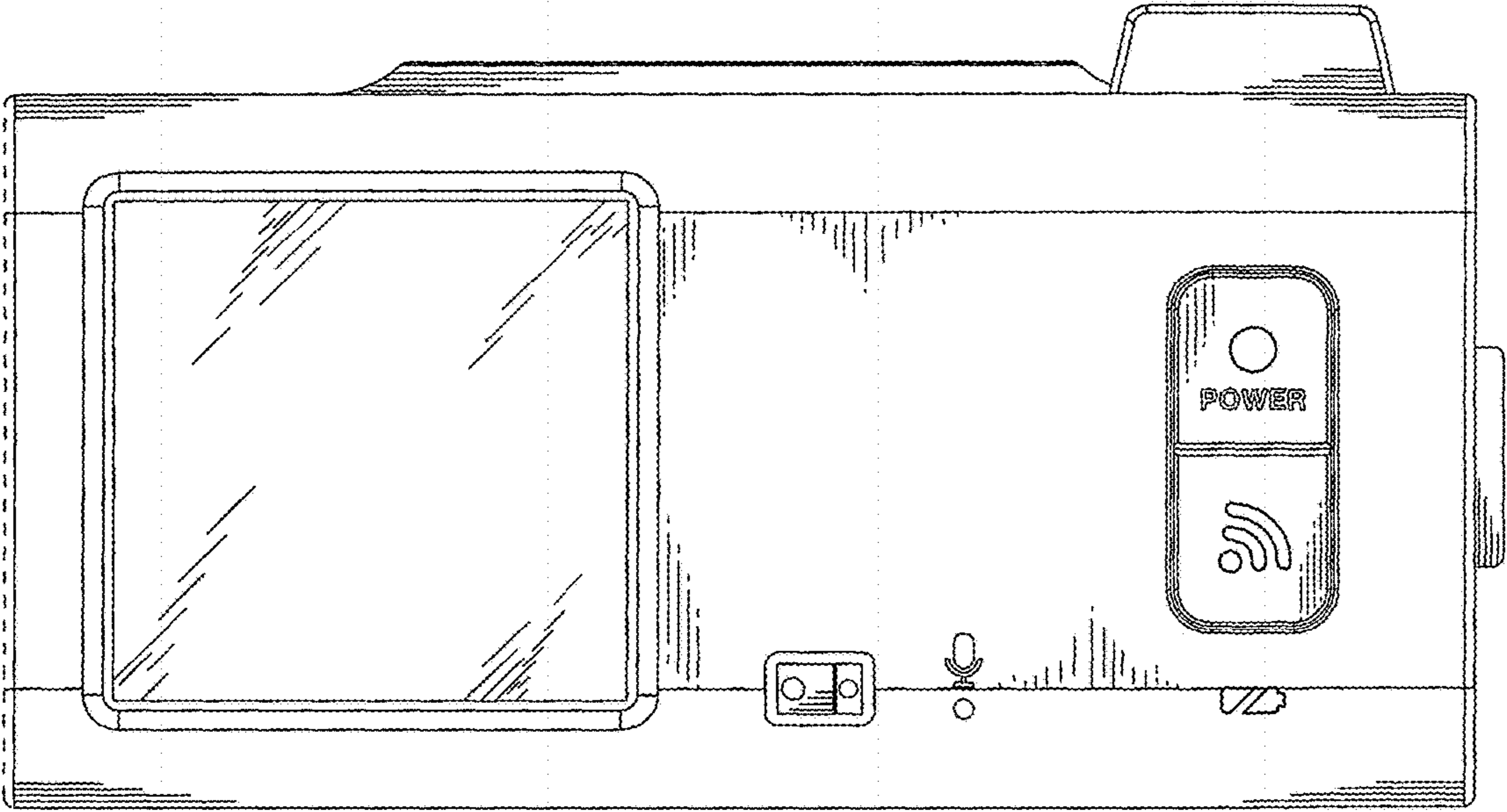


FIG. 2



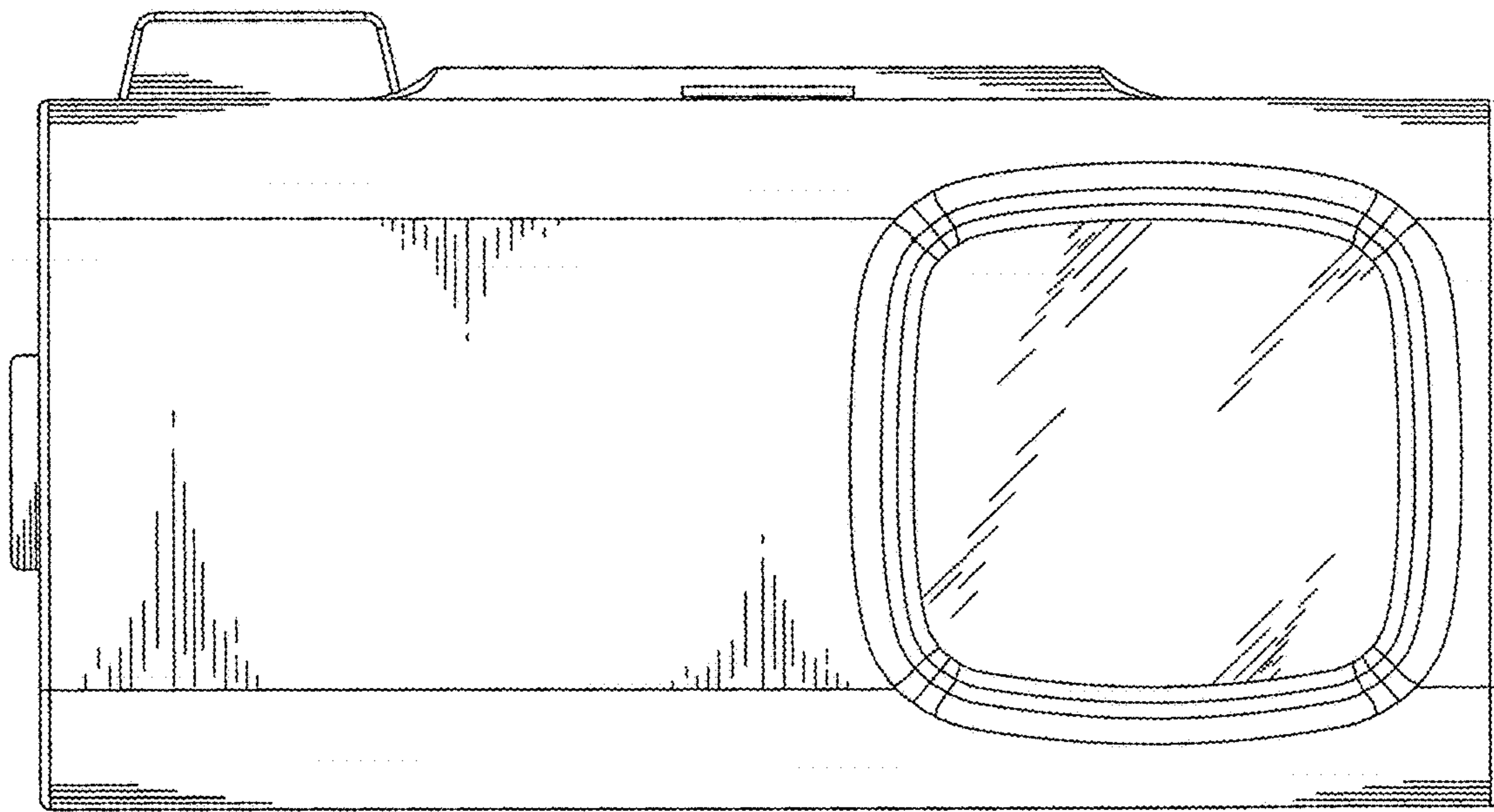


FIG. 3

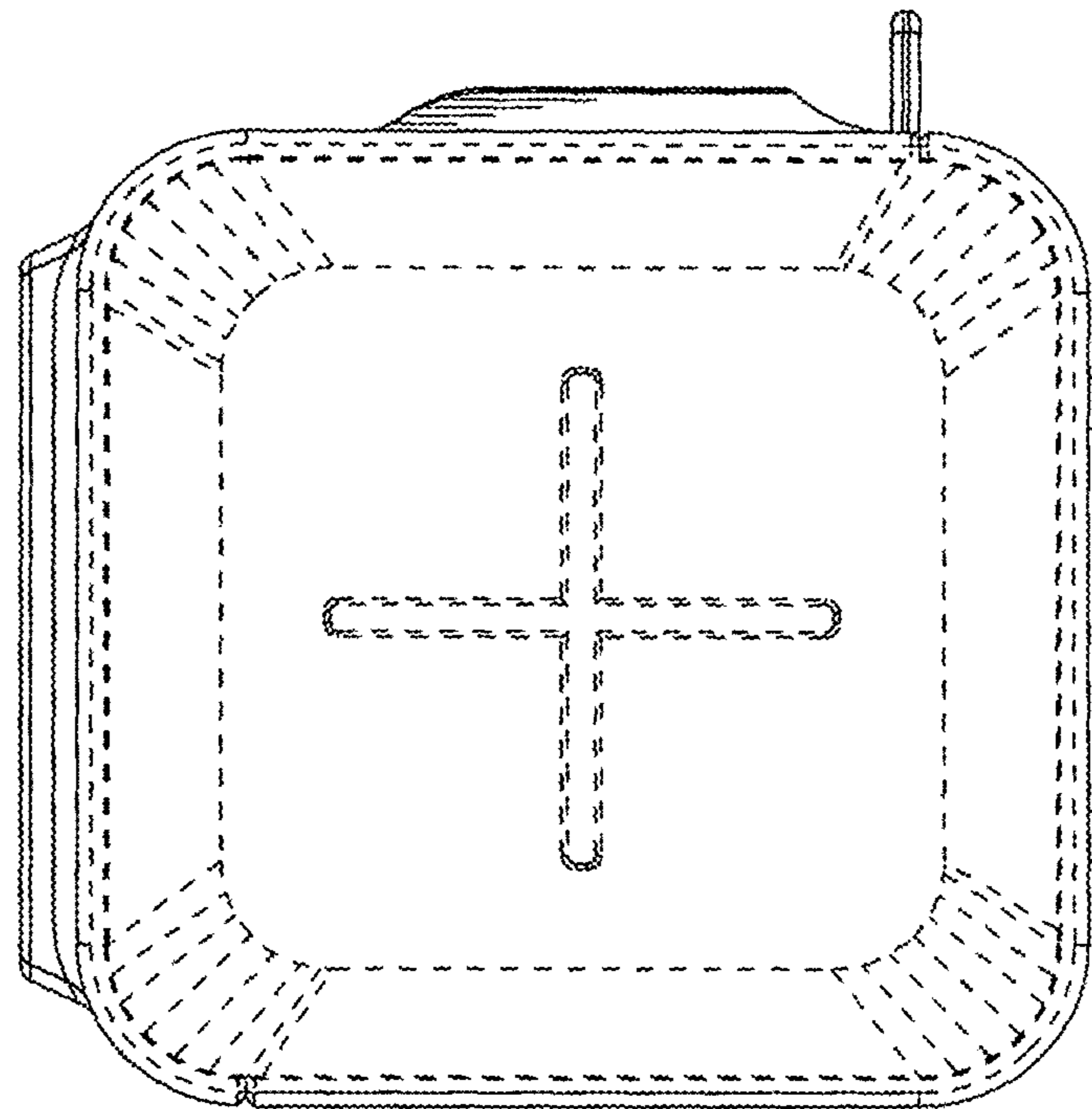


FIG. 4

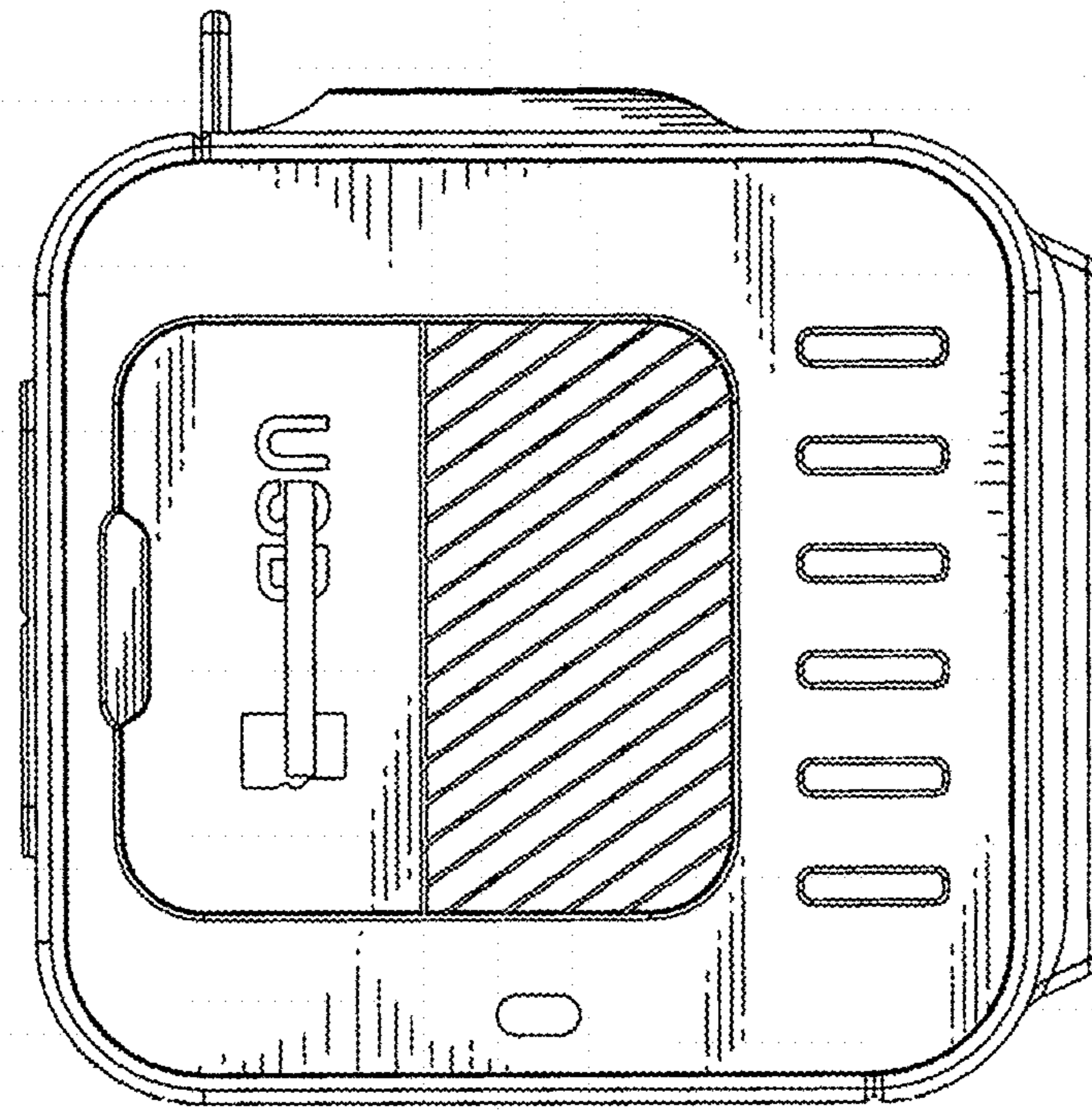


FIG. 5

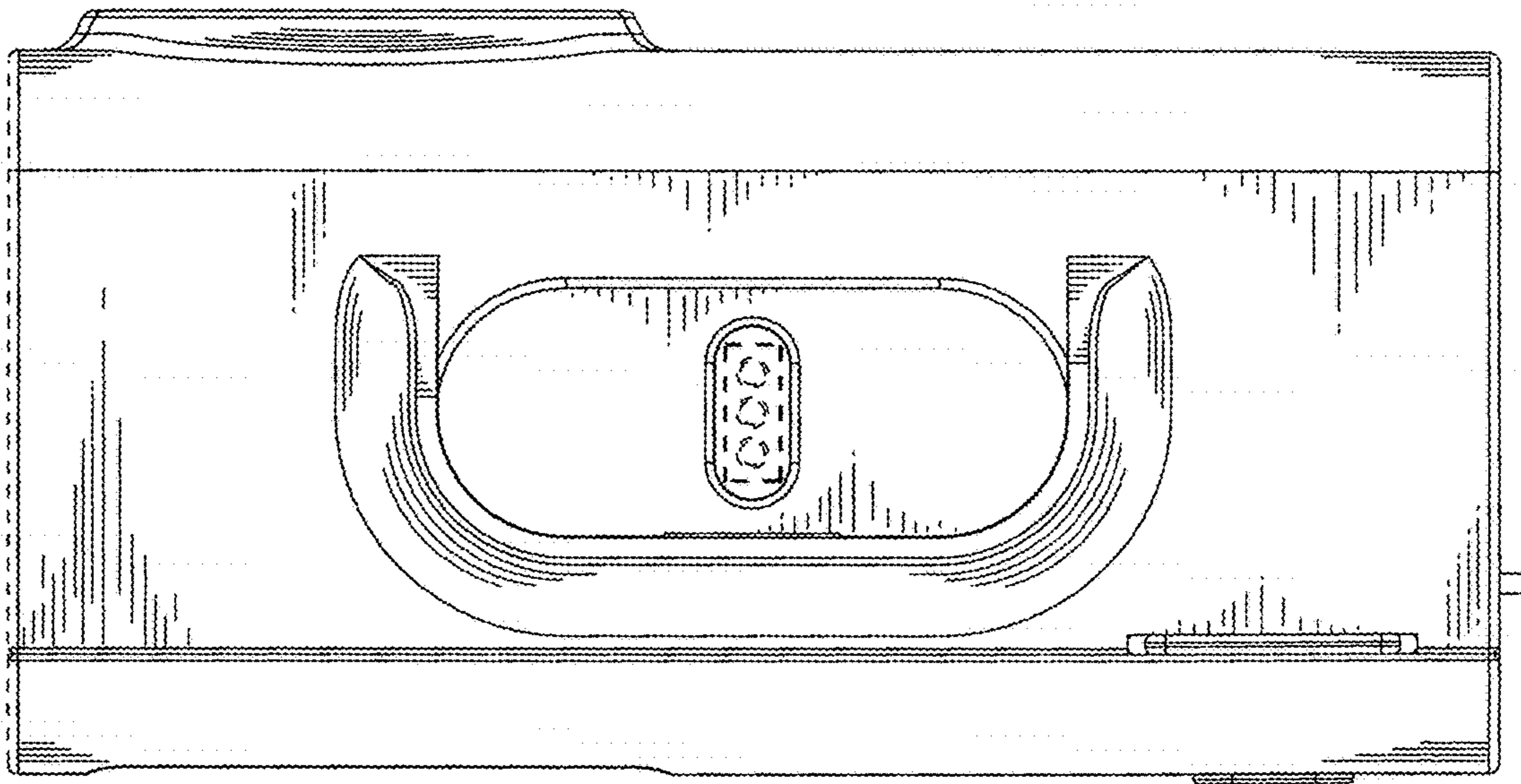


FIG. 6

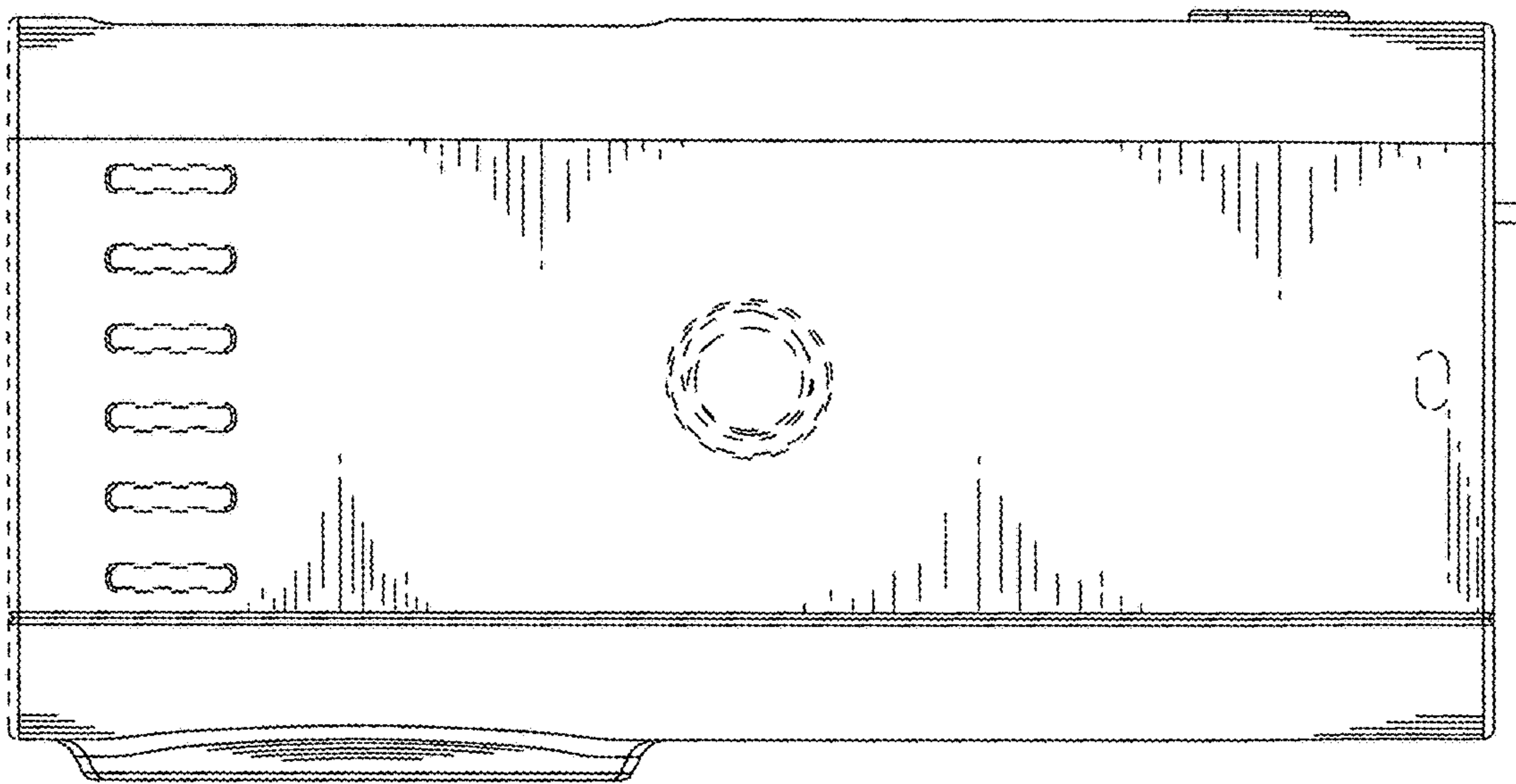


FIG. 7