



US00D858609S

(12) **United States Design Patent**
Meneses et al.

(10) **Patent No.:** **US D858,609 S**
(45) **Date of Patent:** **** Sep. 3, 2019**

(54) **CAMERA MODULE**

(71) Applicant: **Motorola Mobility LLC**, Chicago, IL (US)

(72) Inventors: **Ricardo Eduardo Hugo Flores Meneses**, Chicago, IL (US); **Mark Zaveson**, Antioch, IL (US); **Steve Emmert**, McHenry, IL (US)

(73) Assignee: **Motorola Mobility LLC**, Chicago, IL (US)

(**) Term: **15 Years**

(21) Appl. No.: **29/610,759**

(22) Filed: **Jul. 14, 2017**

(51) **LOC (12) Cl.** **16-01**

(52) **U.S. Cl.**
USPC **D16/218**; D16/208

(58) **Field of Classification Search**
USPC D16/134, 136, 200, 202–206, 208, 218, D16/219, 237, 242; D14/203.3, 203.4, D14/250, 345, 440, 449; 348/373–376; 396/535, 539–541
CPC G03B 15/03; G03B 17/02; G03B 17/04; G03B 17/56; G03B 19/04; H04N 5/2251; H04N 5/2252; H04N 5/2253; H04N 5/2254; H04N 2101/00

See application file for complete search history.

(56) **References Cited**

U.S. PATENT DOCUMENTS

D389,500 S * 1/1998 Krekelberg D16/202
D544,513 S * 6/2007 Hayashi D16/202

8,279,544 B1 * 10/2012 O'Neill G02B 7/14
359/827
D678,379 S * 3/2013 O'Neill D14/511
D697,958 S * 1/2014 O'Neill D16/134
D732,594 S * 6/2015 Kawa D16/202
D748,615 S * 2/2016 Lee D14/251
9,294,660 B2 * 3/2016 O'Neill H04N 5/2254
9,454,066 B2 * 9/2016 O'Neill G03B 17/565
D782,455 S * 3/2017 Kim D14/248
2005/0012853 A1 * 1/2005 Wang H04N 1/00204
348/376
2013/0107109 A1 * 5/2013 Yang G06F 1/1632
348/373

* cited by examiner

Primary Examiner — Ramzi S Almatrahi

(74) *Attorney, Agent, or Firm* — Kunzler Bean & Adamson

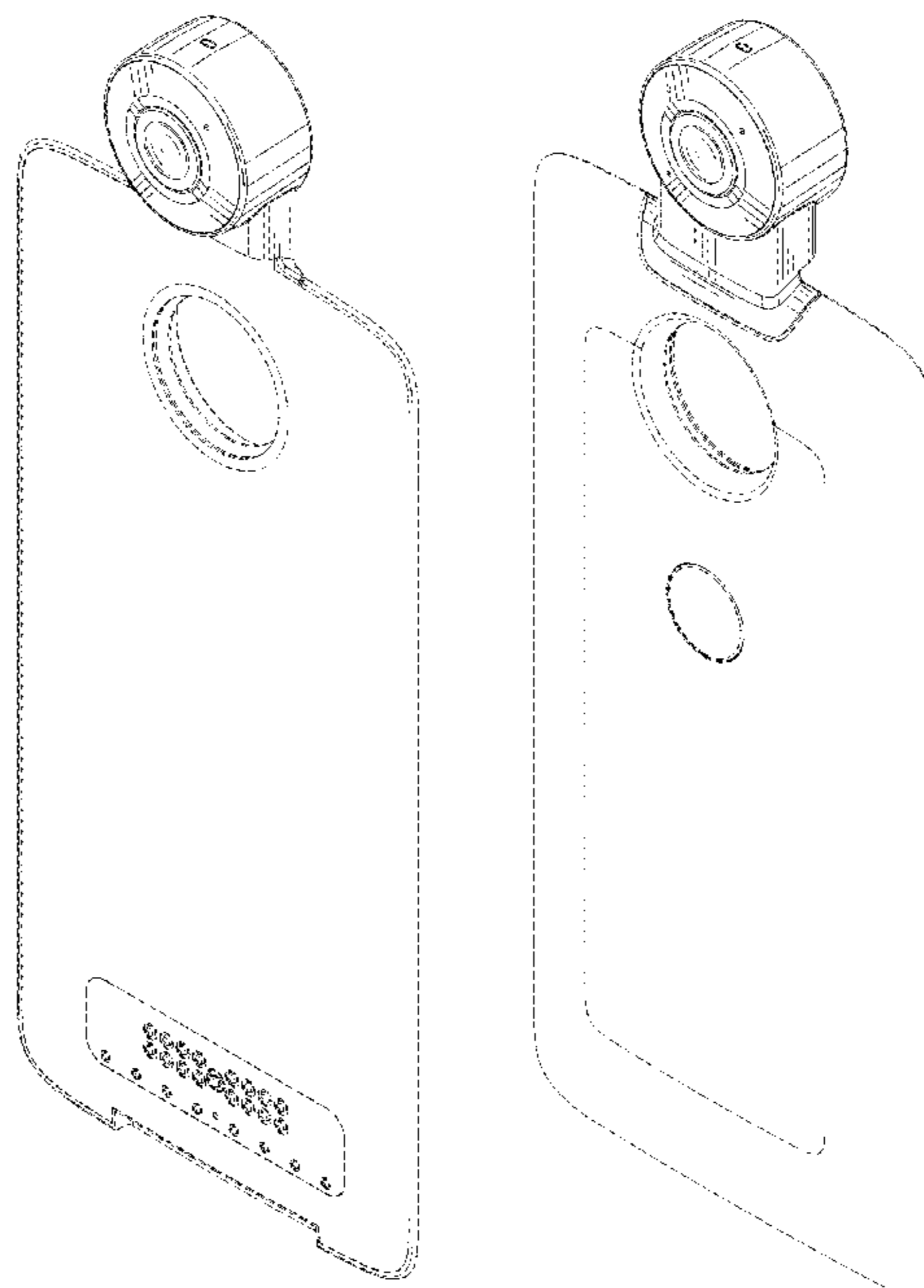
(57) **CLAIM**

The ornamental design for a camera module, as shown and described.

DESCRIPTION

FIG. 1 is a rear perspective view of a camera module showing our new design;
FIG. 2 is a front perspective view thereof;
FIG. 3 is a rear elevation view thereof;
FIG. 4 is a front elevation view thereof;
FIG. 5 is a first side elevation view thereof;
FIG. 6 is a second side elevation view thereof;
FIG. 7 is a top plan view thereof; and,
FIG. 8 is a bottom plan view thereof.
The broken lines depict portions of the camera module in which the design is embodied that form no part of the claimed design.

1 Claim, 6 Drawing Sheets



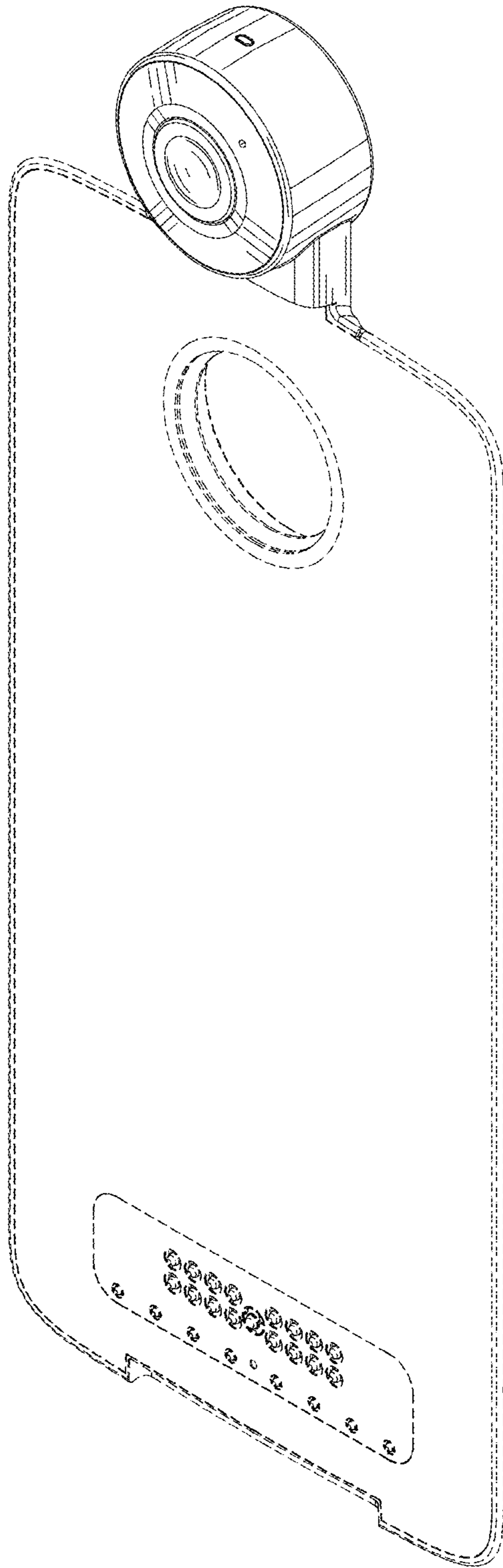


FIG. 1

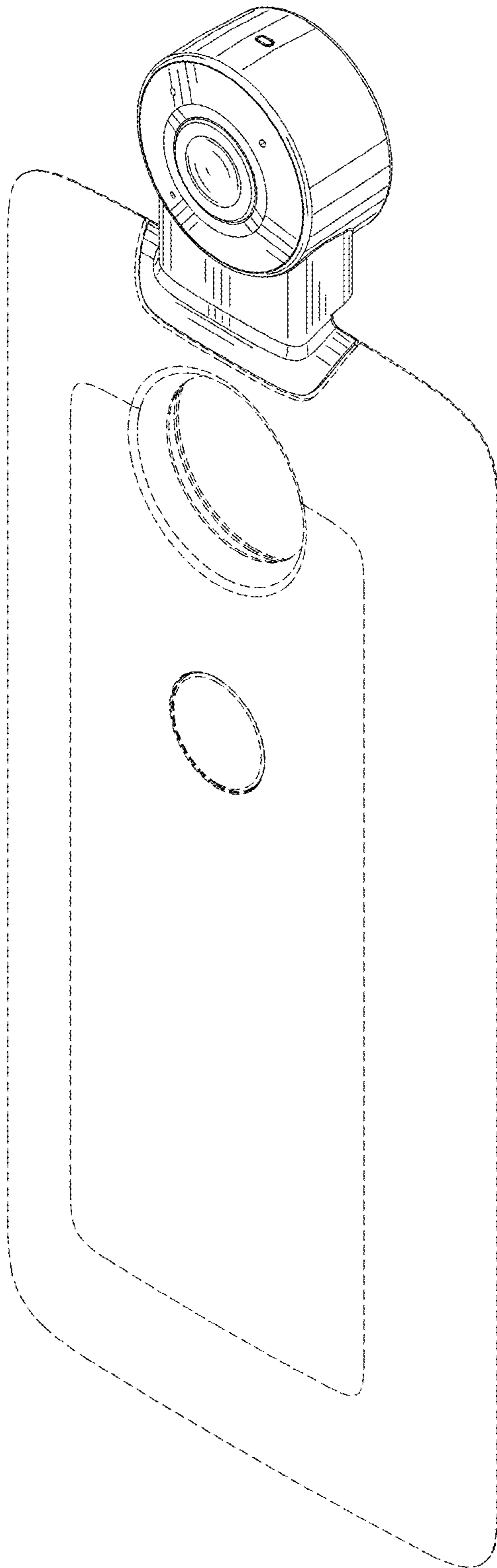


FIG. 2

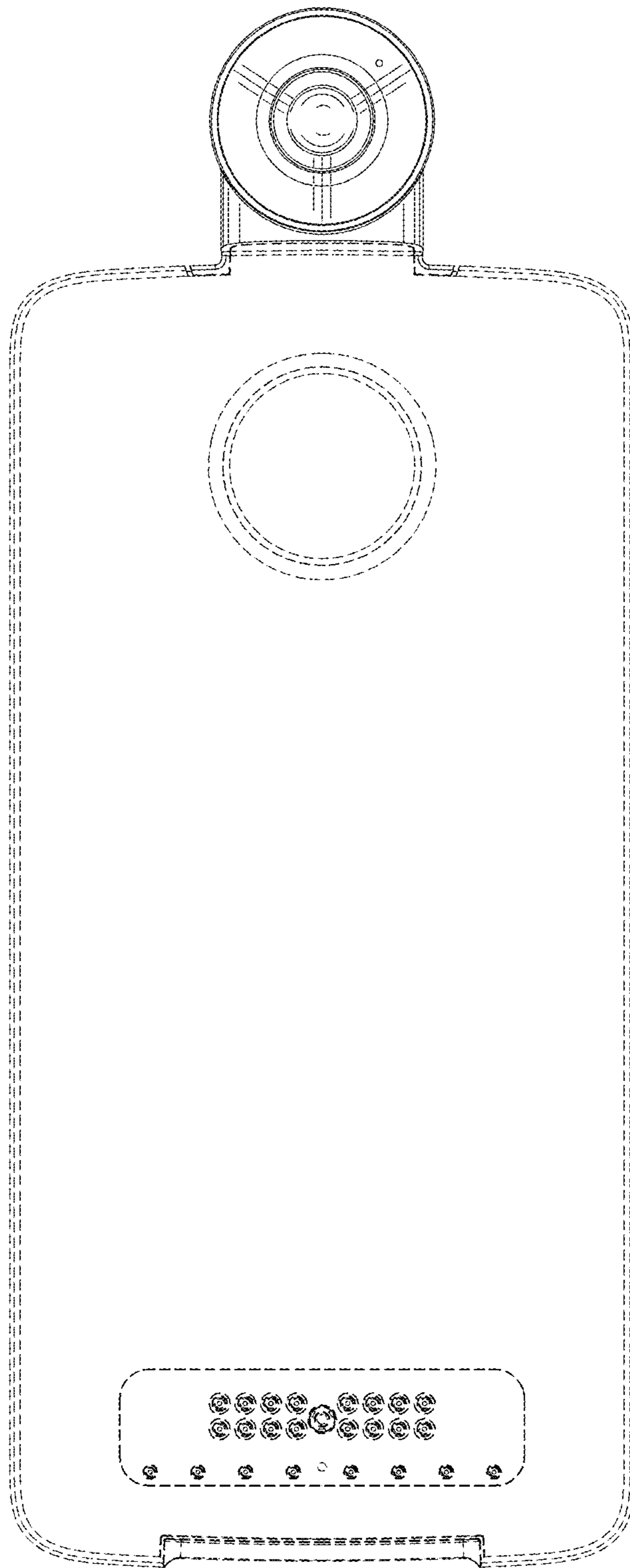


FIG. 3

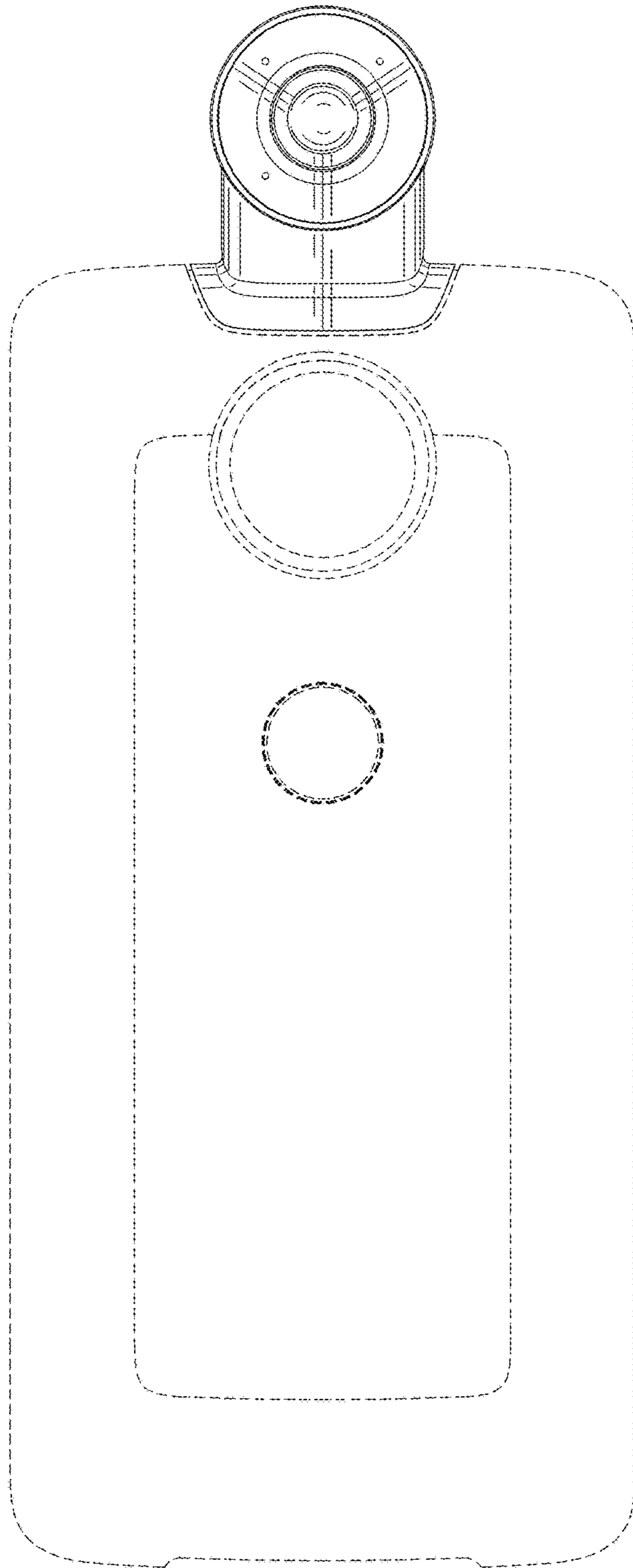


FIG. 4

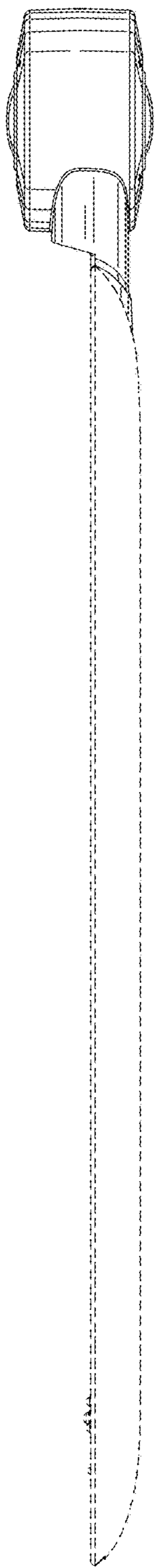


FIG. 5

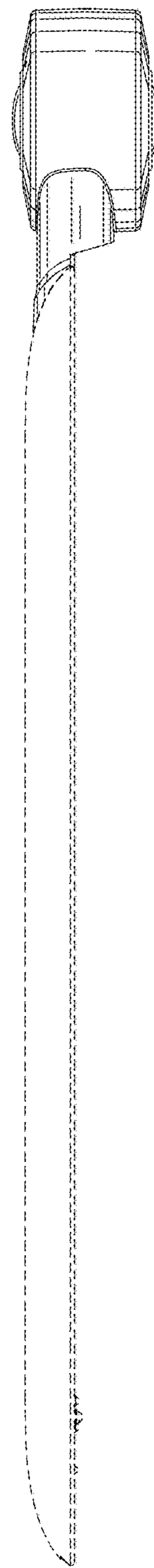


FIG. 6

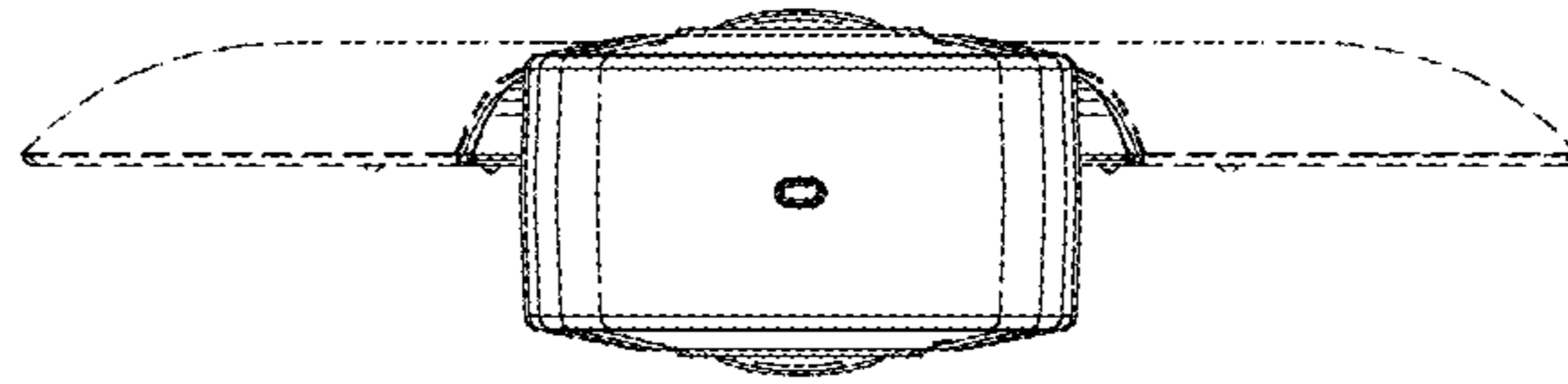


FIG. 7

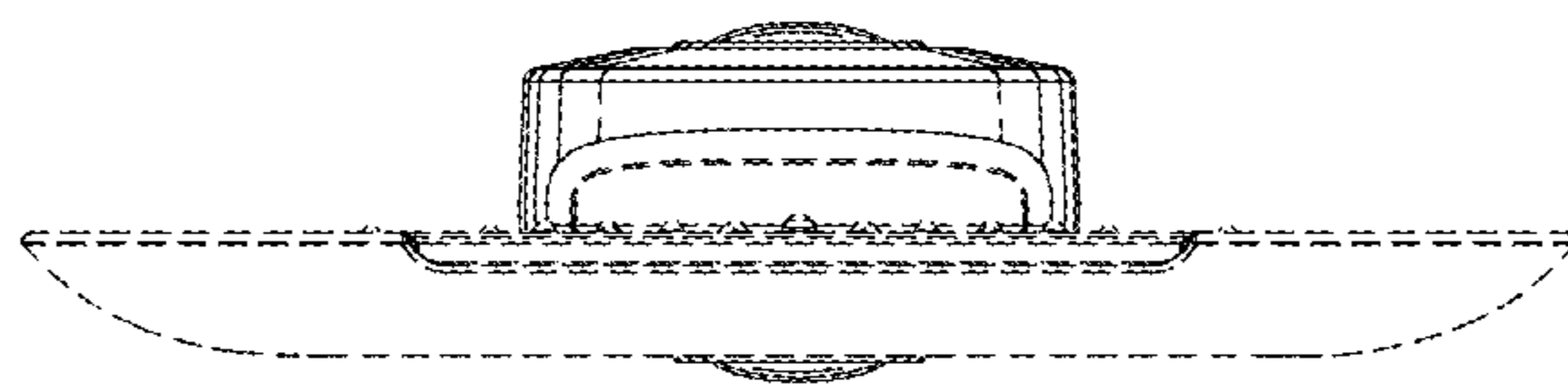


FIG. 8