



US00D858606S

(12) **United States Design Patent** (10) **Patent No.:** **US D858,606 S**
Siminoff et al. (45) **Date of Patent:** **** Sep. 3, 2019**

- (54) **SECURITY CAMERA**
- (71) Applicant: **AMAZON TECHNOLOGIES, INC.**,
Seattle, WA (US)
- (72) Inventors: **Mark Siminoff**, Mountain View, CA
(US); **Christopher Loew**, Palo Alto,
CA (US); **Matthew J. England**, Santa
Monica, CA (US)
- (73) Assignee: **Amazon Technologies, Inc.**, Seattle,
WA (US)
- (**) Term: **15 Years**
- (21) Appl. No.: **29/665,097**
- (22) Filed: **Sep. 30, 2018**

Related U.S. Application Data

- (63) Continuation of application No. 29/658,140, filed on
Jul. 27, 2018.
- (51) **LOC (12) Cl.** **16-01**
- (52) **U.S. Cl.**
USPC **D16/203**
- (58) **Field of Classification Search**
USPC D16/200, 202–206, 208, 218, 219, 242;
348/143, 148, 151, 373–376; 396/419,
396/427, 535, 539–541
CPC G03B 17/02; G03B 19/04; G03B 17/56;
G03B 17/04; G03B 15/03; H04N 5/2251;
H04N 5/2252; H04N 5/2253; H04N
5/2254; H04N 7/181; H04N 7/183; H04N
7/18; G08B 13/1963; G08B 13/19619;
G08B 13/19632; F16M 11/04; F16M
13/00
See application file for complete search history.

(56) **References Cited**

U.S. PATENT DOCUMENTS

- D349,714 S * 8/1994 Hasegawa D16/203
- D518,080 S * 3/2006 Uehara D16/202

- D701,893 S * 4/2014 Bart D16/203
- D747,383 S * 1/2016 Li D16/203
- D781,361 S * 3/2017 Dimitriadis D16/203
- D795,941 S * 8/2017 Dimitriadis D16/203
- D798,935 S * 10/2017 Dimitriadis D16/203
- D810,169 S * 2/2018 Bhattacharya D16/203

(Continued)

Primary Examiner — Ramzi S Almatrahi
(74) *Attorney, Agent, or Firm* — Lathrop Gage LLP

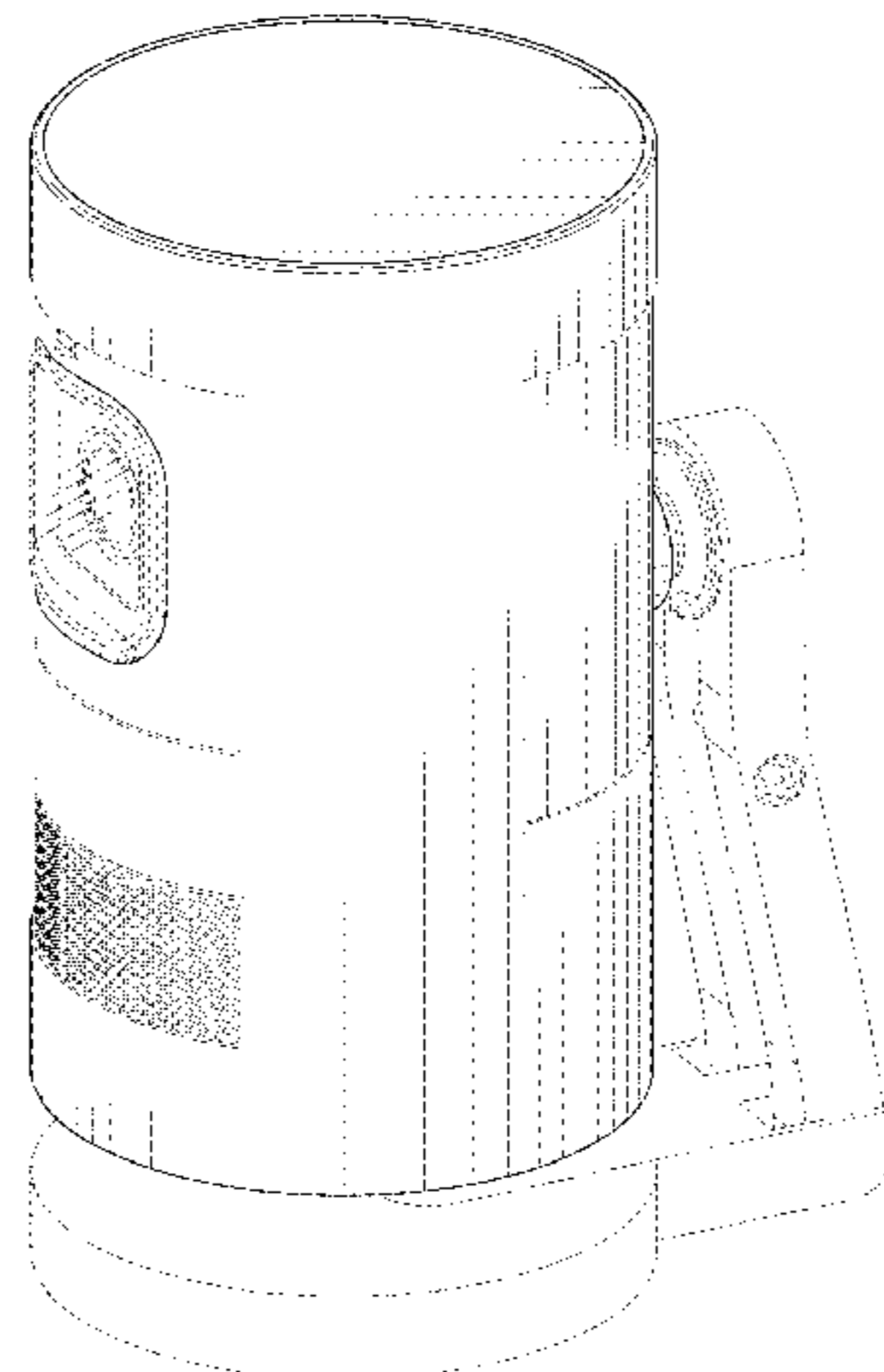
(57) **CLAIM**

The ornamental design for a security camera, as shown and described.

DESCRIPTION

FIG. 1 is a front perspective view of a security camera according to the present design with the stand of the security camera in a first configuration;
 FIG. 2 is a front elevational view of the security camera of FIG. 1;
 FIG. 3 is a rear elevational view of the security camera of FIG. 1;
 FIG. 4 is a left-side elevational view of the security camera of FIG. 1;
 FIG. 5 is a right-side elevational view of the security camera of FIG. 1;
 FIG. 6 is a top plan view of the security camera of FIG. 1;
 FIG. 7 is a bottom plan view of the security camera of FIG. 1;
 FIG. 8 is a front perspective view of the security camera according to the present design with the stand of the security camera in a second configuration; and,
 FIG. 9 is a rear elevational view of the security camera according to the present design with the stand of the security camera in the second configuration of FIG. 8.
 The broken lines depict portions of the security camera in which the design is embodied that form no part of the claimed design.

1 Claim, 8 Drawing Sheets



(56)

References Cited

U.S. PATENT DOCUMENTS

D818,515 S	*	5/2018	Laurans	D16/203
D821,477 S	*	6/2018	Moon	D16/203
D832,329 S	*	10/2018	Li	D16/203
D834,631 S	*	11/2018	Park	D16/203
D842,358 S	*	3/2019	Puric	D16/203

* cited by examiner

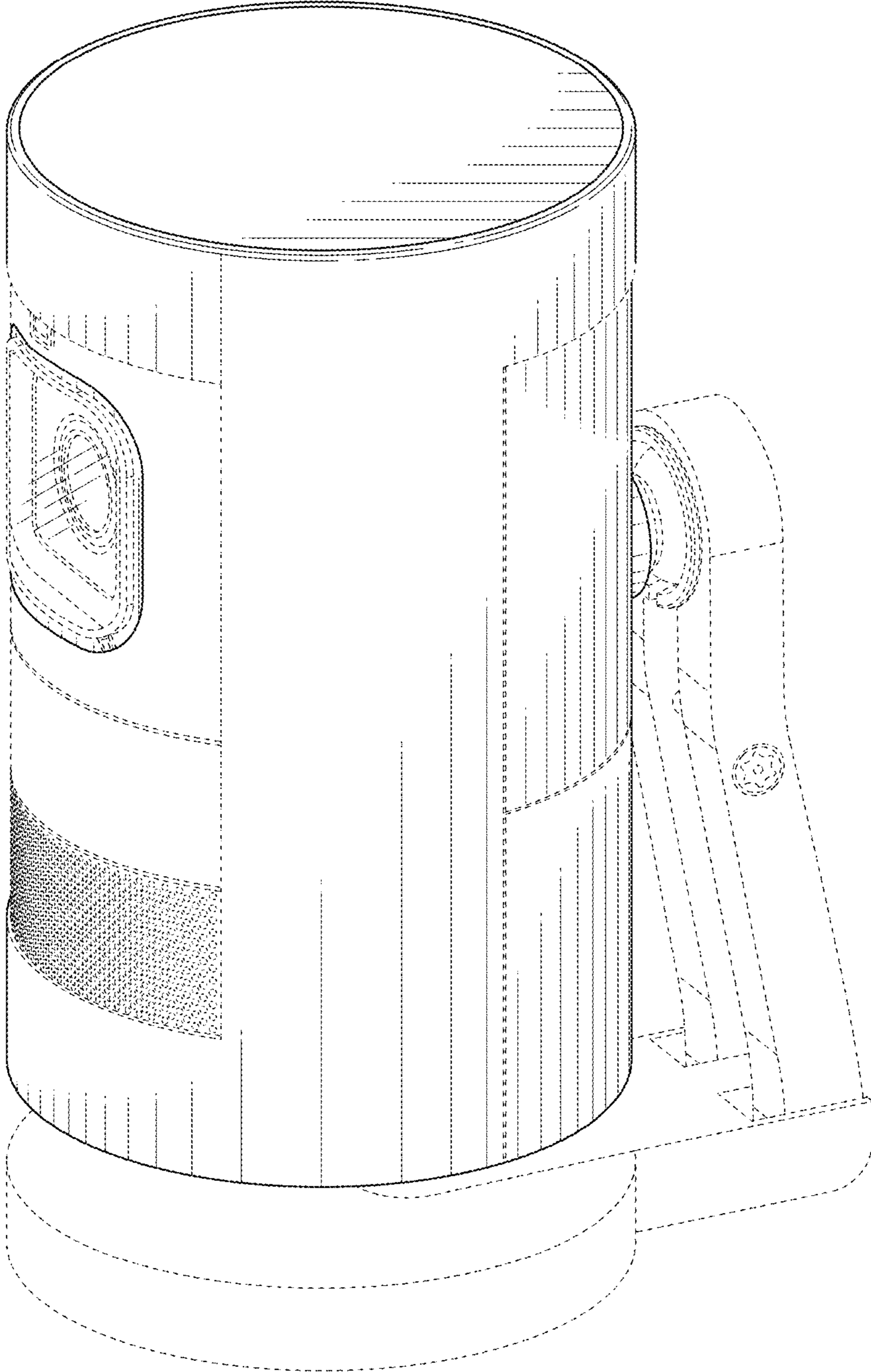


FIG. 1

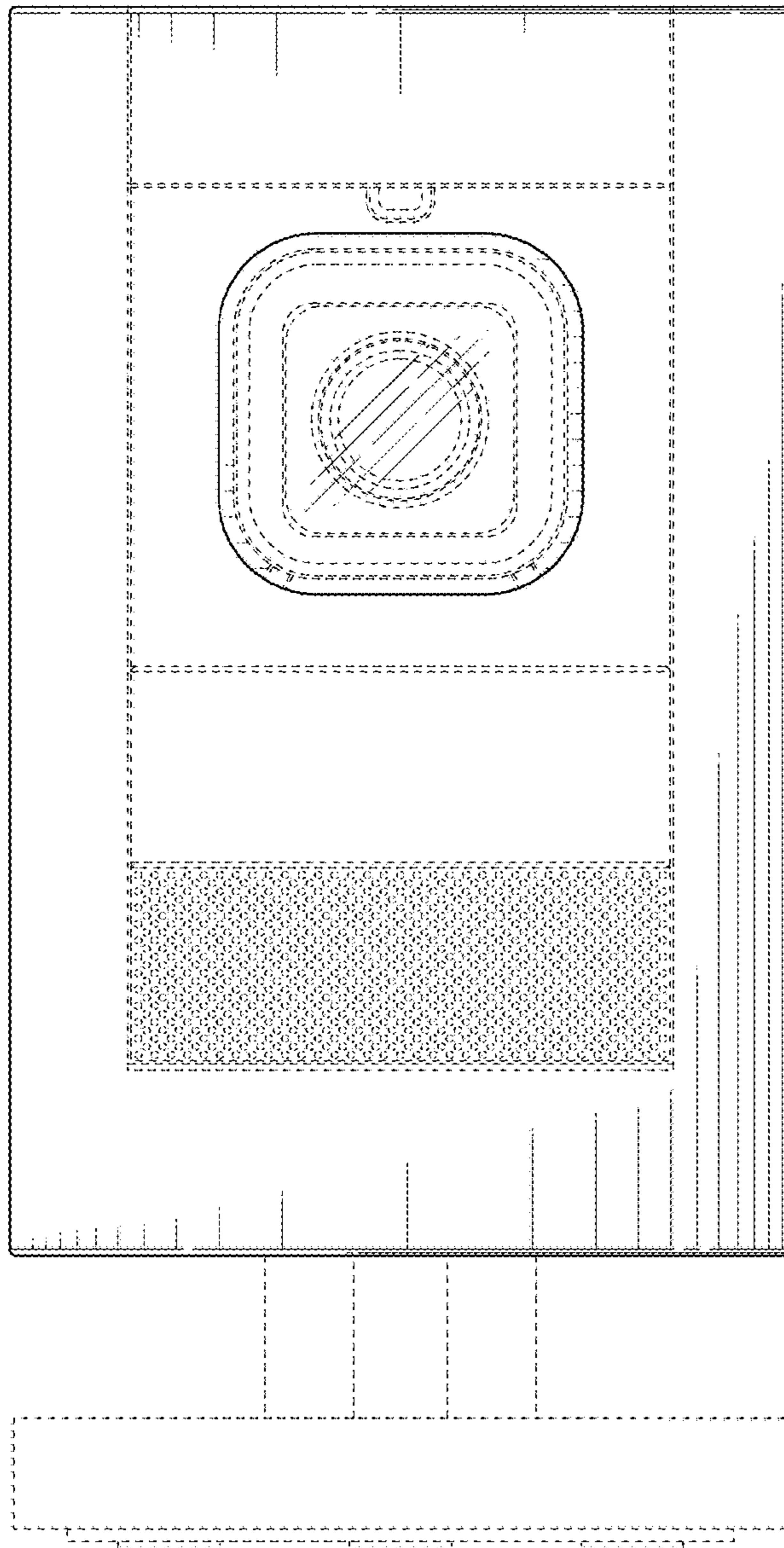


FIG. 2

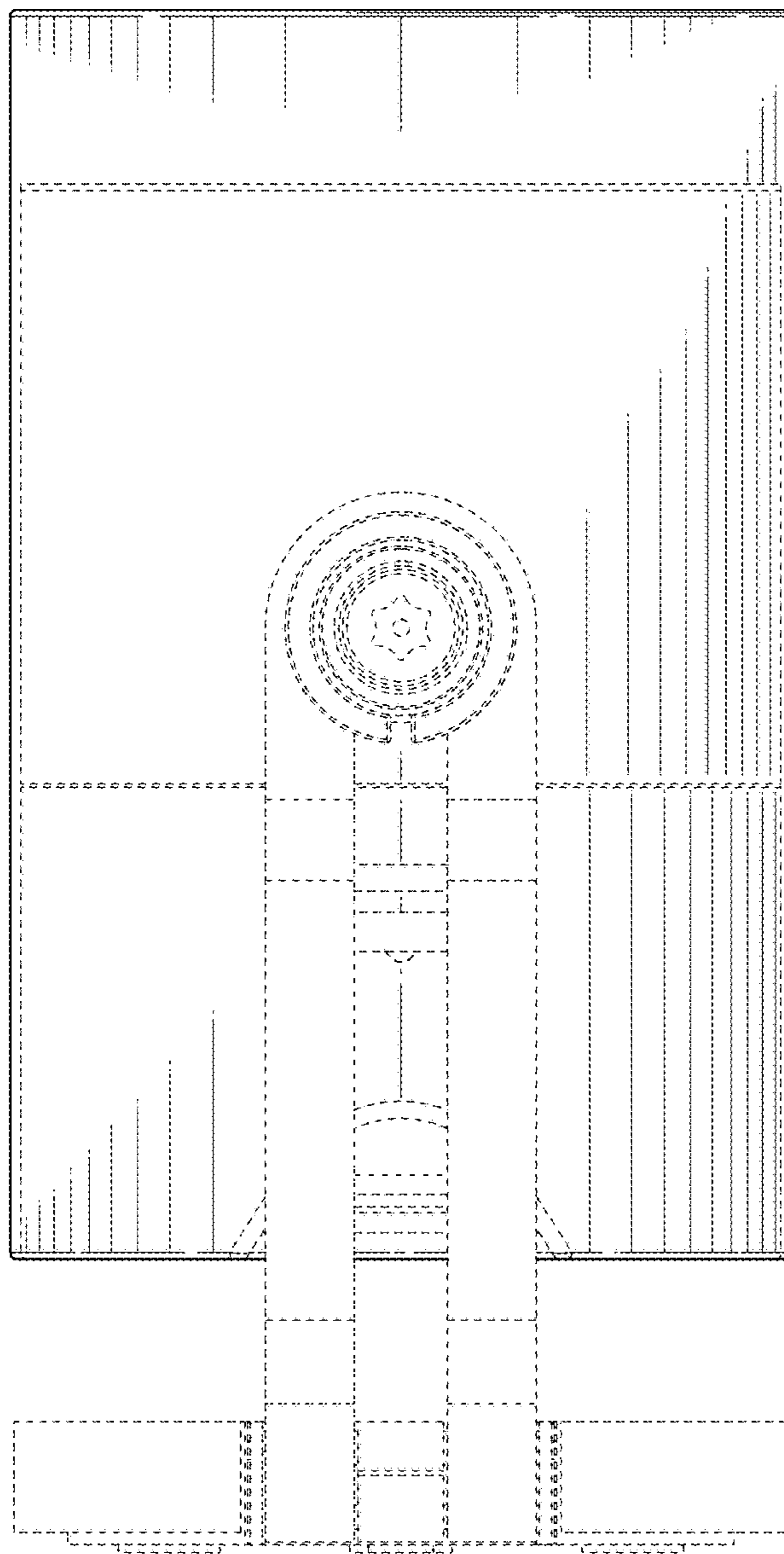


FIG. 3

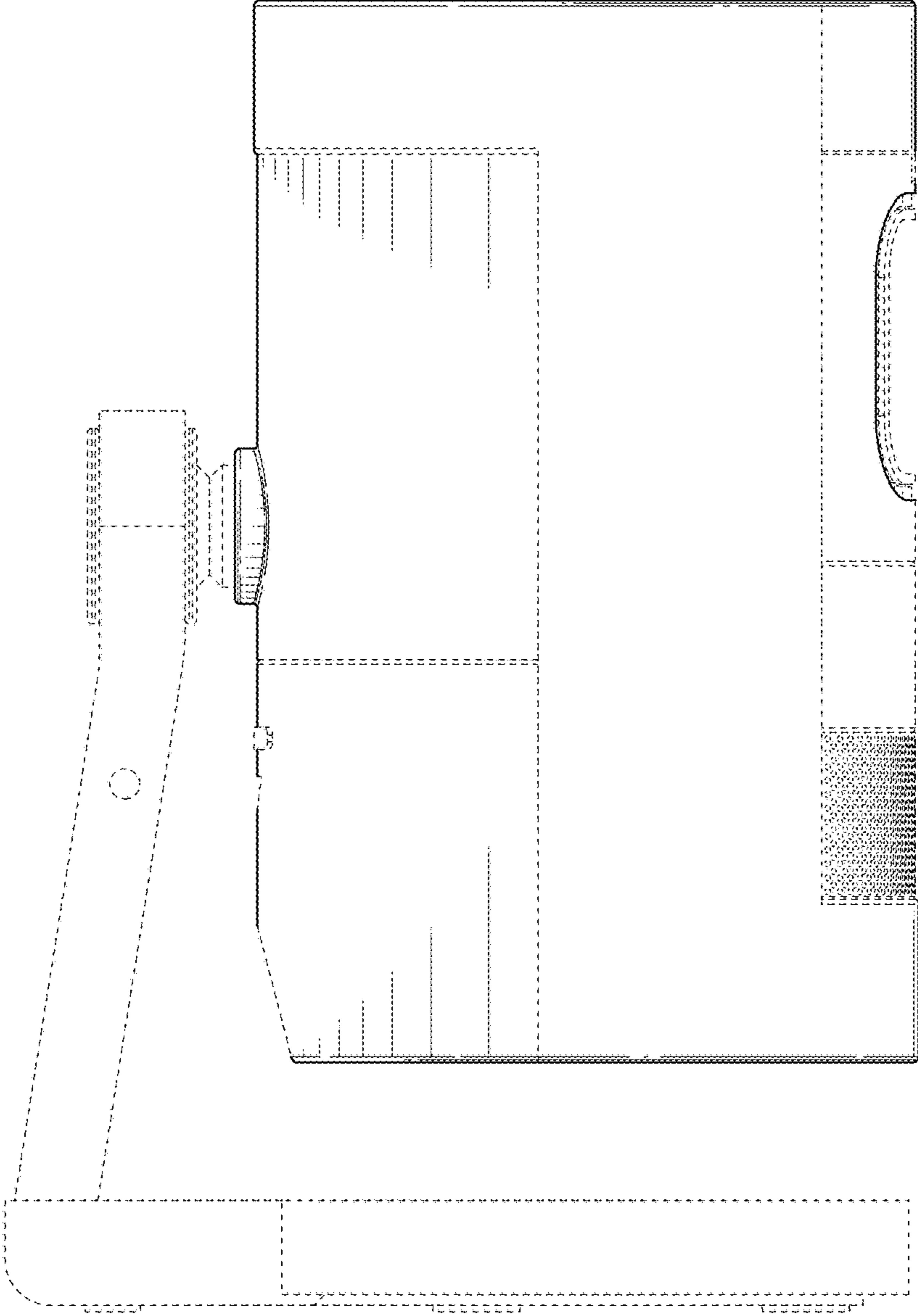


FIG. 4

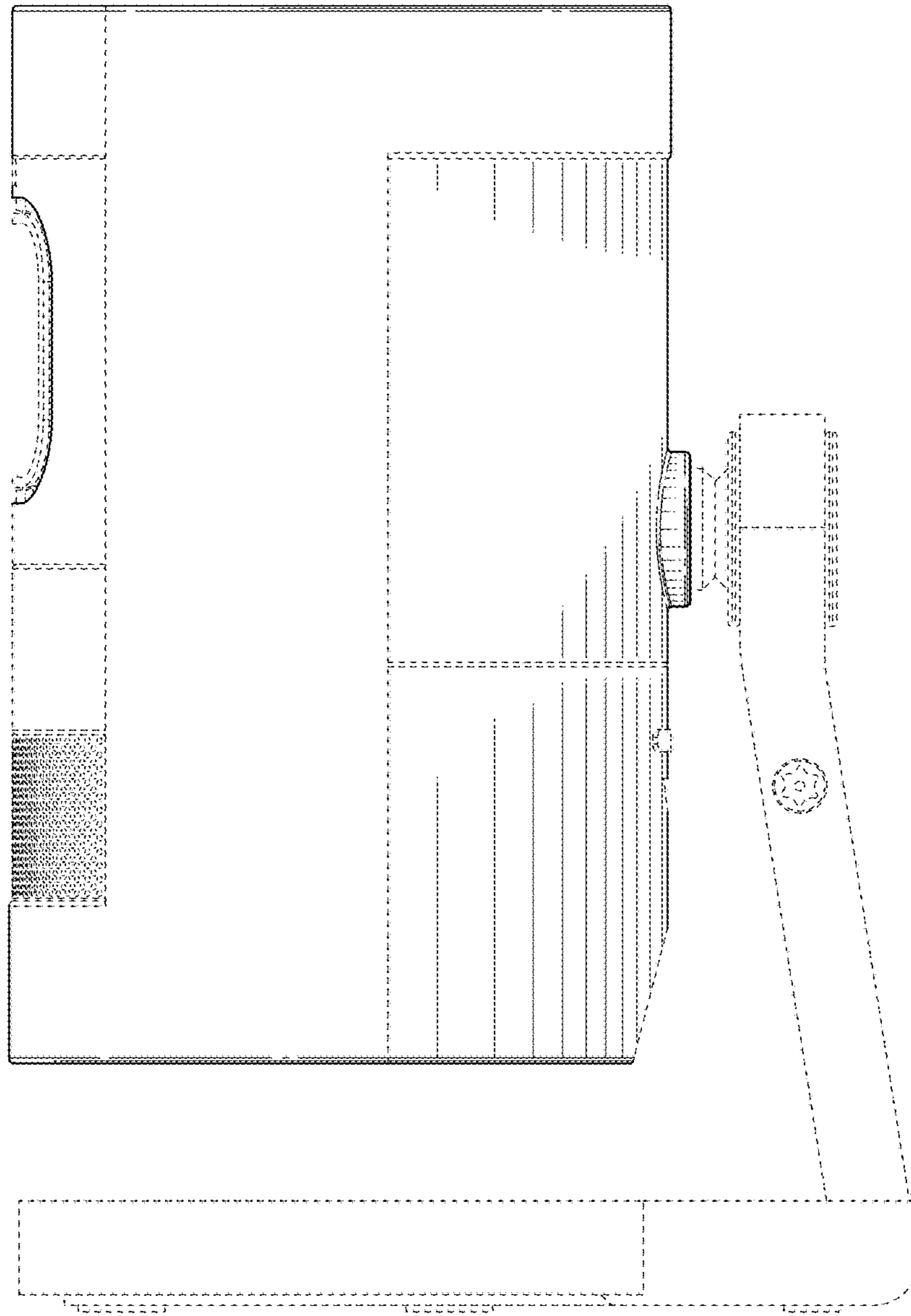


FIG. 5

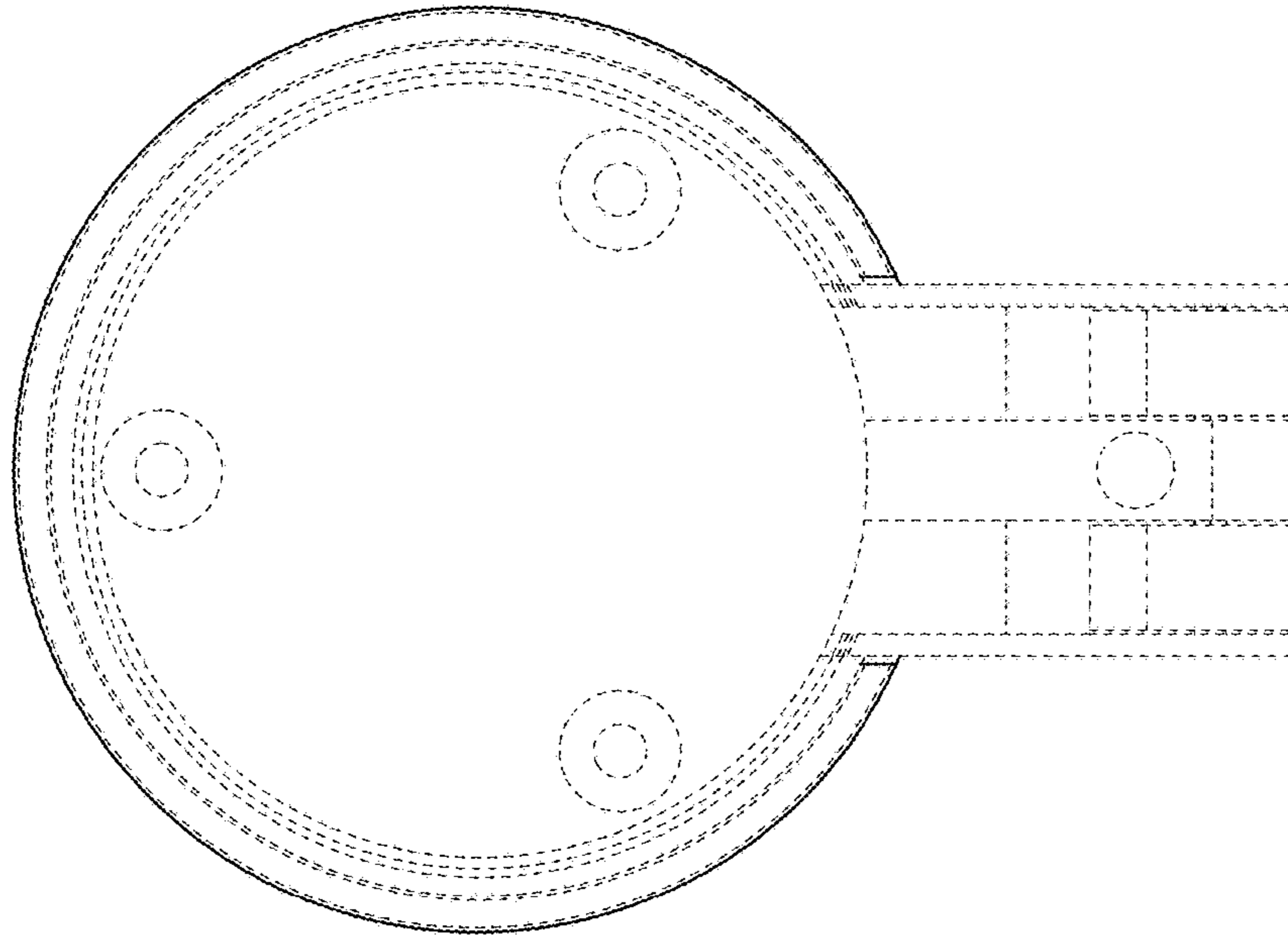


FIG. 7

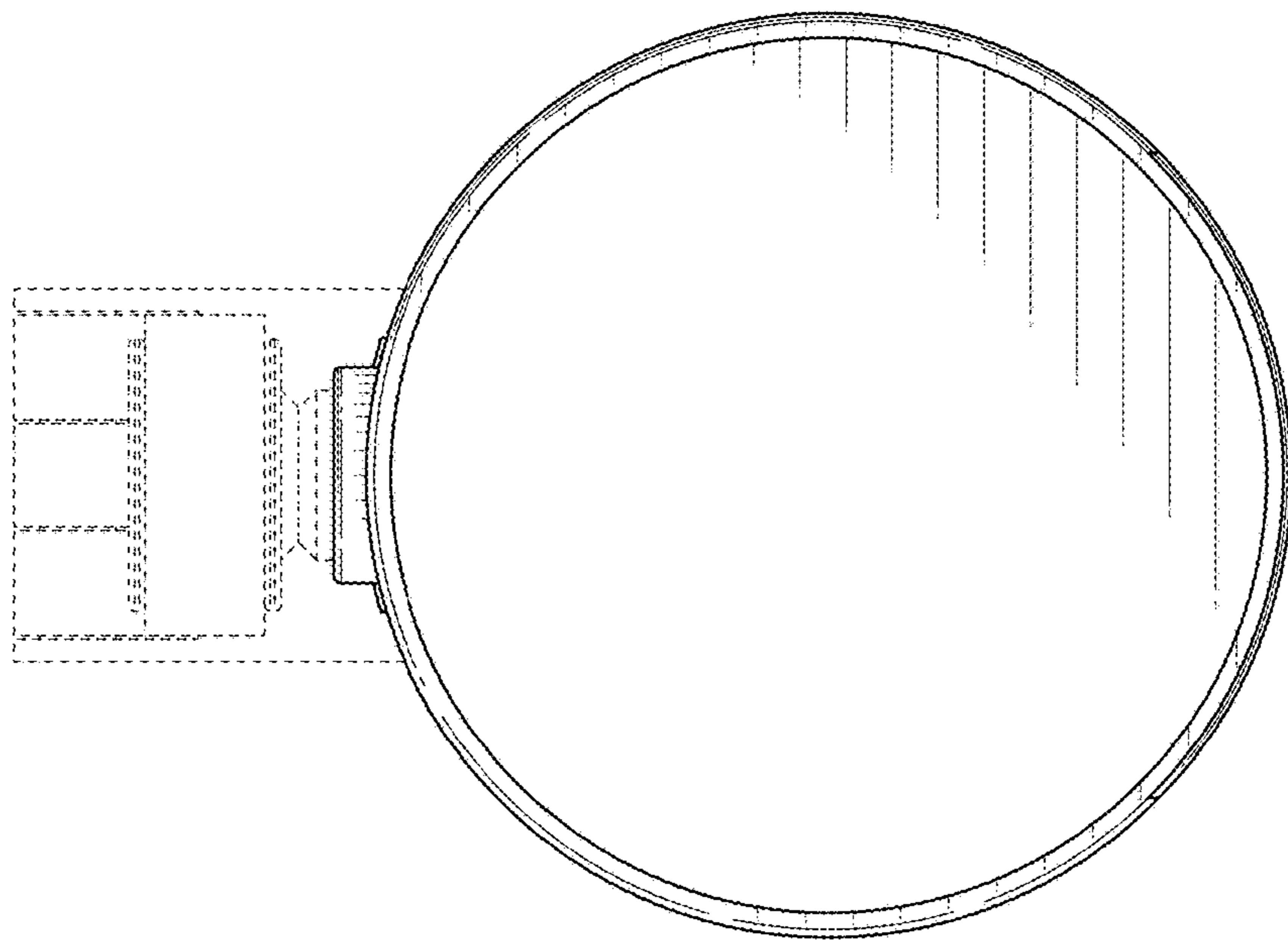


FIG. 6

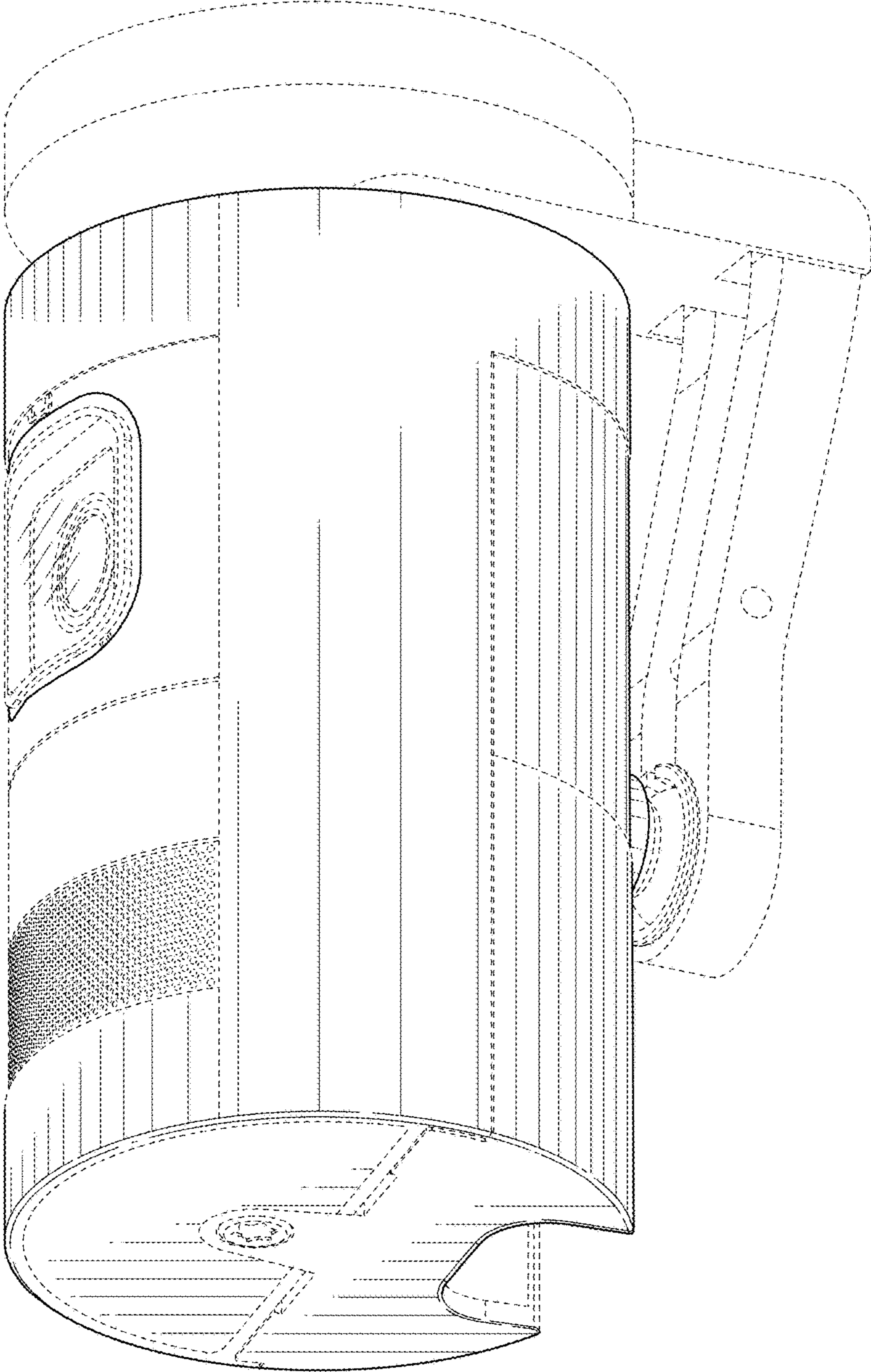


FIG. 8

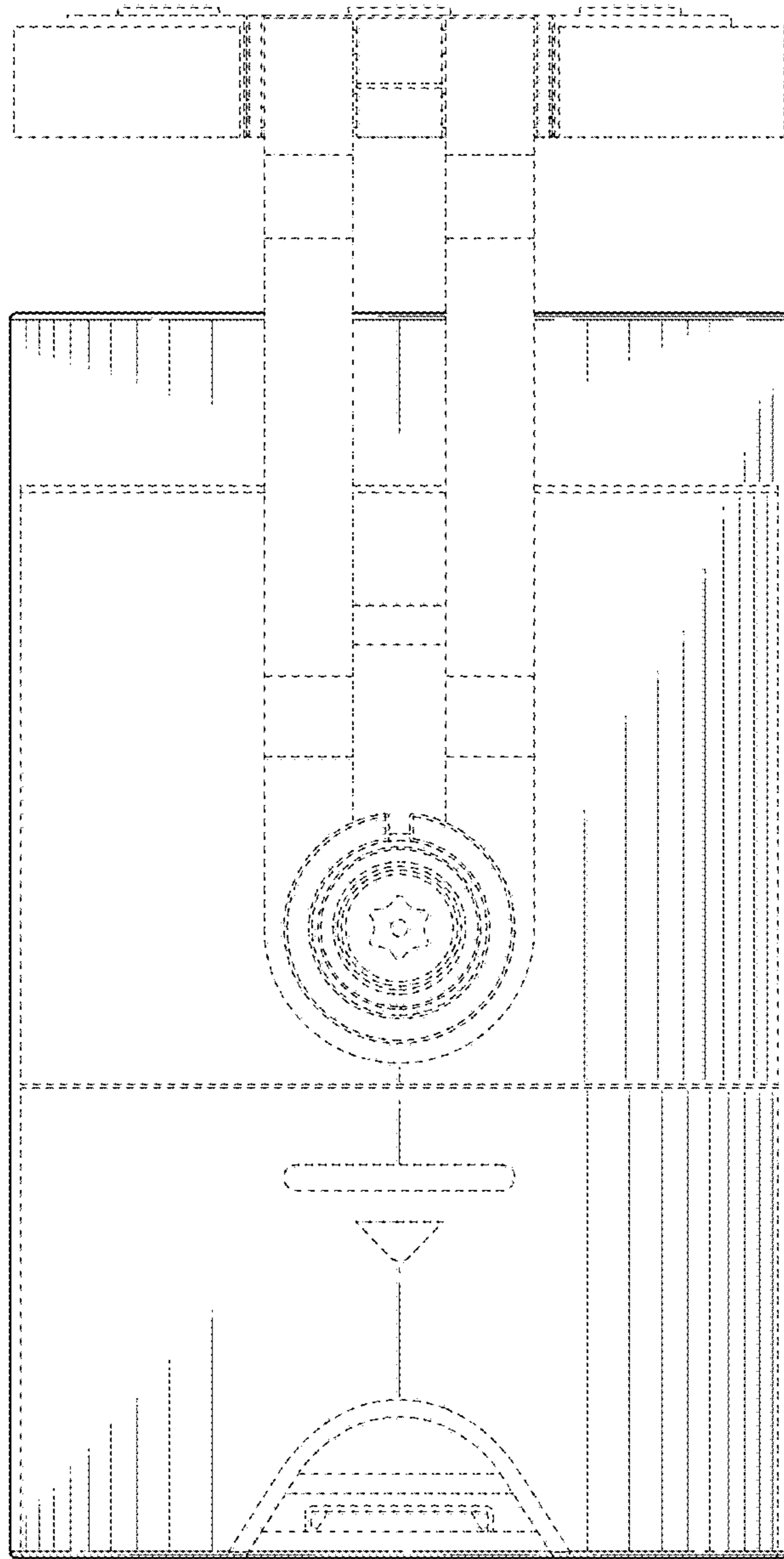


FIG. 9