



US00D858605S

(12) **United States Design Patent**
Tang et al.

(10) **Patent No.:** **US D858,605 S**

(45) **Date of Patent:** **** Sep. 3, 2019**

(54) **CAMERA**
(71) Applicant: **VIVOTEK INC.**, New Taipei (TW)
(72) Inventors: **Wei-Kai Tang**, New Taipei (TW);
Fang-Tzu Chang, New Taipei (TW);
Chiung-Wei Tsai, New Taipei (TW)
(73) Assignee: **VIVOTEK INC.**, New Taipei (TW)
(**) Term: **15 Years**

8,587,715 B2 * 11/2013 Takeda H04R 5/027
348/373
D750,684 S * 3/2016 Katori D16/203
D751,618 S * 3/2016 Hinkel D16/203
D753,207 S * 4/2016 Katori D16/203
D769,956 S * 10/2016 Hinkel D16/203
D800,201 S * 10/2017 Song D16/202
D815,178 S * 4/2018 Larsson D16/203
D829,801 S * 10/2018 Park D16/203
D835,695 S * 12/2018 Hu D16/202
D839,945 S * 2/2019 Lenz D16/218
D841,073 S * 2/2019 Leiponis D16/203

* cited by examiner

(21) Appl. No.: **29/635,409**

(22) Filed: **Jan. 31, 2018**

(30) **Foreign Application Priority Data**

Aug. 25, 2017 (TW) 106304913

(51) **LOC (12) Cl.** **16-01**

(52) **U.S. Cl.**
USPC **D16/203**

(58) **Field of Classification Search**

USPC D16/200–204, 208, 218, 219; 348/143,
348/148, 151, 360, 373–376; 396/419,
396/427–429, 433, 529, 535, 537–541
CPC G03B 15/03; G03B 17/02; G03B 17/04;
G03B 17/48; G03B 17/56; G03B 19/04;
G08G 1/0175; H04N 5/2251; H04N
5/2252; H04N 5/2253; H04N 5/2254

See application file for complete search history.

(56) **References Cited**

U.S. PATENT DOCUMENTS

D676,887 S * 2/2013 Nakashima D16/203
D689,536 S * 9/2013 Li D16/203

Primary Examiner — Philip S Hyder
Assistant Examiner — Ramzi S Almatrahi
(74) *Attorney, Agent, or Firm* — Winston Hsu

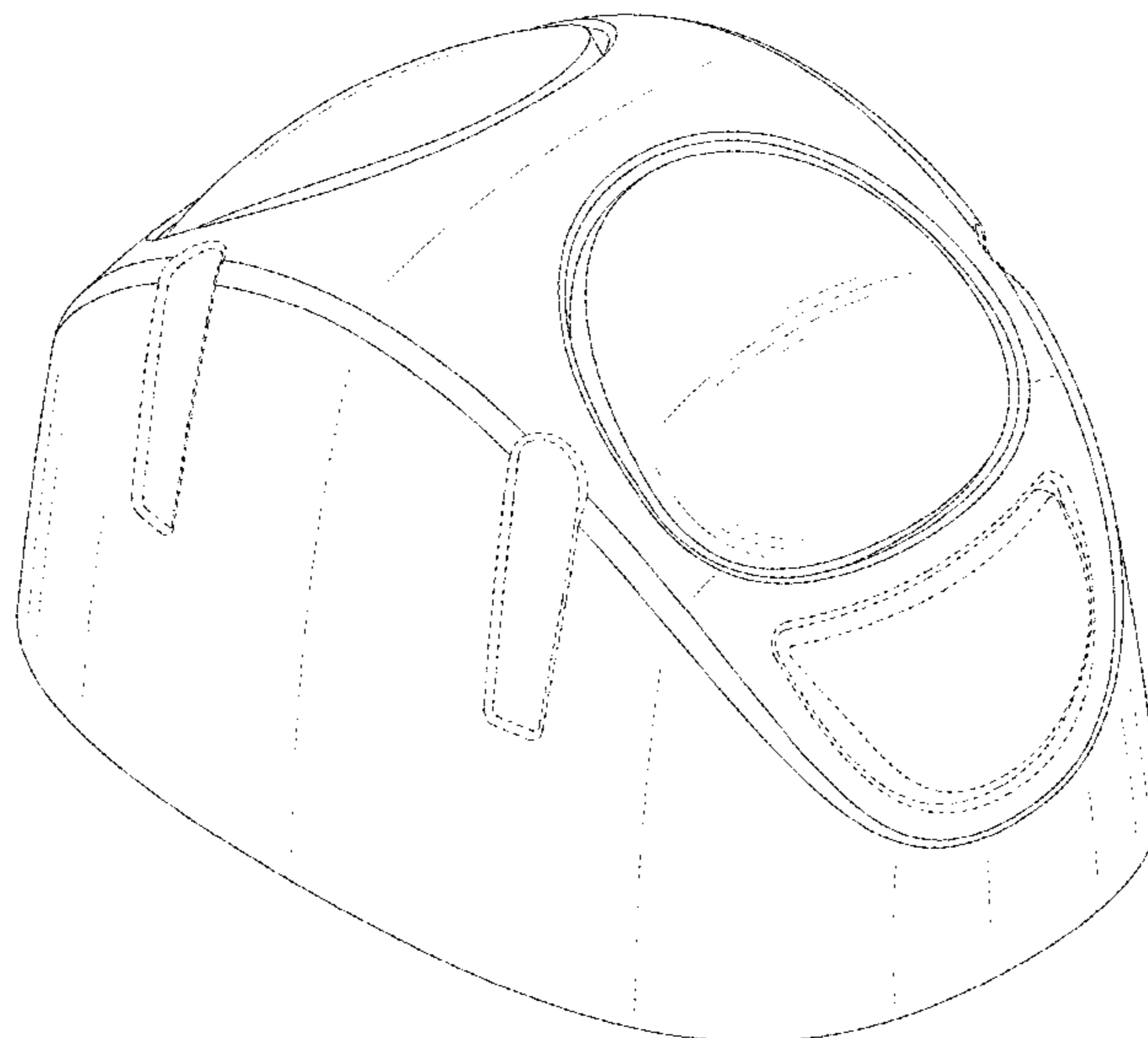
(57) **CLAIM**

The ornamental design for a camera, as shown and described.

DESCRIPTION

FIG. 1 is a perspective view of a camera showing our new design;
FIG. 2 is a front view thereof;
FIG. 3 is a rear view thereof;
FIG. 4 is a left side view thereof;
FIG. 5 is a right side view thereof;
FIG. 6 is a top view thereof; and,
FIG. 7 is a bottom view thereof.
The broken lines depict portions of the camera that form no part of the claimed design.

1 Claim, 7 Drawing Sheets



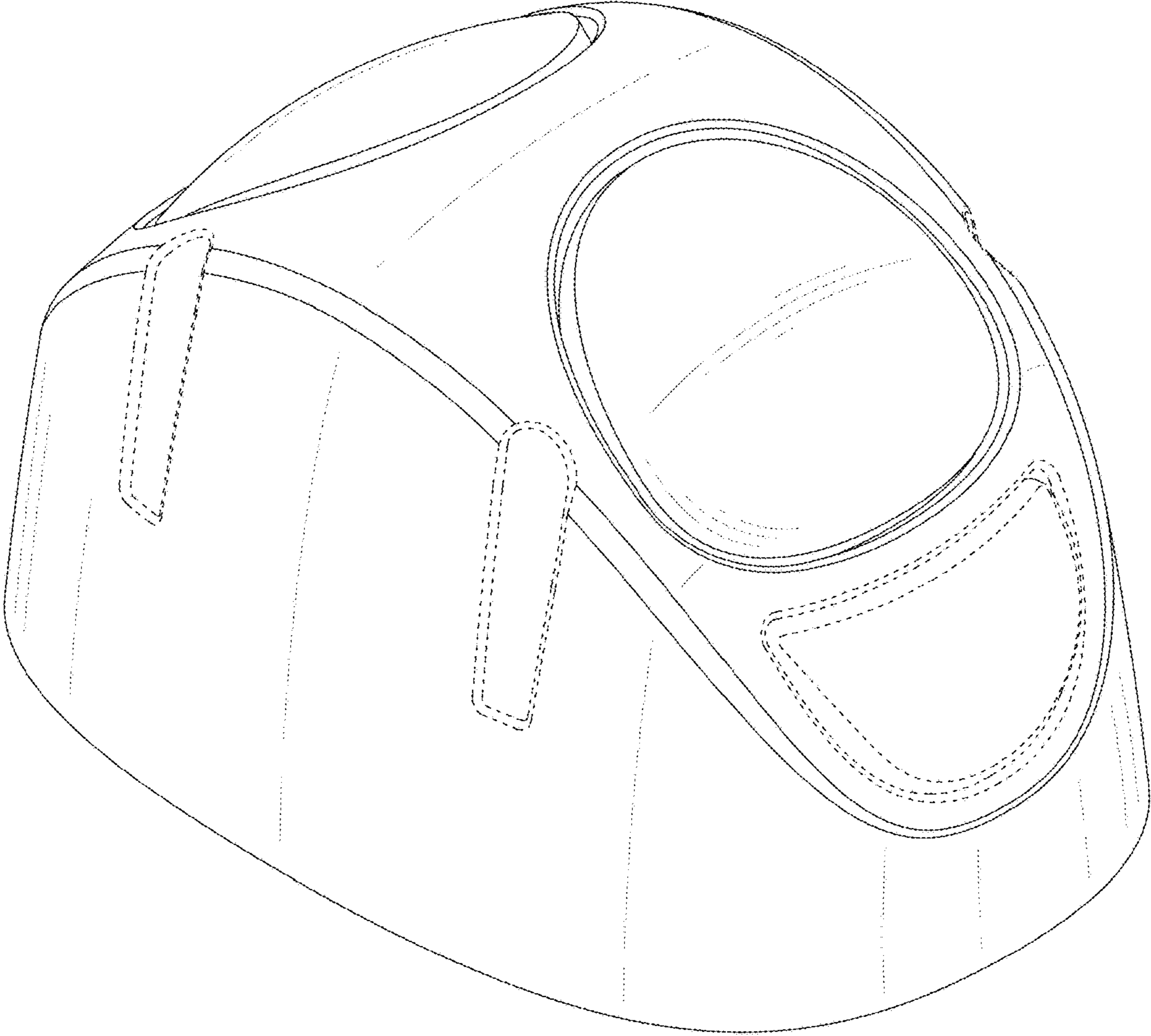


FIG. 1

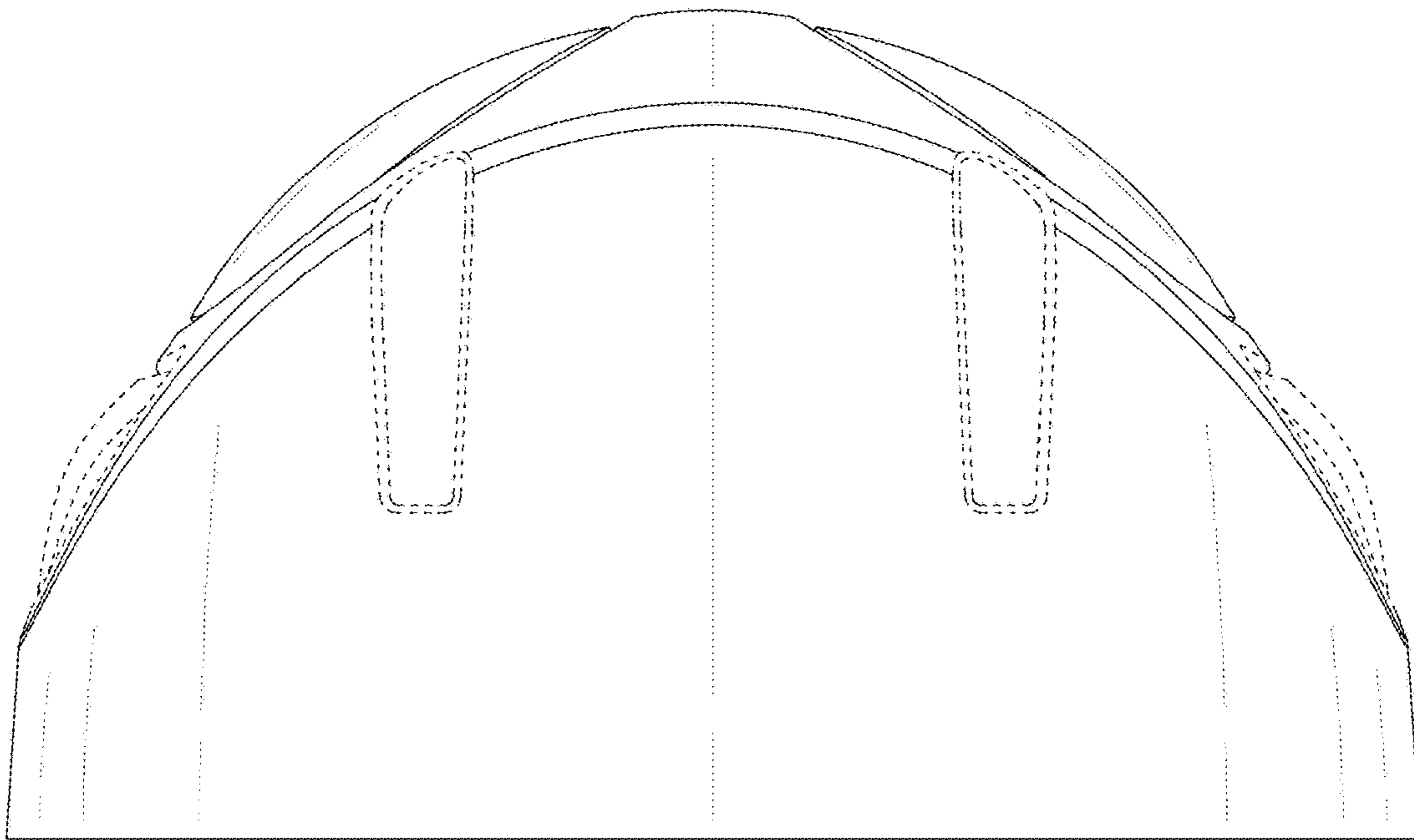


FIG. 2

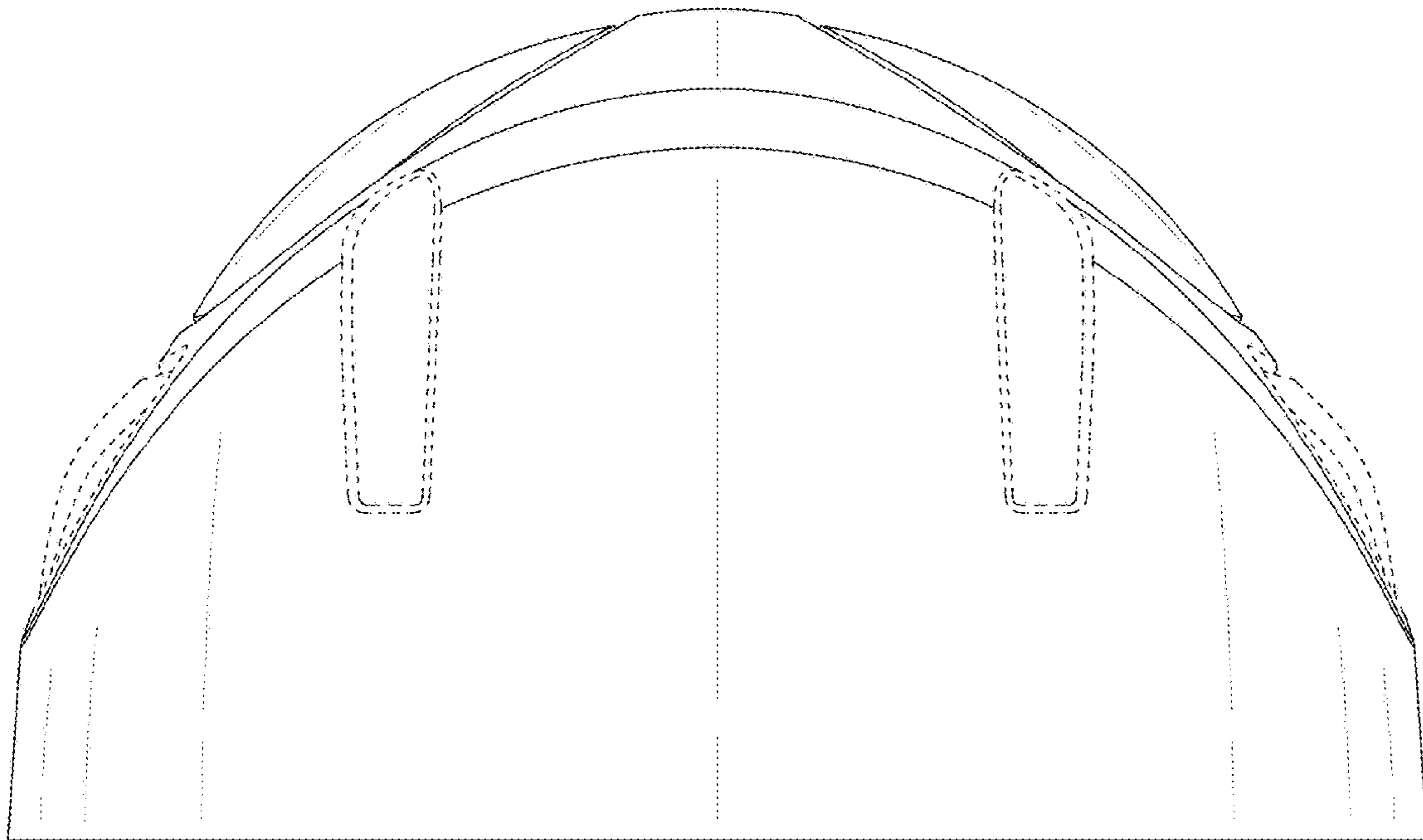


FIG. 3

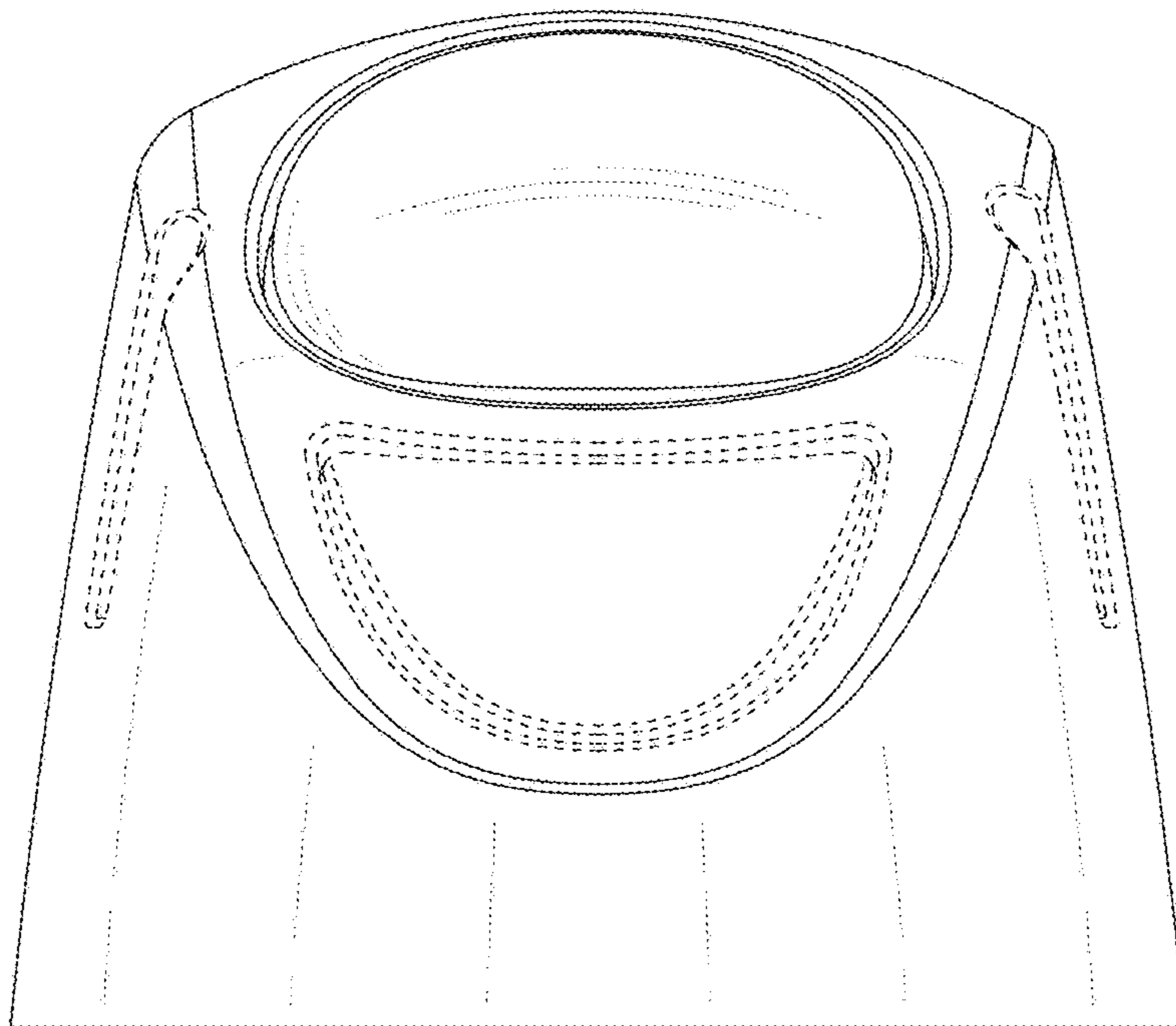


FIG. 4

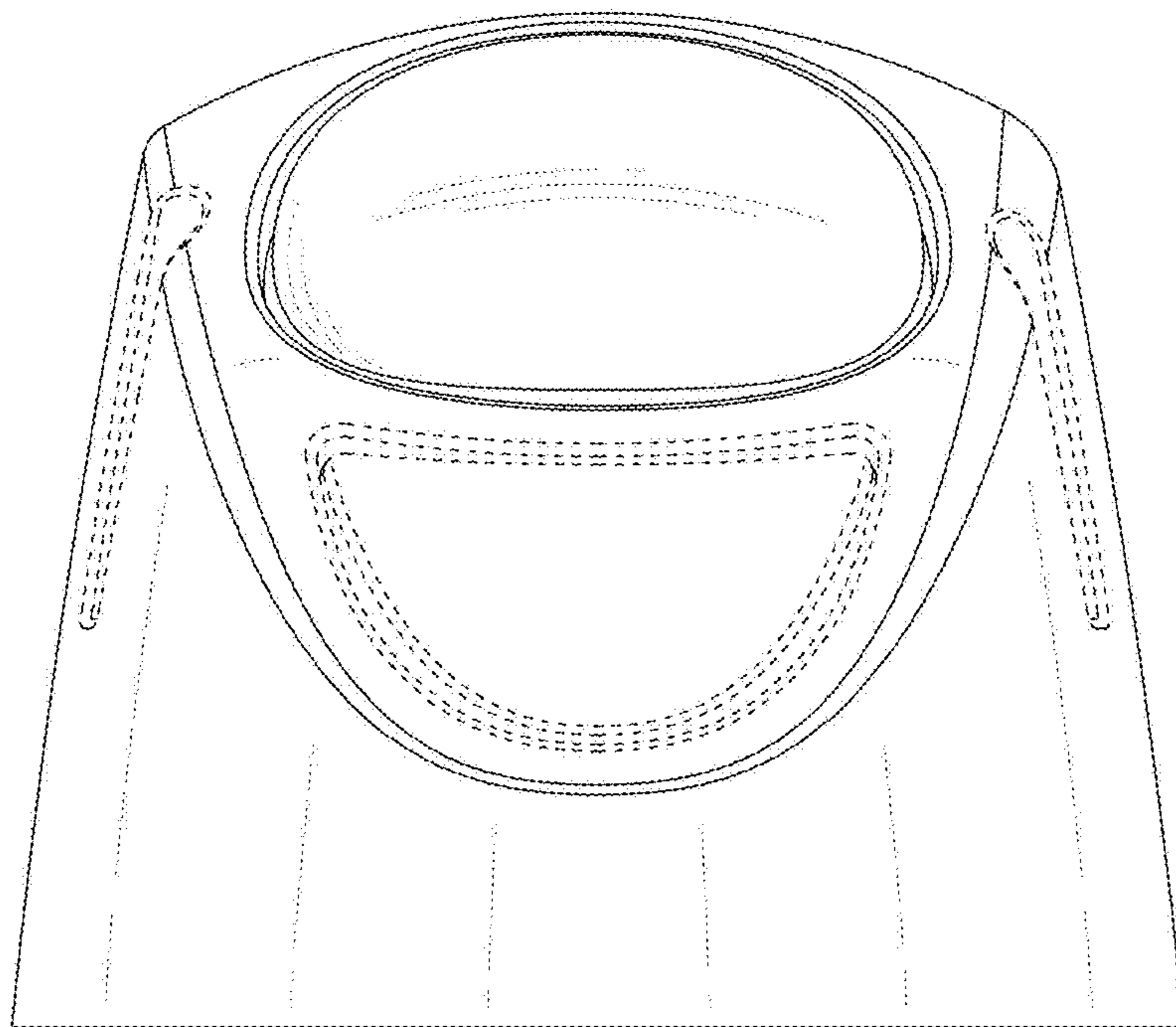


FIG. 5

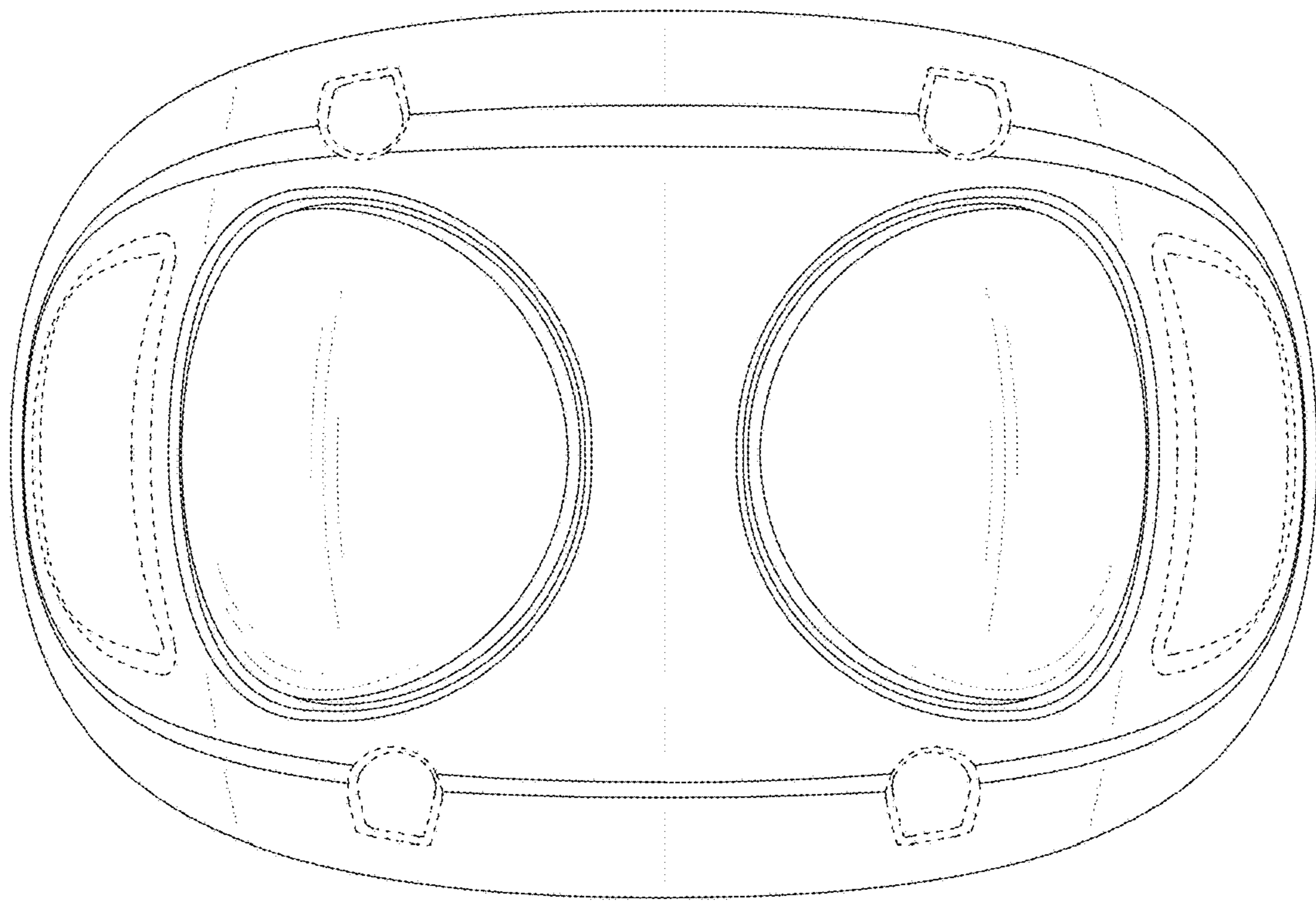


FIG. 6

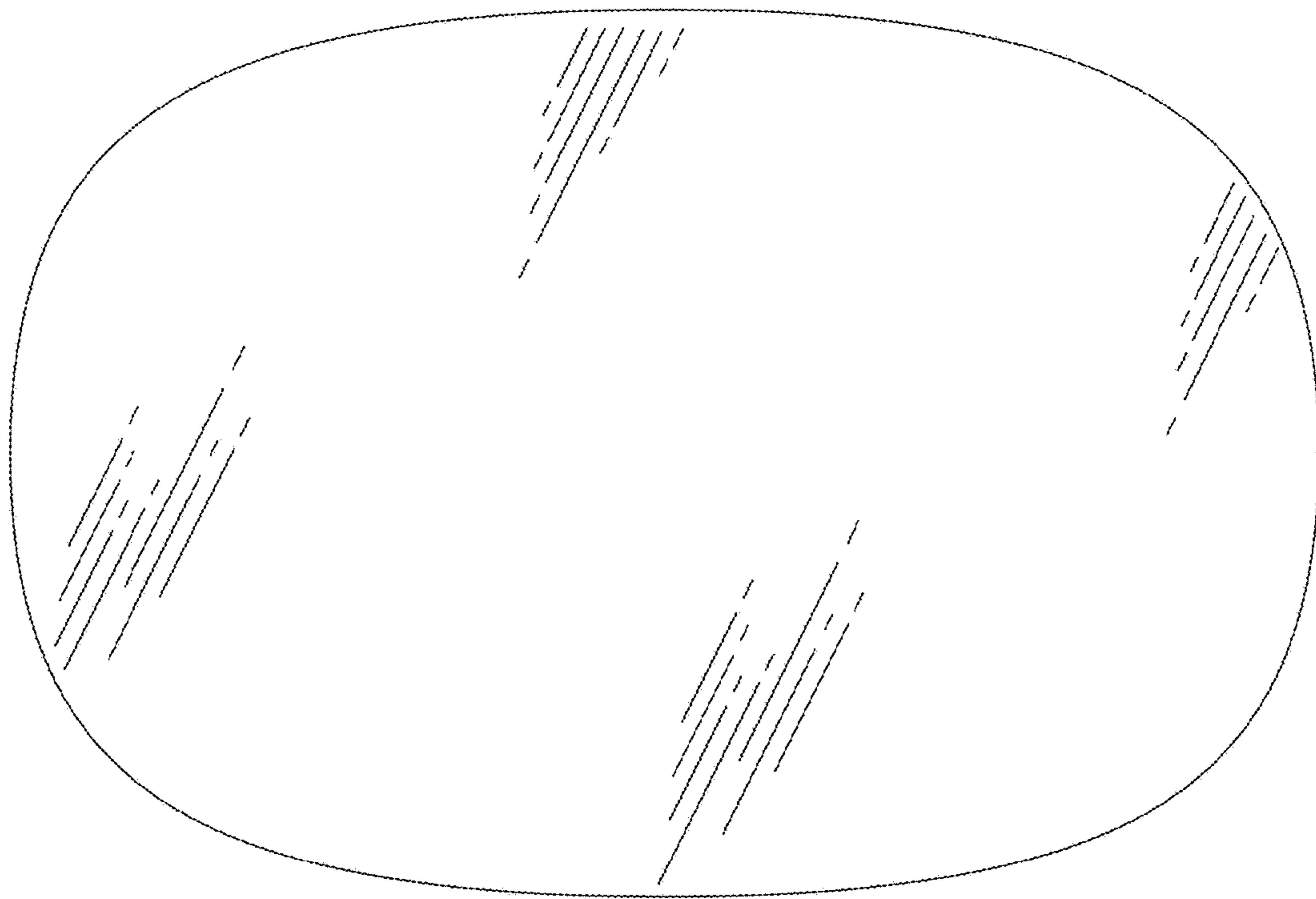


FIG. 7