



US00D858604S

(12) **United States Design Patent** (10) **Patent No.:** **US D858,604 S**  
**Clement et al.** (45) **Date of Patent:** **\*\* Sep. 3, 2019**

(54) **OUTDOOR CAMERA**

(71) Applicant: **Vivint, Inc.**, Provo, UT (US)

(72) Inventors: **Benjamin A. Clement**, Lindon, UT (US); **Kris Nosack**, Orem, UT (US); **Stephen E. Boynton**, Pleasant Grove, UT (US); **Spencer J. Nugent**, American Fork, UT (US); **Landon M. Langford**, Saratoga Springs, UT (US); **Michelle B. Zundel**, Draper, UT (US)

(73) Assignee: **Vivint, Inc.**, Provo, UT (US)

(\*\*) Term: **15 Years**

(21) Appl. No.: **29/632,071**

(22) Filed: **Jan. 4, 2018**

(51) **LOC (12) Cl.** ..... **16-01**

(52) **U.S. Cl.**  
USPC ..... **D16/203**

(58) **Field of Classification Search**  
 USPC ..... D16/200, 202–206, 218, 219, 242;  
 348/143, 148, 151, 373–376; 396/419,  
 396/427, 535, 539–541  
 CPC ..... G03B 17/02; G03B 19/04; G03B 17/56;  
 G03B 17/04; G03B 15/03; H04N 5/2251;  
 H04N 5/2252; H04N 5/2253; H04N  
 5/2254; H04N 7/181; H04N 7/183; H04N  
 7/18; G08B 13/1963; G08B 13/19619;  
 G08B 13/19632; F16M 11/04; F16M  
 13/00

See application file for complete search history.

(56) **References Cited**

U.S. PATENT DOCUMENTS

D320,028 S *	9/1991	Sedighzadeh .....	D16/203
D333,398 S *	2/1993	Sedighzadeh .....	D6/513
D333,582 S *	3/1993	Sedighzadeh .....	D6/513
D558,811 S *	1/2008	Higgins .....	D16/203
D700,231 S *	2/2014	Berkmortel .....	D16/203
D750,684 S *	3/2016	Katori .....	D16/203
D801,406 S *	10/2017	Jeong .....	D16/203
D814,544 S *	4/2018	Moon .....	D16/203
D816,142 S *	4/2018	Song .....	D16/203
D832,907 S *	11/2018	Jeong .....	D16/203

\* cited by examiner

*Primary Examiner* — Ramzi S Almatrahi

(74) *Attorney, Agent, or Firm* — Dorsey & Whitney LLP

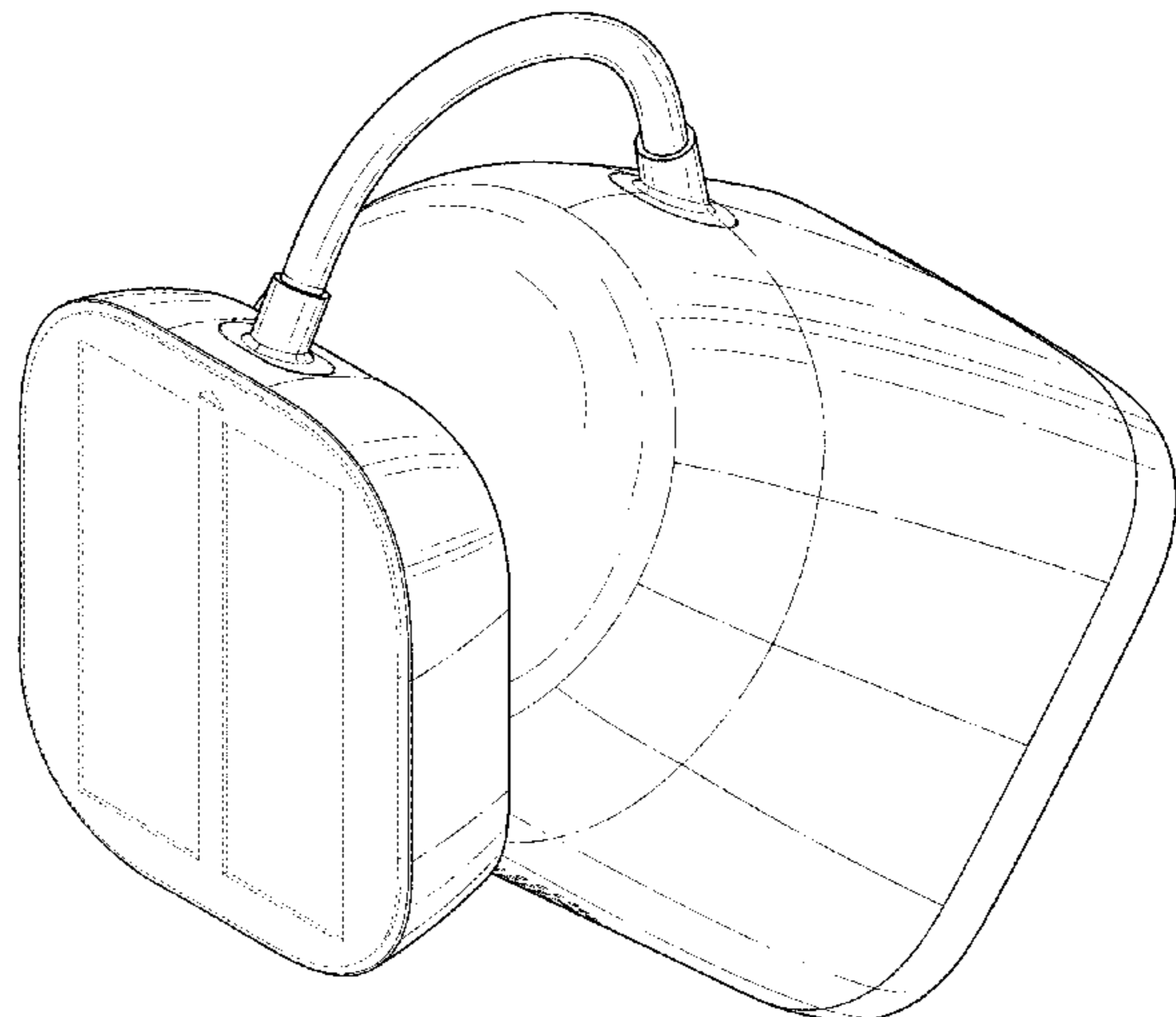
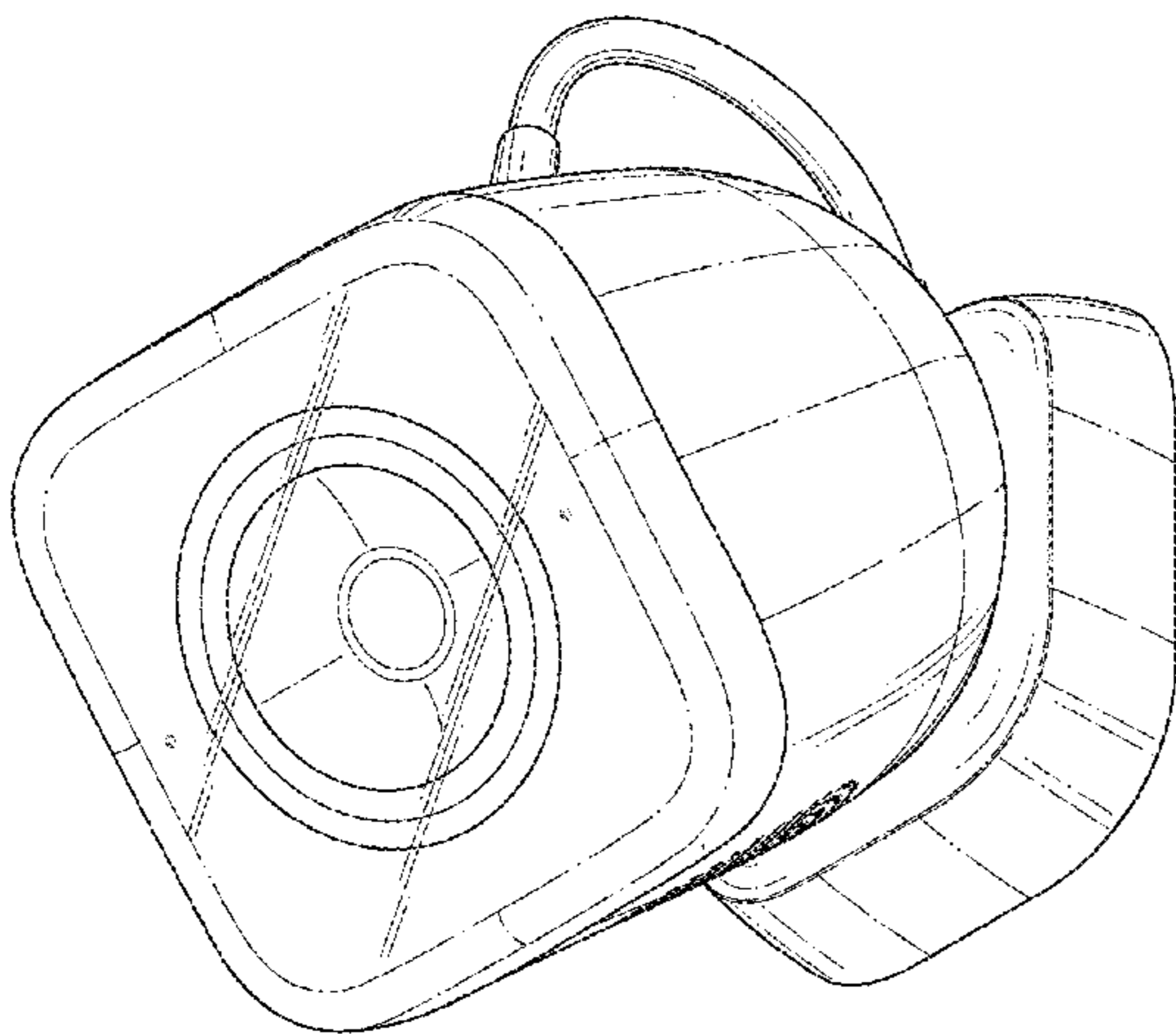
(57) **CLAIM**

The ornamental design for an outdoor camera, as shown and described.

**DESCRIPTION**

FIG. 1 is a bottom, rear and left side perspective view of an outdoor camera;  
 FIG. 2 is a top, front and right side perspective view thereof;  
 FIG. 3 is a rear elevation view thereof;  
 FIG. 4 is a front elevation view thereof;  
 FIG. 5 is a left side elevation view thereof;  
 FIG. 6 is a right side elevation view thereof;  
 FIG. 7 is a bottom plan view thereof; and,  
 FIG. 8 is a top plan view thereof.  
 The broken lines depict portions of the outdoor camera in which the design is embodied that form no part of the claimed design.

**1 Claim, 8 Drawing Sheets**



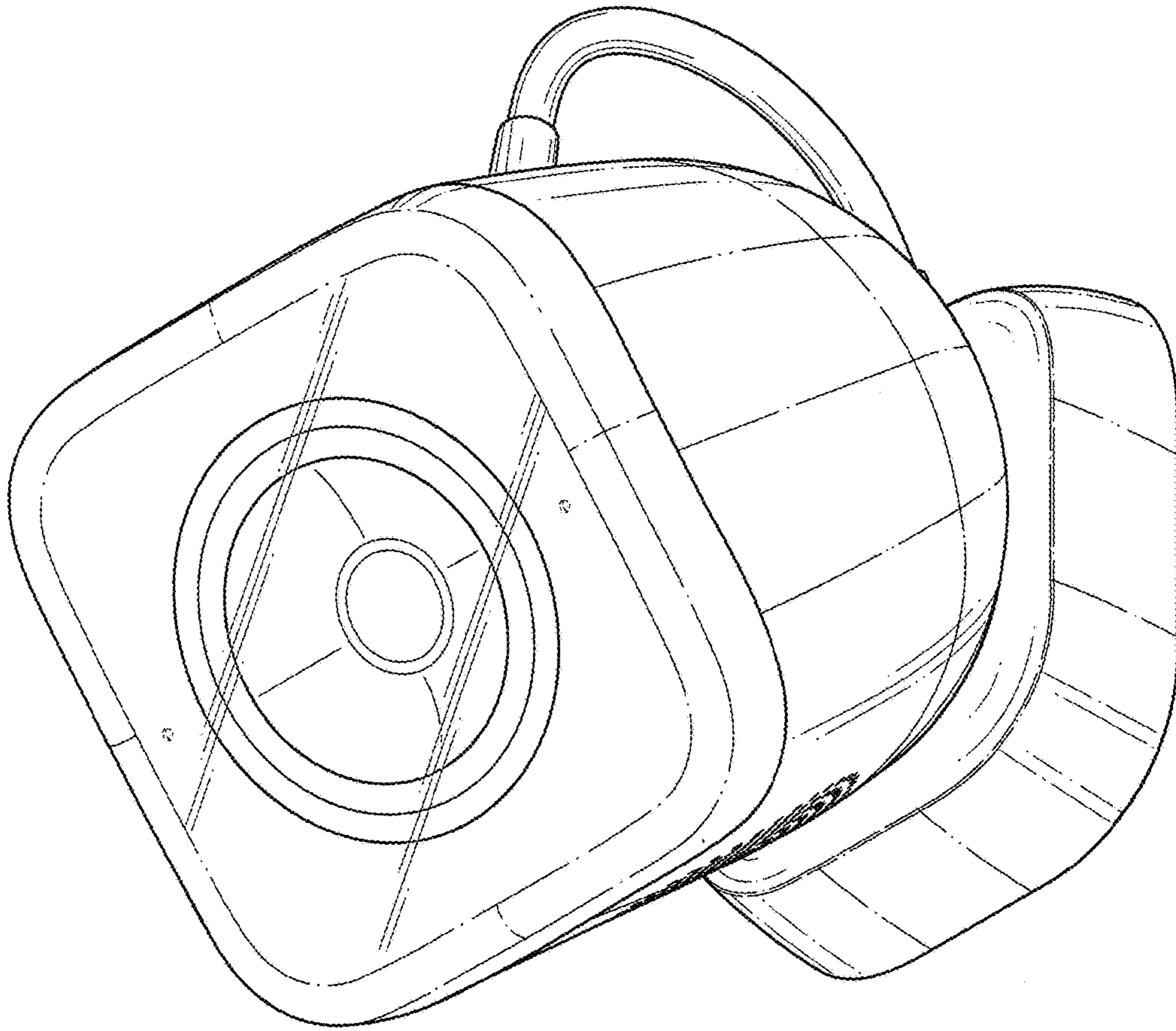
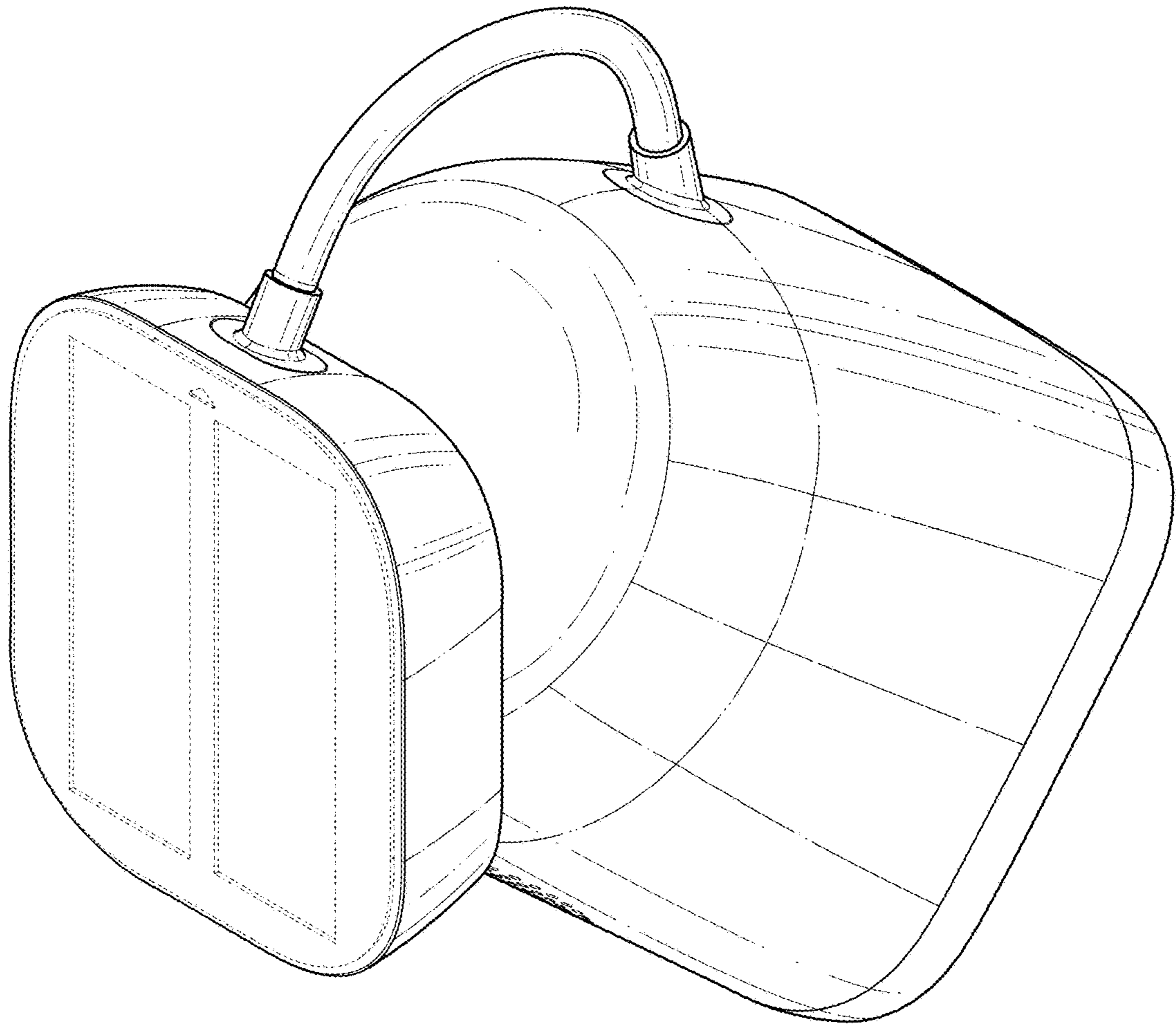
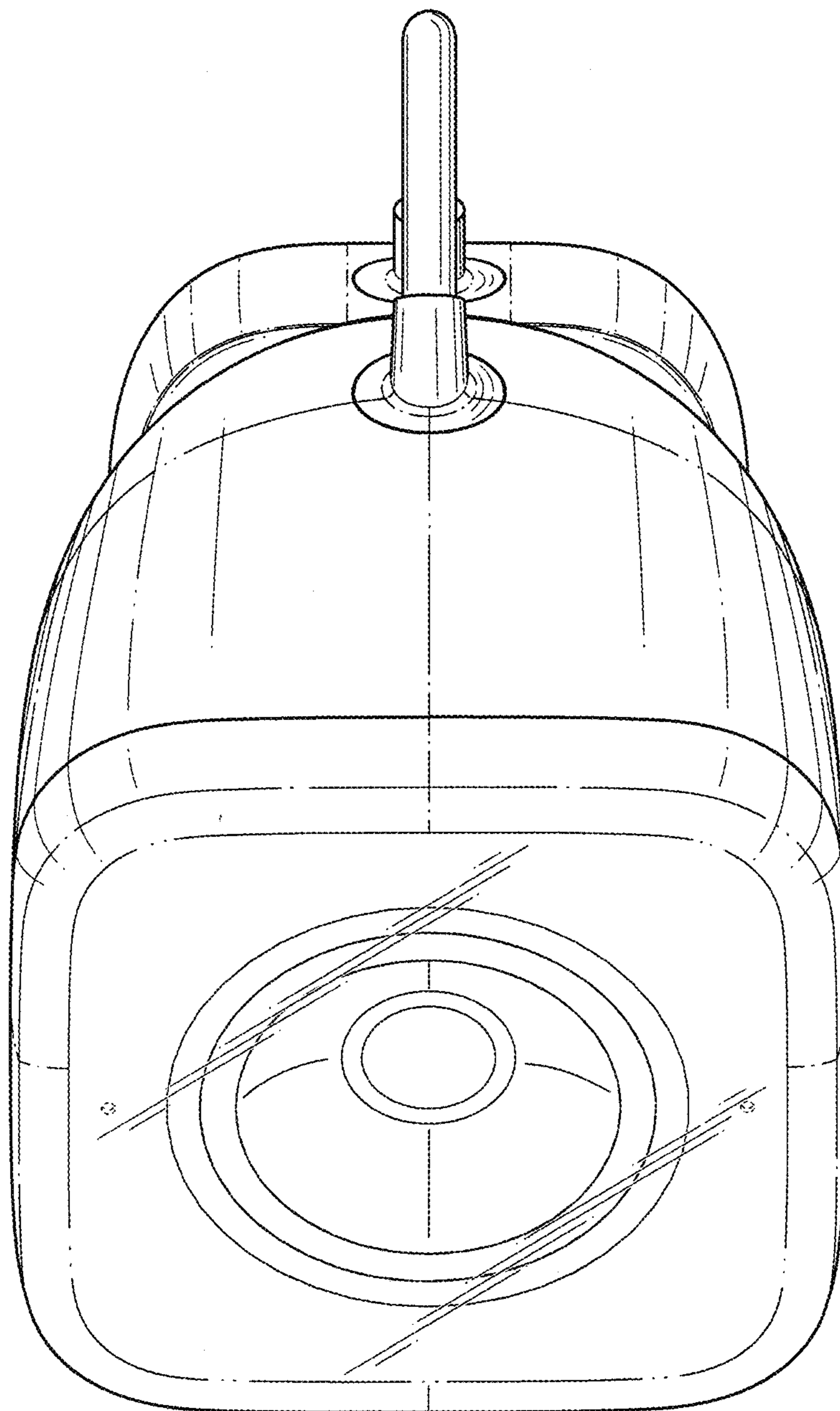


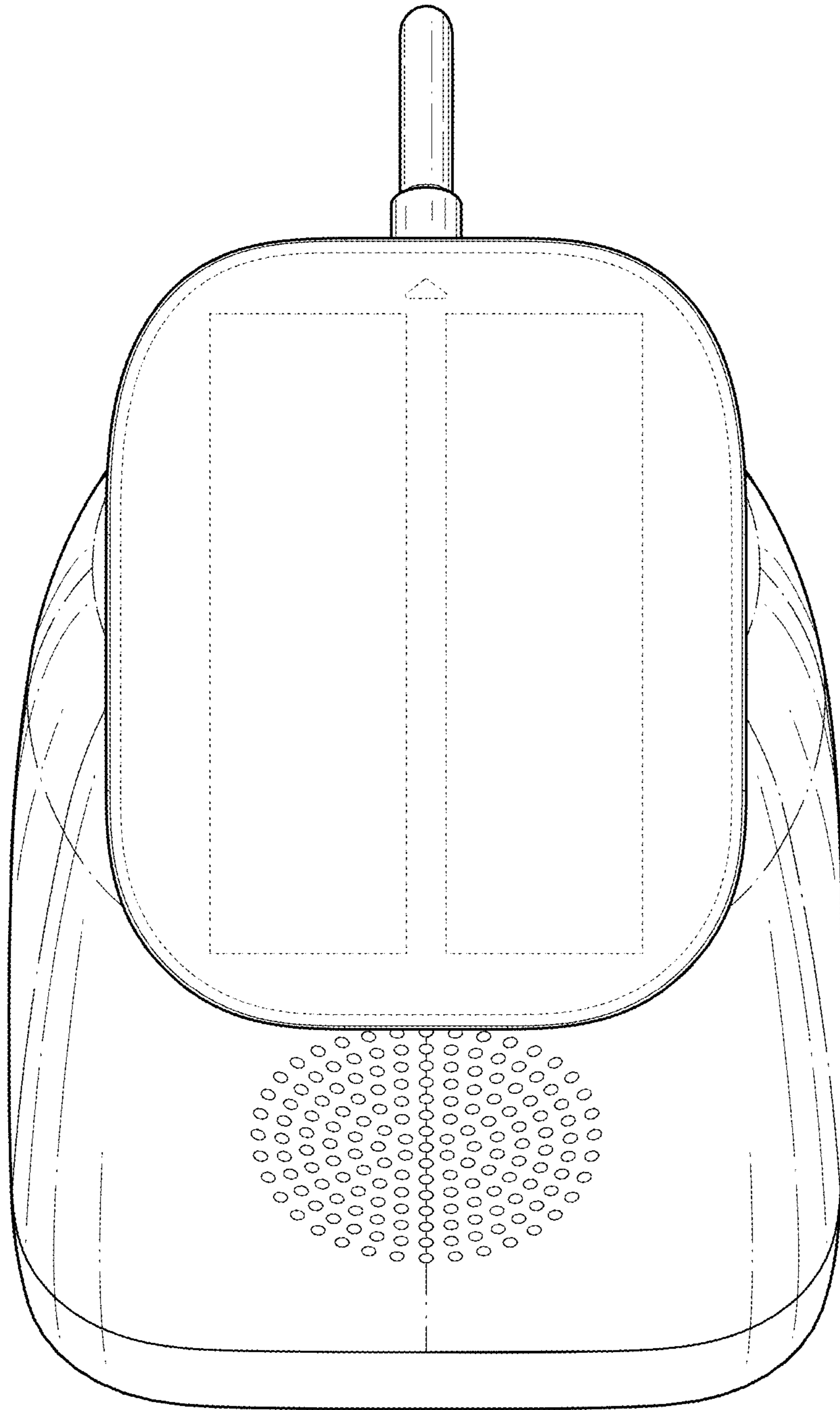
FIG. 1



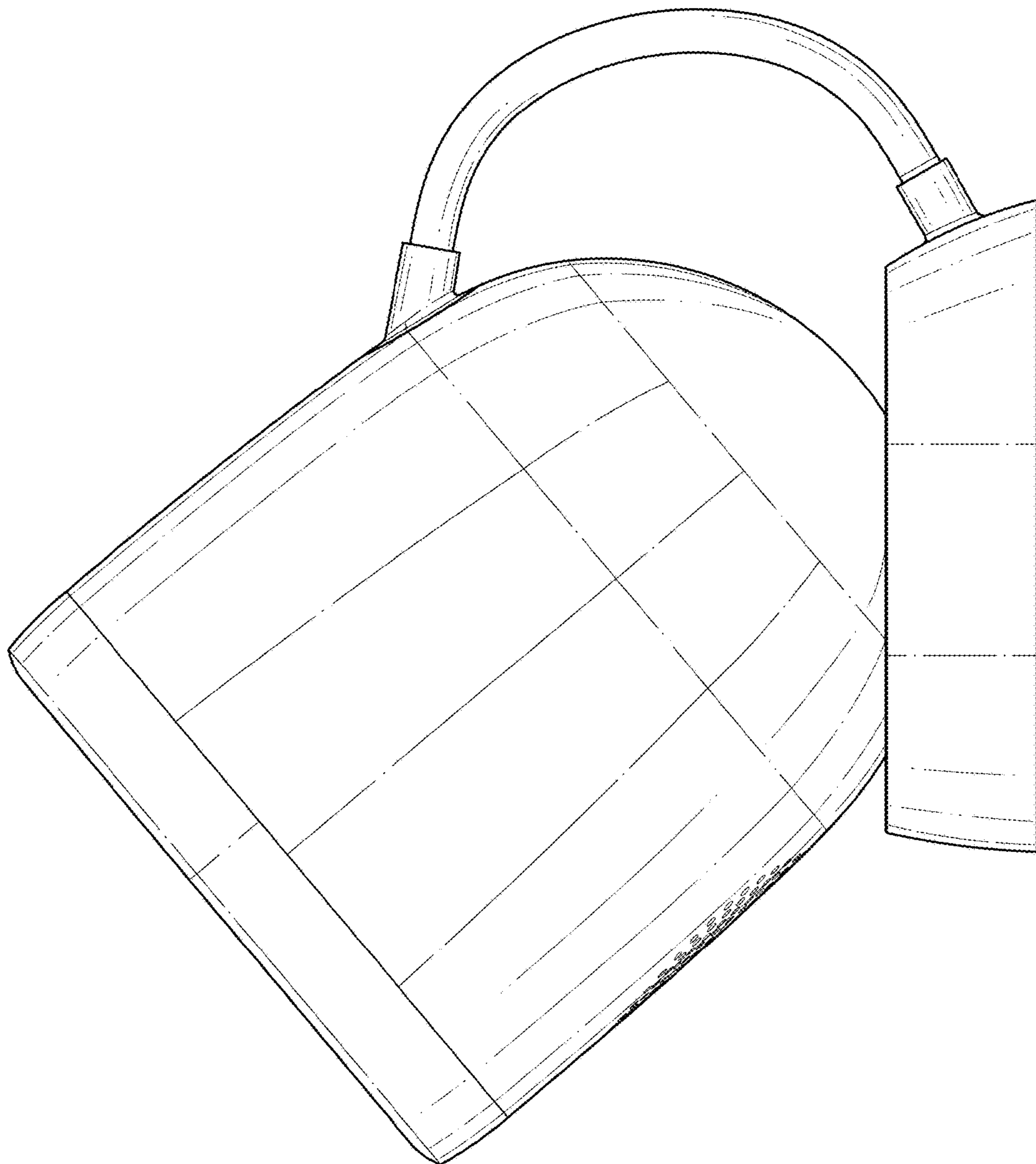
**FIG. 2**



**FIG. 3**



**FIG. 4**



**FIG. 5**

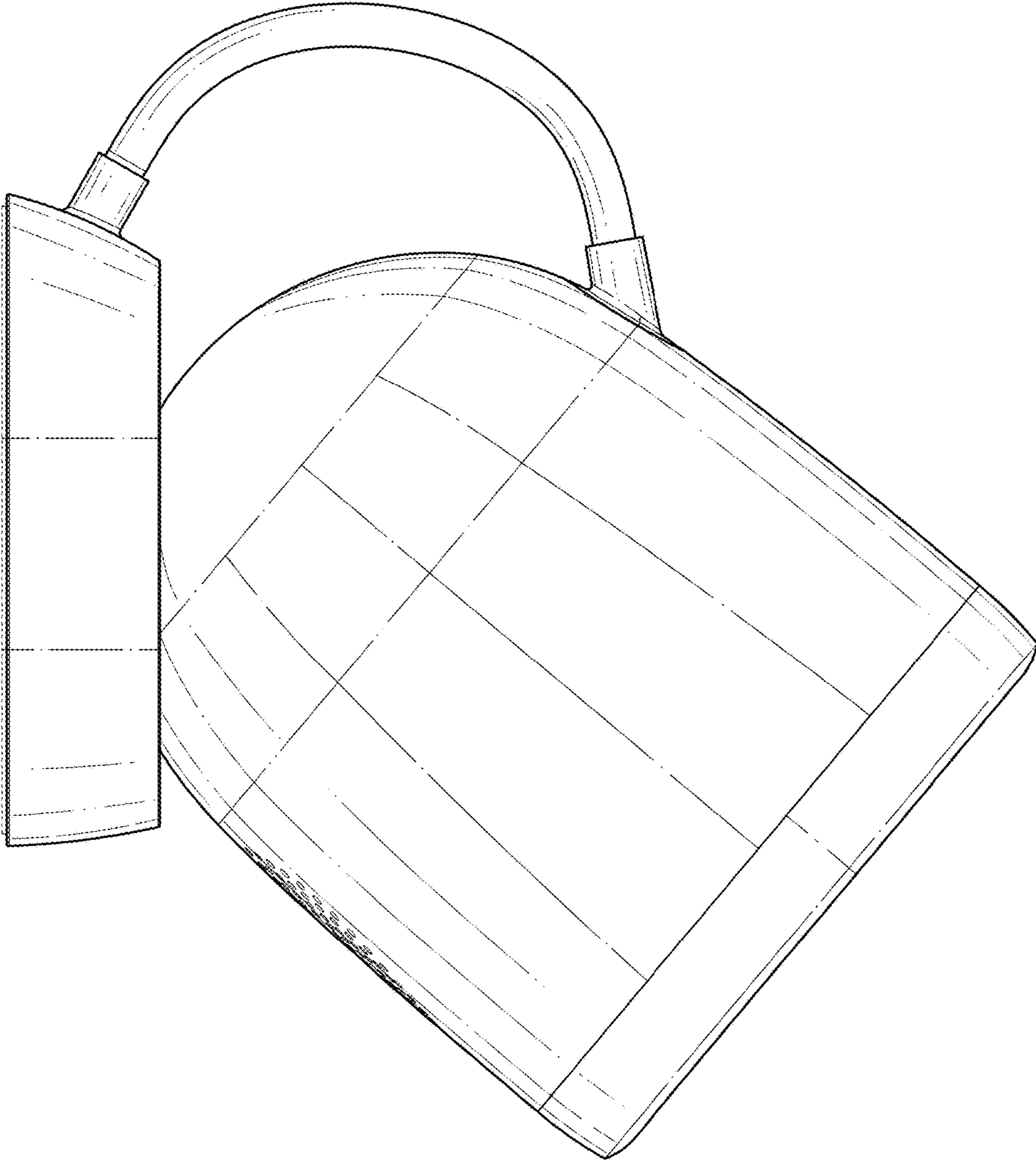
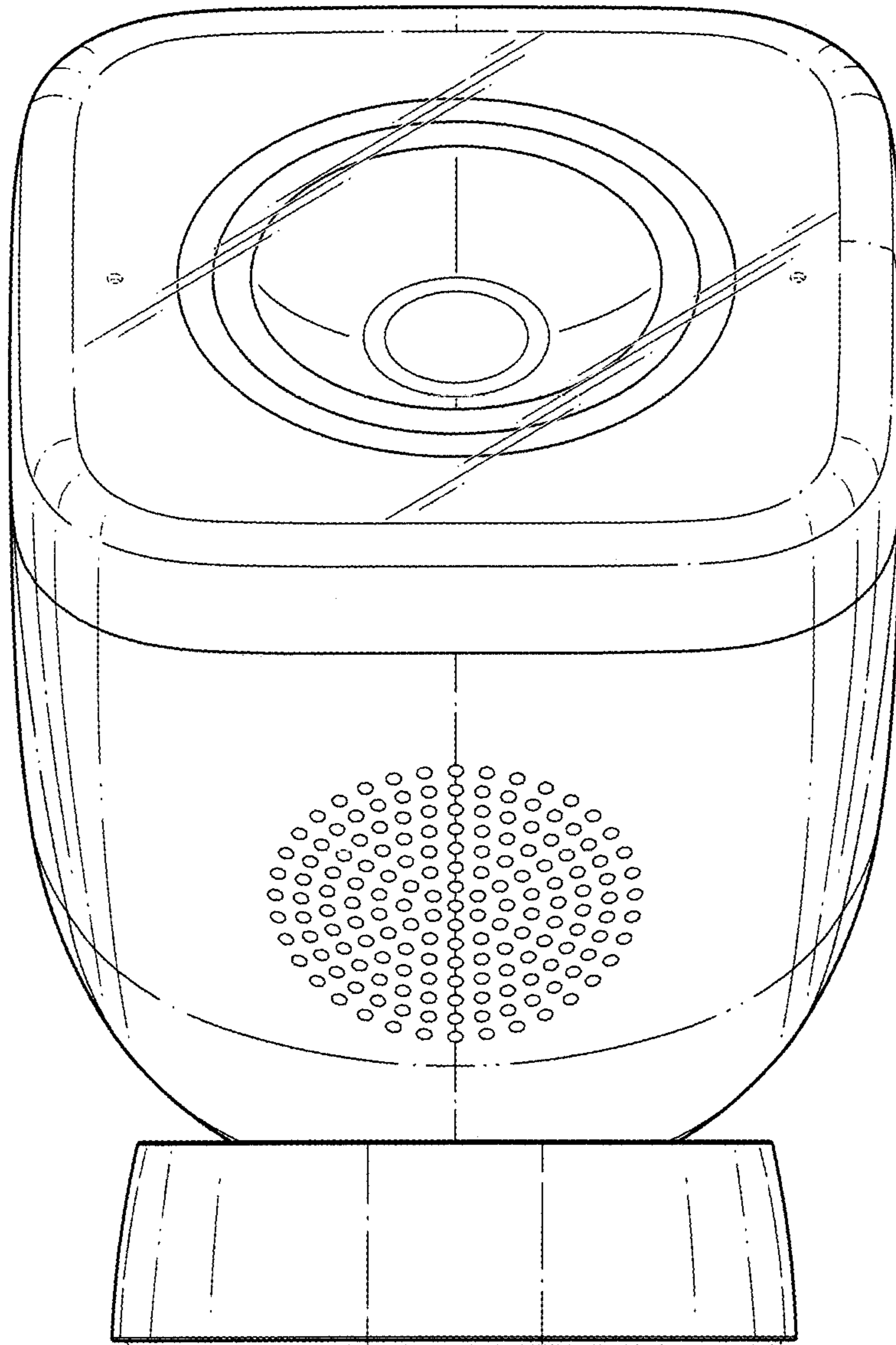
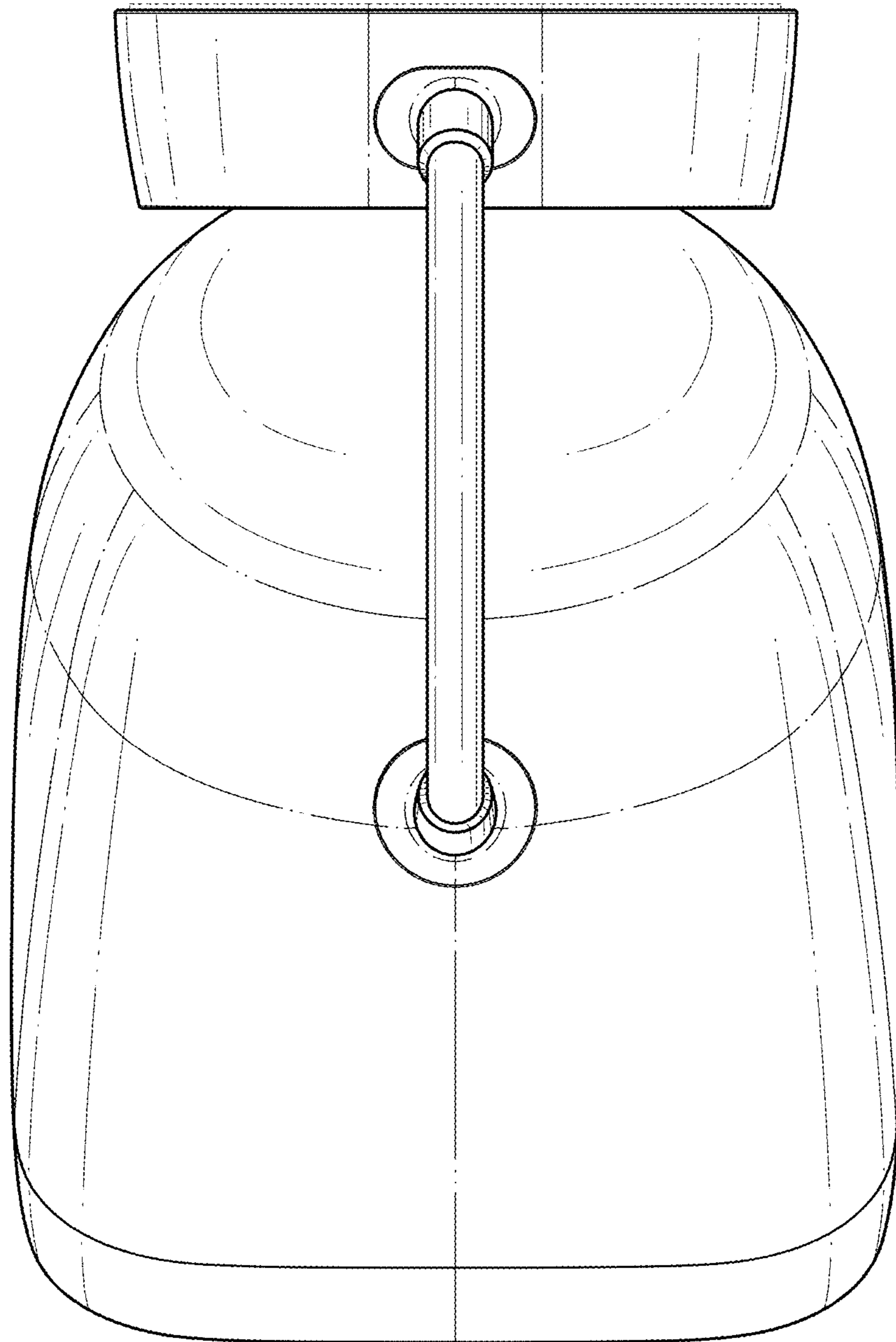


FIG. 6



**FIG. 7**





**FIG. 8**