



US00D858603S

(12) **United States Design Patent** (10) **Patent No.:** **US D858,603 S**
Ye (45) **Date of Patent:** **** Sep. 3, 2019**

(54) **SECURITY CAMERA**
(71) Applicant: **iSmart Alarm, Inc.**, Sunnyvale, CA (US)
(72) Inventor: **Ting Ye**, Tianjin (CN)
(73) Assignee: **iSmart Alarm, Inc.**, Sunnyvale, CA (US)
(**) Term: **15 Years**
(21) Appl. No.: **29/540,661**
(22) Filed: **Sep. 25, 2015**
(30) **Foreign Application Priority Data**
Jul. 24, 2015 (CN) 2015 3 0271280
(51) **LOC (12) Cl.** **16-01**
(52) **U.S. Cl.**
USPC **D16/203**
(58) **Field of Classification Search**
USPC D14/172, 194, 204, 221; D16/200–205,
D16/208, 217–219; 348/148, 373–376;
396/529, 535–541

(Continued)

(56) **References Cited**
U.S. PATENT DOCUMENTS
D441,386 S * 5/2001 Yamazaki D16/203
D442,982 S * 5/2001 Adachi D16/203
(Continued)

Primary Examiner — Ramzi S Almatrahi

(57) **CLAIM**
The ornamental design for a security camera, as shown and described.

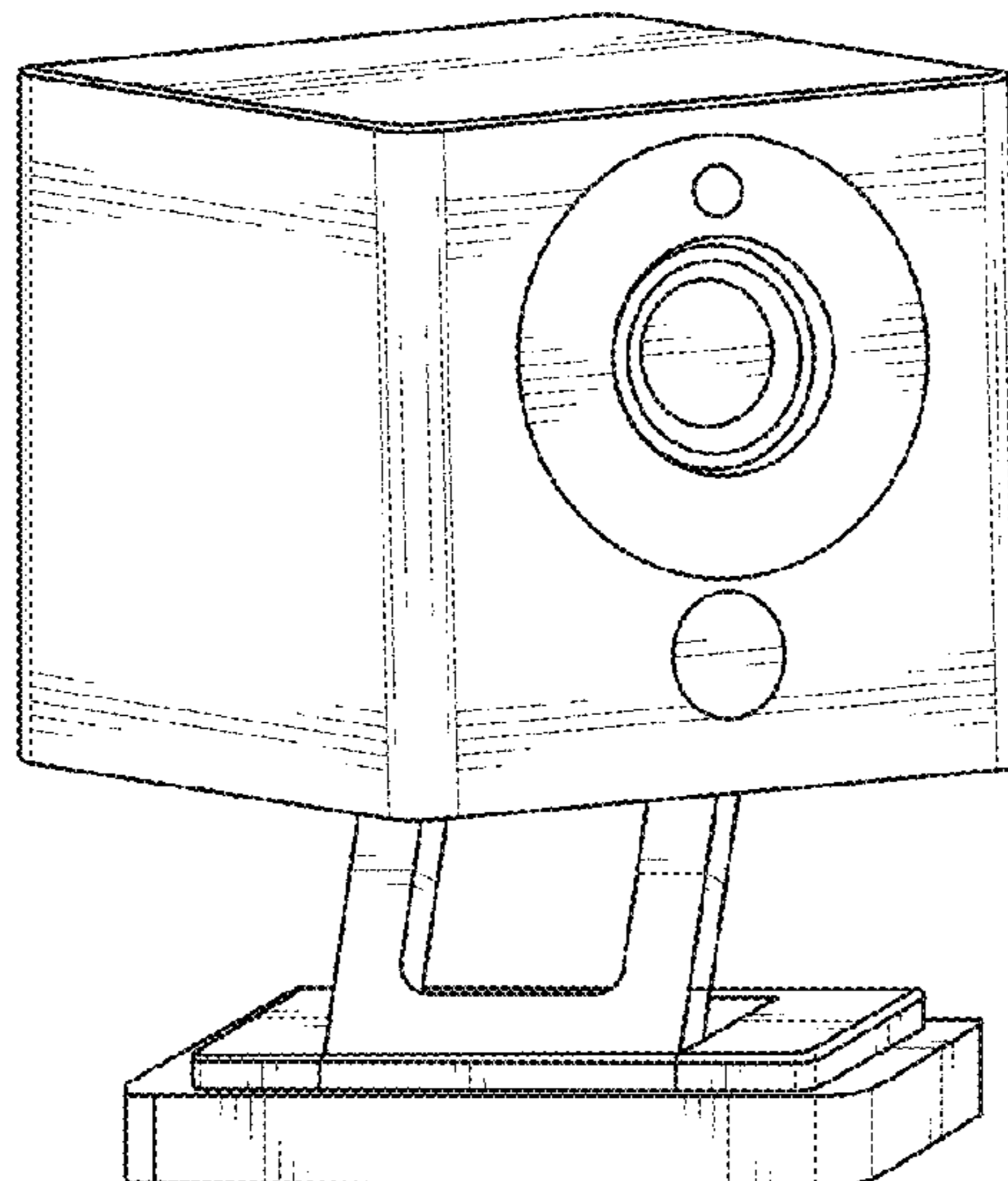
DESCRIPTION

FIG. 1 is a front view of a security camera showing my new design, with a camera support omitted for ease of illustration;

FIG. 2 is a rear view thereof;
FIG. 3 is a left side view thereof;
FIG. 4 is a right side view thereof;
FIG. 5 is a top plan view thereof;
FIG. 6 is a bottom plan view thereof;
FIG. 7 is a top, front and right side perspective view thereof;
FIG. 8 is a front view of the camera support, with the camera omitted for ease of illustration;
FIG. 9 is a rear view thereof;
FIG. 10 is a left side view thereof;
FIG. 11 is a right side view thereof;
FIG. 12 is a top plan view thereof;
FIG. 13 is a bottom plan view thereof;
FIG. 14 is a top, front and left side perspective view thereof;
FIG. 15 is a top, front and right side perspective view of the security camera, shown with the camera support in a closed configuration;
FIG. 16 is a top, front and right side perspective view of the security camera, shown with the camera support in an extended configuration;
FIG. 17 is a top, front and right side perspective view thereof, shown with the camera rotated in an alternate position;
FIG. 18 is an alternate top, front and right side perspective view thereof, shown with the camera rotated in an alternate position;
FIG. 19 is an alternate top, front and right side perspective view thereof, shown with the camera rotated in an alternate position; and,
FIG. 20 is an alternate top, front and right side perspective view thereof, shown with the camera rotated in an alternate position.

The broken lines depict portions of the security camera in which the design is embodied that form no part of the claimed design.

1 Claim, 10 Drawing Sheets



(58) **Field of Classification Search**

CPC G03B 15/03; G03B 17/02; G03B 17/04;
G03B 17/56; G03B 19/04; H04N 5/2251;
H04N 5/2252; H04N 5/2253; H04N
5/2254; H04N 2101/00

See application file for complete search history.

(56) **References Cited**

U.S. PATENT DOCUMENTS

D504,904	S	*	5/2005	Nagai	D16/203
D616,480	S	*	5/2010	Ookawa	D16/218
8,467,675	B2	*	6/2013	Chen	G03B 17/02 348/374
D690,280	S	*	9/2013	Schul	D14/168
D713,868	S	*	9/2014	Yang	D16/202
D727,387	S	*	4/2015	Hasegawa	D16/203
D729,761	S	*	5/2015	Hu	D14/194
D730,423	S	*	5/2015	Vandenbussche	D16/218
9,282,226	B2	*	3/2016	Samuels	G03B 17/02
D785,068	S	*	4/2017	Patsis	D16/200
2011/0317065	A1	*	12/2011	Lin	G03B 17/02 348/373

* cited by examiner

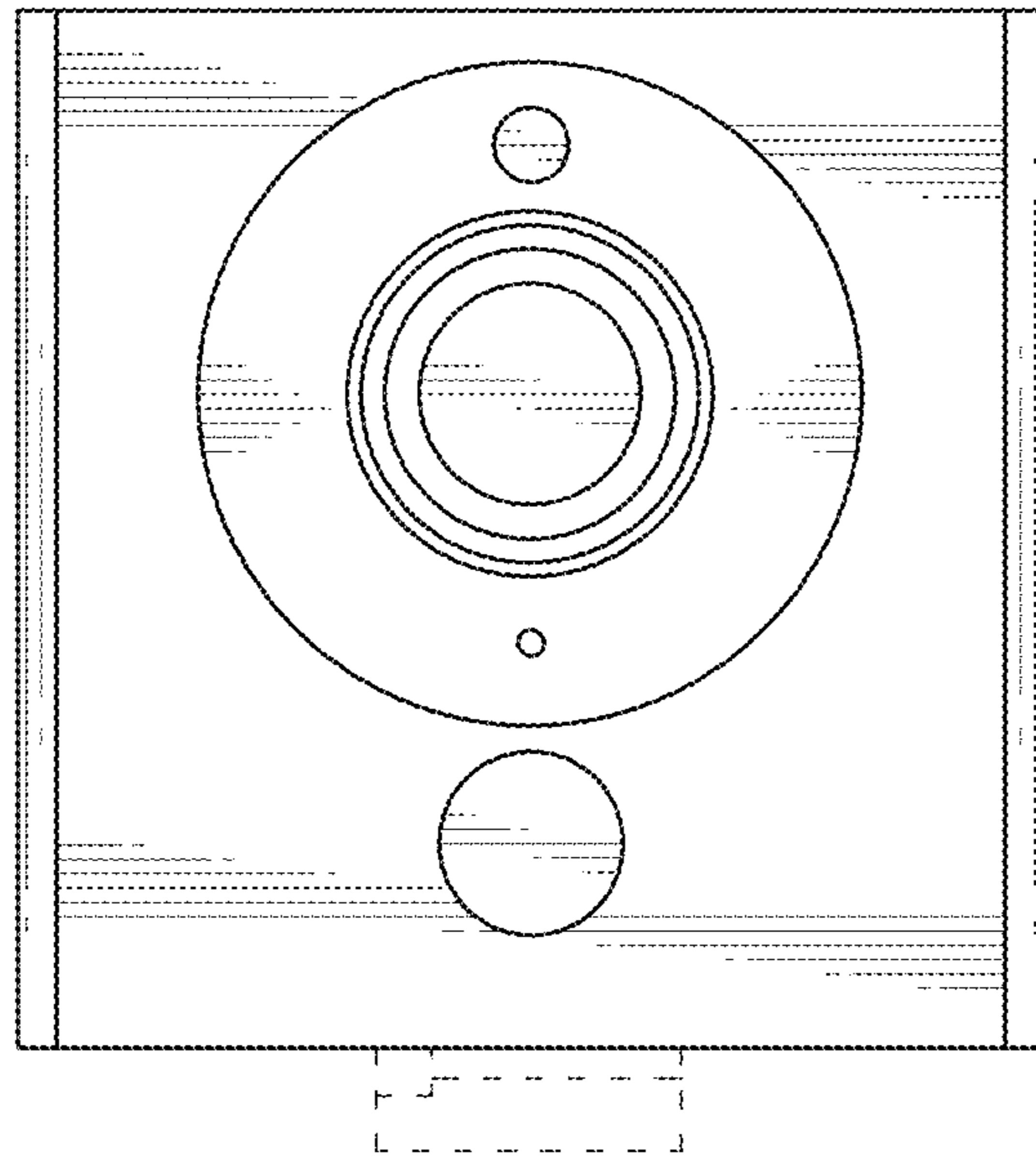


FIG. 1

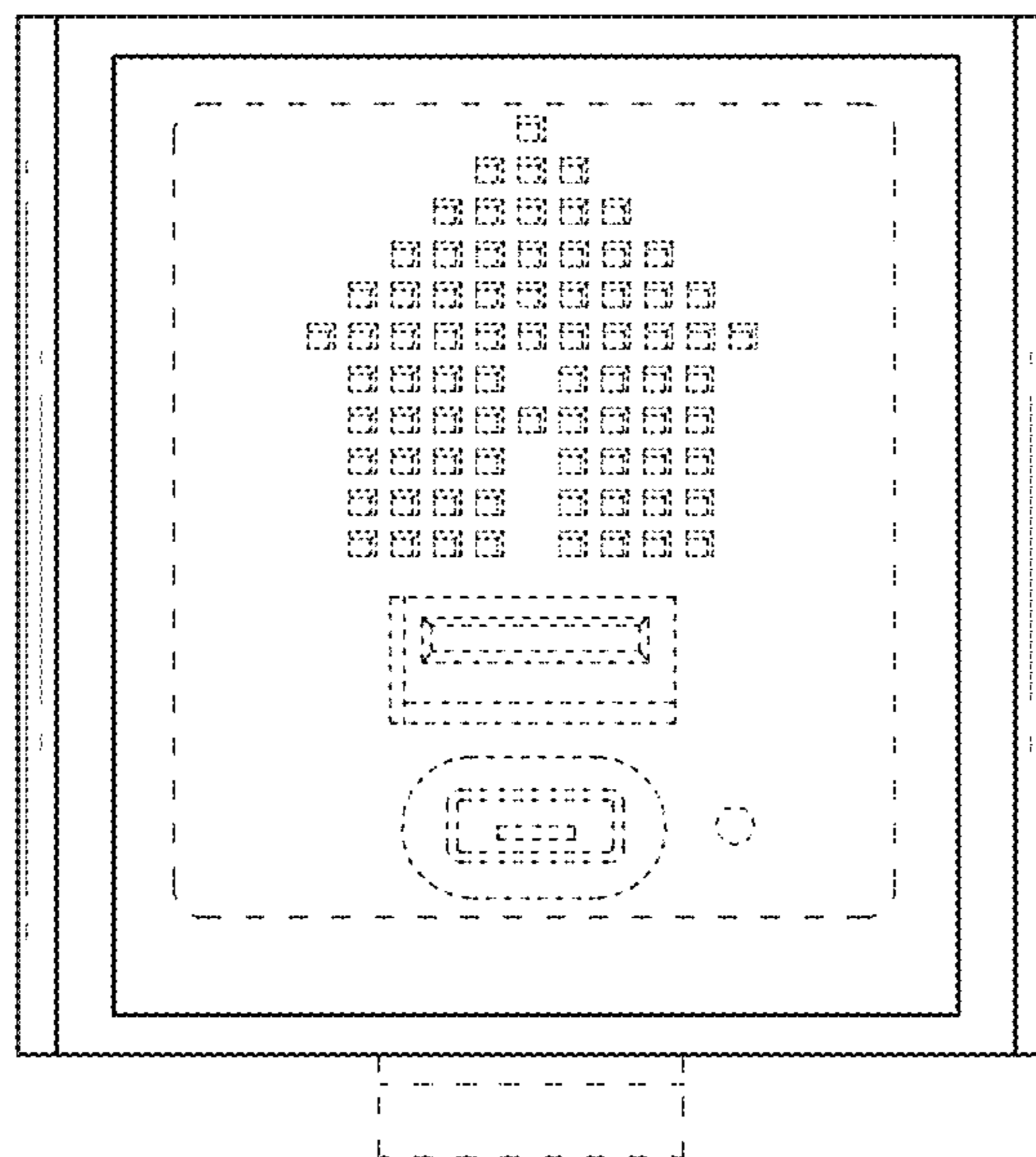


FIG. 2

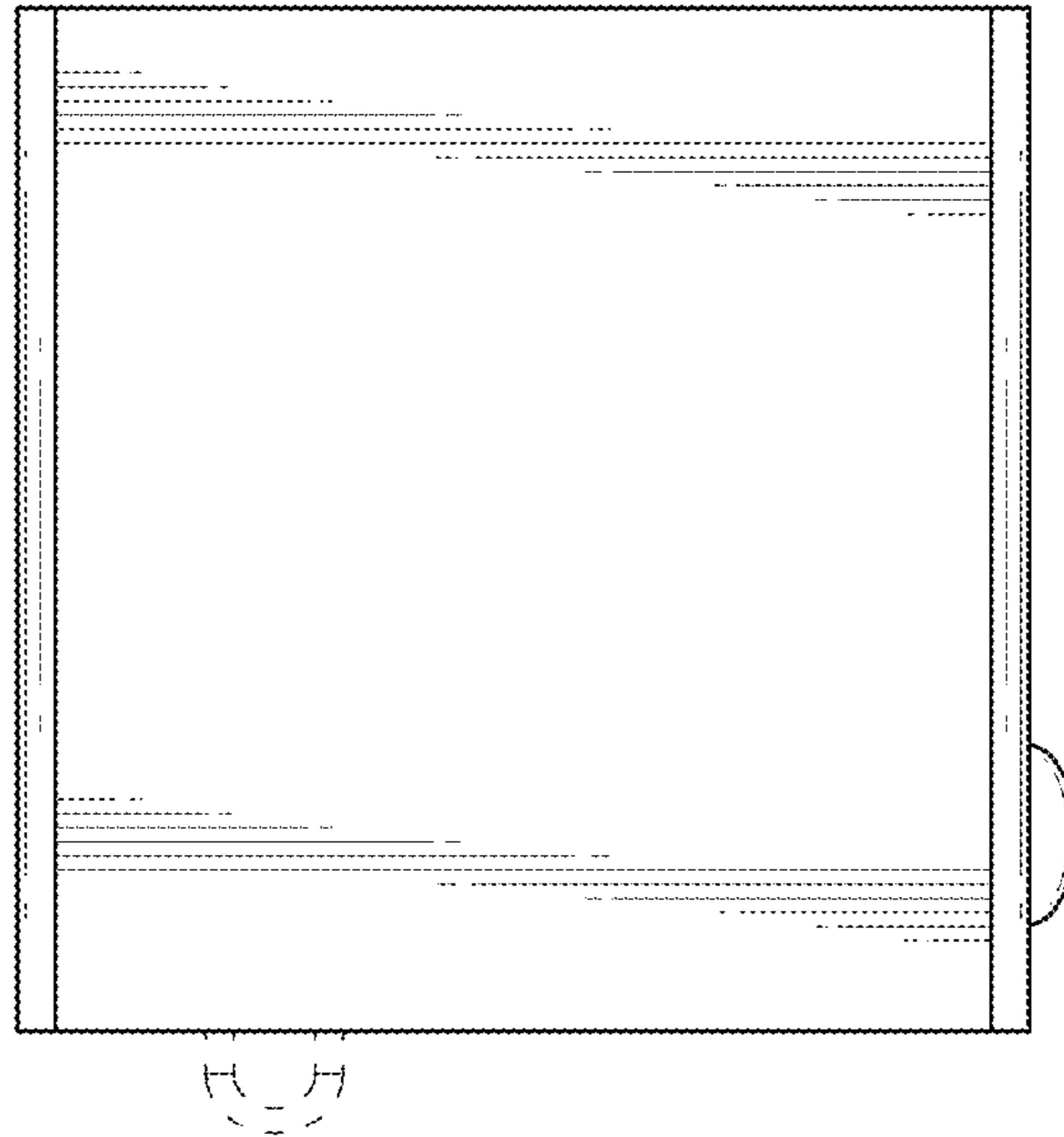


FIG. 3

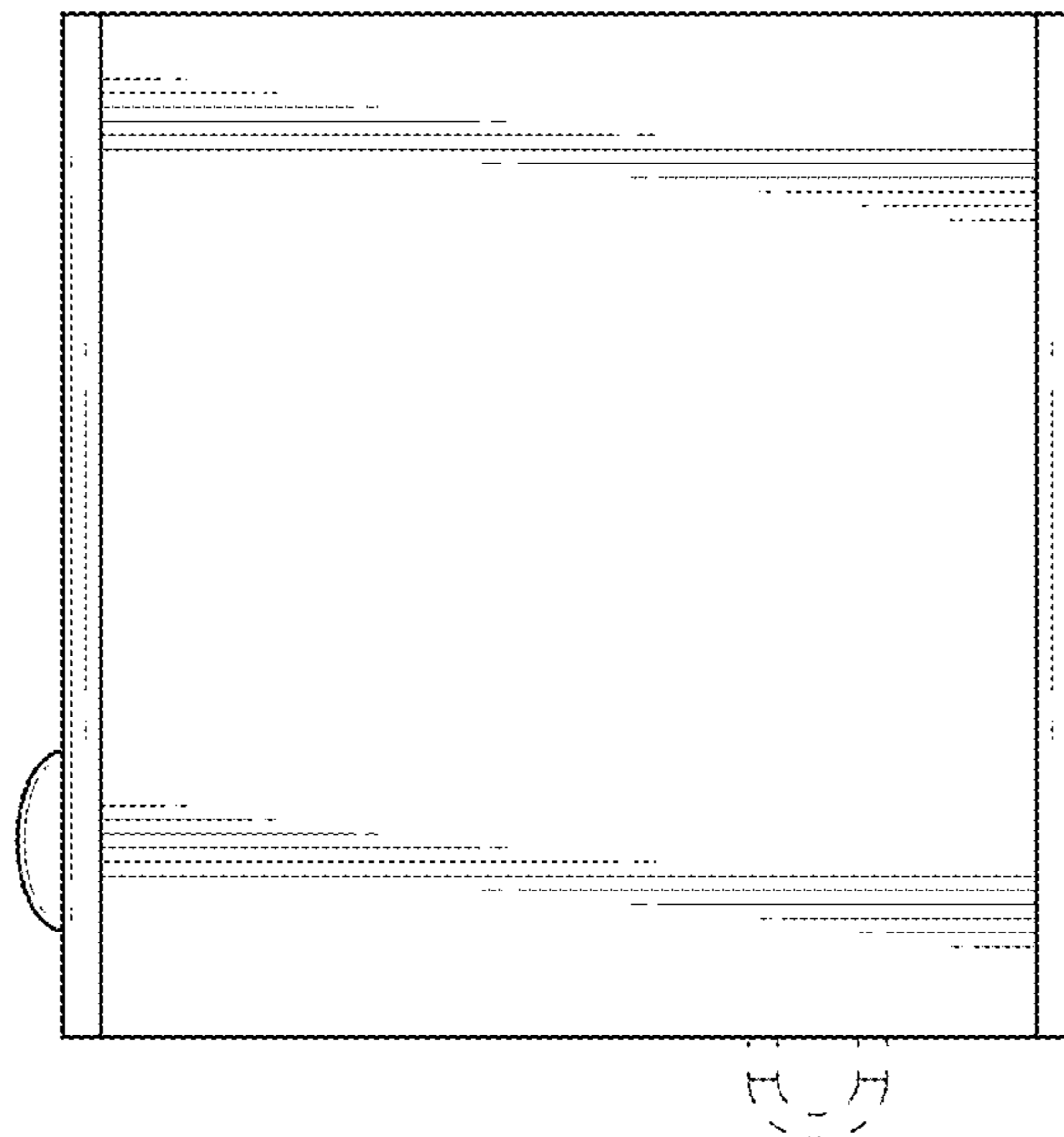


FIG. 4

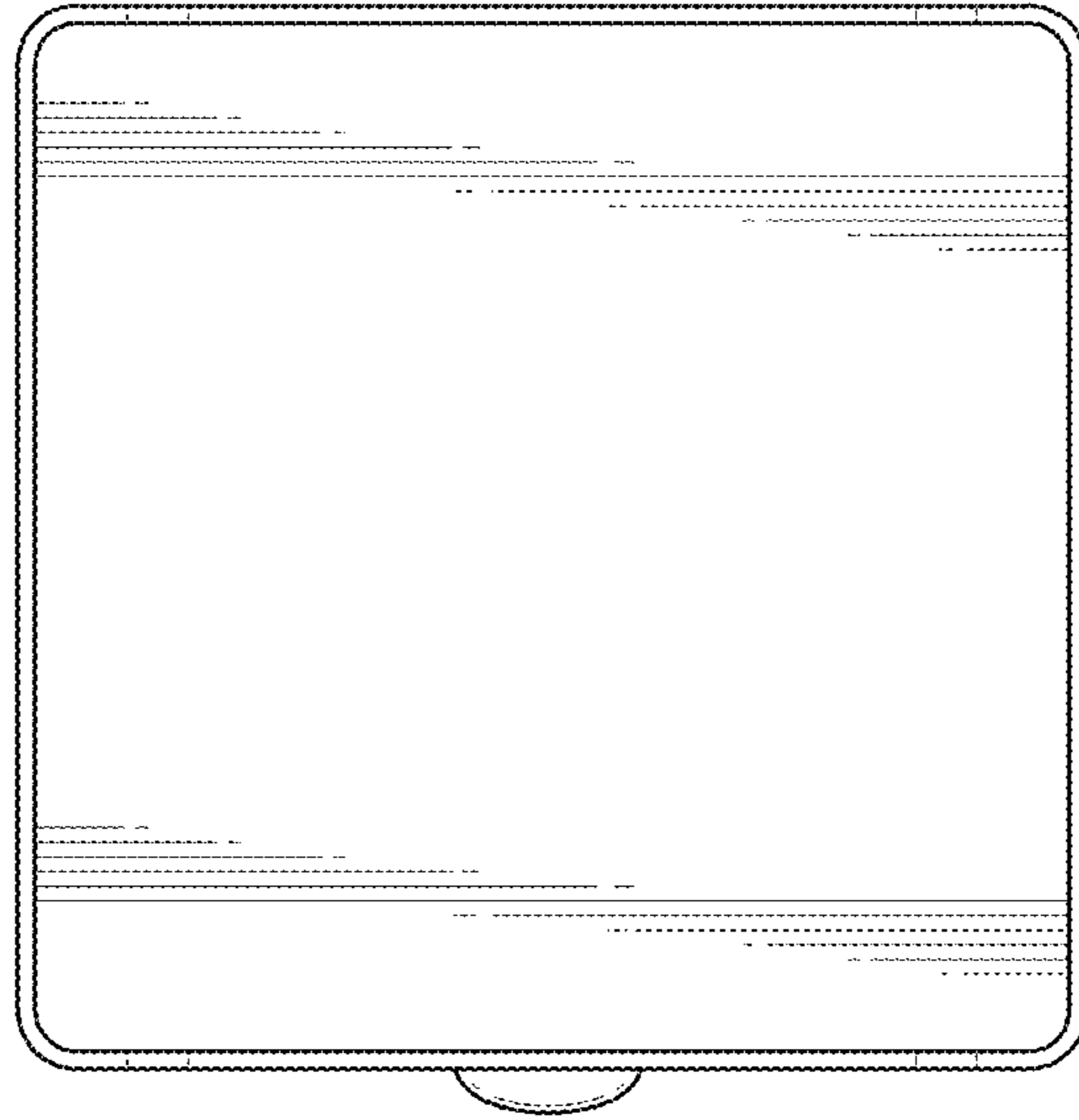


FIG. 5

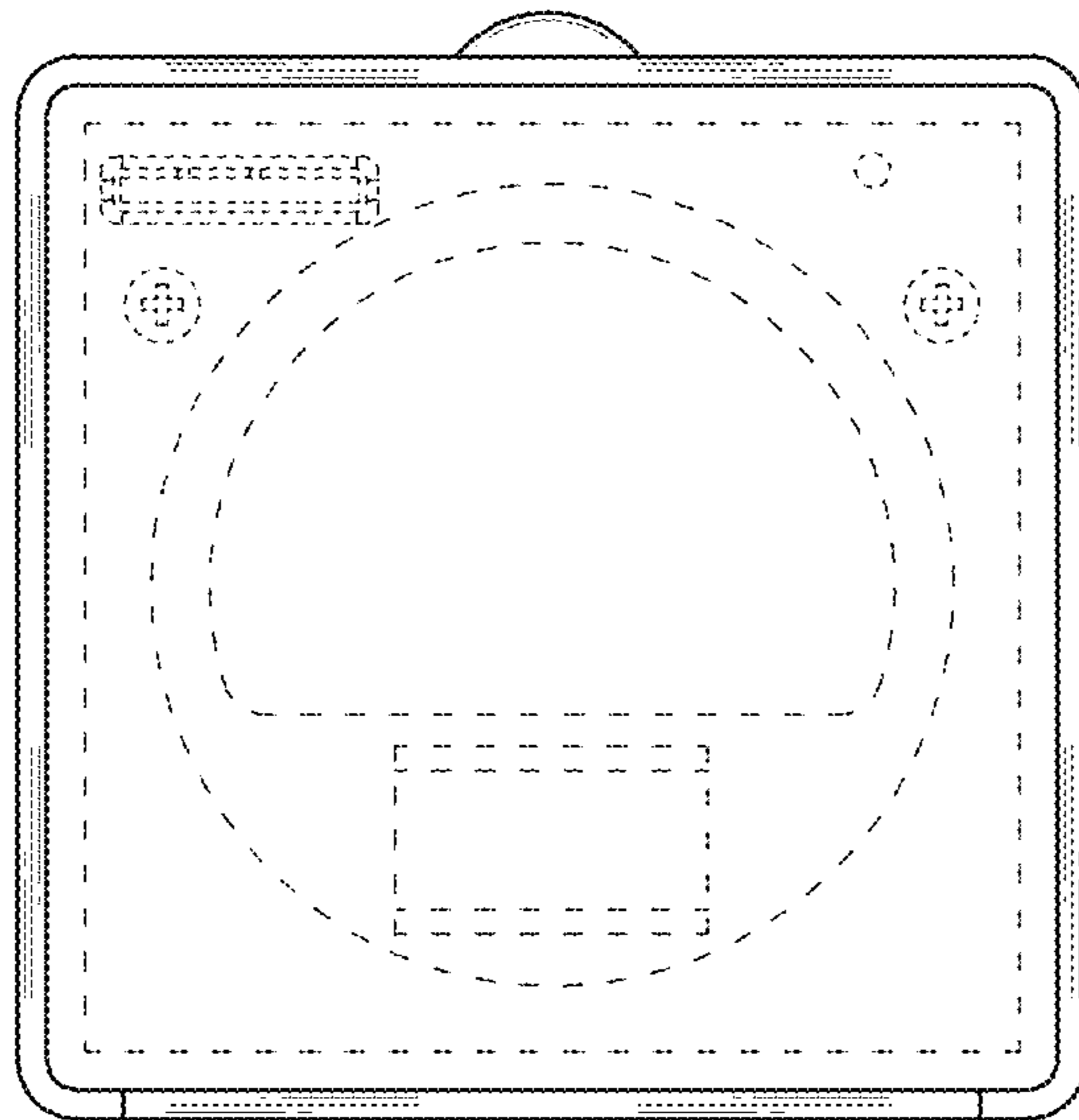


FIG. 6

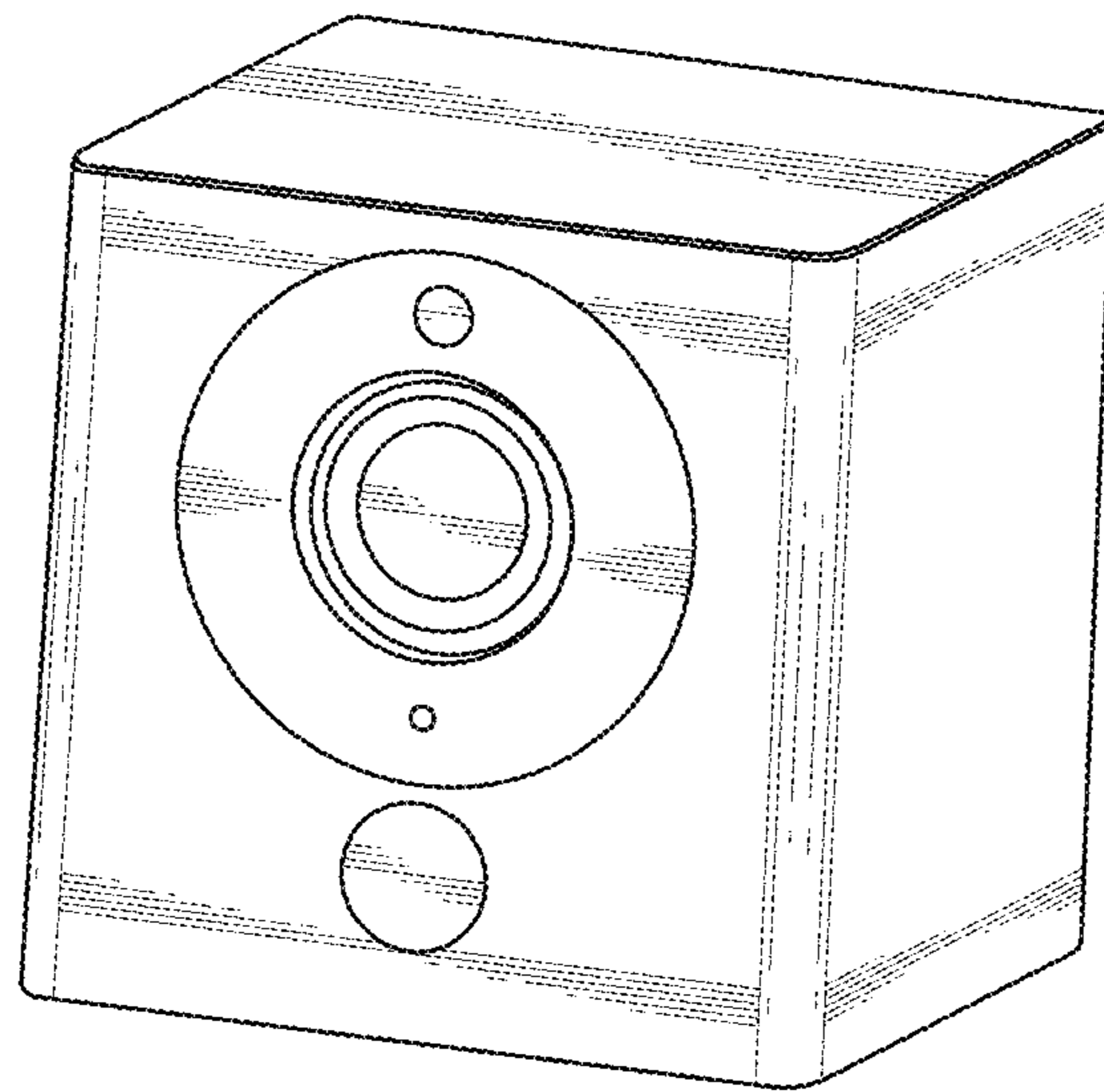


FIG. 7

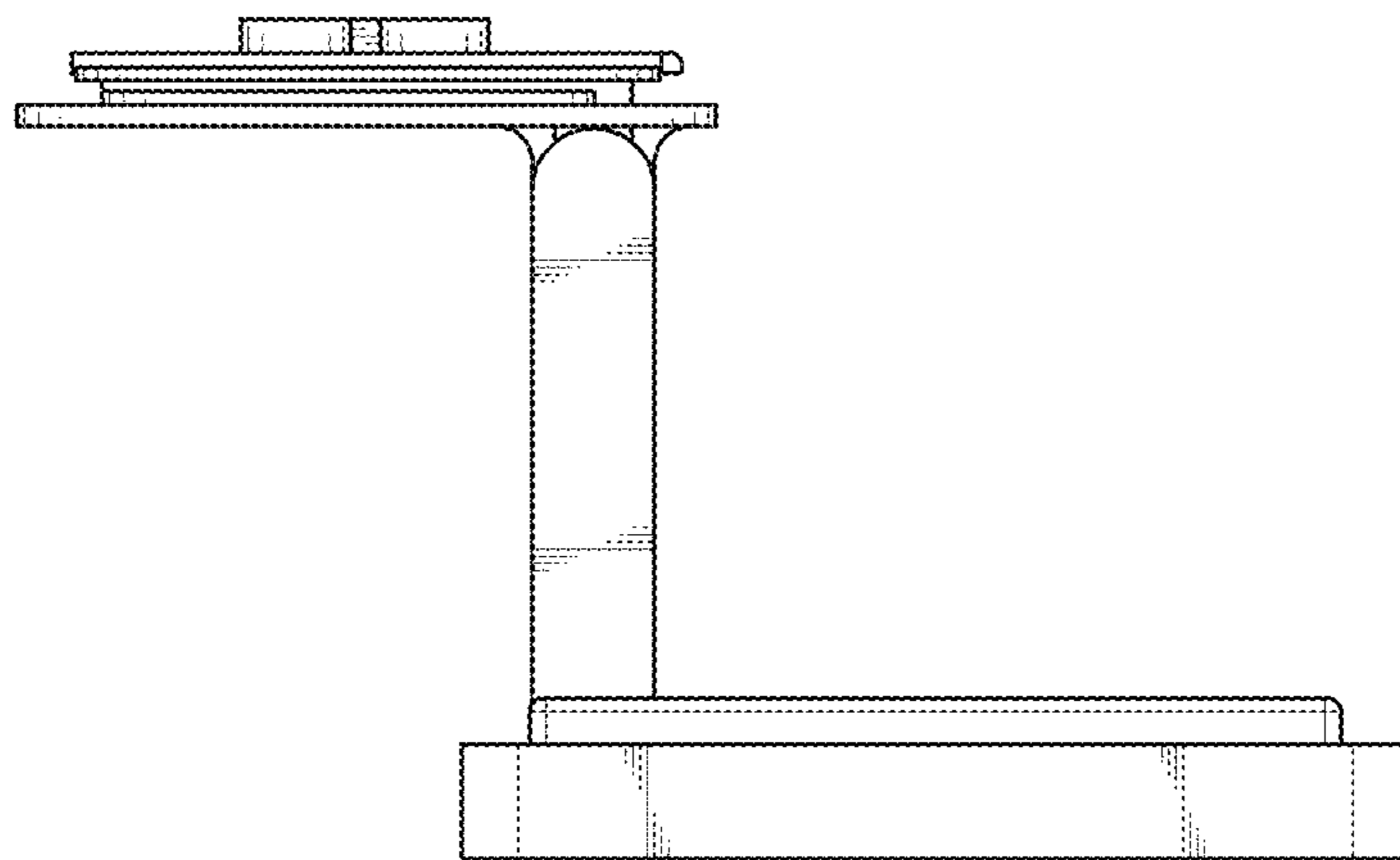


FIG. 8

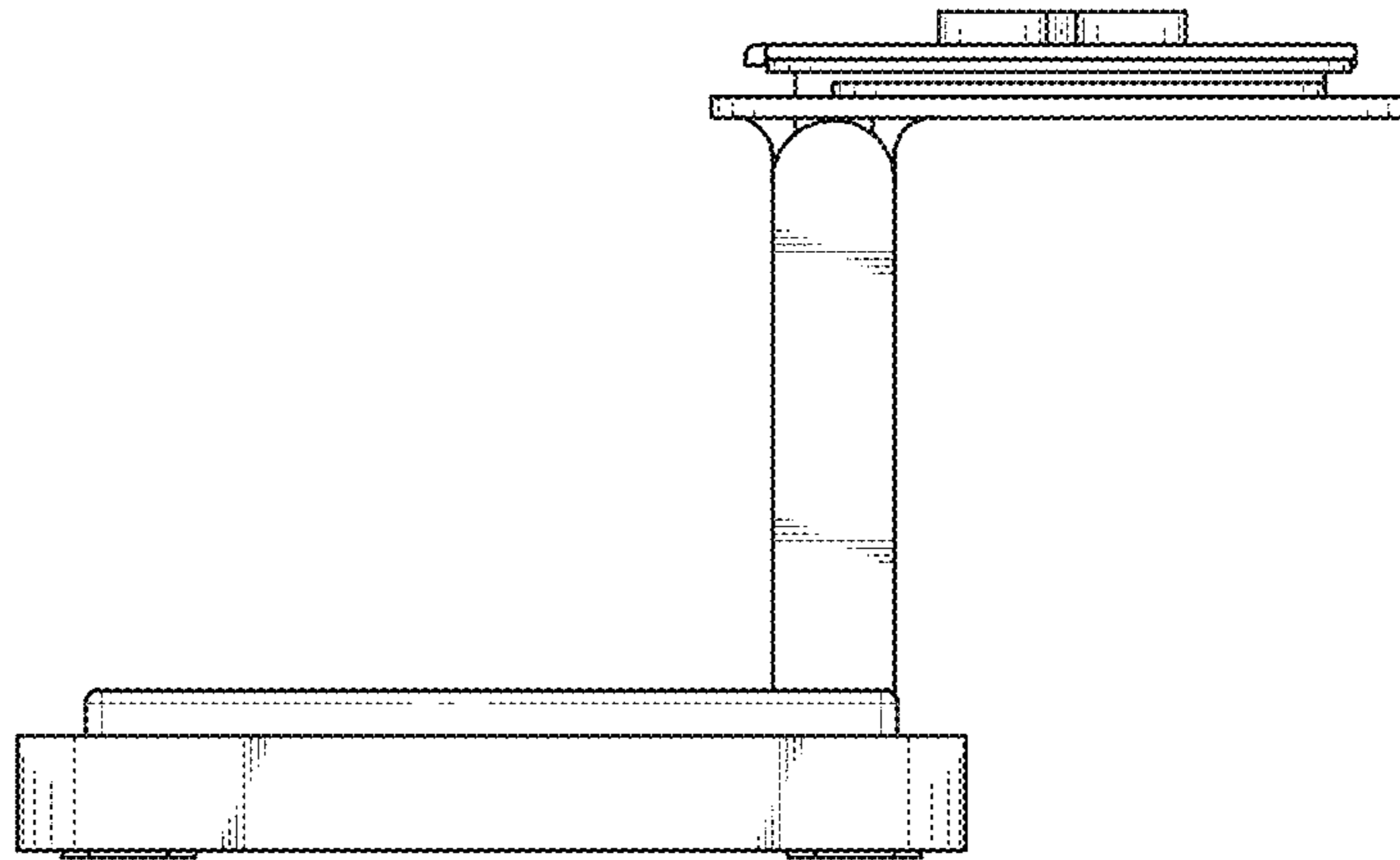


FIG. 9

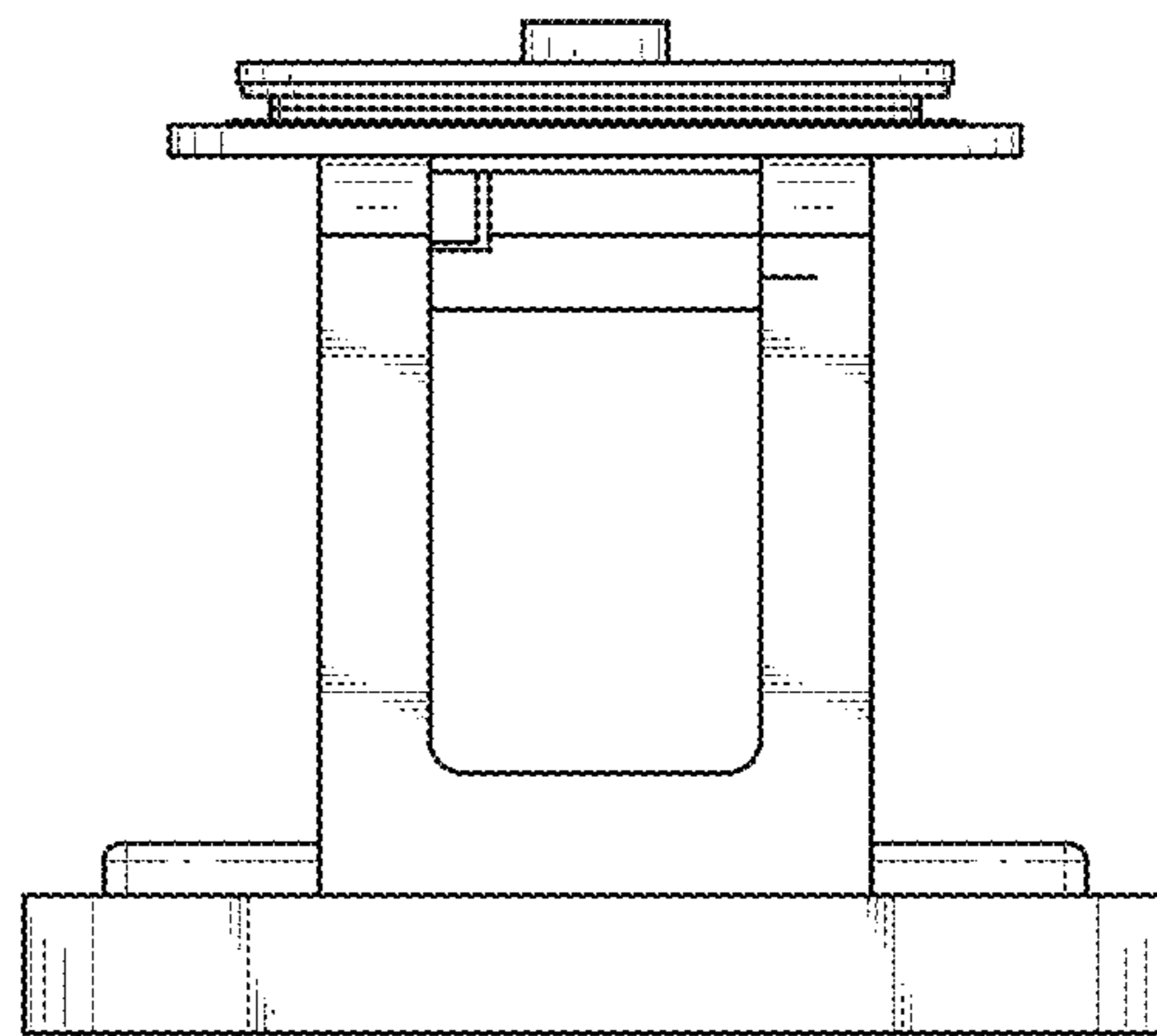


FIG. 10

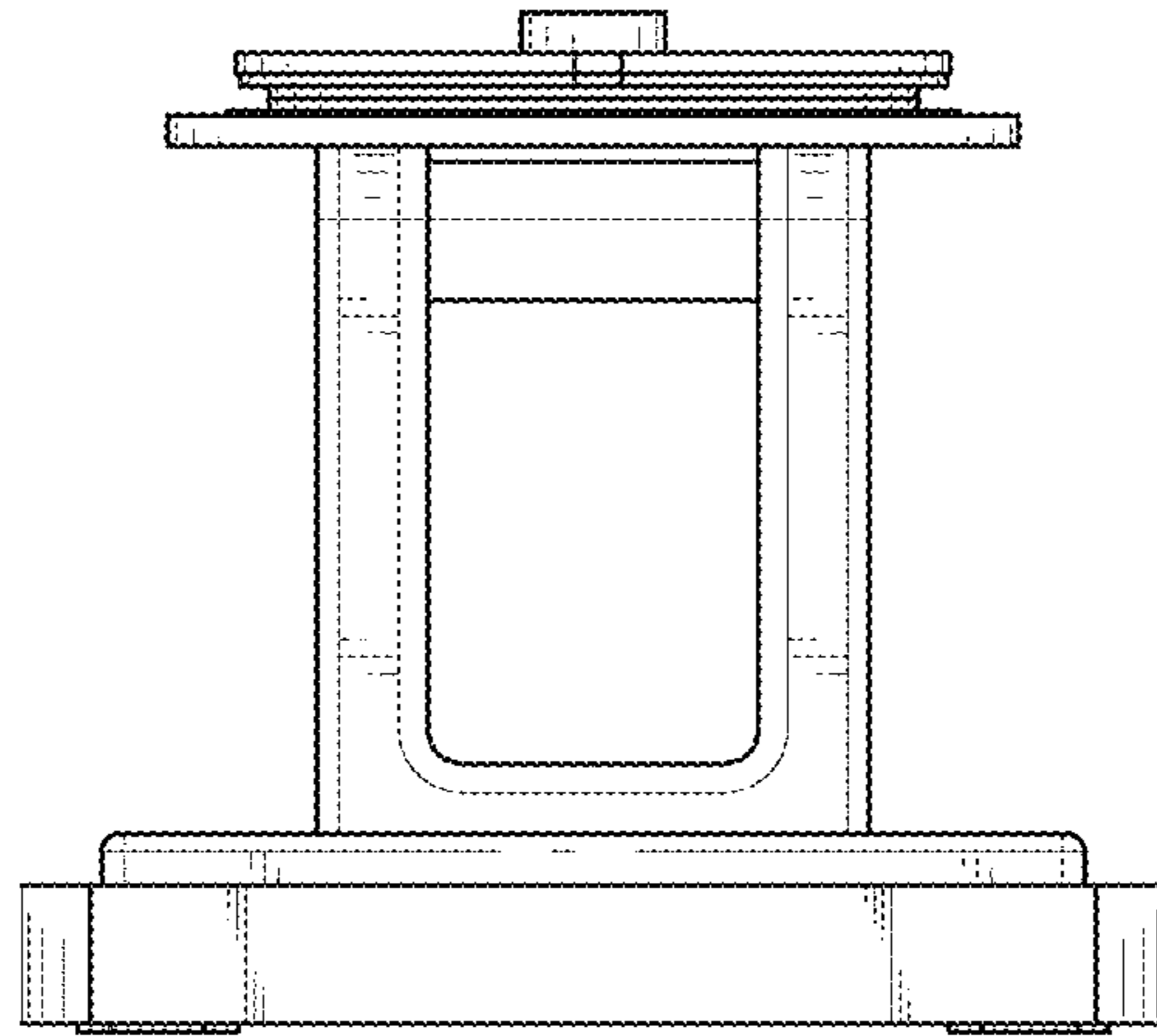


FIG. 11

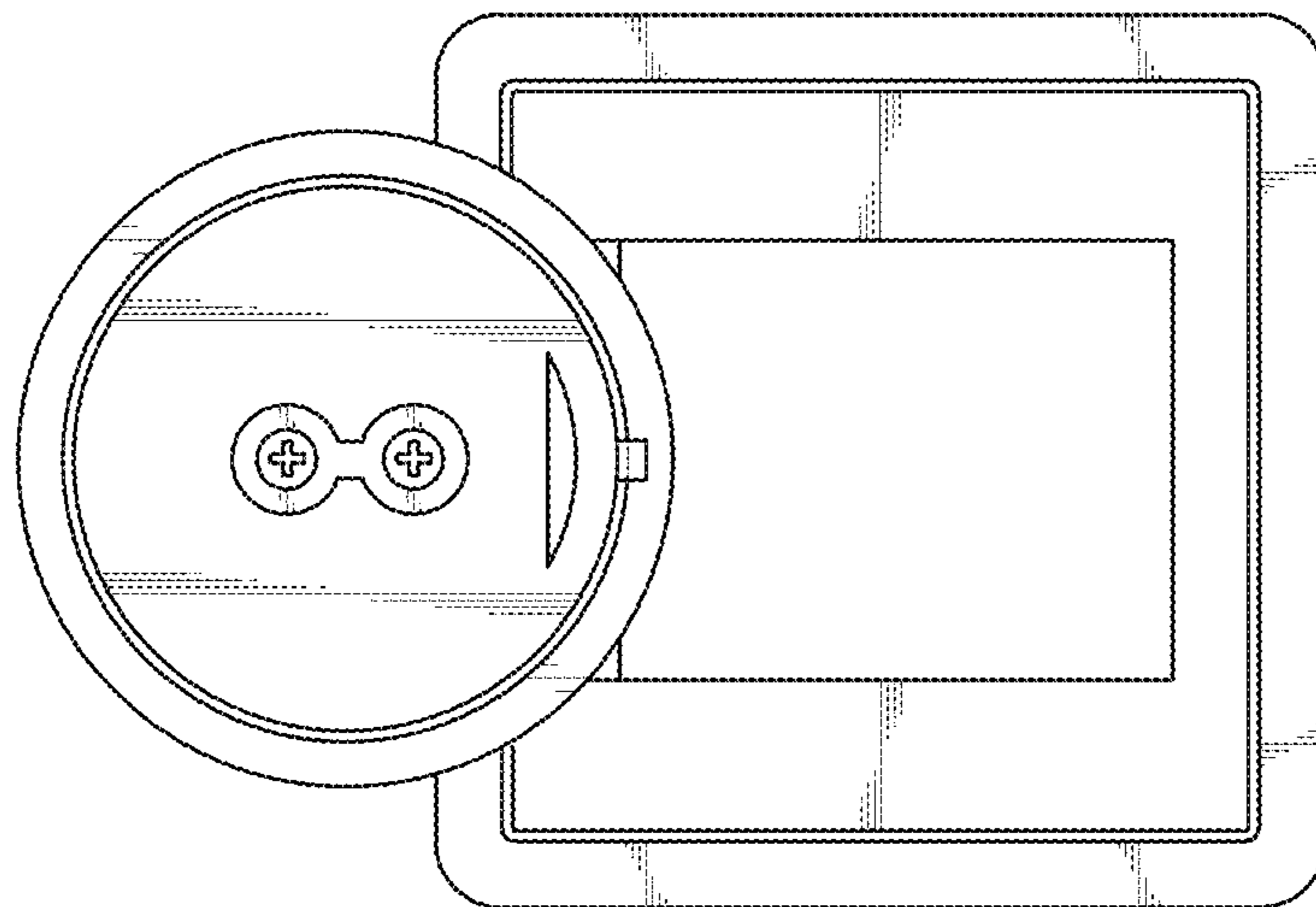


FIG. 12

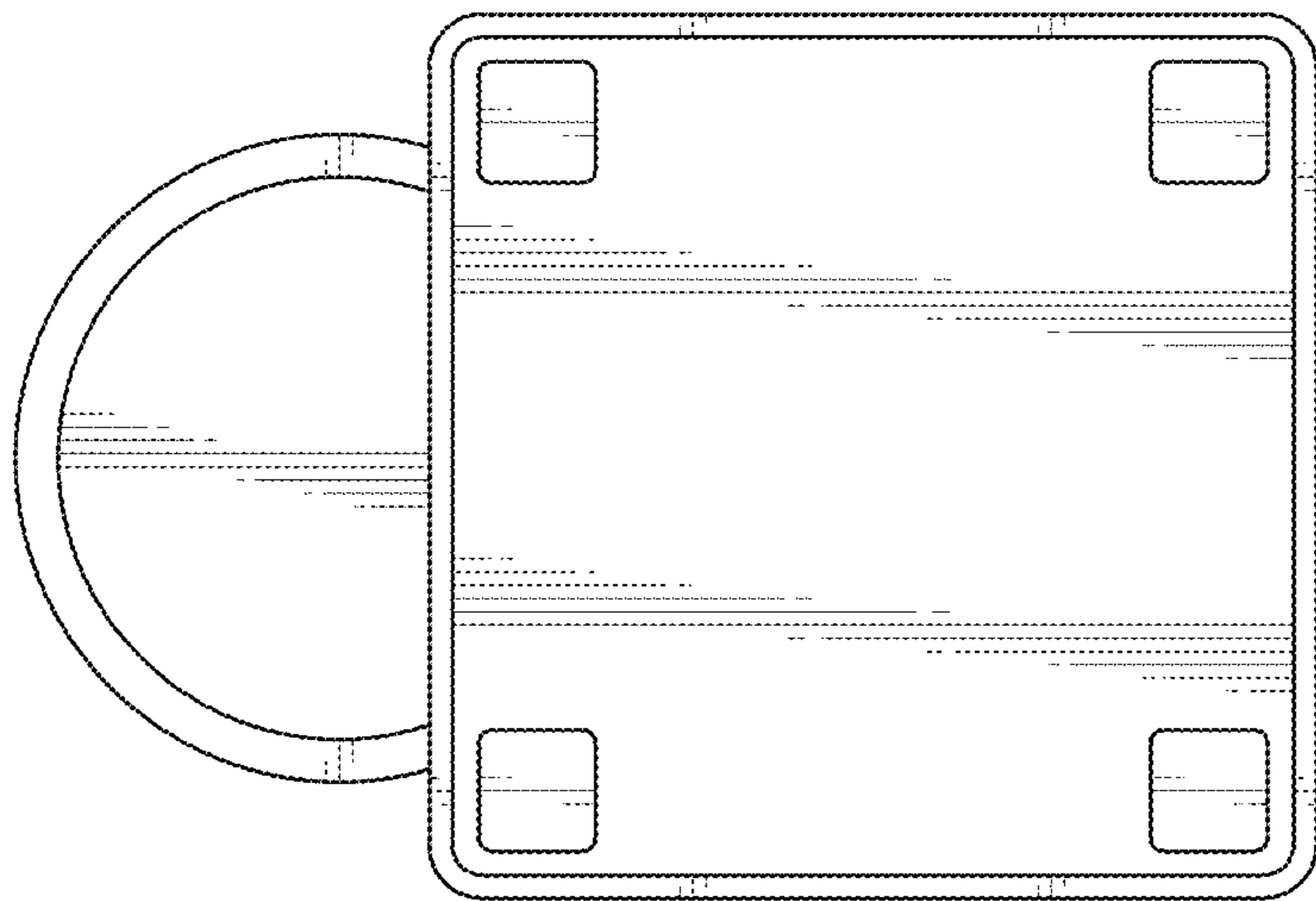


FIG. 13

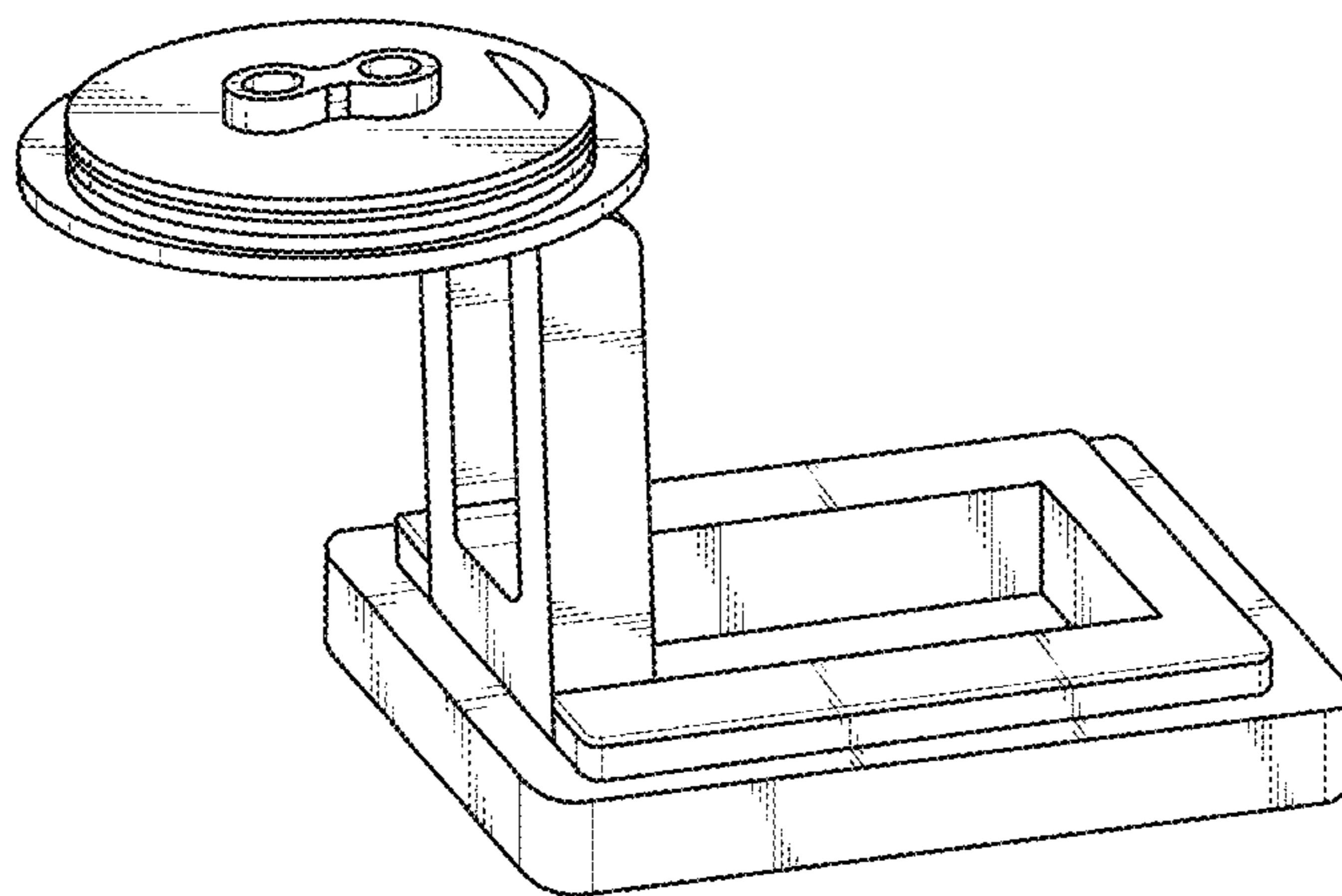


FIG. 14

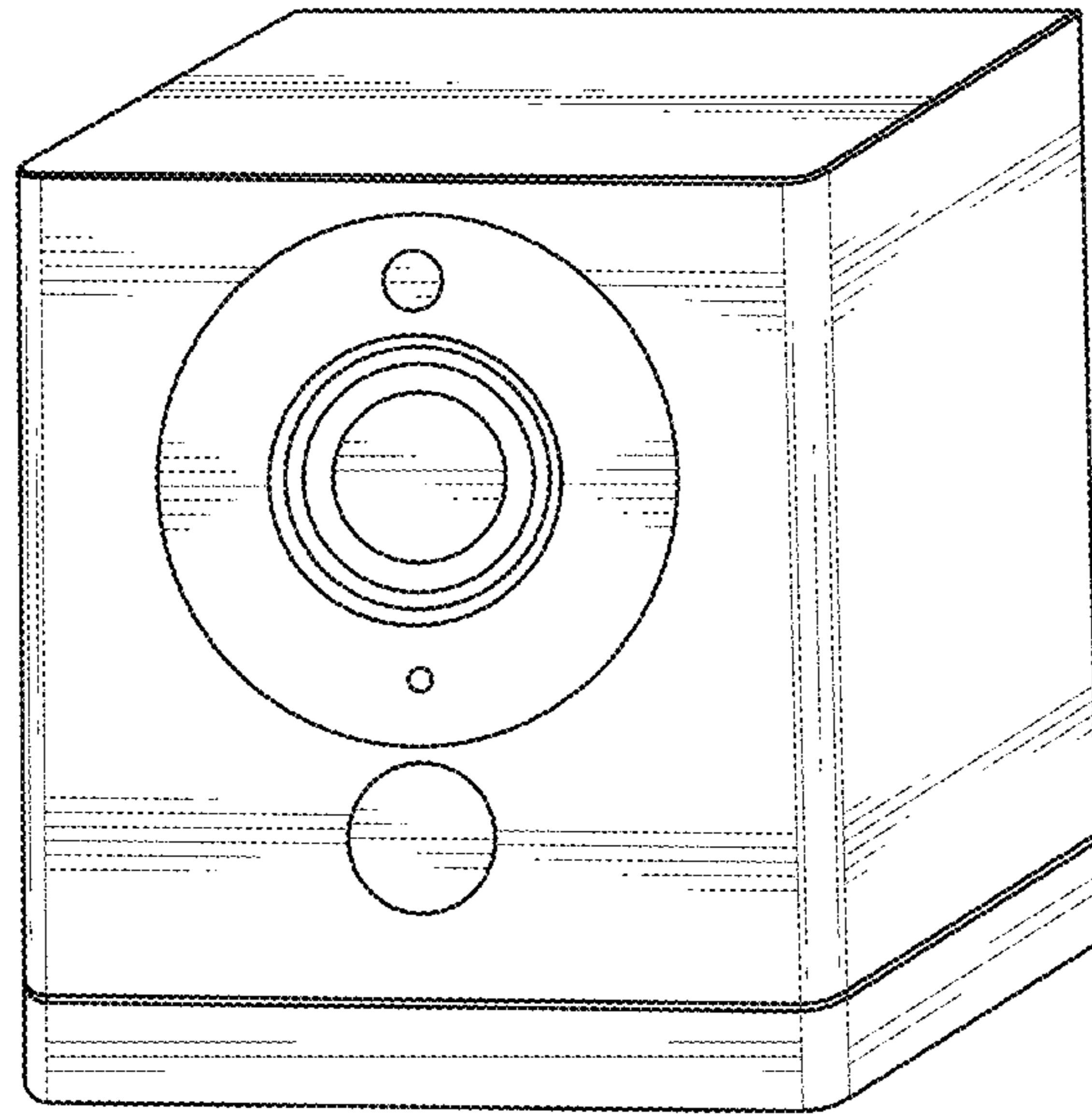


FIG. 15

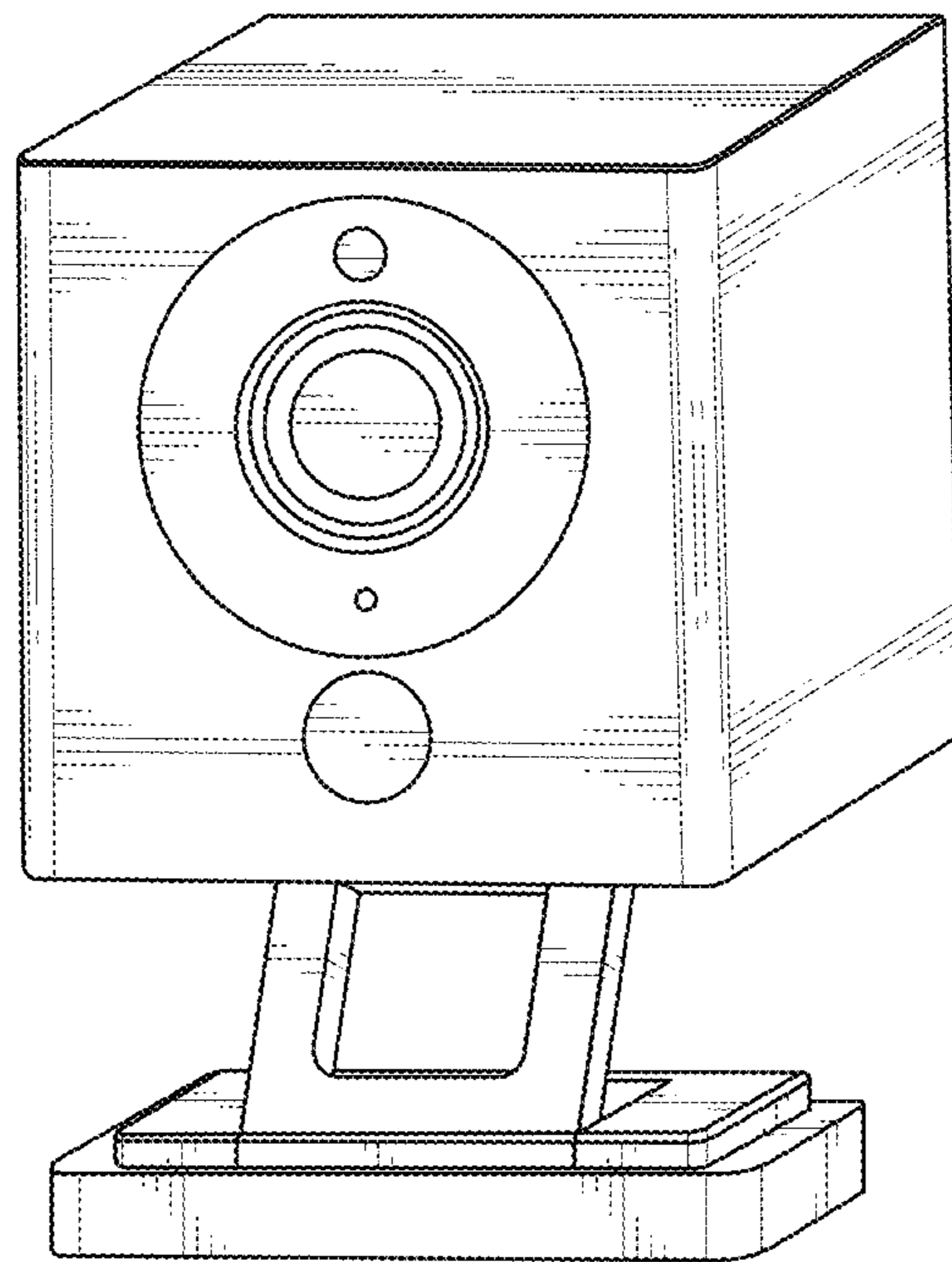


FIG. 16

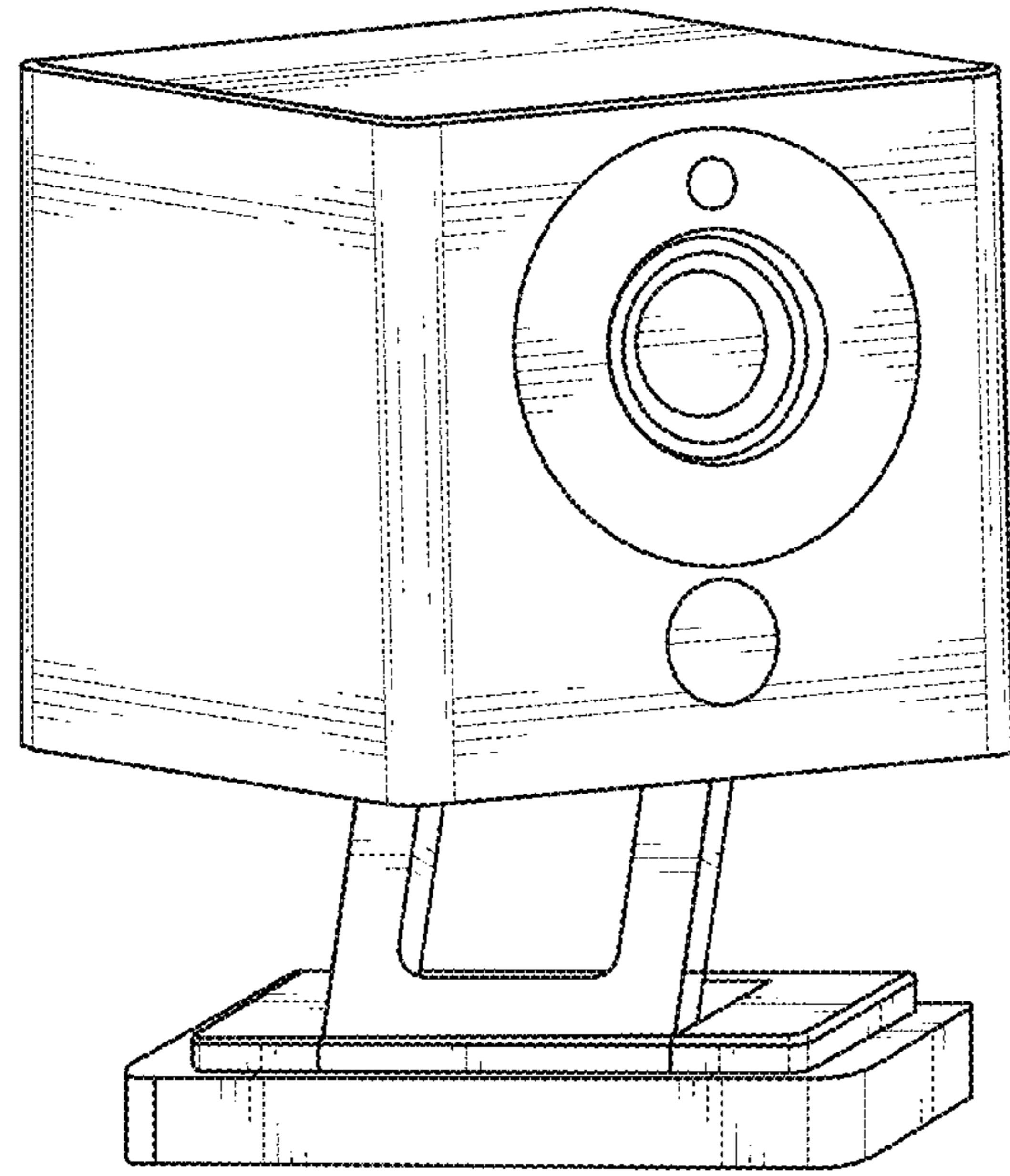


FIG. 17

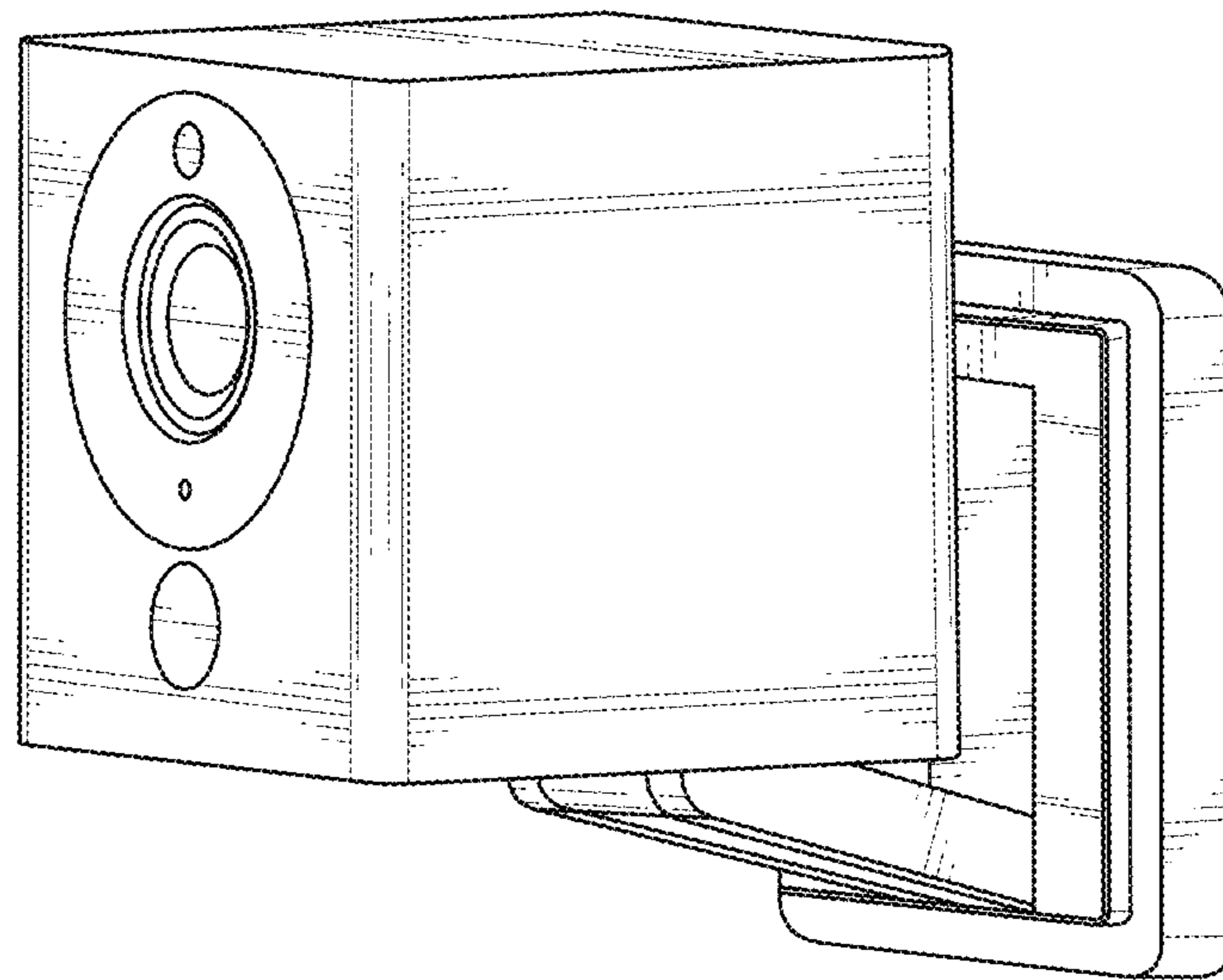


FIG. 18

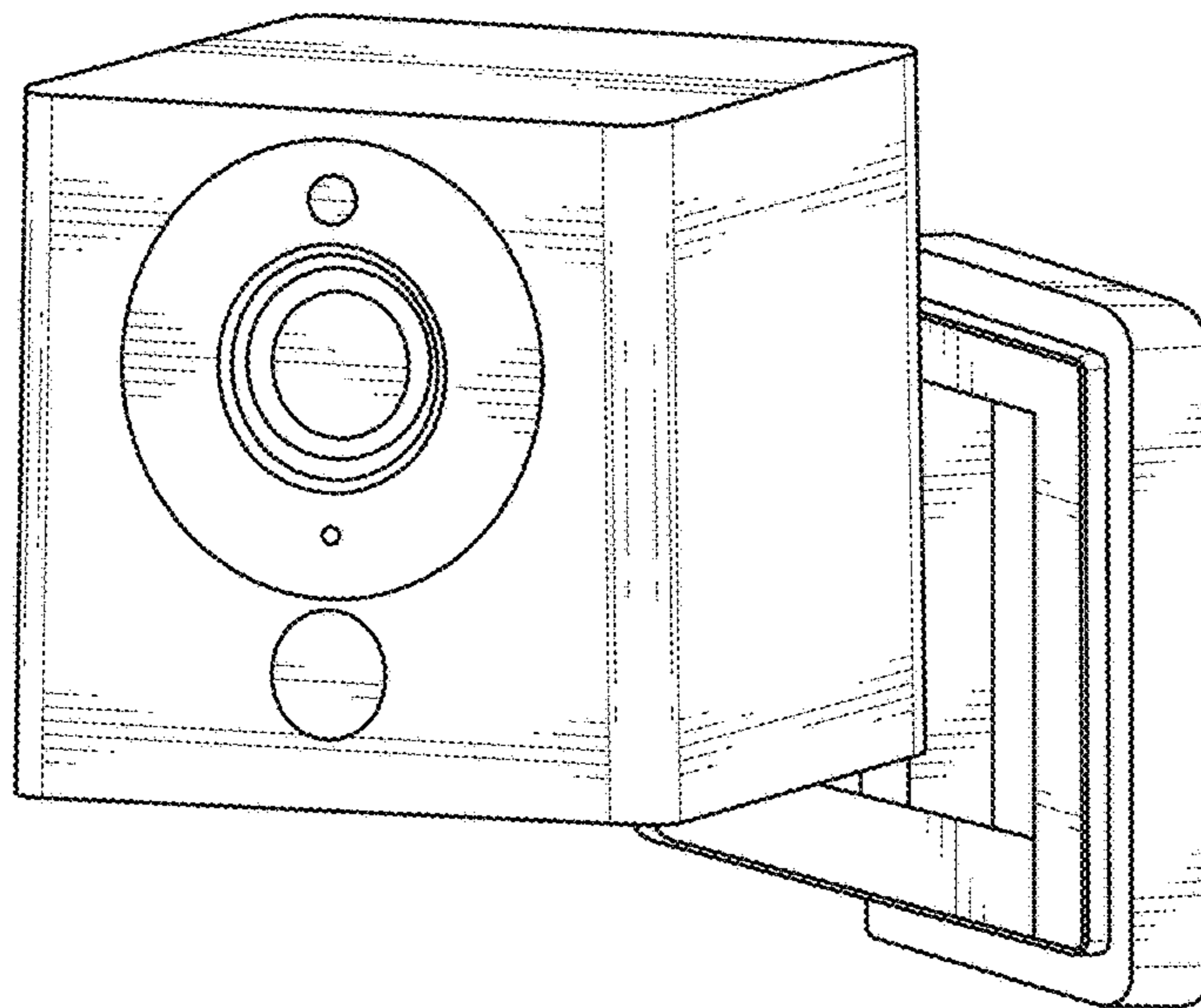


FIG. 19

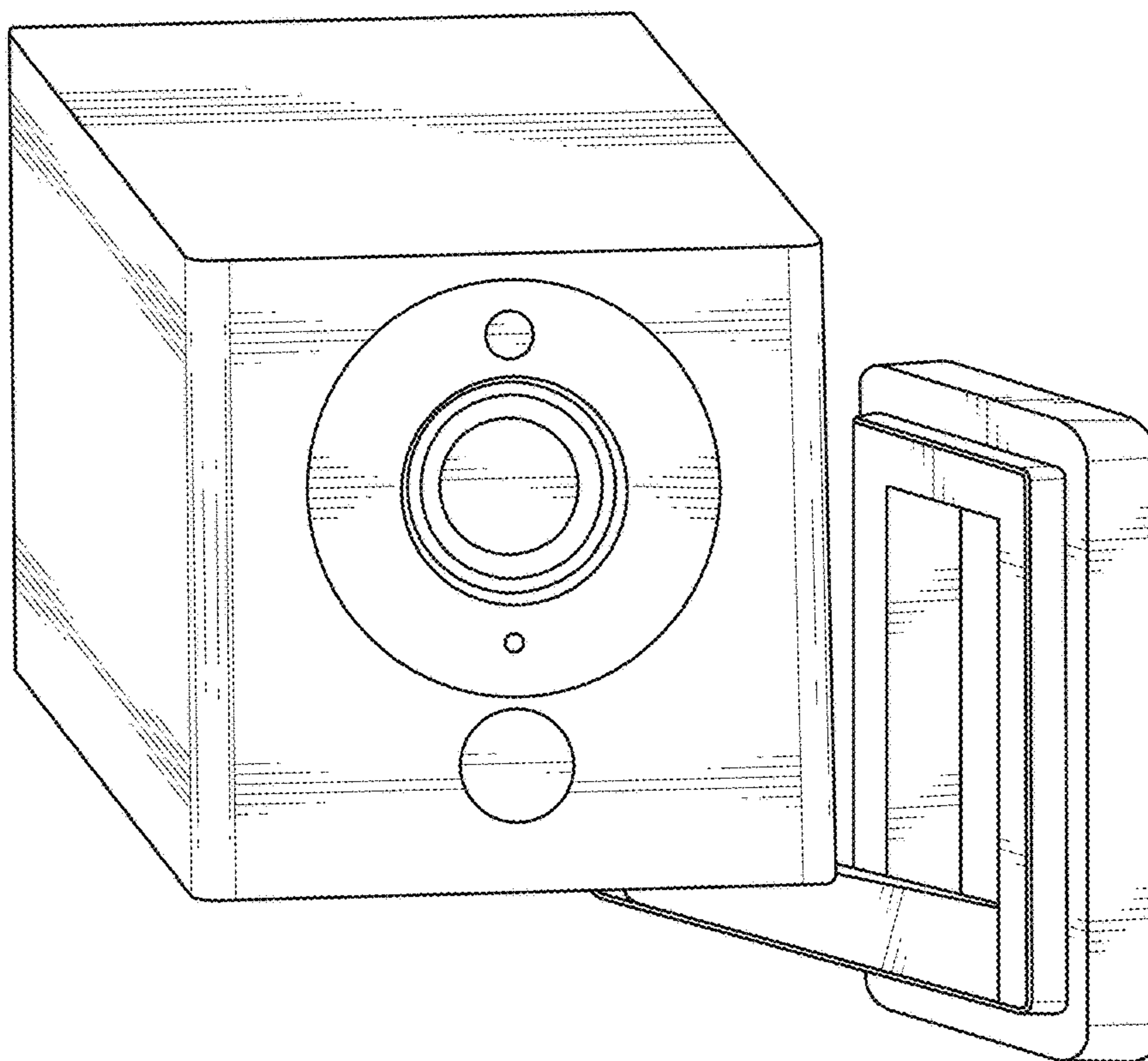


FIG. 20