



US00D858602S

(12) **United States Design Patent**
Fung

(10) **Patent No.:** **US D858,602 S**

(45) **Date of Patent:** **** Sep. 3, 2019**

(54) **CAMERA**

(71) Applicant: **Shenzhen NearbyExpress Technology Development Company Limited**,
Shenzhen (CN)

(72) Inventor: **Allen Fung**, Fremont, CA (US)

(73) Assignee: **Shenzhen NearbyExpress Technology Development Company Limited**,
Shenzhen (CN)

(**) Term: **15 Years**

(21) Appl. No.: **29/646,263**

(22) Filed: **May 2, 2018**

(51) **LOC (12) Cl.** **16-01**

(52) **U.S. Cl.**
USPC **D16/202**

(58) **Field of Classification Search**
USPC D16/200, 202–210, 214, 218, 219, 242;
348/14.01–14.06, 143, 148, 151,
348/373–376; 396/419, 427, 535,
396/539–541; 248/176.1, 187.1, 346.5;
224/908

CPC G03B 17/02; G03B 19/04; G03B 17/56;
G03B 17/04; G03B 15/03; H04N 5/2251;
H04N 5/2252; H04N 5/2253; H04N
5/2254; H04N 2007/145; H04N 7/141;
H04N 7/142; H04N 7/147; H04N 7/148;
H04N 7/15; H04N 7/152

See application file for complete search history.

(56) **References Cited**

U.S. PATENT DOCUMENTS

D527,406 S * 8/2006 Lin D16/202
D690,344 S * 9/2013 Hollinger D16/200

D700,232 S * 2/2014 Ramsay D16/207
D723,604 S * 3/2015 Mohan D16/203
D730,966 S * 6/2015 Liu D16/202
D731,579 S * 6/2015 Bart D16/203
D742,955 S * 11/2015 Kozko D16/207
D745,076 S * 12/2015 Pfeil D16/207
D750,147 S * 2/2016 Muller D16/203
D834,634 S * 11/2018 Huang D16/210
D849,100 S * 5/2019 Hsu D16/210
2011/0128349 A1 * 6/2011 Theobald H04N 5/23238
348/36
2013/0258102 A1 * 10/2013 Chen G03B 17/02
348/143

* cited by examiner

Primary Examiner — Ramzi S Almatrahi

(74) *Attorney, Agent, or Firm* — ScienBiziP, P.C.

(57) **CLAIM**

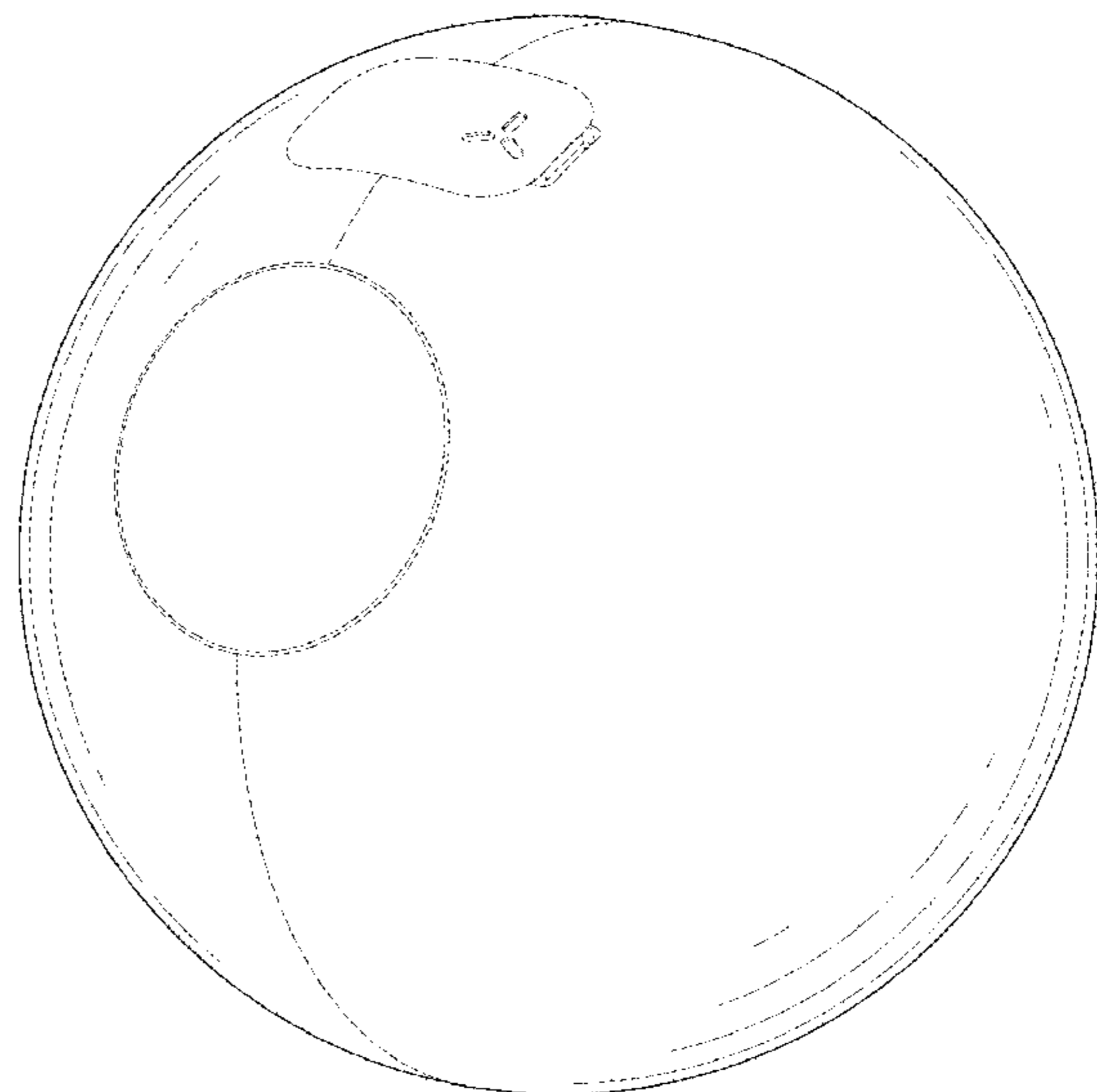
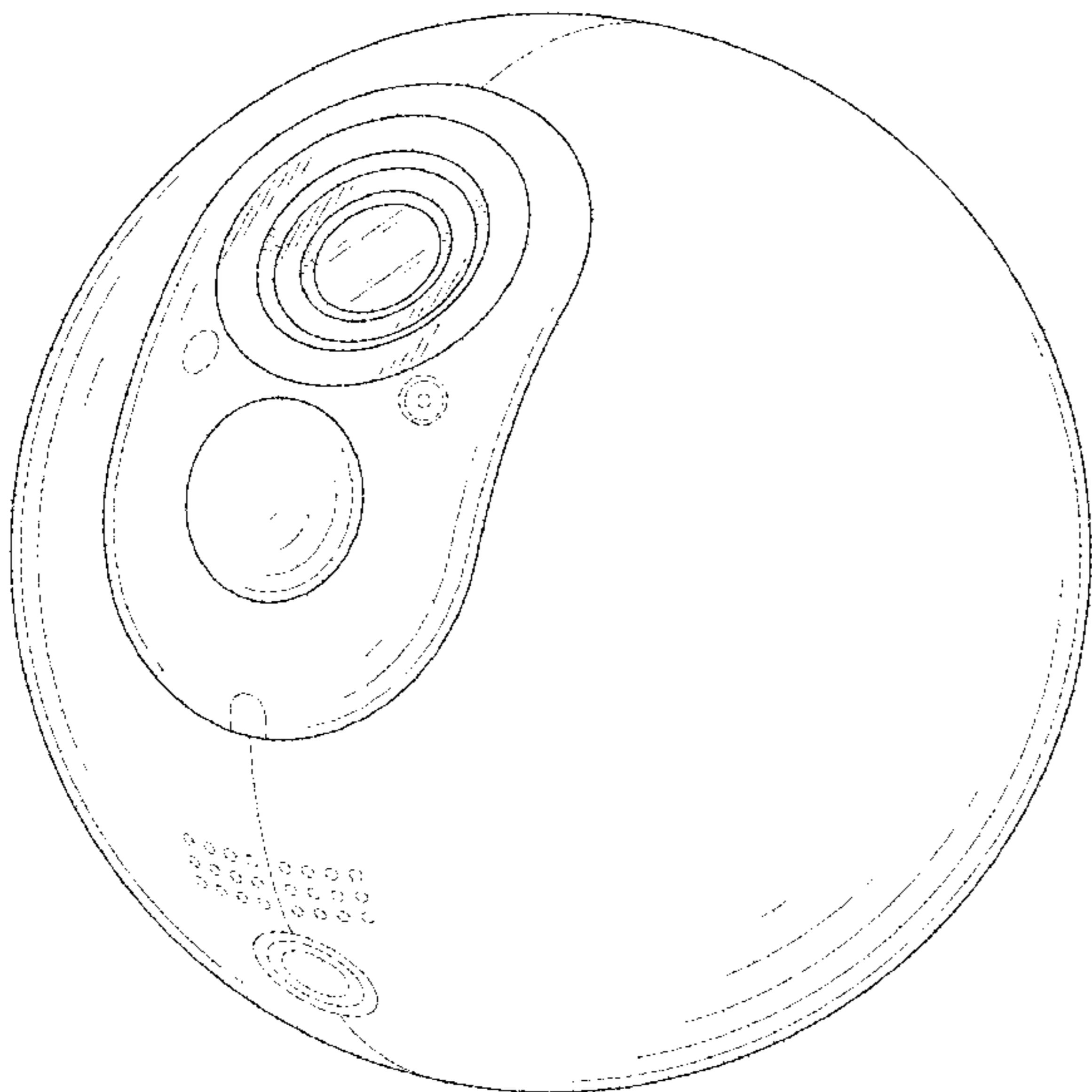
The ornamental design for a camera, as shown and described.

DESCRIPTION

FIG. 1 is a front perspective view of a camera showing my new design;
FIG. 2 is a rear perspective view thereof;
FIG. 3 is a front elevation view thereof;
FIG. 4 is a rear elevation view thereof;
FIG. 5 is a left side elevation view thereof;
FIG. 6 is a right side elevation view thereof;
FIG. 7 is a top plan view thereof; and,
FIG. 8 is a bottom plan view thereof.

The broken lines depict portions of the camera in which the design is embodied that form no part of the claimed design.

1 Claim, 8 Drawing Sheets



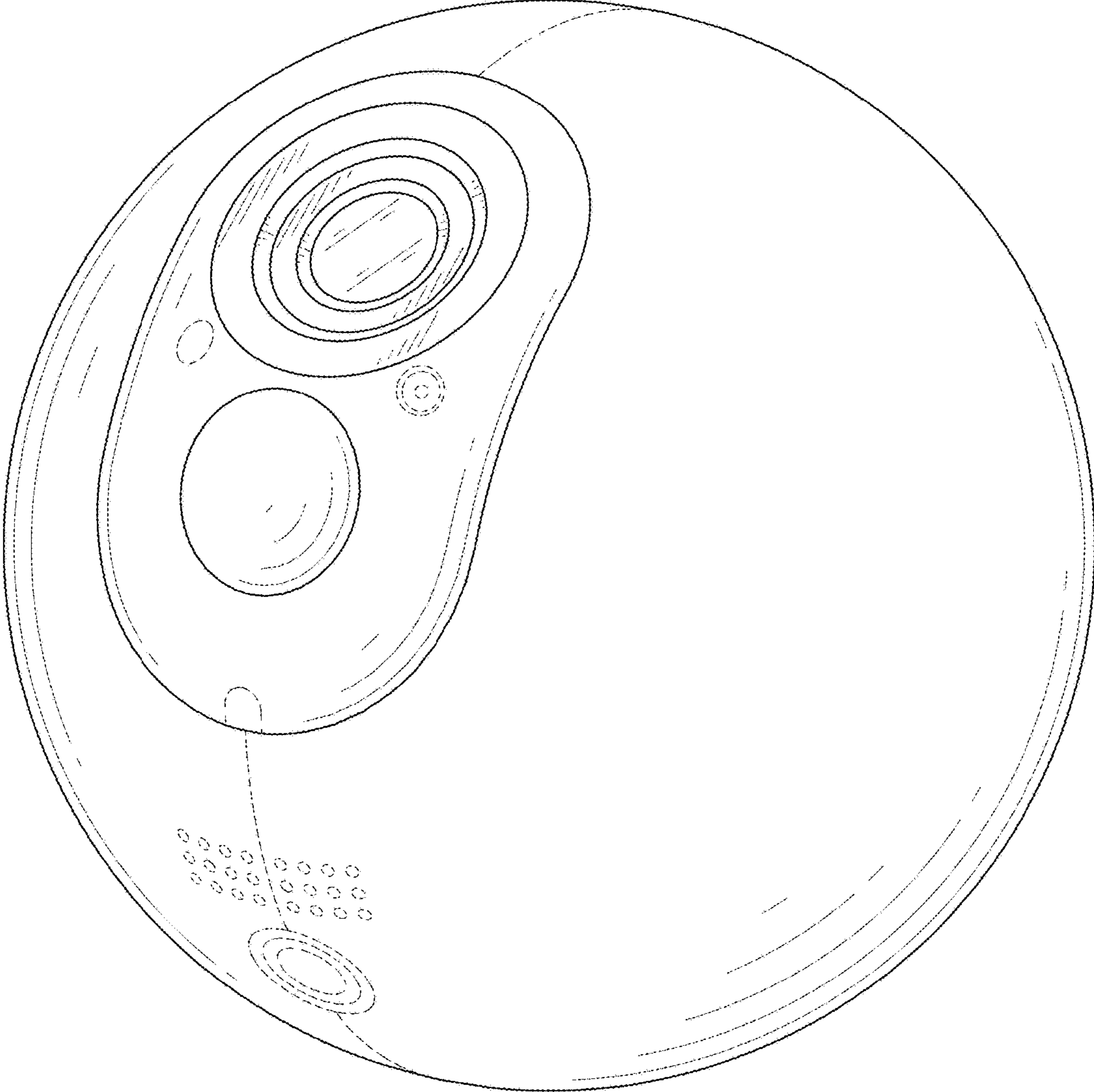


FIG. 1

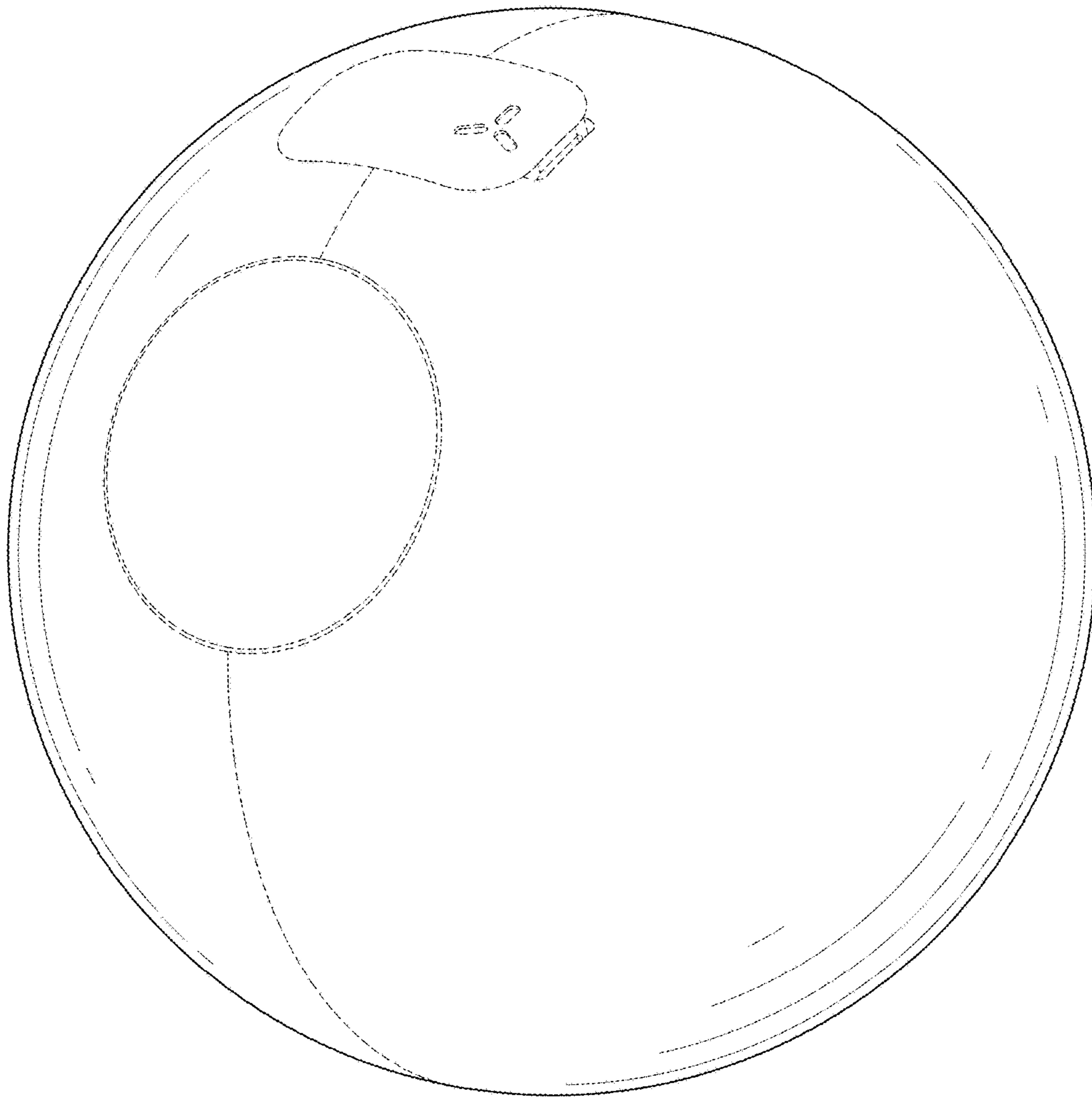


FIG. 2

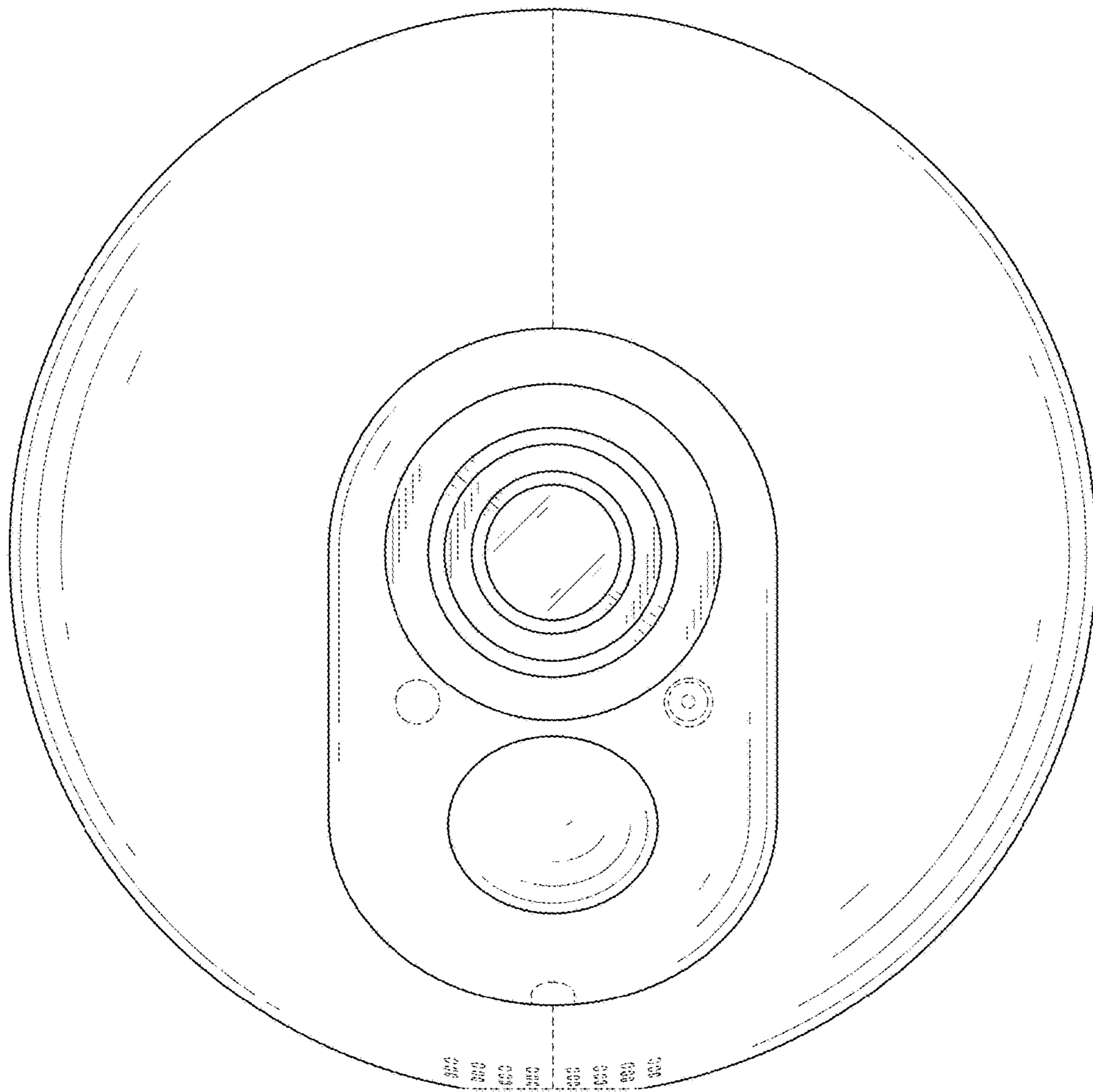


FIG. 3

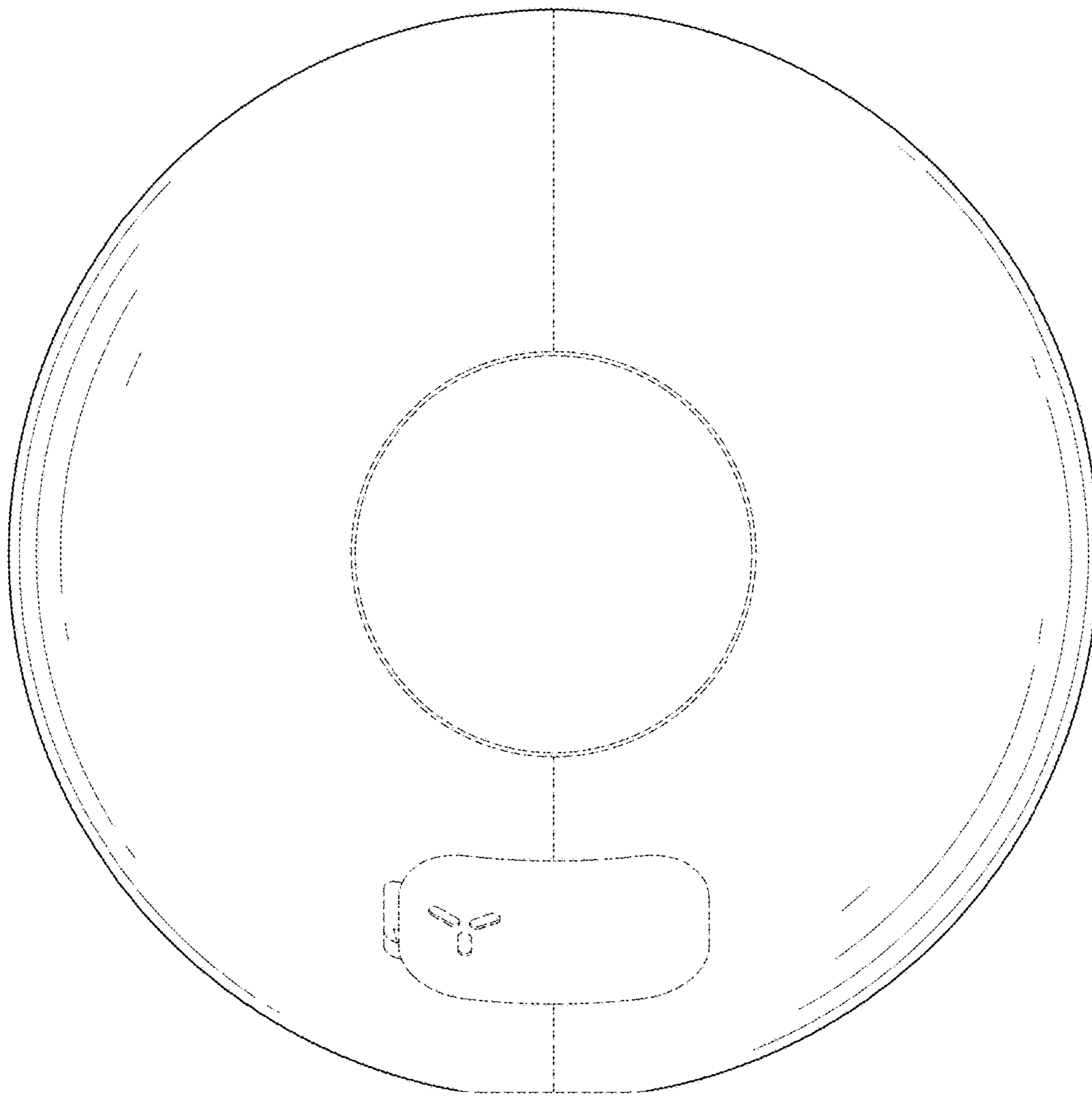


FIG. 4

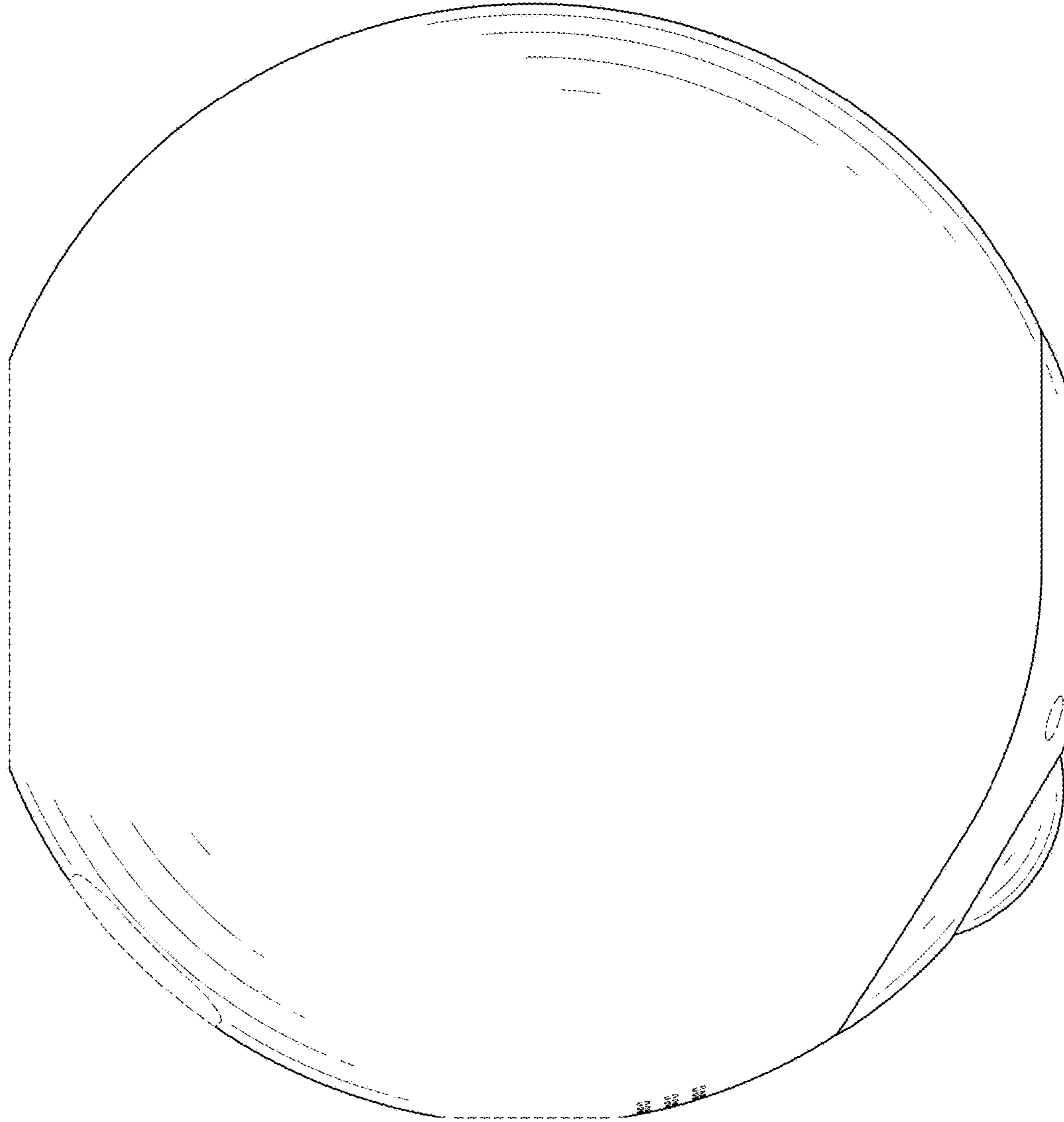


FIG. 5

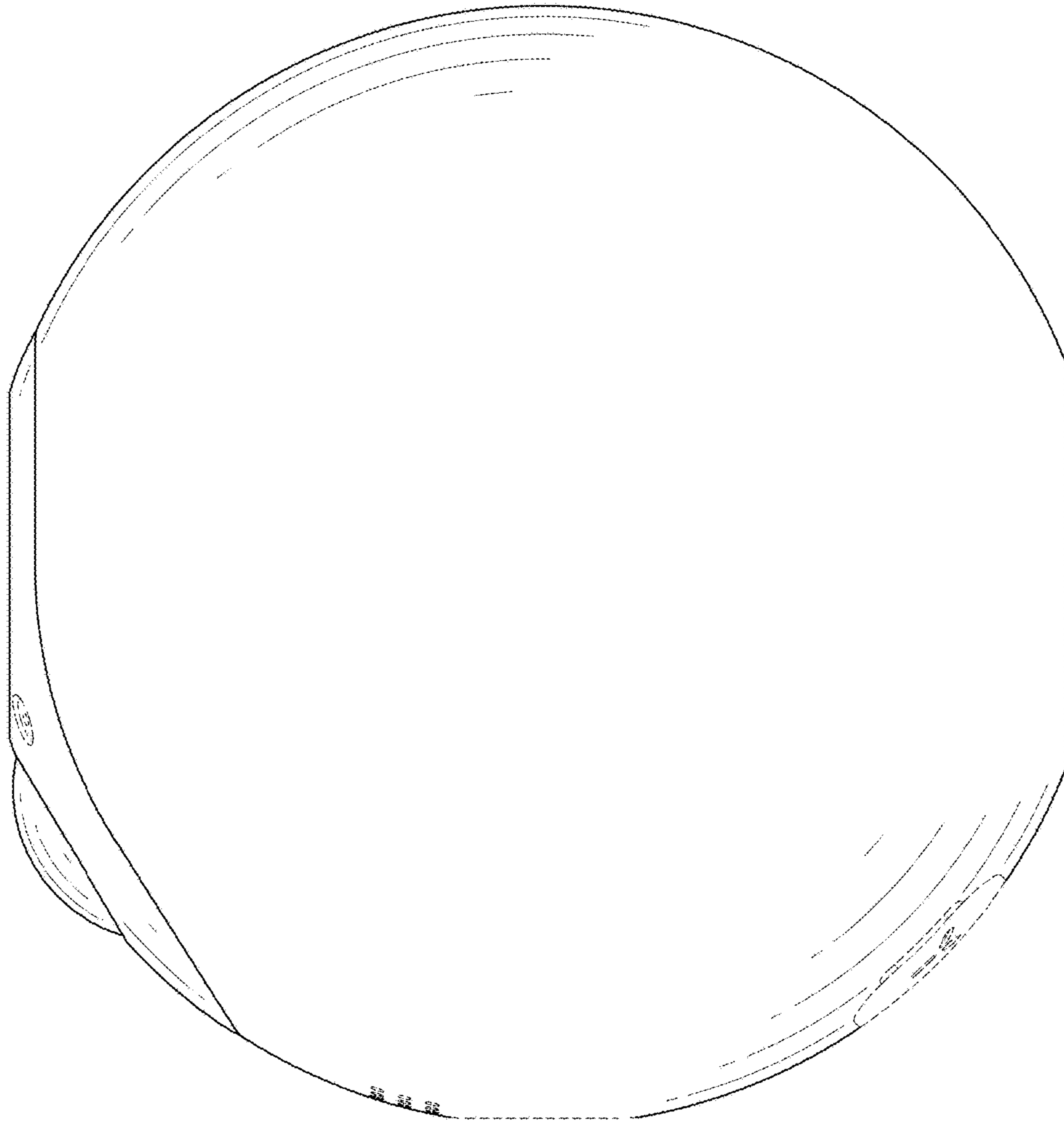


FIG. 6

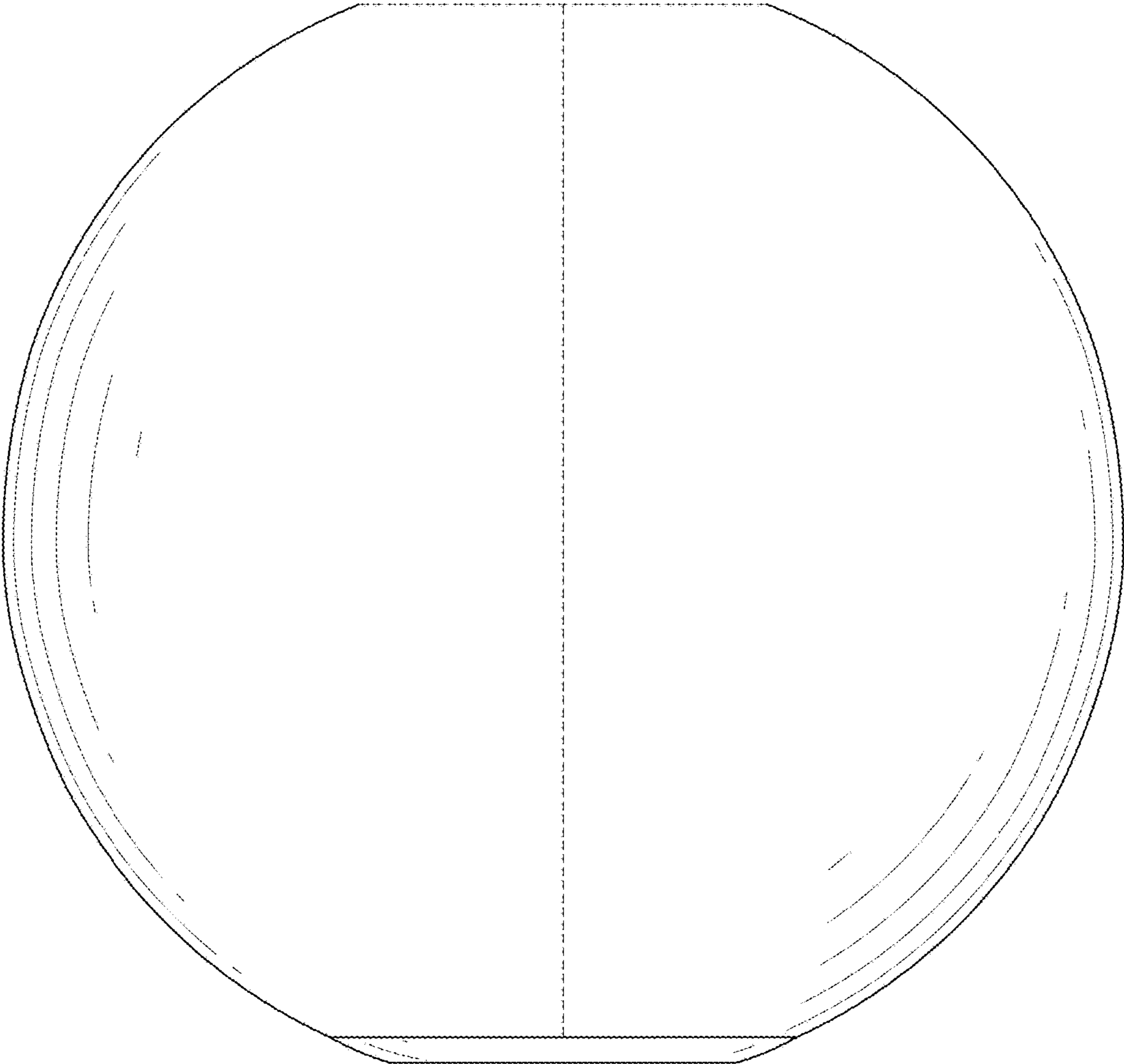


FIG. 7

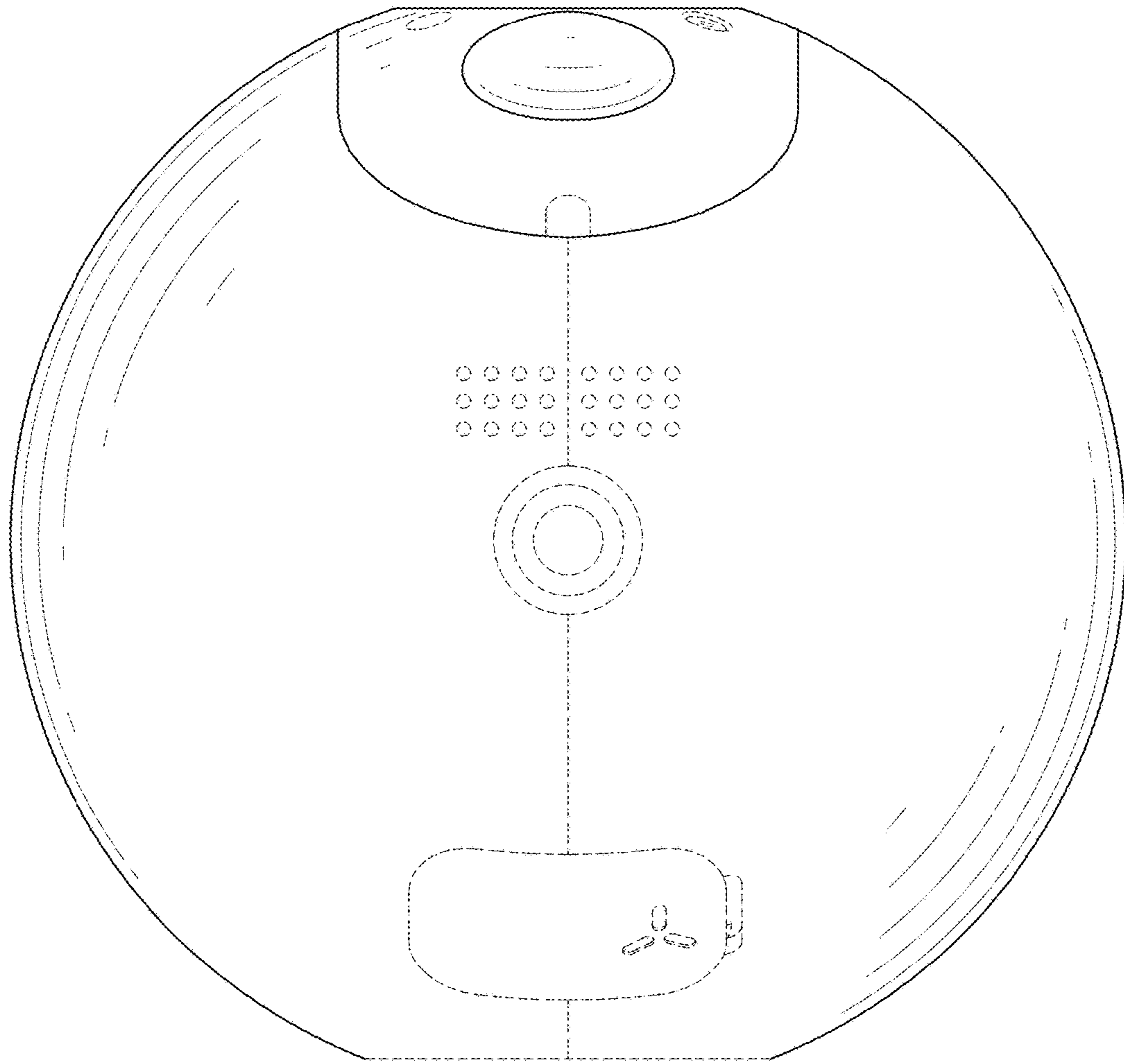


FIG. 8