



US00D858596S

(12) **United States Design Patent**
Major et al.

(10) **Patent No.:** **US D858,596 S**

(45) **Date of Patent:** **** Sep. 3, 2019**

- (54) **TOOL SHANK**
- (71) Applicant: **Tivoly SA**, Tours-en-Savoie (FR)
- (72) Inventors: **Phillip Major**, Derby, VT (US); **Rene LeBlanc**, Irasburg, VT (US)
- (73) Assignee: **Tivoly SA**, Tours-en-Savoie (FR)
- (**) Term: **15 Years**
- (21) Appl. No.: **29/623,309**
- (22) Filed: **Oct. 24, 2017**
- (51) **LOC (12) Cl.** **15-09**
- (52) **U.S. Cl.**
USPC **D15/139**
- (58) **Field of Classification Search**
USPC D8/70; D15/126, 131, 138, 139
CPC B24B 23/03; B24B 55/102; B65G 27/08;
F16C 3/18; F16H 29/22; Y10T 74/18344;
Y10T 74/18552

See application file for complete search history.

(56) **References Cited**

U.S. PATENT DOCUMENTS

- 2,806,706 A * 9/1957 Fitch B25B 23/0035
200/83 P
- 3,276,820 A * 10/1966 Ditson E01C 23/124
175/414
- 3,783,915 A * 1/1974 Bryden B25G 1/04
144/135.3
- 3,901,488 A * 8/1975 Riddle B23D 79/005
266/249
- 4,189,976 A * 2/1980 Becker F16B 23/0092
411/396
- D271,206 S * 11/1983 Devey D15/138
- 4,448,097 A * 5/1984 Rocca B25B 15/04
81/177.4
- 4,525,111 A * 6/1985 Gutsche B25B 21/007
279/43

- 4,692,073 A * 9/1987 Martindell B23B 31/1071
279/75
- 4,854,085 A * 8/1989 Huber B24B 23/03
451/357
- 4,934,717 A * 6/1990 Budelman B23B 31/005
279/79
- D329,795 S * 9/1992 Bird D8/70
- D338,146 S * 8/1993 Gramera D8/70
- D350,887 S * 9/1994 Sjolander D8/70
- D365,113 S * 12/1995 Ronan D15/140
- D378,655 S * 4/1997 Anderson D8/70
- D379,420 S * 5/1997 Standlee D8/70
- D379,578 S * 6/1997 Daniels D8/70
- 5,823,862 A * 10/1998 Heidelberger B24B 23/03
451/344
- 6,311,989 B1 * 11/2001 Rosanwo B25B 15/001
279/75
- 6,312,322 B1 * 11/2001 Chang B24B 23/03
451/344
- D487,386 S * 3/2004 Clivio D8/5

(Continued)

Primary Examiner — Patricia A Palasik

(74) *Attorney, Agent, or Firm* — Downs Rachlin Martin PLLC

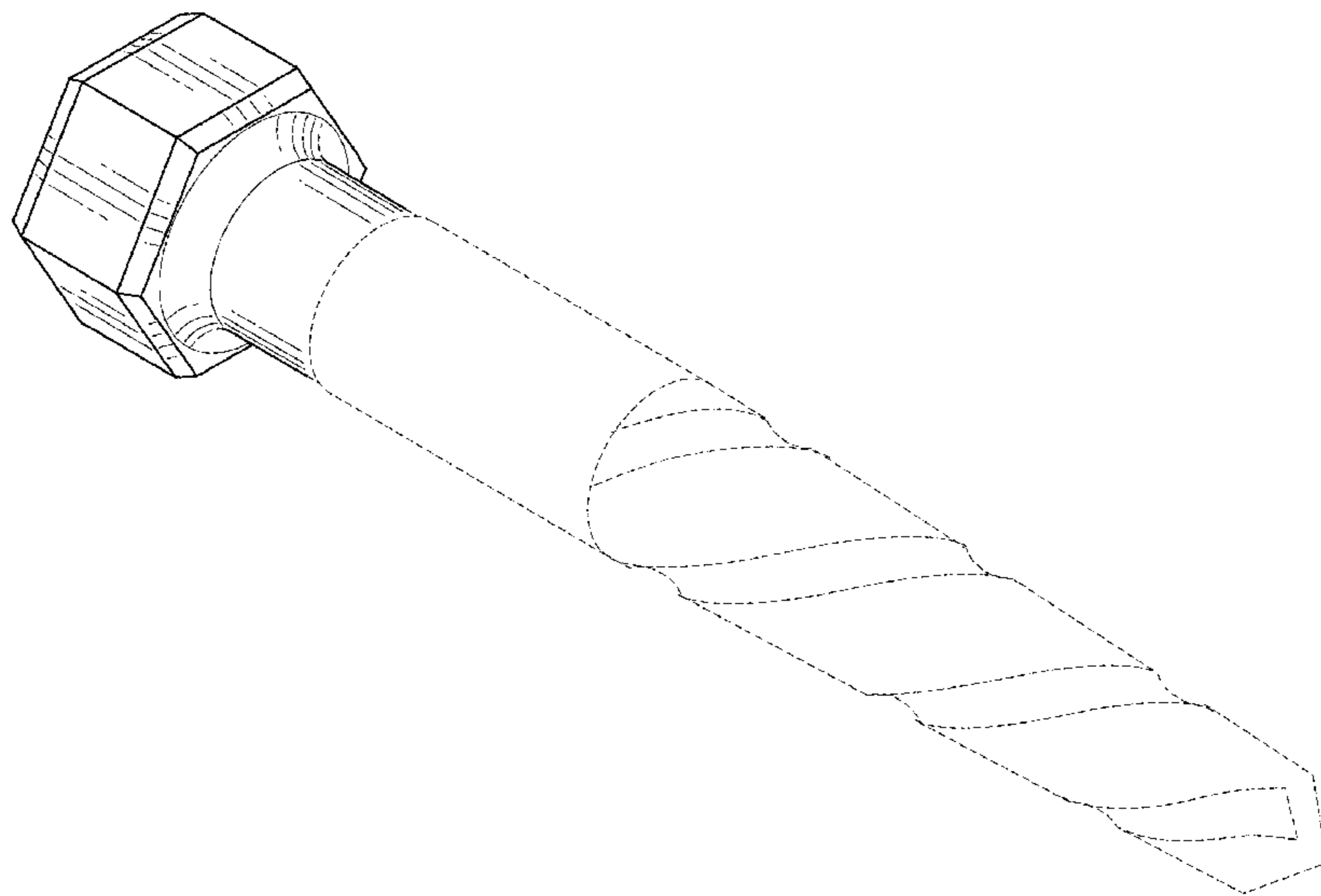
(57) **CLAIM**

The ornamental design for a tool shank, as shown and described.

DESCRIPTION

FIG. 1 is a front perspective view of a tool shank, showing our design;
 FIG. 2 is a side view thereof;
 FIG. 3 is an end view thereof;
 FIG. 4 is an opposite end view thereof; and,
 FIG. 5 is a rear perspective view thereof.
 The shade lines in the figures show contour and not surface ornamentation. Dashed lines in the drawings depict portions of the tool shank which form no part of the claimed design.

1 Claim, 4 Drawing Sheets



(56)

References Cited

U.S. PATENT DOCUMENTS

6,755,423 B2 * 6/2004 Chiu B23D 51/10
279/22
6,808,182 B2 * 10/2004 Lin B23B 31/1074
279/14
6,877,751 B2 * 4/2005 Hsing B23B 31/1173
279/14
D575,609 S * 8/2008 Peters D8/70
D600,809 S * 9/2009 Petersen D24/146
D651,224 S * 12/2011 Takahashi D15/139
D779,905 S * 2/2017 Trejo D15/140
D806,767 S * 1/2018 McMorris D15/128
D838,566 S * 1/2019 Moss D8/70
2002/0197940 A1 * 12/2002 Catalfamo B24B 23/03
451/344
2010/0180719 A1 * 7/2010 Schraer B62D 17/00
74/567
2012/0152043 A1 * 6/2012 Wen F16H 29/22
74/61
2012/0227520 A1 * 9/2012 Keith B23Q 11/0035
74/86

* cited by examiner

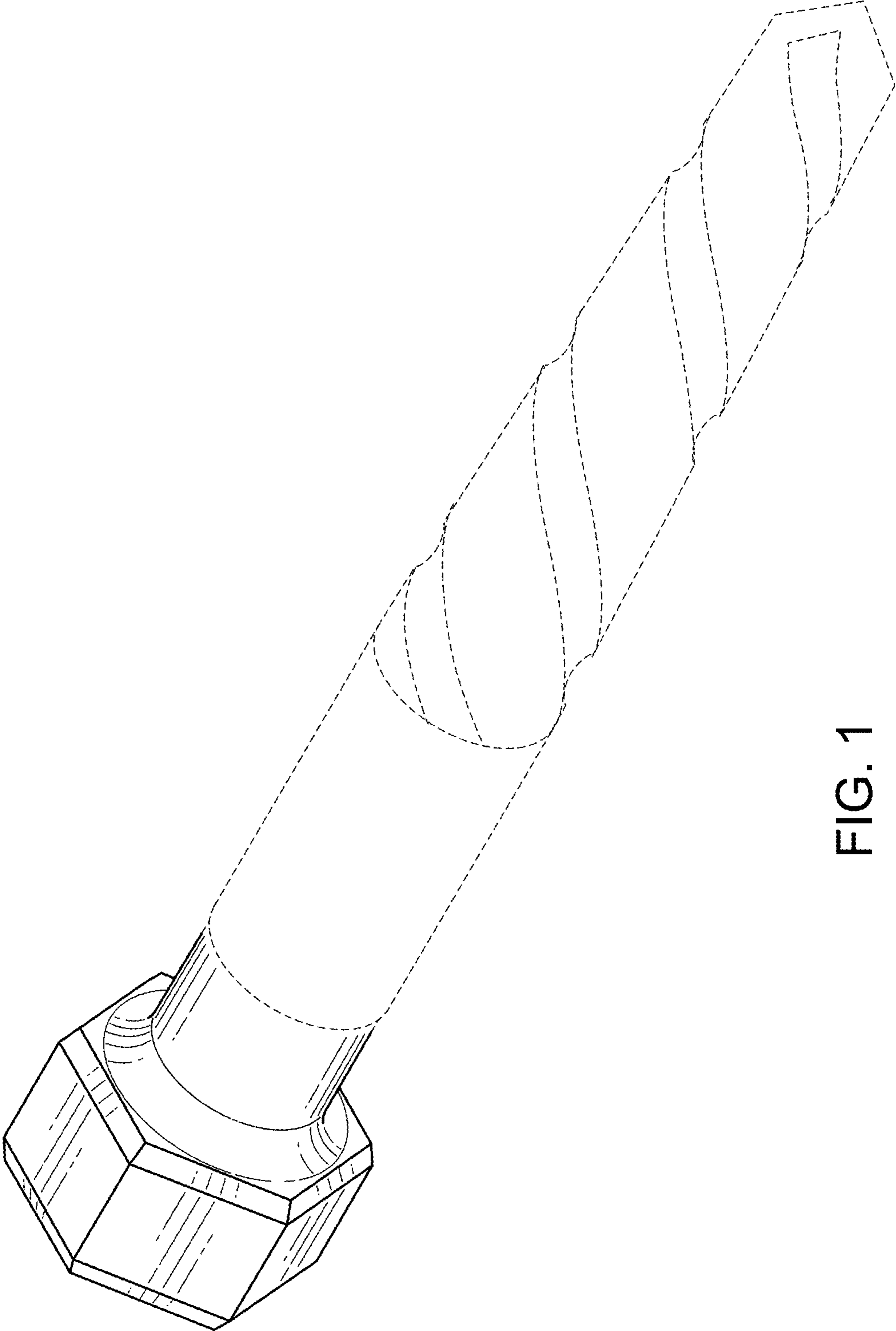


FIG. 1

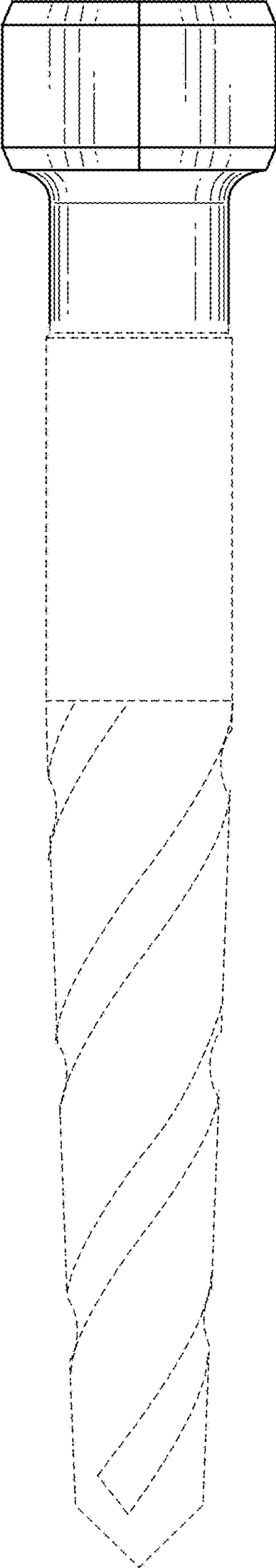


FIG. 2

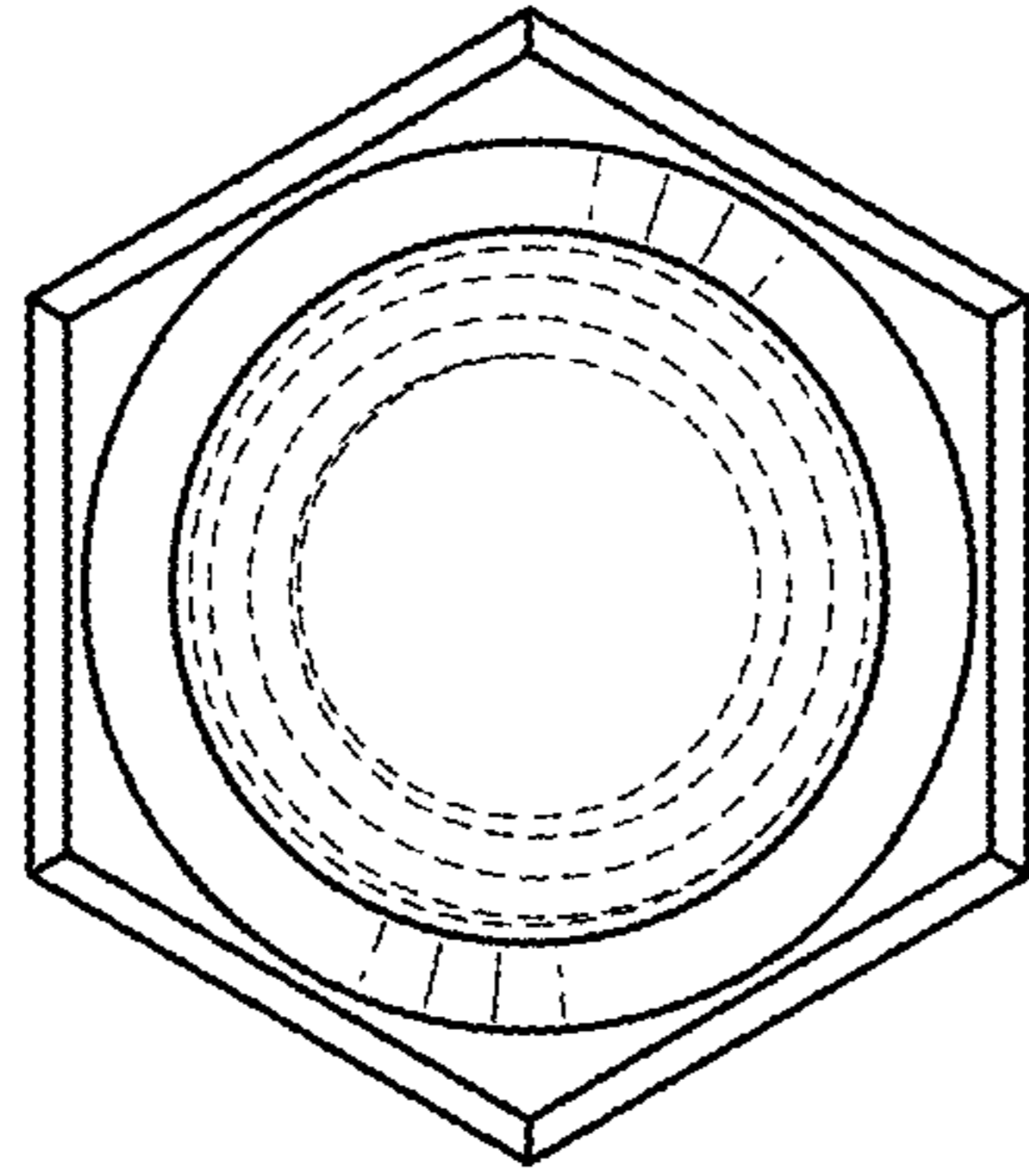


FIG. 4

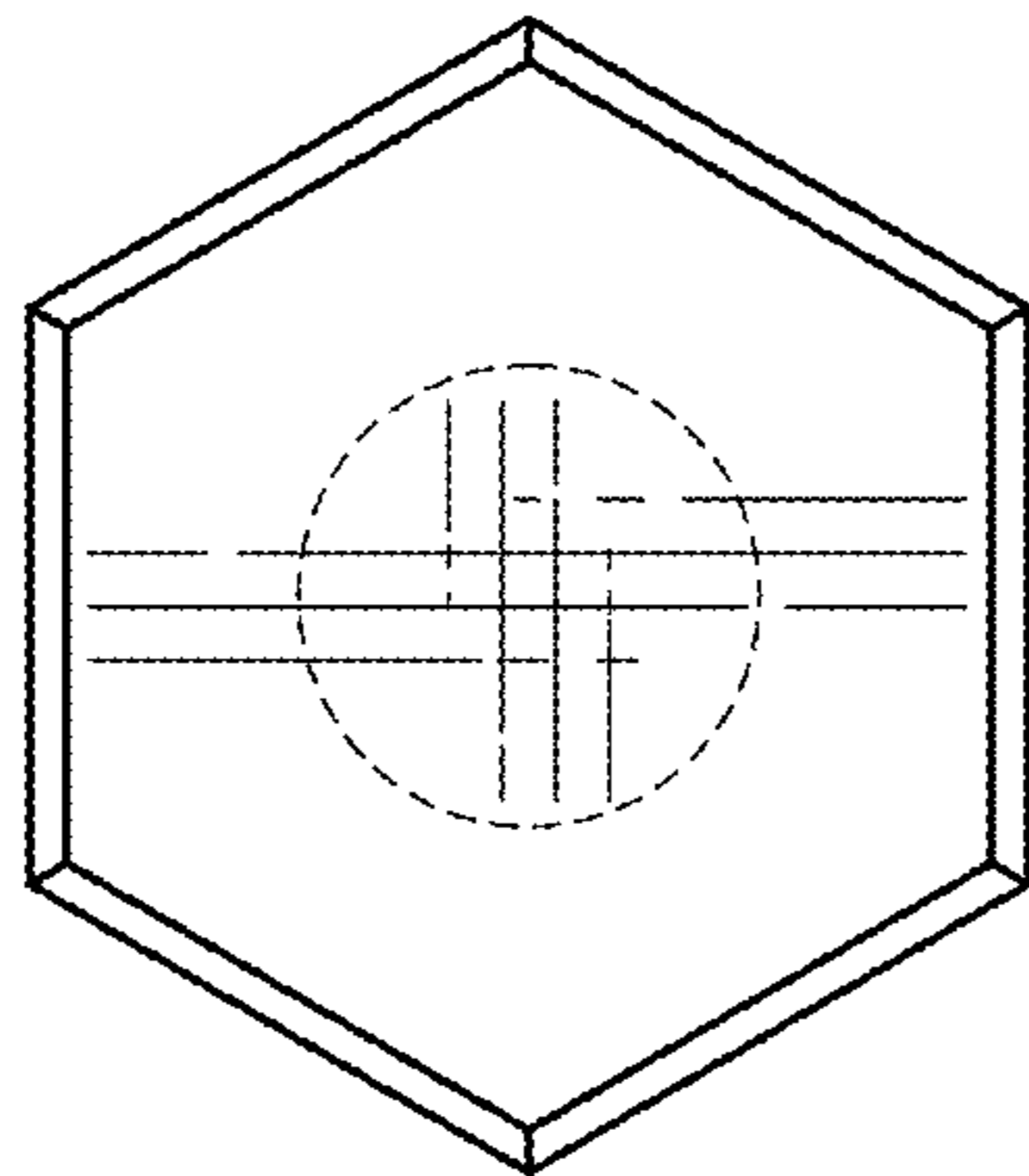


FIG. 3

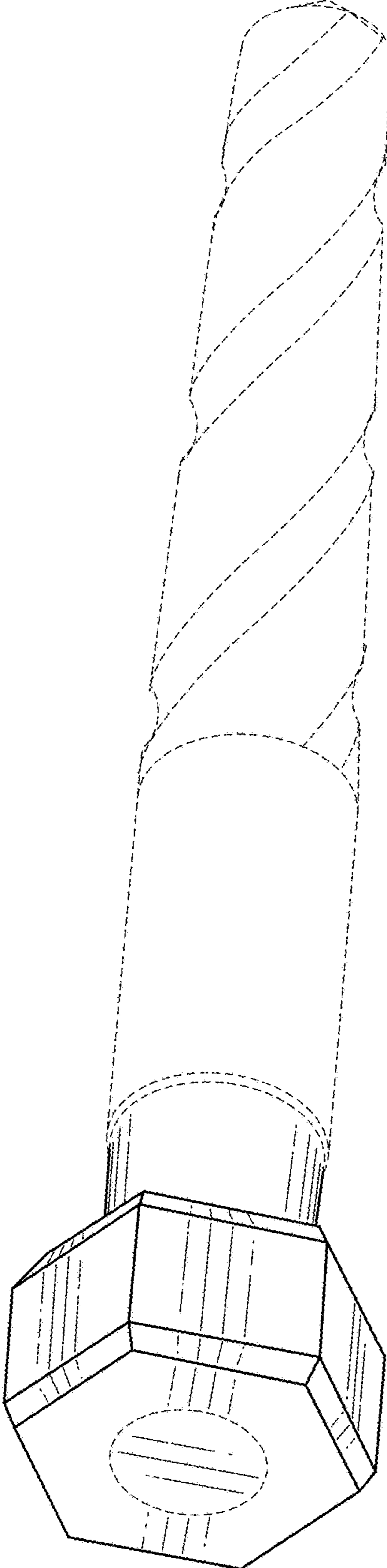


FIG. 5