



US00D858592S

(12) **United States Design Patent**
Strickland

(10) **Patent No.:** **US D858,592 S**
(45) **Date of Patent:** **** Sep. 3, 2019**

(54) **DRIVER DISC CUSHION MOUNT FOR A FLOOR GRINDER OR SANDER**

D592,229 S * 5/2009 Park D15/126
D595,749 S * 7/2009 Kusuyama D15/126
D626,976 S * 11/2010 Park D15/126
D626,977 S * 11/2010 Popov D15/126

(71) Applicant: **Onfloor Technologies, L.L.C.**,
Newburgh, NY (US)

(Continued)

(72) Inventor: **Timothy A. Strickland**, Raeford, NC
(US)

FOREIGN PATENT DOCUMENTS

(73) Assignee: **Onfloor Technologies, L.L.C.**,
Newburgh, NY (US)

CN 2035778 4/1989
CN 2249144 3/1997

(Continued)

(**) Term: **15 Years**

OTHER PUBLICATIONS

(21) Appl. No.: **29/634,217**

<http://www.superabrasive.us/>.
<http://www.lavinagrinder.com/lavina-foam-plate-resin-holders/>.
<https://www.cimex.us/product/big-wheel-kit/>.

(22) Filed: **Jan. 19, 2018**

(51) **LOC (12) Cl.** **15-09**

(52) **U.S. Cl.**
USPC **D15/126**

Primary Examiner — Garth Rademaker
Assistant Examiner — Fritzgerald L Butac
(74) *Attorney, Agent, or Firm* — Reising Ethington, P.C.

(58) **Field of Classification Search**
USPC D7/368, 387, 665, 672, 676, 677; D8/62,
D8/70, 71, 90, 98; D15/124, 125, 126,
D15/138, 139; D21/485, 488, 499, 500,
D21/503, 504; D23/259–261;
D25/113–118

(57) **CLAIM**

CPC B24B 7/0076; B24B 7/12; B24B 7/186;
B24B 41/047
See application file for complete search history.

The ornamental design for a view of a driver disc cushion mount for a floor grinder or sander.

DESCRIPTION

(56) **References Cited**

U.S. PATENT DOCUMENTS

5,458,532 A 10/1995 Cannone
6,402,602 B1 * 6/2002 Garcia B24B 37/04
451/287
D486,839 S * 2/2004 Sunagawa D15/126
D509,121 S * 9/2005 Hede D8/70
D519,530 S * 4/2006 Thysell D15/126
7,261,623 B1 * 8/2007 Palushi B24B 7/186
451/350
D576,185 S * 9/2008 Park D15/126
D585,466 S * 1/2009 Park D15/126

FIG. 1 is a bottom perspective view of a driver disc cushion mount for a floor grinder or sander, in an environment of use, showing my new design.

FIG. 2 is a top perspective view thereof;

FIG. 3 is a bottom perspective view cushion mount shown in FIG. 1;

FIG. 4 is a top perspective view thereof;

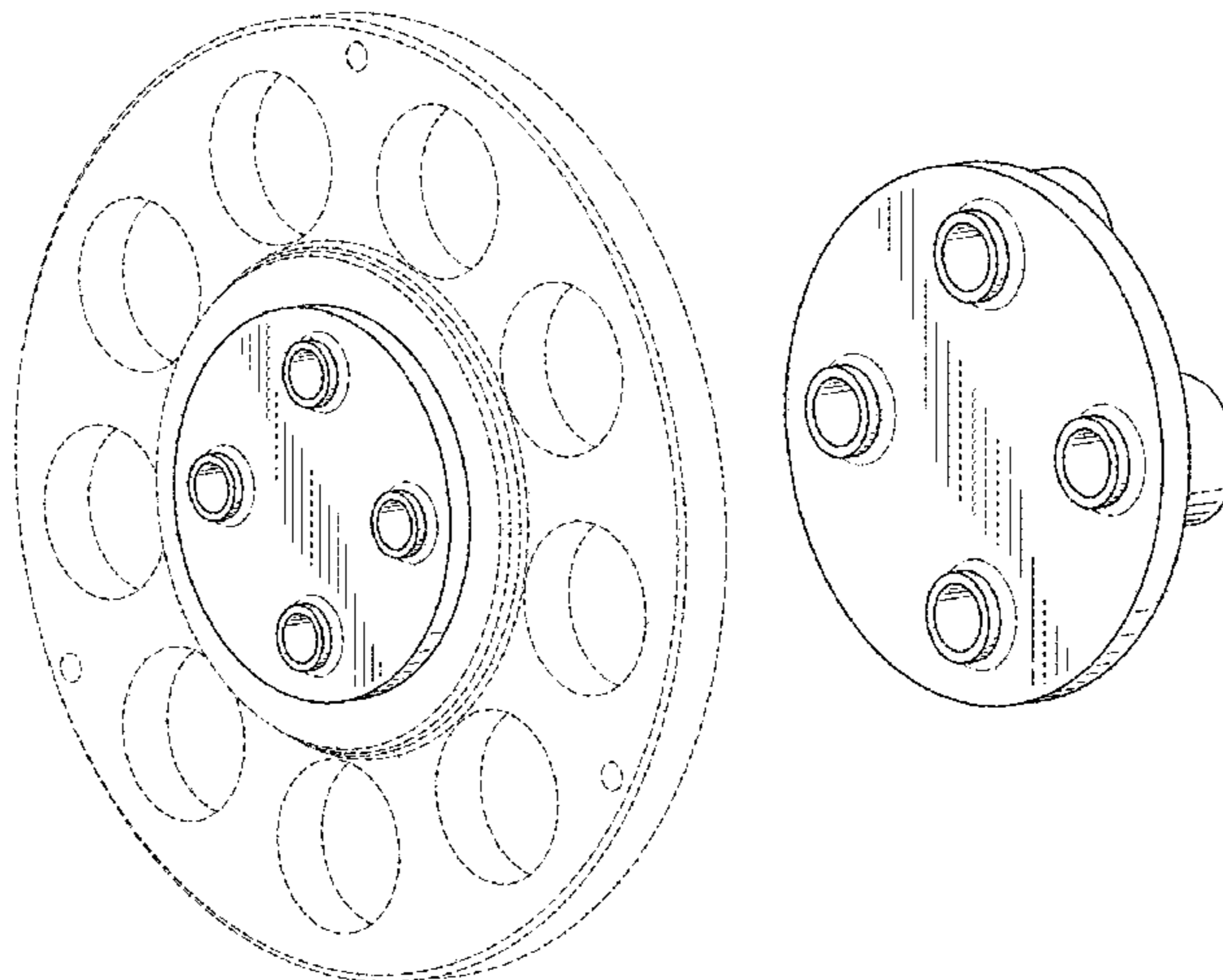
FIG. 5 is a bottom plan view thereof;

FIG. 6 is a top plan view thereof; and,

FIG. 7 is a right side elevational view thereof.

The broken lines of a driver disc in FIGS. 1 and 2 are for the purpose of showing environmental structure, and form no part of the claimed design.

1 Claim, 3 Drawing Sheets



(56)

References Cited

U.S. PATENT DOCUMENTS

D626,978 S * 11/2010 Huh D15/126
 D633,928 S * 3/2011 Nilsson D15/138
 D646,542 S * 10/2011 Wackwitz D8/70
 D653,523 S * 2/2012 Wackwitz D15/138
 D665,242 S * 8/2012 Wackwitz D15/140
 D689,558 S * 9/2013 Jensen D21/487
 D697,777 S * 1/2014 Bozic D8/70
 D737,873 S * 9/2015 Shinozaki D15/126
 D738,177 S * 9/2015 Finnas D8/70
 D740,637 S * 10/2015 Finnas D8/70
 D743,456 S * 11/2015 Shinozaki D15/126
 D748,695 S * 2/2016 Norton D15/126
 D796,458 S * 9/2017 Jang D13/182
 D802,546 S * 11/2017 Jang D13/182
 D805,878 S * 12/2017 Rassat D8/354
 2004/0077300 A1 4/2004 Thysell et al.
 2005/0260940 A1* 11/2005 Palushaj A46B 13/008
 451/490
 2007/0077873 A1* 4/2007 Vankouwenberg B24B 7/186
 451/353

2011/0300784 A1* 12/2011 Tchakarov B24B 7/186
 451/259
 2013/0189908 A1* 7/2013 Strickland A47L 11/16
 451/259
 2013/0324021 A1* 12/2013 Ryan B24D 11/00
 451/529

FOREIGN PATENT DOCUMENTS

CN 201295202 8/2009
 CN 201394761 2/2010
 DE 4215802 11/1993
 DE 102008062746 6/2010
 EP 1669162 A1 * 6/2006 B24B 7/186
 GB 2033214 5/1980
 GM 2413264 10/2005
 JP 2000093371 4/2000
 JP 2000190201 A * 7/2000 B24B 37/04
 NL 1014015 7/2001
 WO WO-2012030293 A1 * 3/2012 B24B 7/186

* cited by examiner

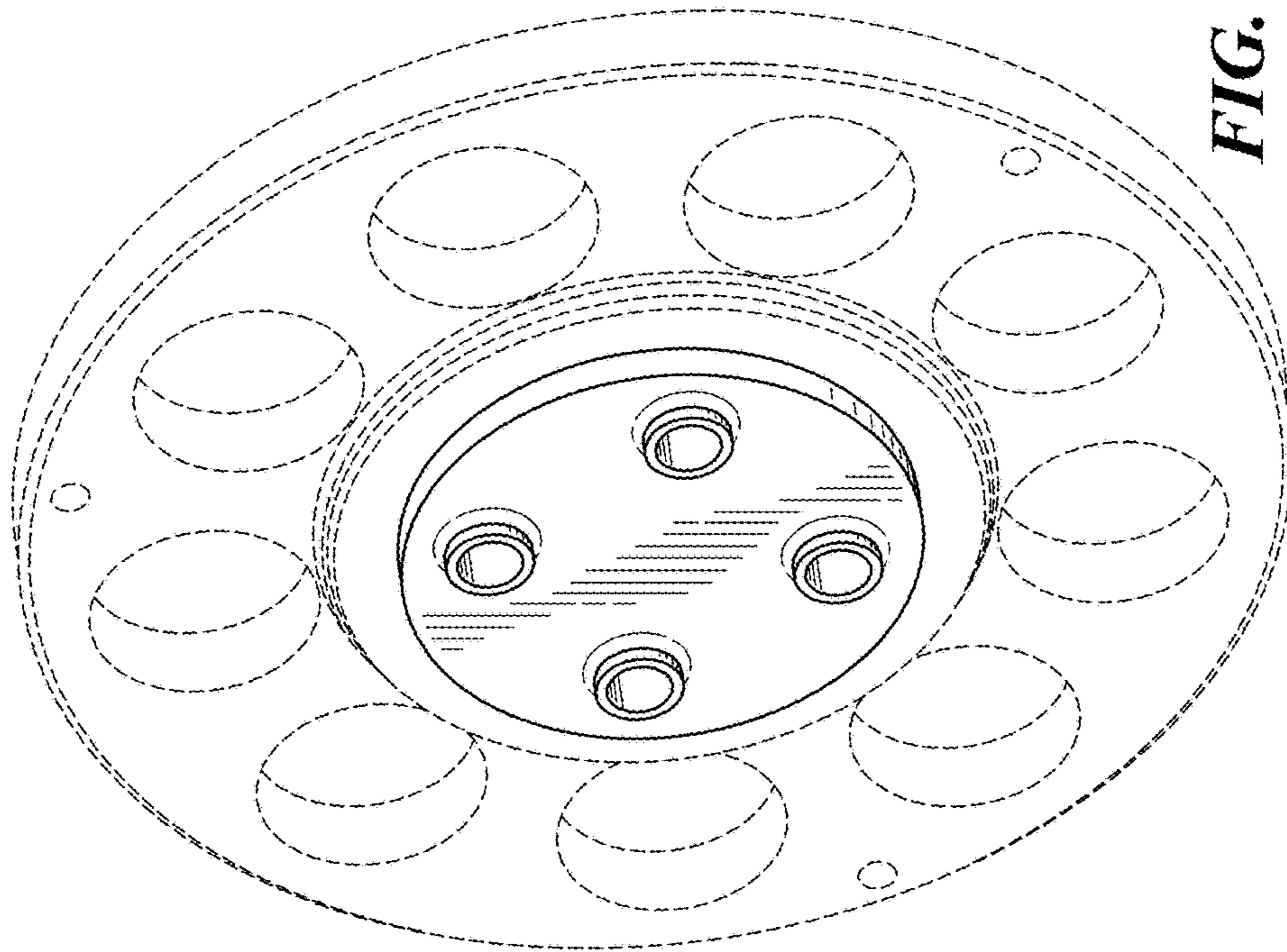


FIG. 2

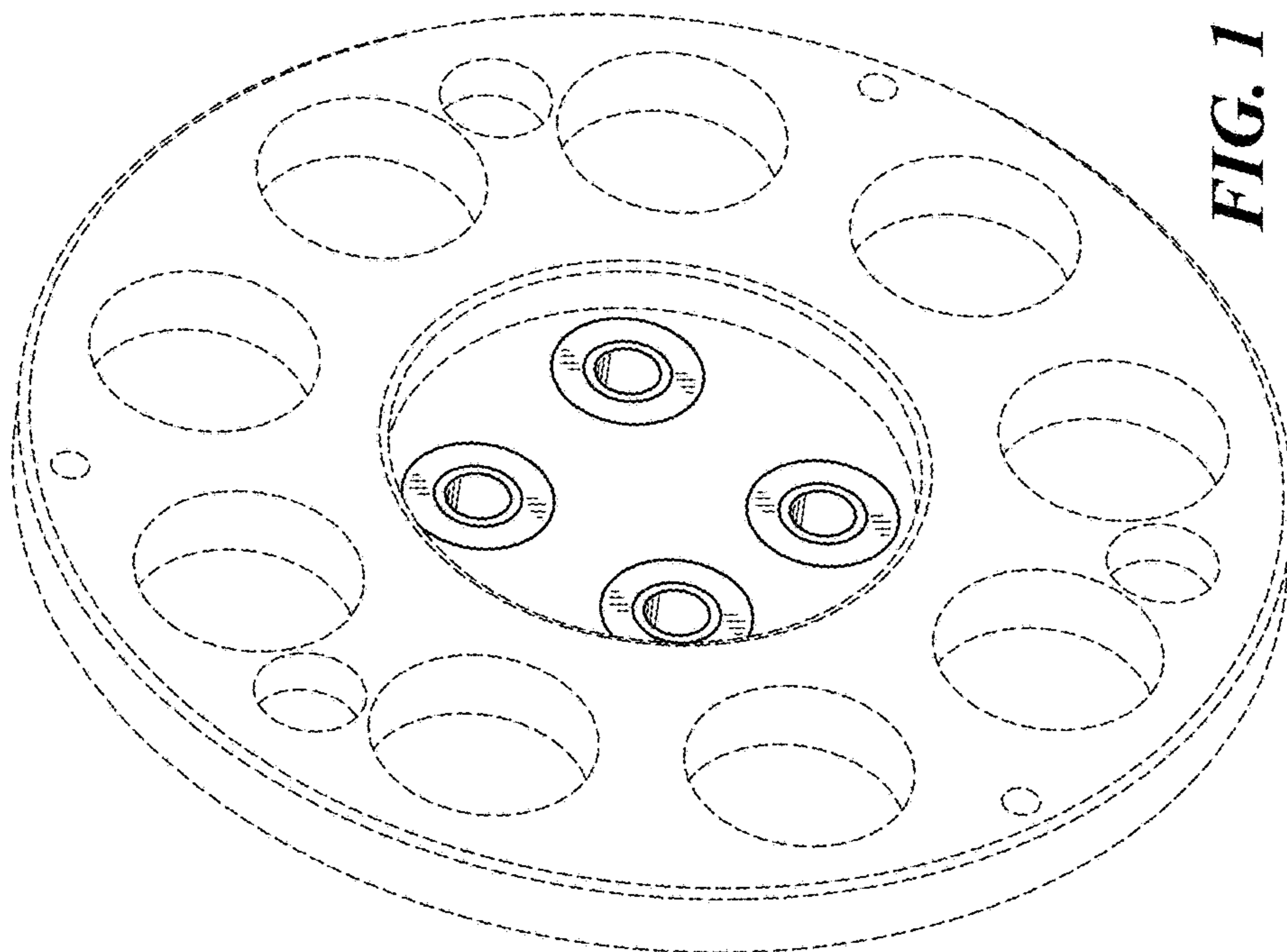


FIG. 1

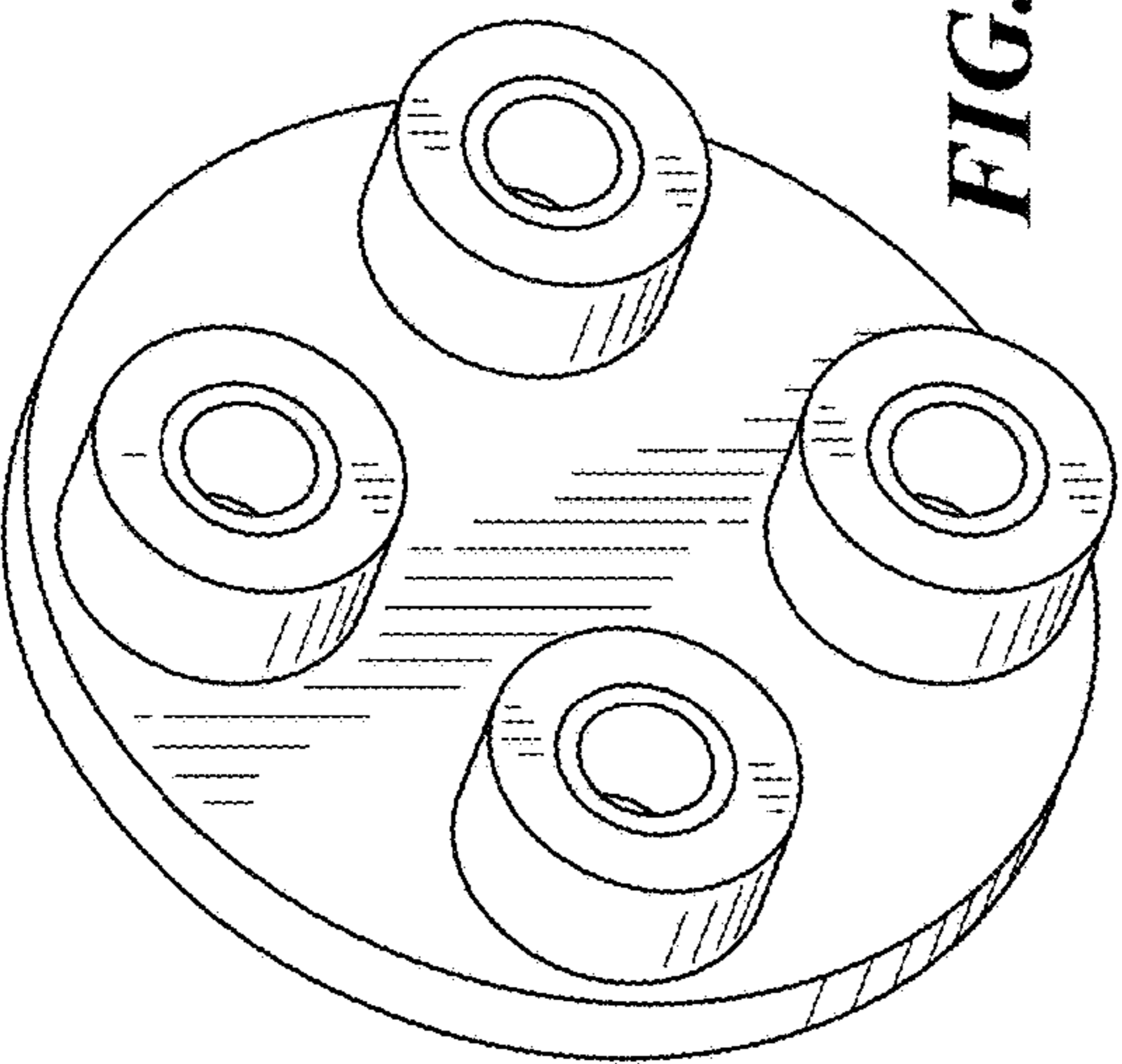


FIG. 3

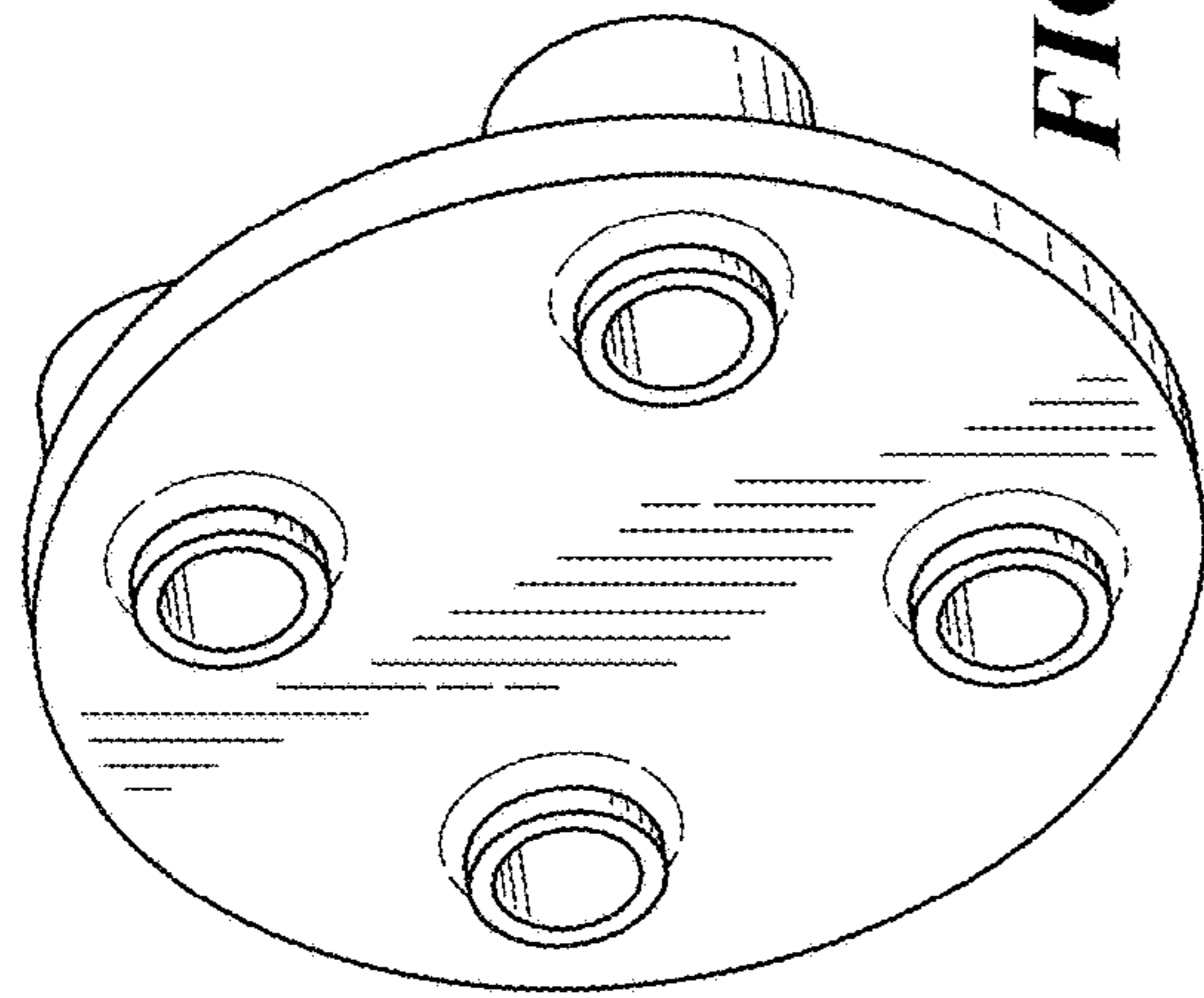


FIG. 4

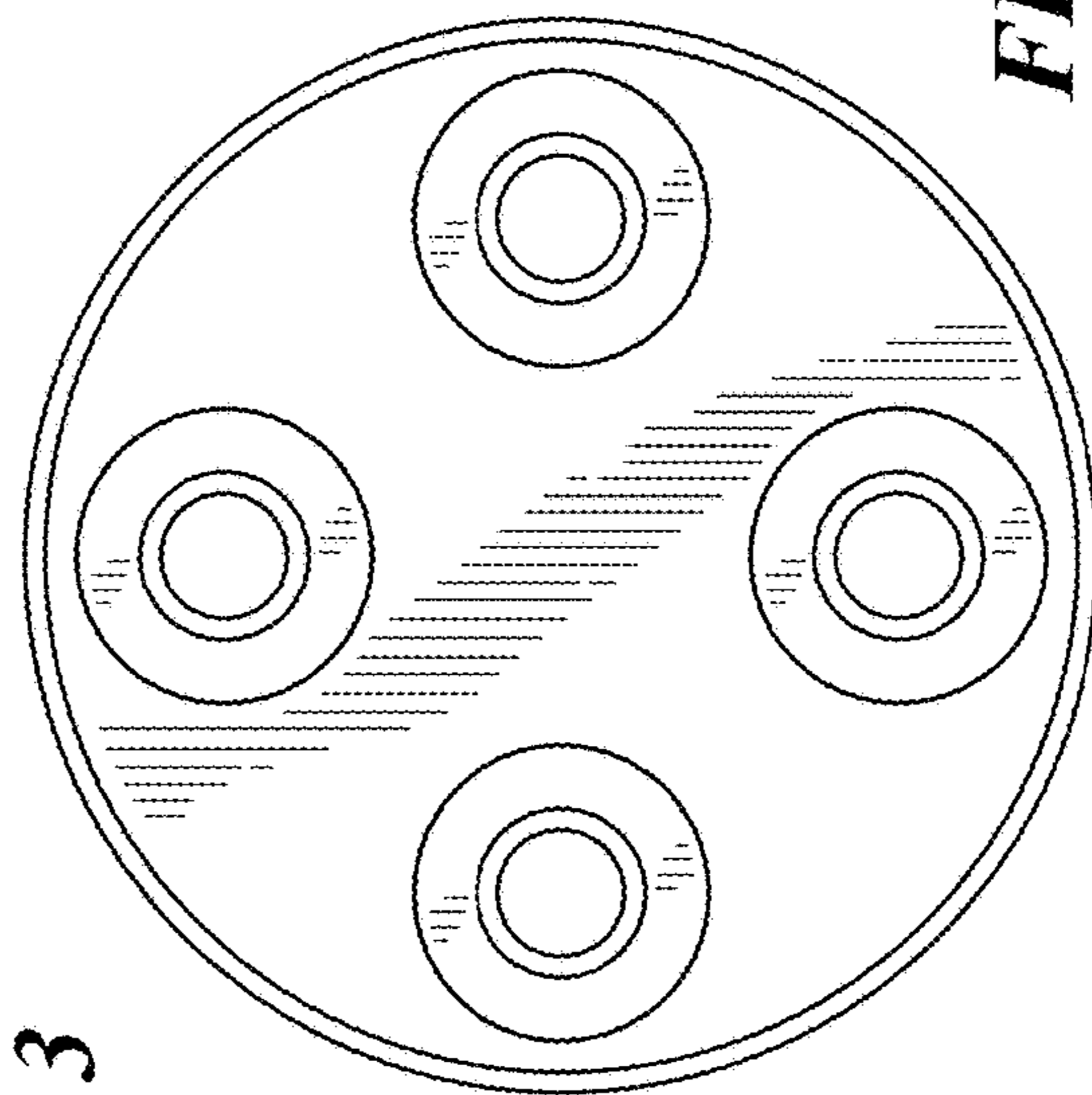


FIG. 5

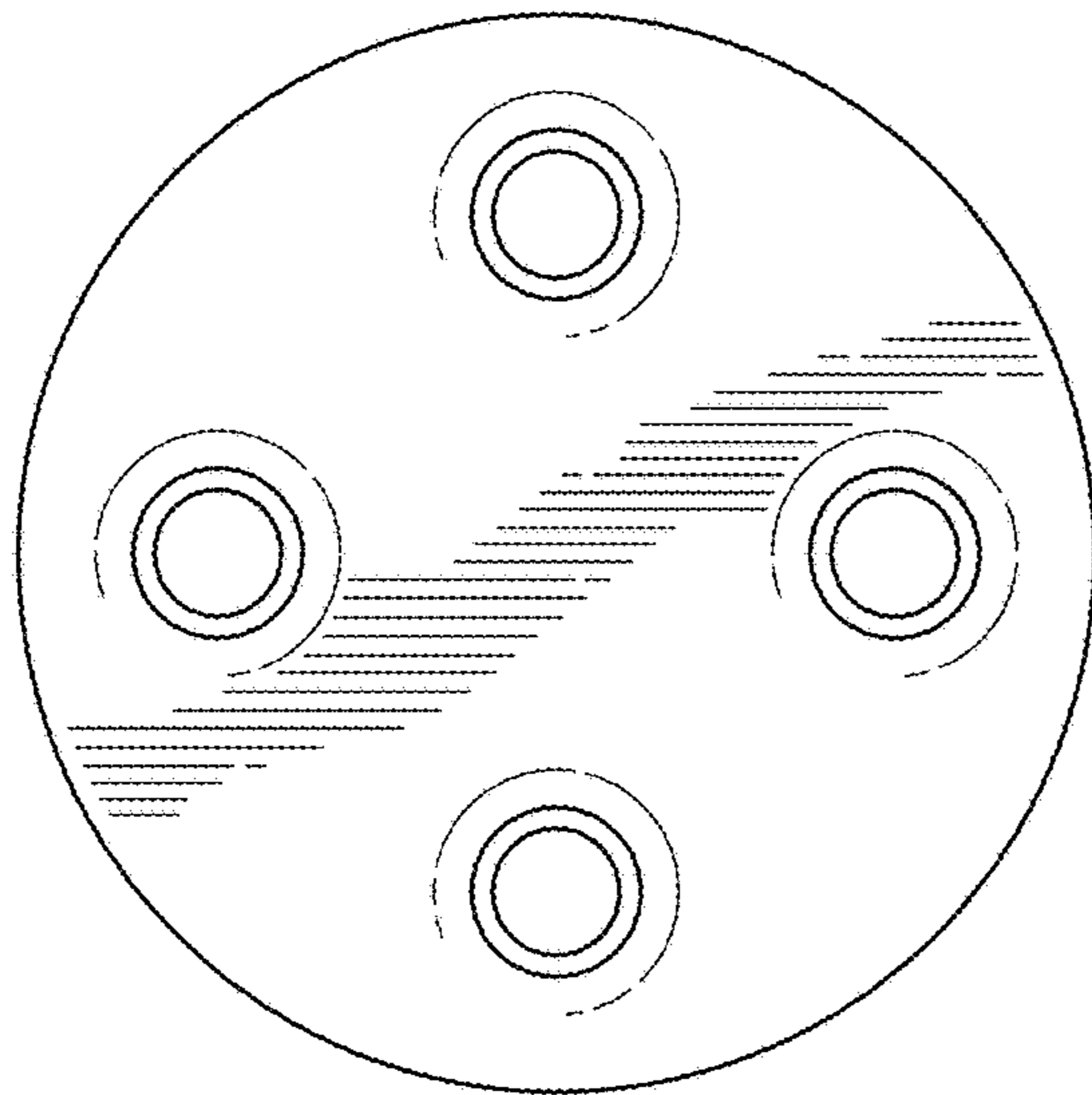


FIG. 6

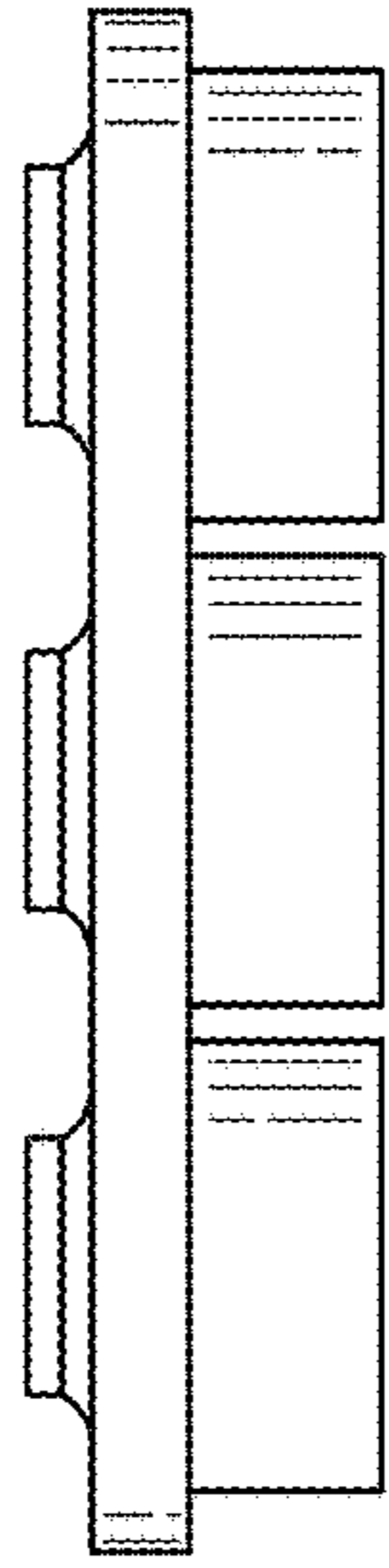


FIG. 7