



US00D858590S

(12) **United States Design Patent** (10) **Patent No.:** **US D858,590 S**
Kazaoka (45) **Date of Patent:** **** Sep. 3, 2019**

(54) **MACHINE TOOL**
 (71) Applicant: **Mitsubishi Heavy Industries Machine Tool Co., Ltd.**, Ritto-shi, Shiga (JP)
 (72) Inventor: **Naoki Kazaoka**, Tokyo (JP)
 (73) Assignee: **MITSUBISHI HEAVY INDUSTRIES MACHINE TOOL CO., LTD.**, Ritto-Shi, Shiga (JP)

(**) Term: **15 Years**
 (21) Appl. No.: **29/611,172**
 (22) Filed: **Jul. 19, 2017**

(30) **Foreign Application Priority Data**
 Feb. 28, 2017 (JP) 2017-003908

(51) **LOC (12) Cl.** **15-09**
 (52) **U.S. Cl.**
 USPC **D15/122**; D15/127

(58) **Field of Classification Search**
 USPC D9/414, 423, 432; D10/46, 47, 61, 81, D10/100, 104.1; D14/299-302, 313, 314, D14/902; D15/122, 124-127, 131, 199; D24/107, 121, 162, 163, 186, 216, D24/223-226, 231, 232, 234
 CPC B23F 5/20; B23F 23/1243; B23Q 1/01; B23Q 1/03; B23Q 1/26; B23Q 3/10; B23Q 11/08; B23Q 11/0891; B23Q 11/0042; B23Q 15/007; B23Q 17/00; B23Q 17/007; B23Q 39/024
 See application file for complete search history.

(56) **References Cited**
 U.S. PATENT DOCUMENTS

D288,542 S * 3/1987 Tsuyama D10/98
 D445,807 S * 7/2001 Baulk D15/127

D472,250 S * 3/2003 Mariotta D15/127
 D511,067 S * 11/2005 Johansson D7/377
 D554,069 S * 10/2007 Bolotin D13/162
 D554,070 S * 10/2007 Bolotin D13/162
 D599,688 S * 9/2009 Ito D10/81
 D620,508 S * 7/2010 Jacquet D15/122
 D627,375 S * 11/2010 Jacquet D15/122
 D633,096 S * 2/2011 Corcoran D14/480.1
 D637,098 S * 5/2011 Oonuma D10/75
 D638,449 S * 5/2011 Schindler D15/122
 D651,620 S * 1/2012 Schindler D15/122
 D654,099 S * 2/2012 Schindler D15/122
 D655,824 S * 3/2012 Tsutsumida D24/216
 D666,637 S * 9/2012 Mueller D15/122
 D671,969 S * 12/2012 Yang D15/122
 D680,563 S * 4/2013 Yang D15/122
 D681,229 S * 4/2013 Henssler D24/219
 D682,441 S * 5/2013 Kim D24/216
 D695,289 S * 12/2013 Yamazaki D14/364
 D696,315 S * 12/2013 Schmid D15/122
 D718,795 S * 12/2014 Schonherr D15/122
 D719,666 S * 12/2014 Manian D24/216
 D719,671 S * 12/2014 Nishikawa D24/216

(Continued)

Primary Examiner — Garth Rademaker
Assistant Examiner — Fritzgerald L Butac
 (74) *Attorney, Agent, or Firm* — Birch, Stewart, Kolasch & Birch, LLP

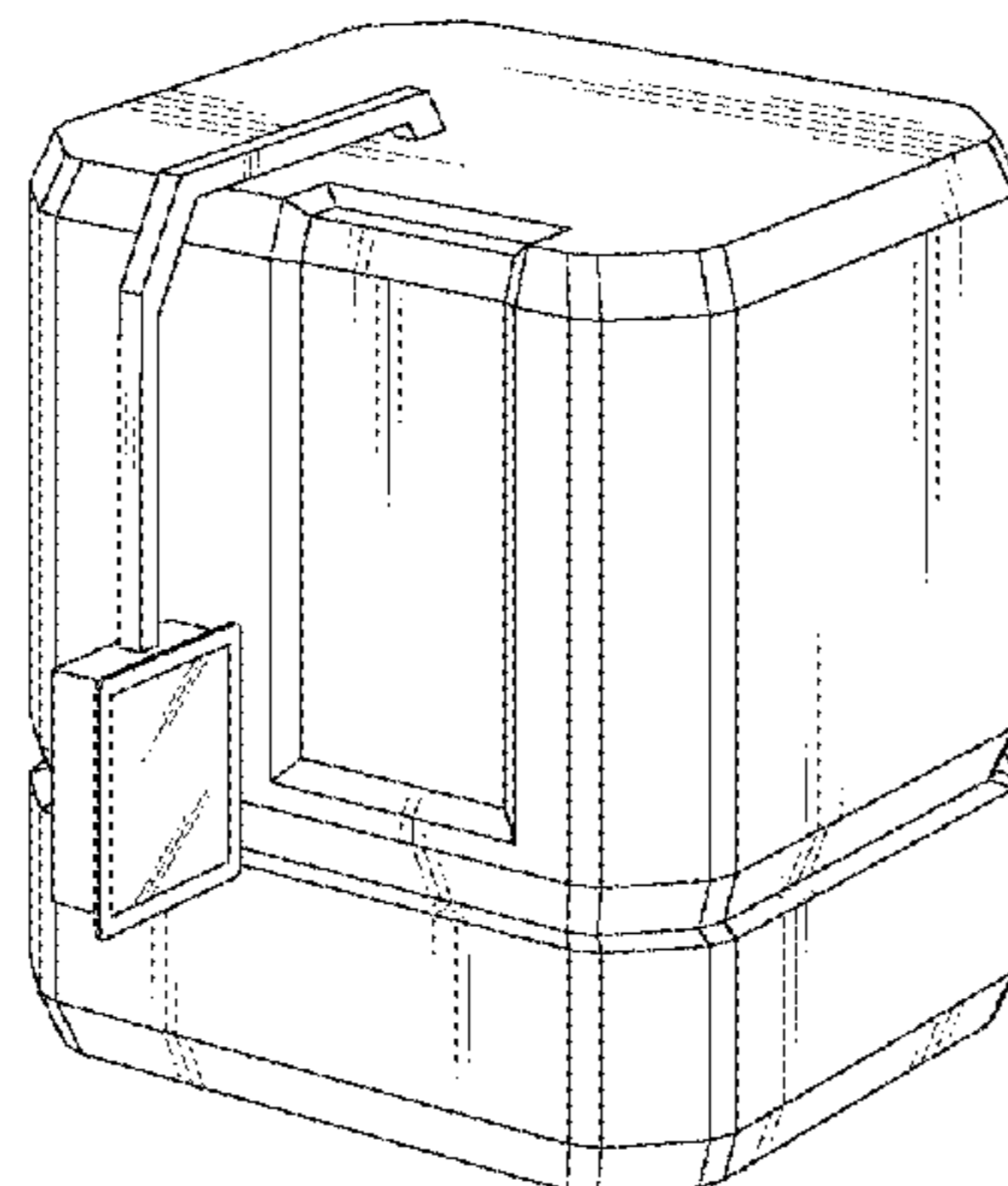
(57) **CLAIM**

The ornamental design for a machine tool, as shown and described.

DESCRIPTION

FIG. 1 is a perspective view of a machine tool.
 FIG. 2 is a front elevation view thereof.
 FIG. 3 is a rear elevation view thereof.
 FIG. 4 is a right side elevation view thereof.
 FIG. 5 is a left side elevation view thereof.
 FIG. 6 is a top plan view thereof; and,
 FIG. 7 is a bottom plan view thereof.

1 Claim, 7 Drawing Sheets



(56)

References Cited

U.S. PATENT DOCUMENTS

D726,789 S * 4/2015 Schmid D15/122
D734,787 S * 7/2015 Schonherr D15/122
D745,070 S * 12/2015 Schindler D15/122
D747,227 S * 1/2016 Fujiwara D10/81
D748,271 S * 1/2016 Clowry D24/186
D748,273 S * 1/2016 Chang D24/186
D754,763 S * 4/2016 Kraibuhler D15/122
D759,517 S * 6/2016 Kawai D10/75
D774,205 S * 12/2016 Grace D24/169
D781,357 S * 3/2017 Inaba D15/122
D793,860 S * 8/2017 Keller D9/431
D794,211 S * 8/2017 Ang D24/232
D796,358 S * 9/2017 Abbott D10/81
D817,959 S * 5/2018 Varotto D14/384
10,031,508 B2 * 7/2018 Tanizawa B23Q 15/24
D825,776 S * 8/2018 Quick D24/232
D832,253 S * 10/2018 Delibie D14/358
D835,162 S * 12/2018 Reches D15/122
D837,211 S * 1/2019 Peng D14/365
D837,271 S * 1/2019 Tinus D15/131
D838,198 S * 1/2019 Kimura D10/81
D838,609 S * 1/2019 Kim D10/46
D841,069 S * 2/2019 Ihara D16/131
D843,597 S * 3/2019 Kurz-Ottenwaelder D24/232
D844,606 S * 4/2019 Howell D14/384
D845,160 S * 4/2019 Stray D10/83
10,245,694 B2 * 4/2019 Komatsu B23Q 11/122
2018/0326494 A1 * 11/2018 Uemura B22F 3/1055
2018/0369838 A1 * 12/2018 Saratani B08B 3/02

* cited by examiner

FIG. 1

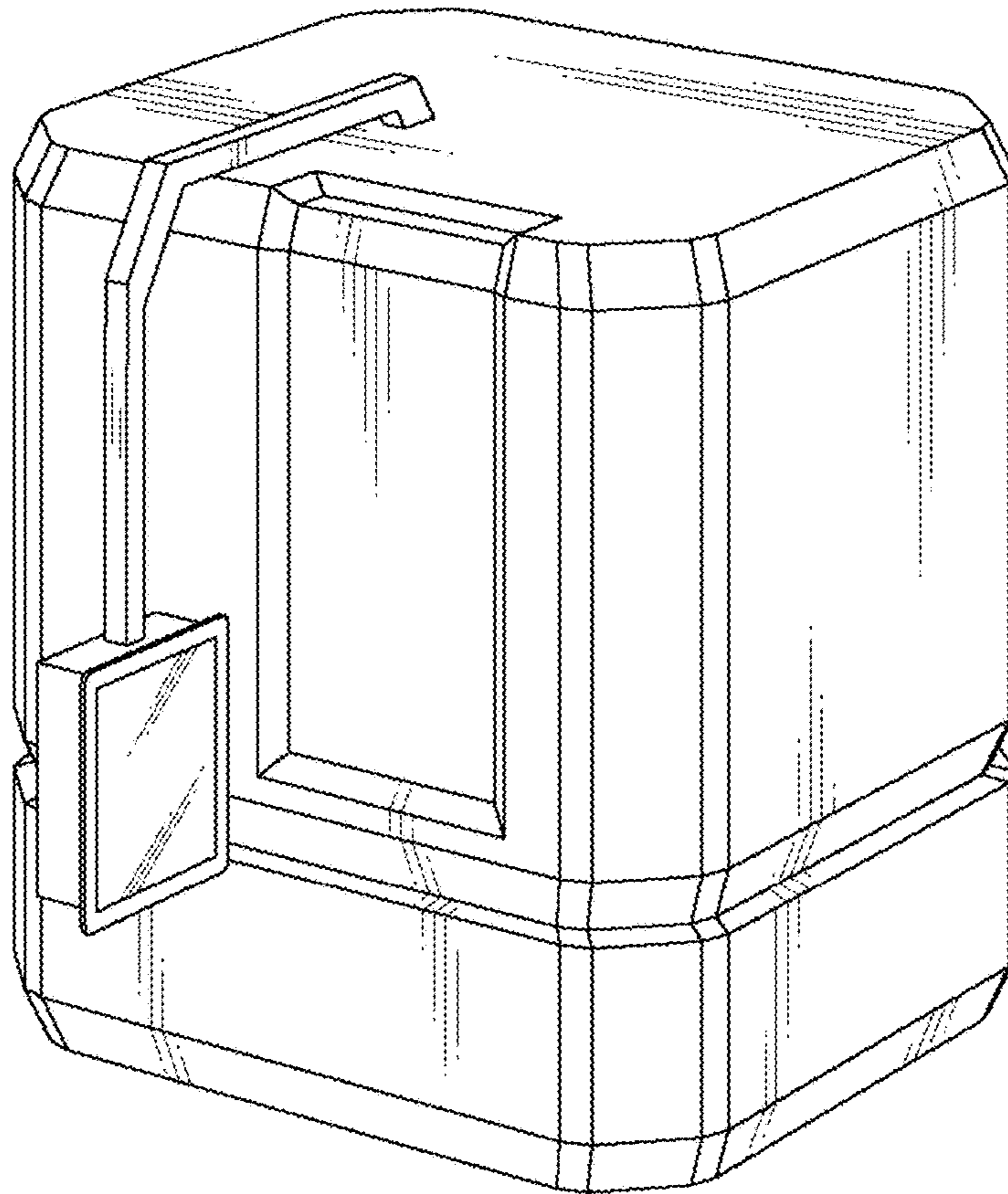


FIG. 2

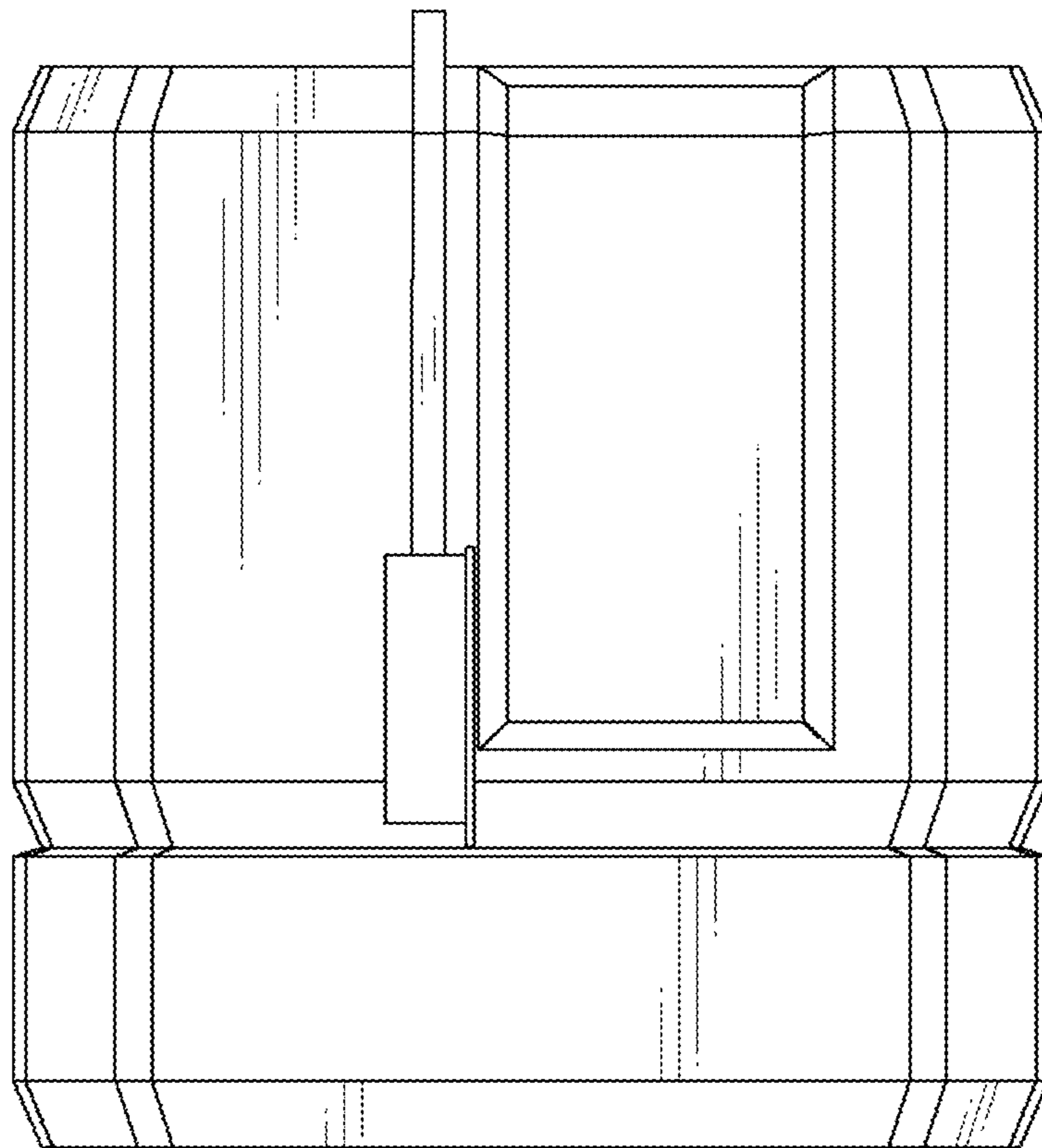


FIG. 3

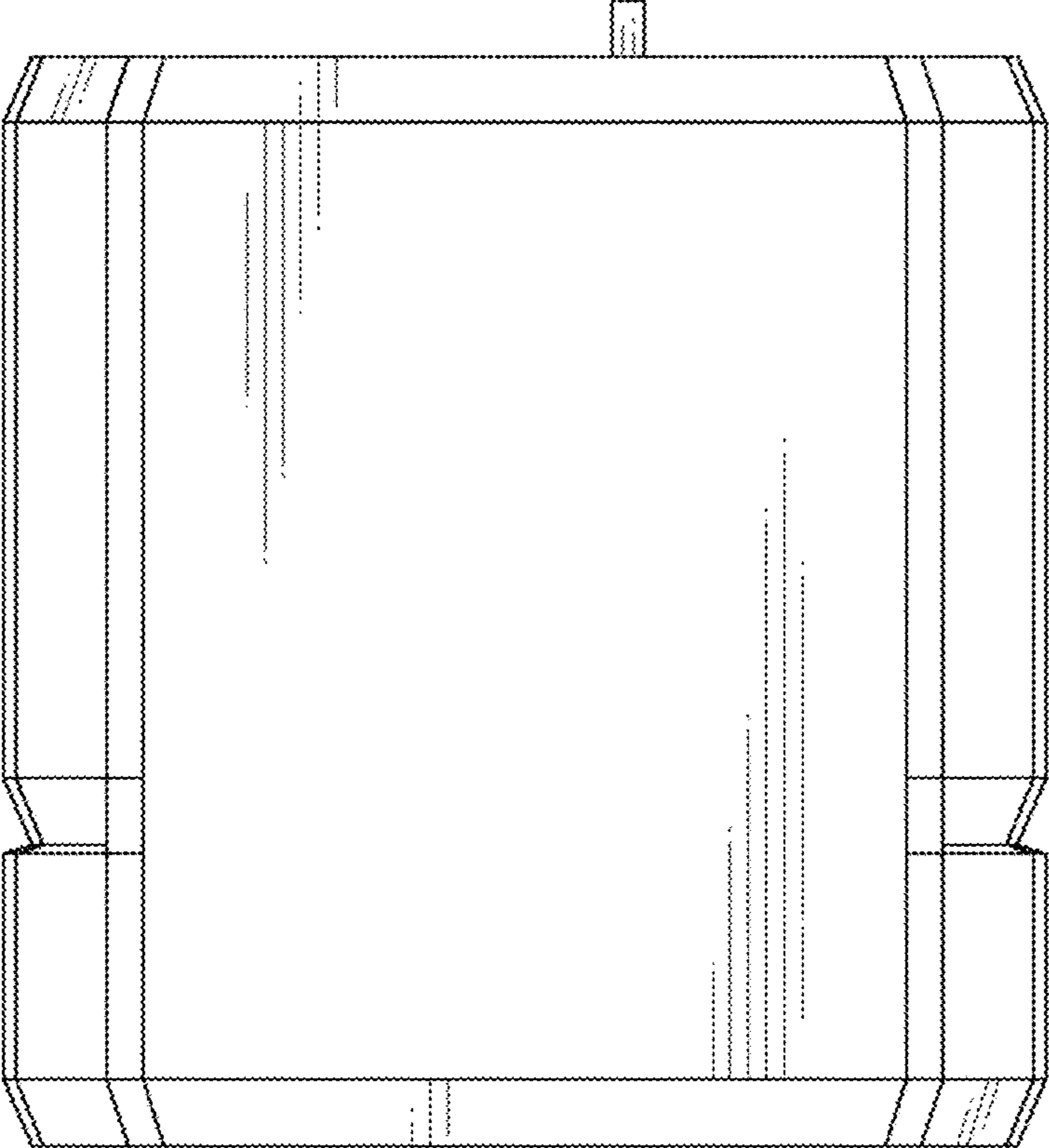


FIG. 4

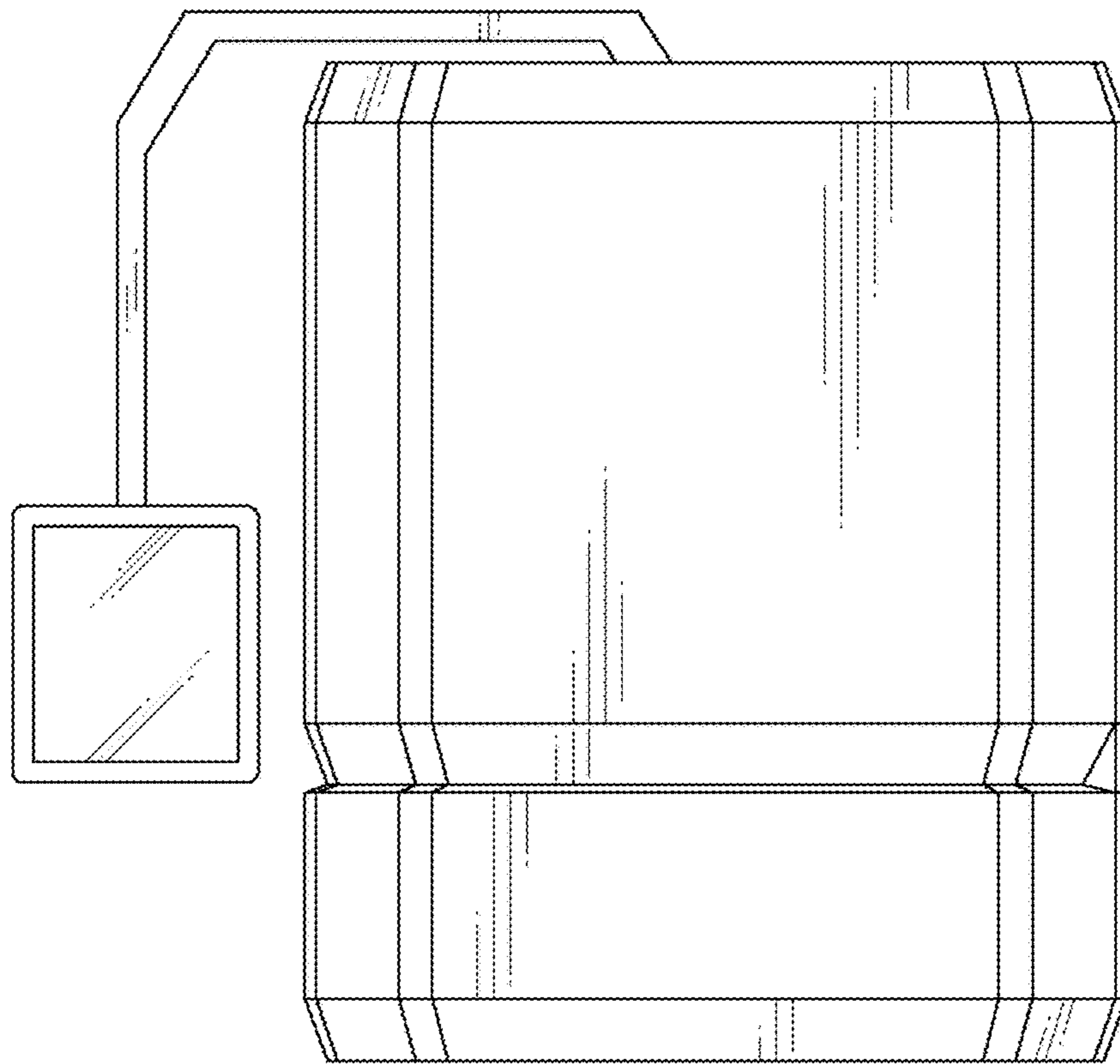


FIG. 5

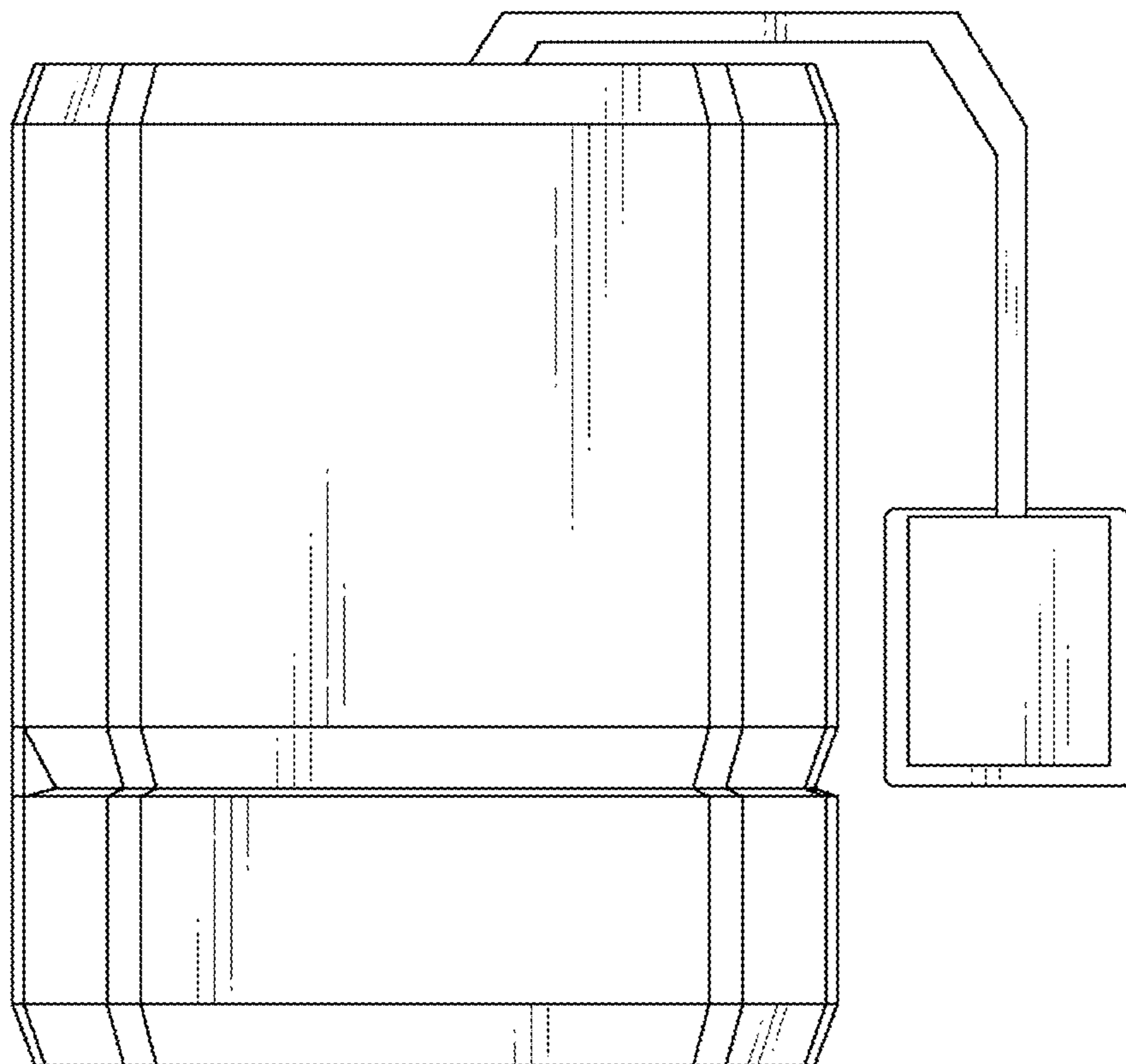


FIG. 6

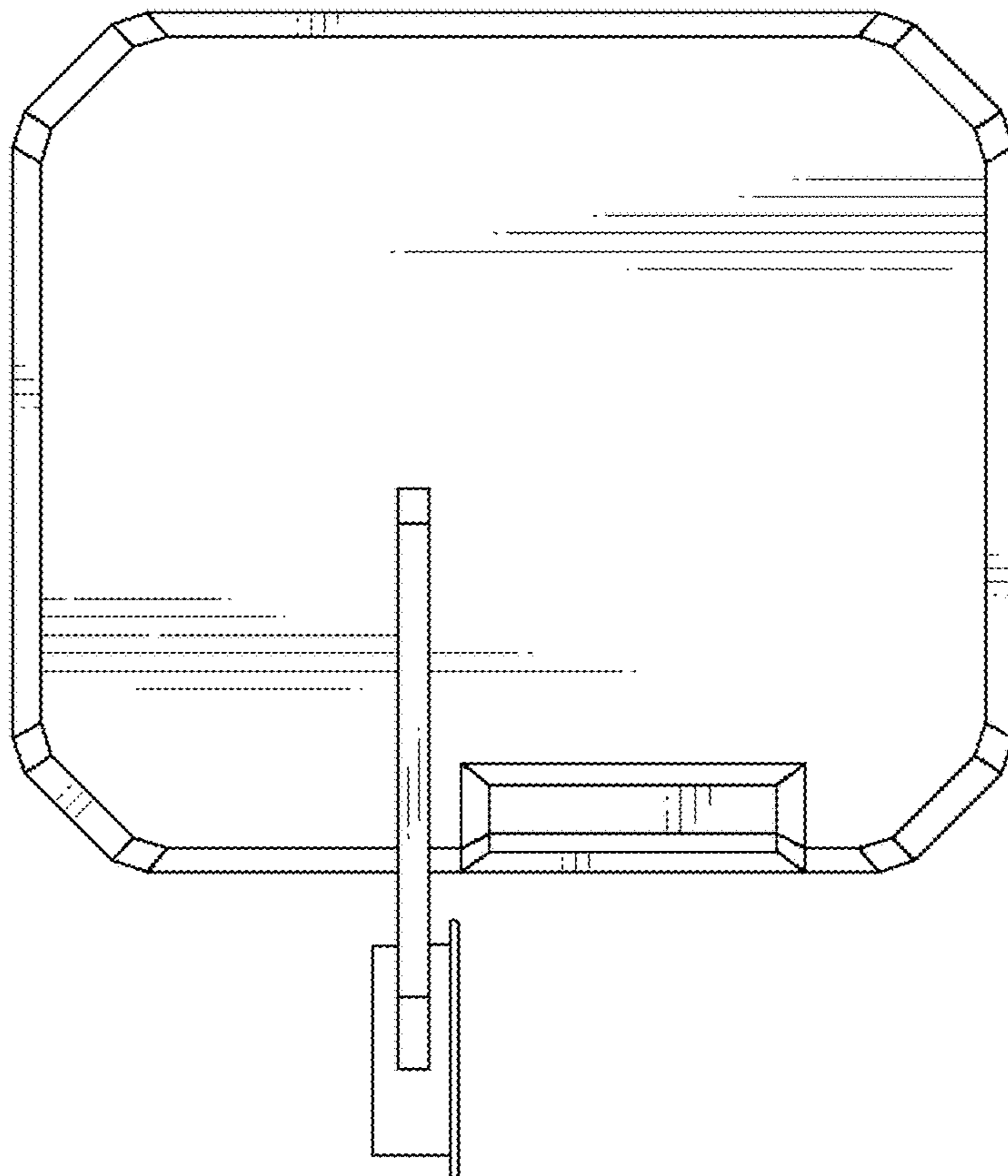


FIG. 7

