



US00D858589S

(12) **United States Design Patent** (10) **Patent No.:** **US D858,589 S**
Chinalapalli Patta et al. (45) **Date of Patent:** **** Sep. 3, 2019**

(54) **PNEUMATIC GRIPPER APPARATUS FOR HANDLING GOODS**

(71) Applicant: **Tata Consultancy Services Limited**,
Maharashtra (IN)

(72) Inventors: **Venkat Raju Chinalapalli Patta**,
Karnataka (IN); **Venkaatesh Prasad**
Bangalore Srinivas, Karnataka (IN);
Swagat Kumar, Karnataka (IN)

(73) Assignee: **TATA CONSULTANCY SERVICES LIMITED** (IN)

(**) Term: **15 Years**

(21) Appl. No.: **29/604,608**

(22) Filed: **May 18, 2017**

(30) **Foreign Application Priority Data**

Mar. 21, 2017 (IN) 291881

(51) **LOC (12) Cl.** **15-09**

(52) **U.S. Cl.**
USPC **D15/122; D15/145**

(58) **Field of Classification Search**
USPC D8/394; D15/122, 145, 199, 138;
D25/62-65, 69; D34/28, 34, 35
CPC B65B 35/38; B25J 9/107; B25J 15/0052;
B25J 15/0616; B65G 47/915; B65G
47/918

See application file for complete search history.

(56) **References Cited**

U.S. PATENT DOCUMENTS

2013/0038077 A1* 2/2013 Hummeler B65B 35/38
294/183
2015/0061596 A1* 3/2015 Park H02J 7/0042
320/113
2018/0079087 A1* 3/2018 De Boer B29D 30/0016

OTHER PUBLICATIONS

U.S. Appl. No. 29/582,225, filed Oct. 26, 2016.

* cited by examiner

Primary Examiner — Patricia A Palasik

(74) *Attorney, Agent, or Firm* — Hayes Soloway P.C.

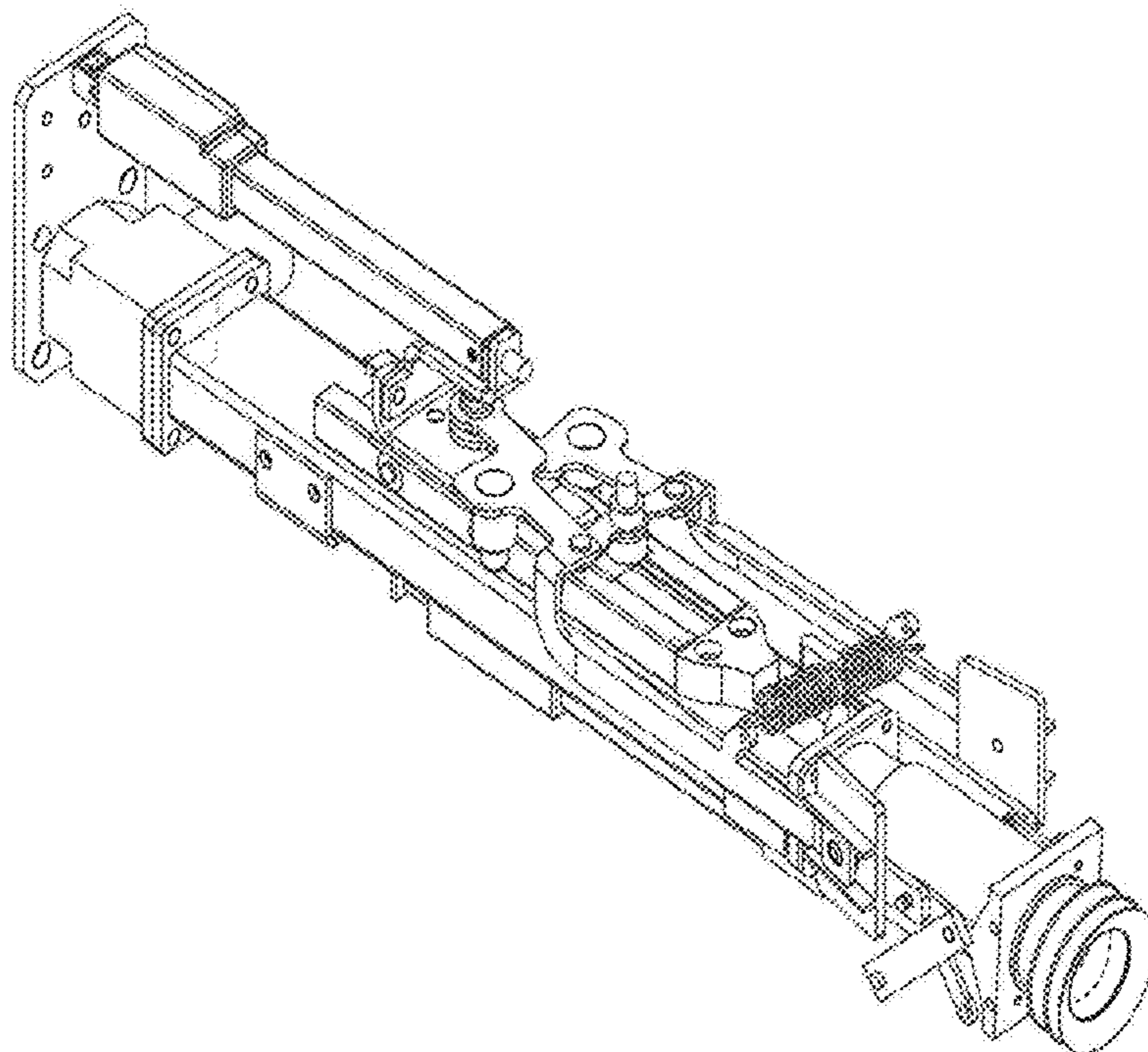
(57) **CLAIM**

We claim the ornamental design for a pneumatic gripper apparatus for handling goods, as shown and described.

DESCRIPTION

FIG. 1 is a front view of a pneumatic gripper apparatus for handling goods showing our new design;
 FIG. 2 is a back view thereof;
 FIG. 3 is a top view thereof;
 FIG. 4 is a bottom view thereof;
 FIG. 5 is a perspective view thereof;
 FIG. 6 is a right side view thereof; and,
 FIG. 7 is a left side view thereof.
 The broken lines in the drawings depict portions of the pneumatic gripper apparatus for handling goods that form no part of the claimed design.

1 Claim, 7 Drawing Sheets



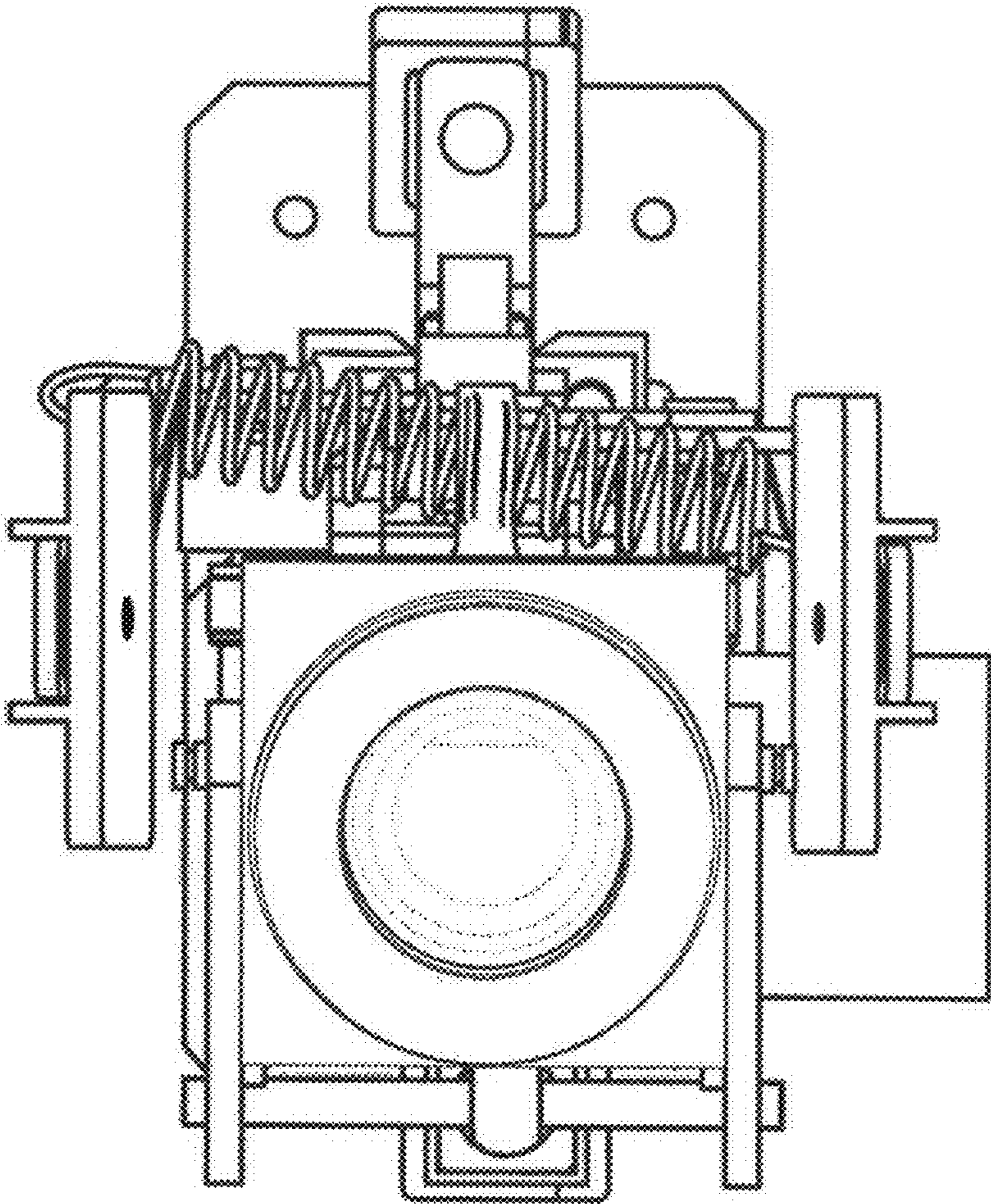


FIGURE 1

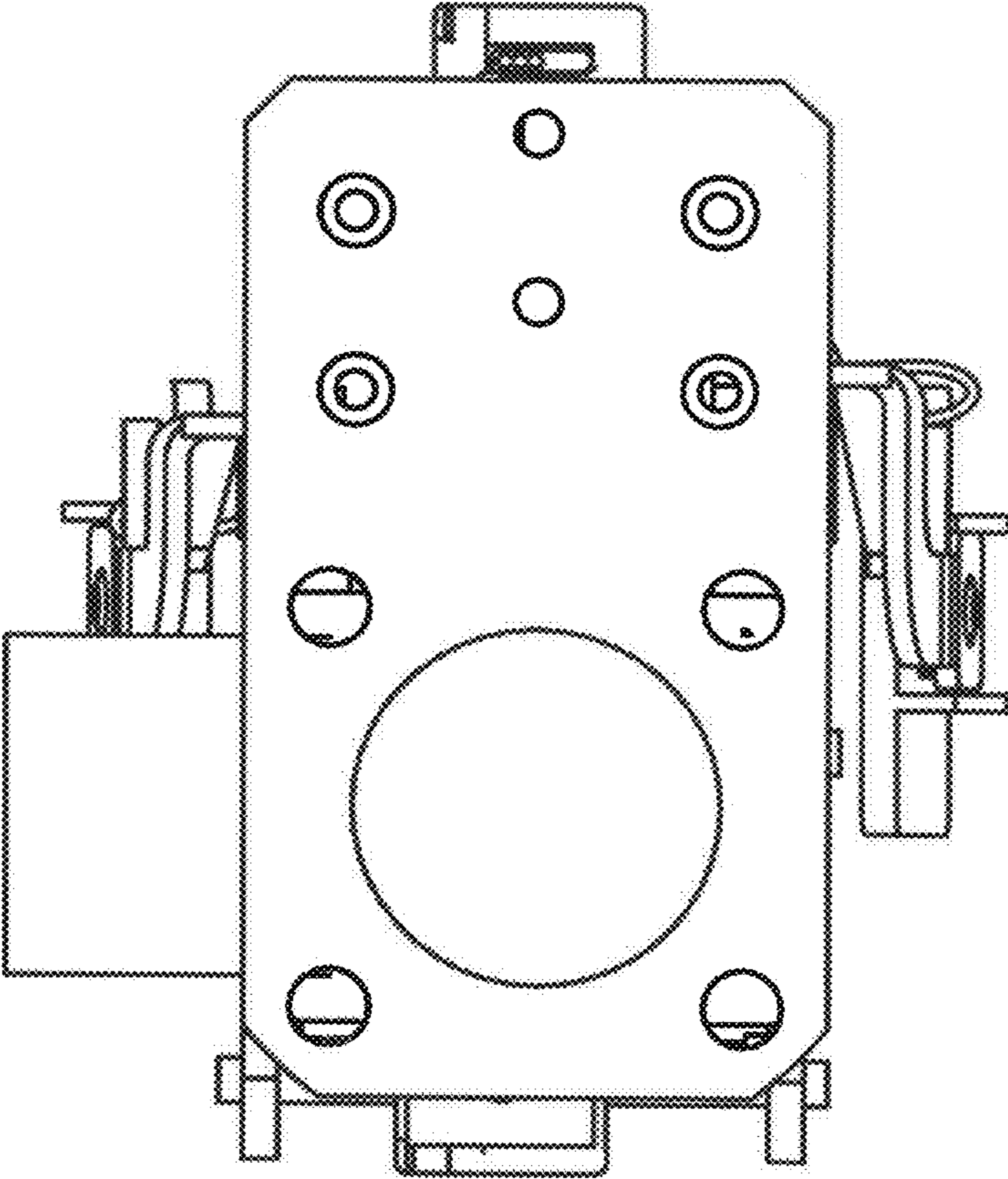


FIGURE 2

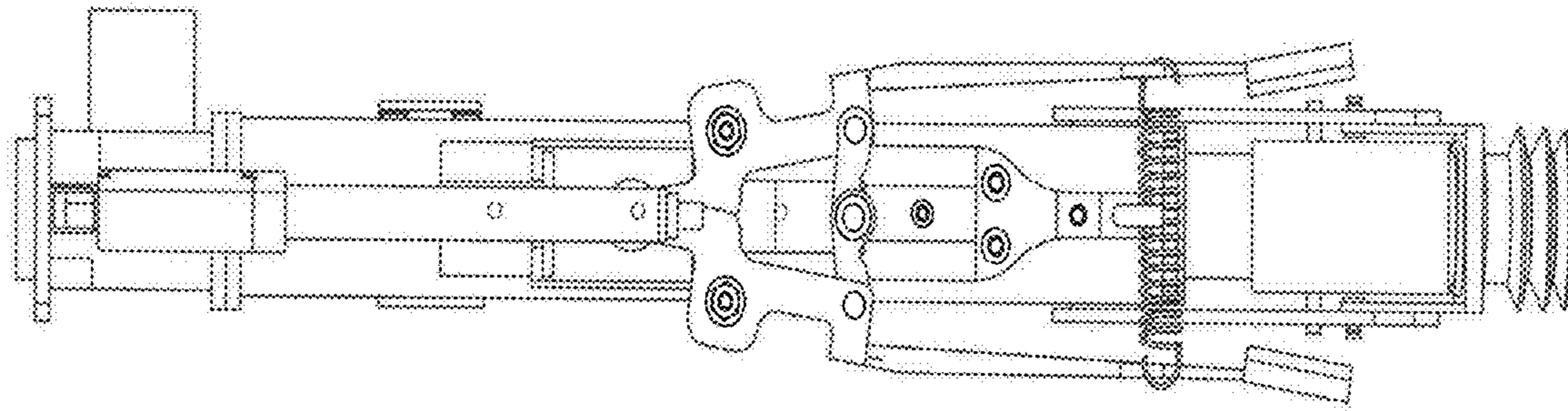


FIGURE 3

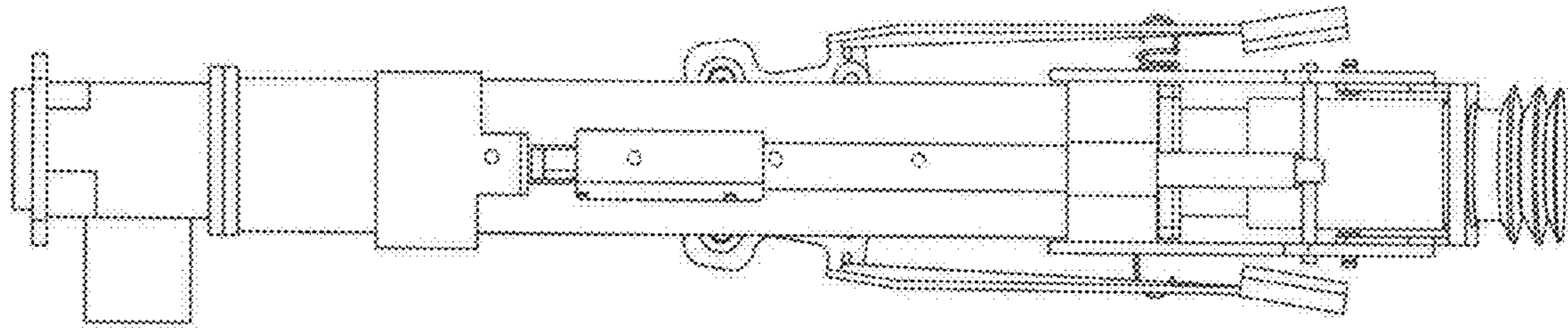


FIGURE 4

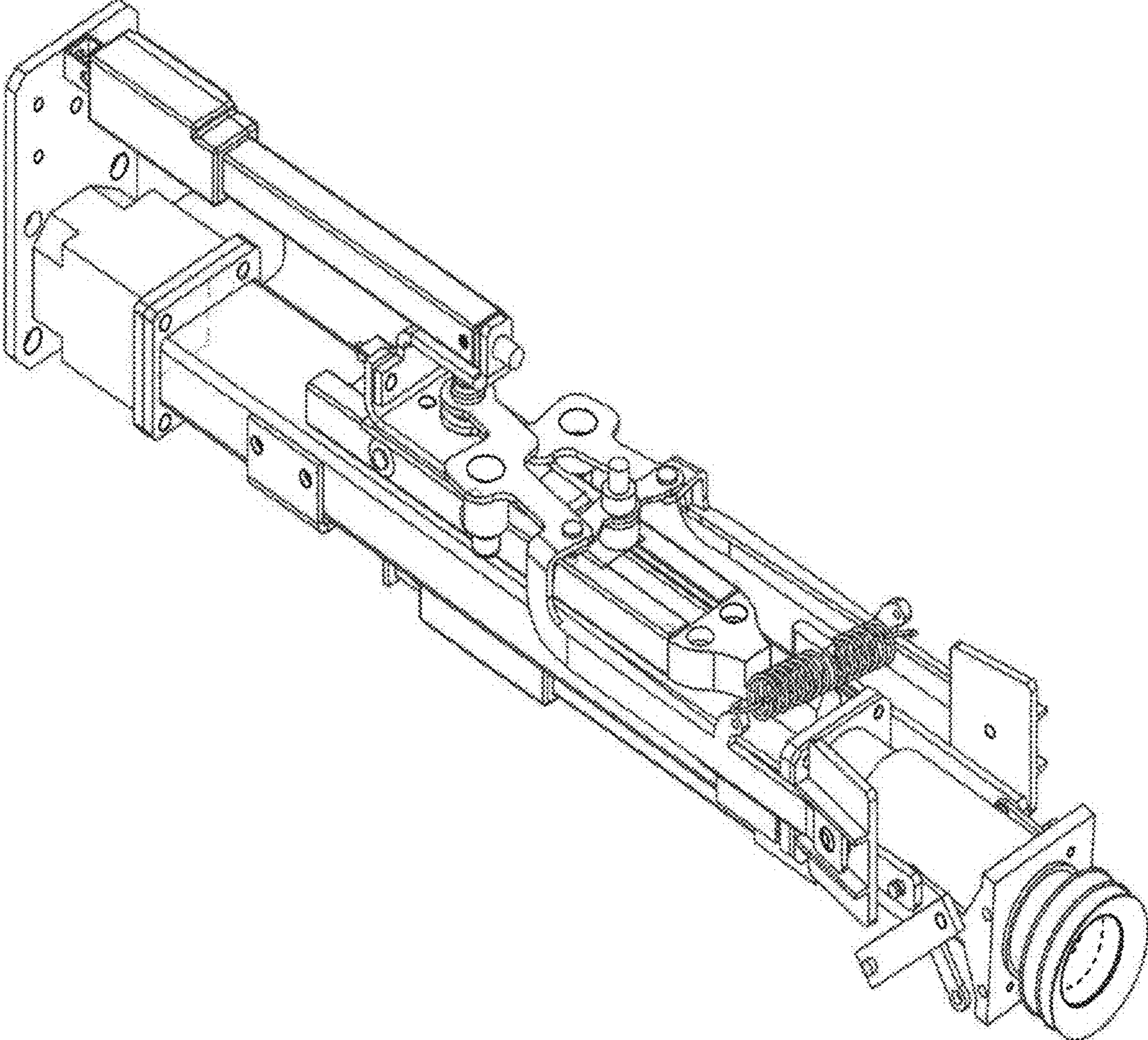


FIGURE 5

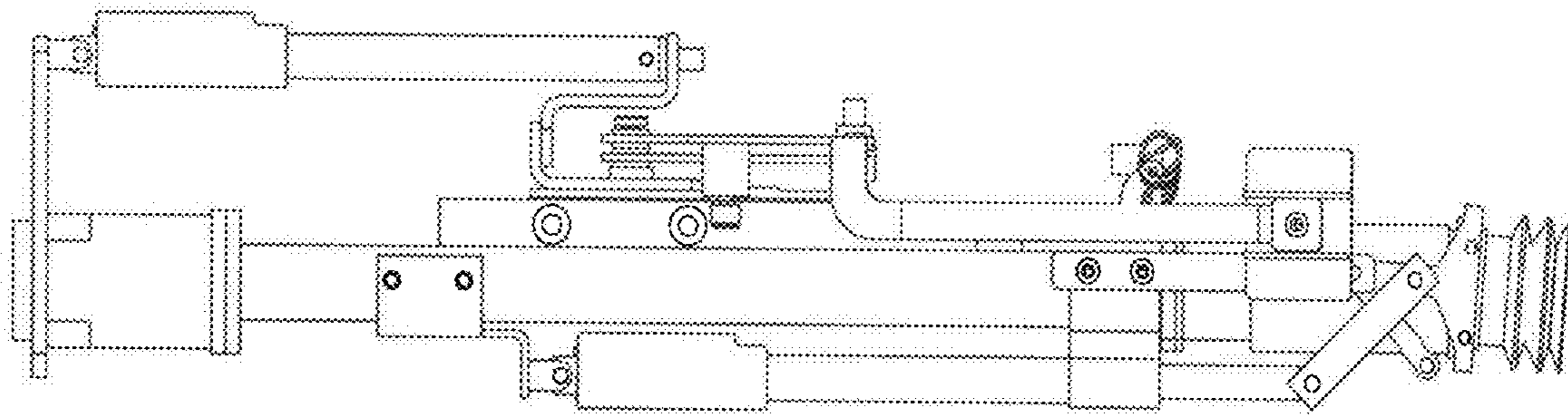


FIGURE 6

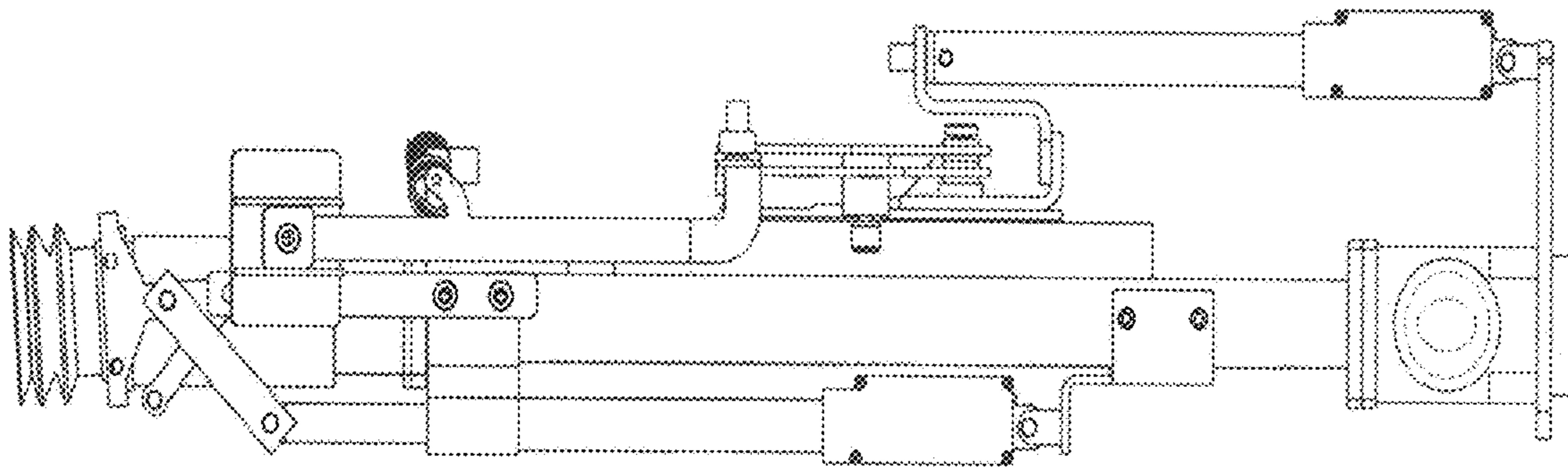


FIGURE 7