



US00D858582S

(12) **United States Design Patent**  
**Shibazaki**

(10) **Patent No.:** **US D858,582 S**

(45) **Date of Patent:** **\*\* Sep. 3, 2019**

(54) **RECIPROCATING PUMP**

(71) Applicant: **MARUYAMA MFG. CO., INC.**,  
Chiyoda-ku, Tokyo (JP)

(72) Inventor: **Atsushi Shibazaki**, Tokyo (JP)

(73) Assignee: **MARUYAMA MFG. CO., INC.**,  
Chiyoda-ku, Tokyo (JP)

(\*\*) Term: **15 Years**

(21) Appl. No.: **29/638,868**

(22) Filed: **Mar. 1, 2018**

(30) **Foreign Application Priority Data**

Oct. 17, 2017 (JP) ..... 2017-022954

(51) **LOC (12) Cl.** ..... **15-03**

(52) **U.S. Cl.**  
USPC ..... **D15/7**

(58) **Field of Classification Search**

USPC ..... D15/7-9; D23/225, 231, 232

CPC ..... F02M 37/04; F02M 37/14

See application file for complete search history.

(56) **References Cited**

**U.S. PATENT DOCUMENTS**

D692,026 S \* 10/2013 Alexander ..... D15/7

D699,762 S \* 2/2014 Alexander ..... D15/7

D702,262 S \* 4/2014 Magri ..... D15/9

D776,720 S \* 1/2017 Davalos ..... D15/7

D797,156 S \* 9/2017 Pademi ..... D15/7

D823,898 S \* 7/2018 Alexander ..... D15/7

D842,340 S \* 3/2019 Kuang ..... D15/7

D844,670 S \* 4/2019 Sinico ..... D15/7

\* cited by examiner

*Primary Examiner* — Khawaja Anwar

(74) *Attorney, Agent, or Firm* — Leydig Voit & Mayer

(57) **CLAIM**

The ornamental design for a reciprocating pump, as shown and described.

**DESCRIPTION**

FIG. 1 is a top perspective view of a reciprocating pump showing my new design.

FIG. 2 is a bottom perspective view thereof;

FIG. 3 is a front view thereof;

FIG. 4 is a rear view thereof;

FIG. 5 is a top plan view thereof;

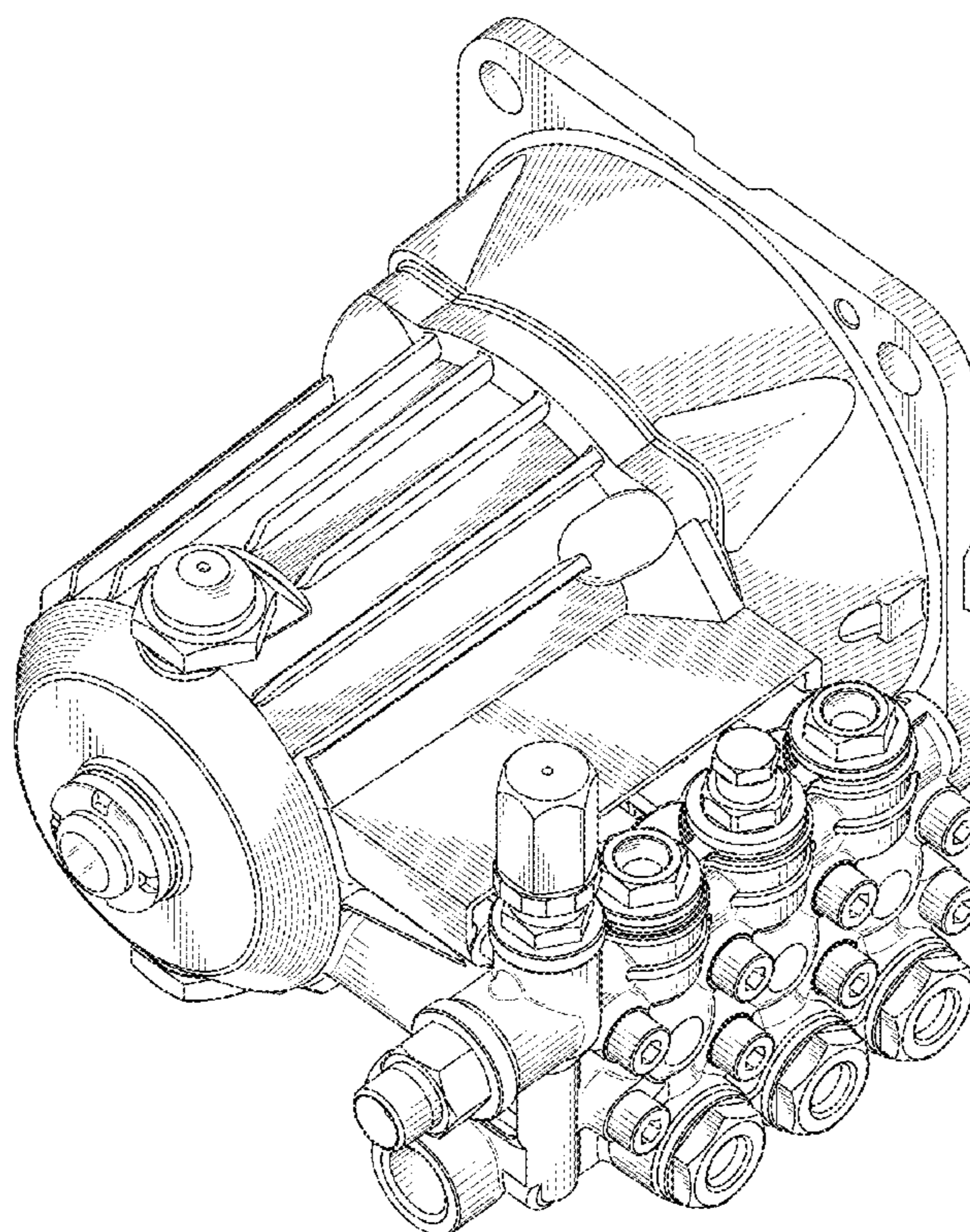
FIG. 6 is a bottom plan view thereof;

FIG. 7 is a right side view thereof; and,

FIG. 8 is a left side view thereof.

The broken line showing of the reciprocating pump is included for the purpose of illustrating portions of the reciprocating pump and forms no part of the claimed design.

**1 Claim, 8 Drawing Sheets**





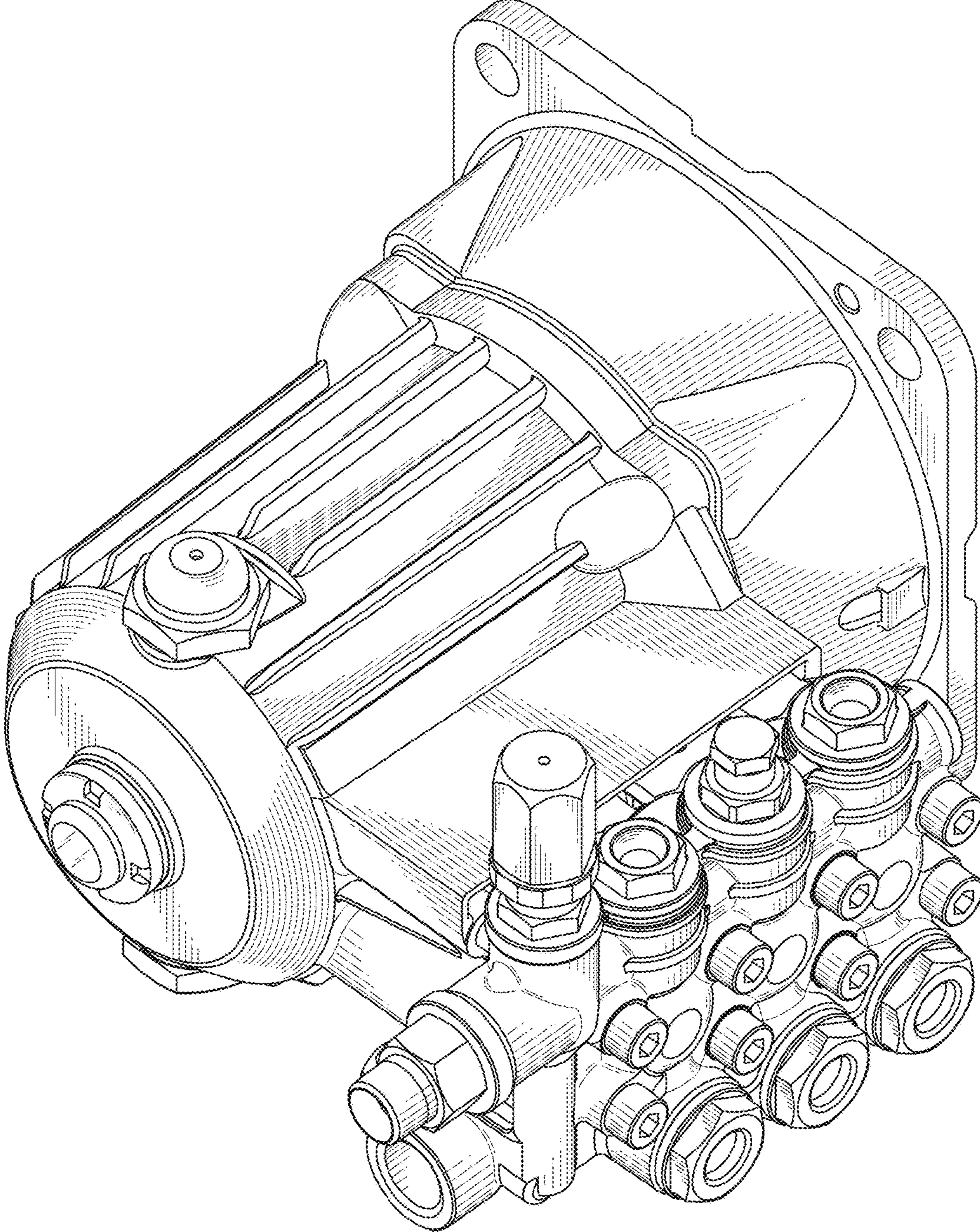


FIG. 1



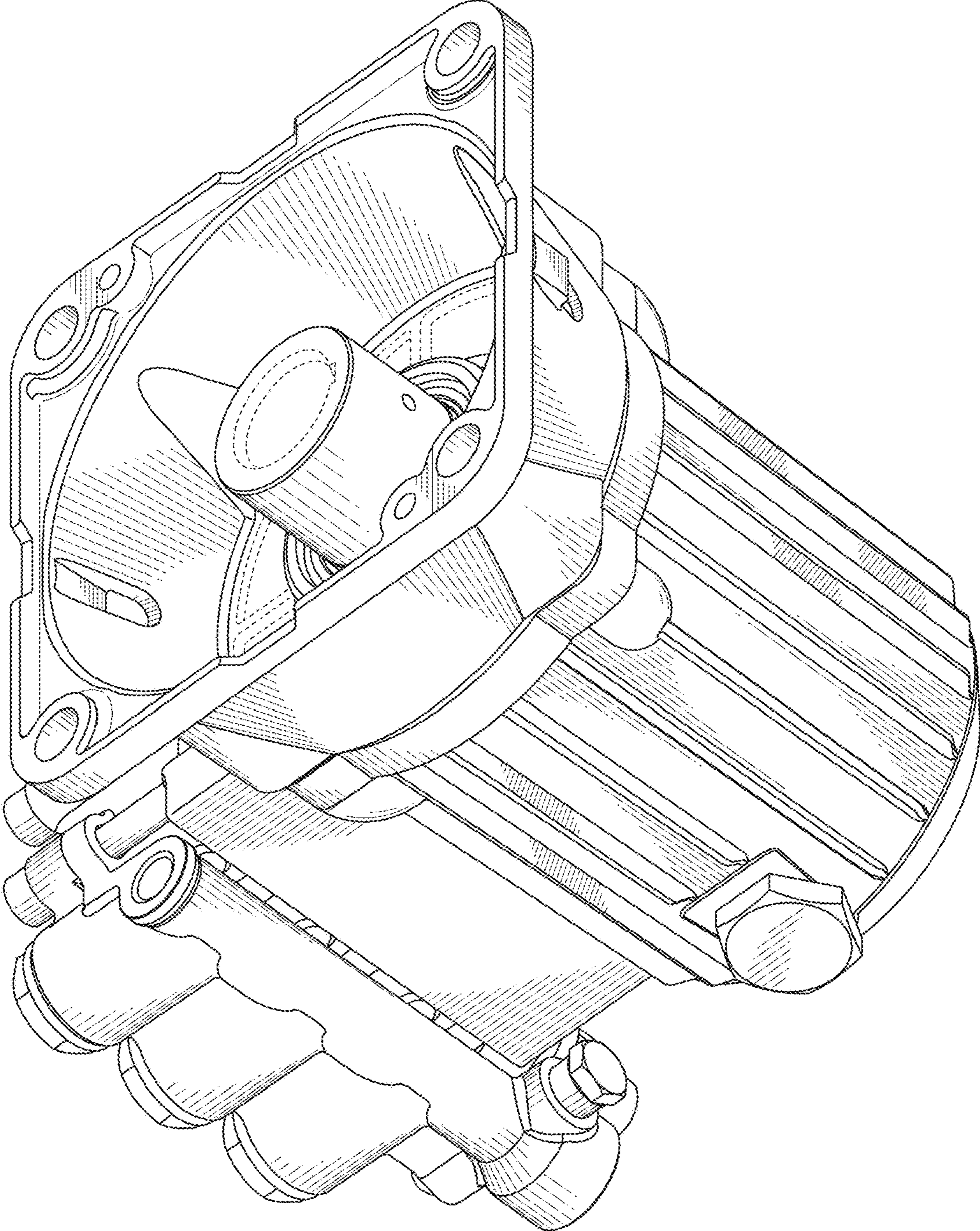


FIG. 2



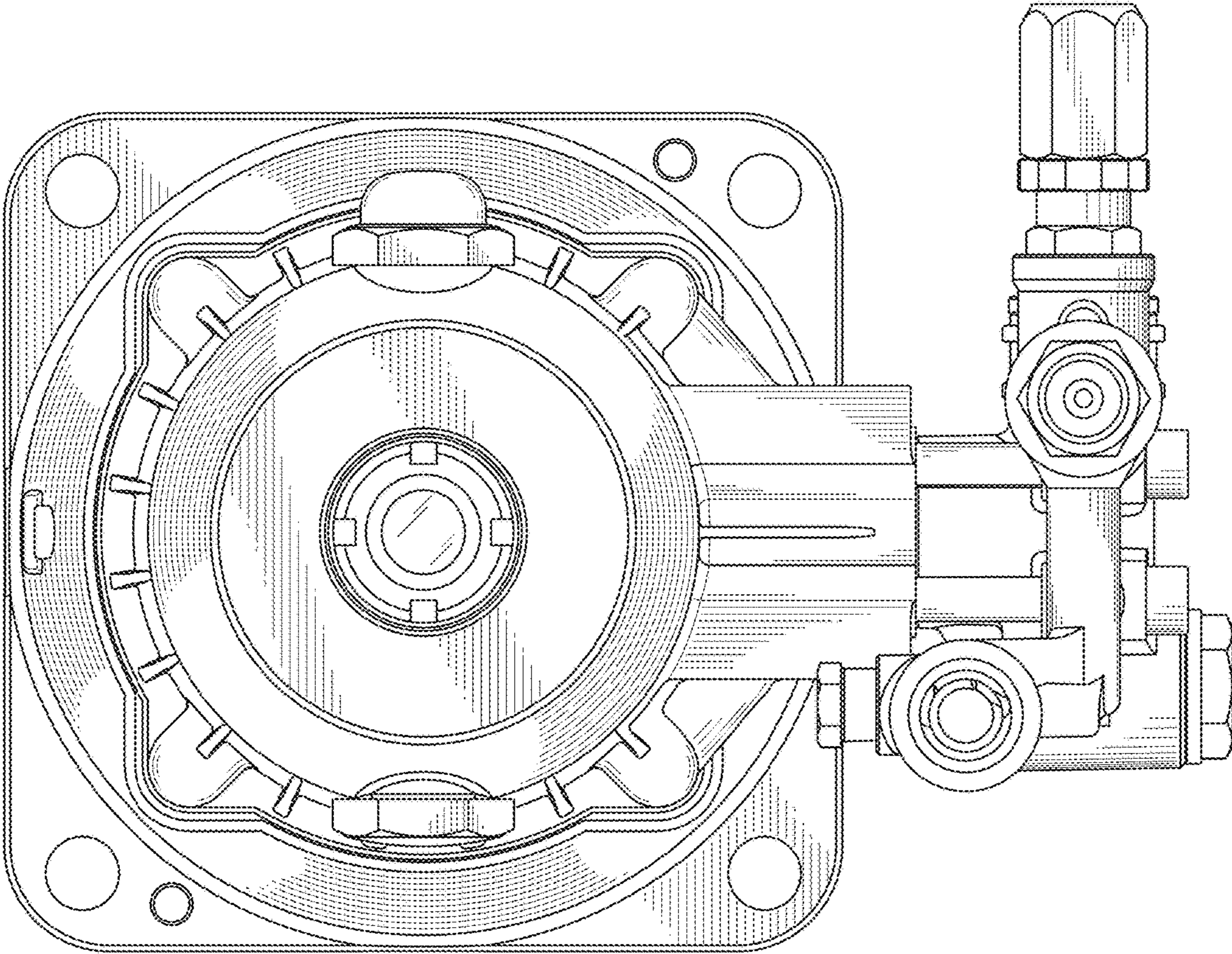


FIG. 3

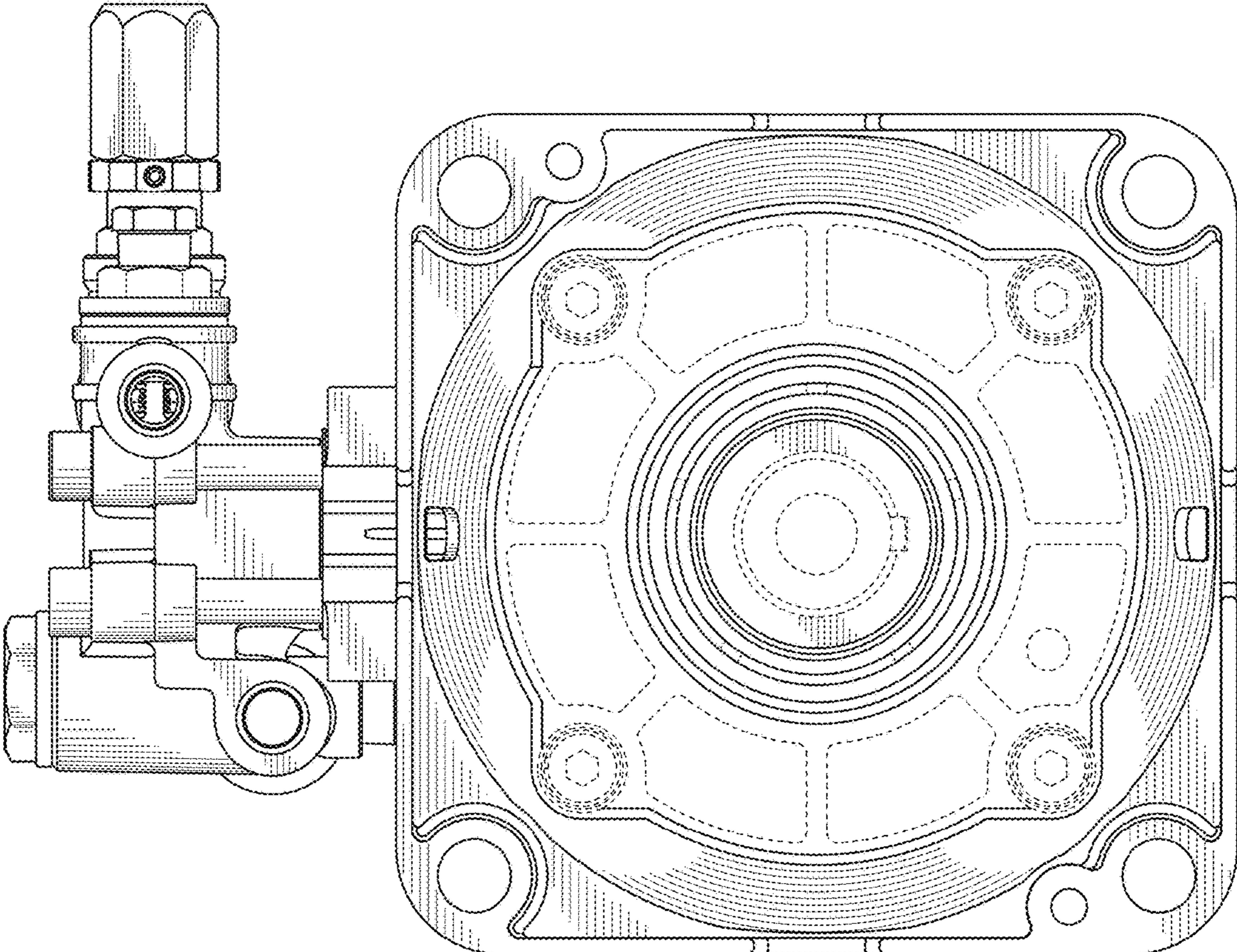


FIG. 4



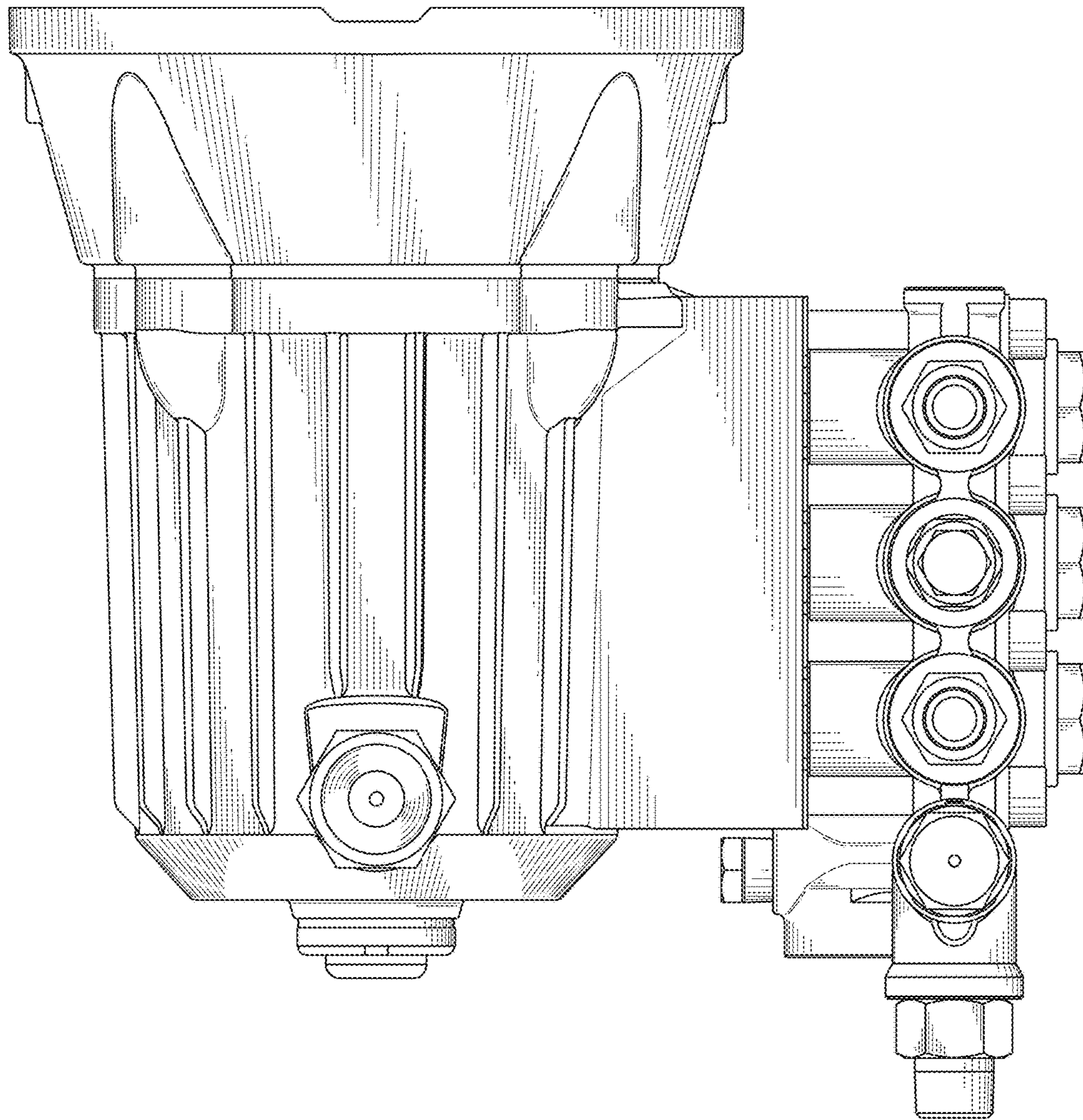


FIG. 5

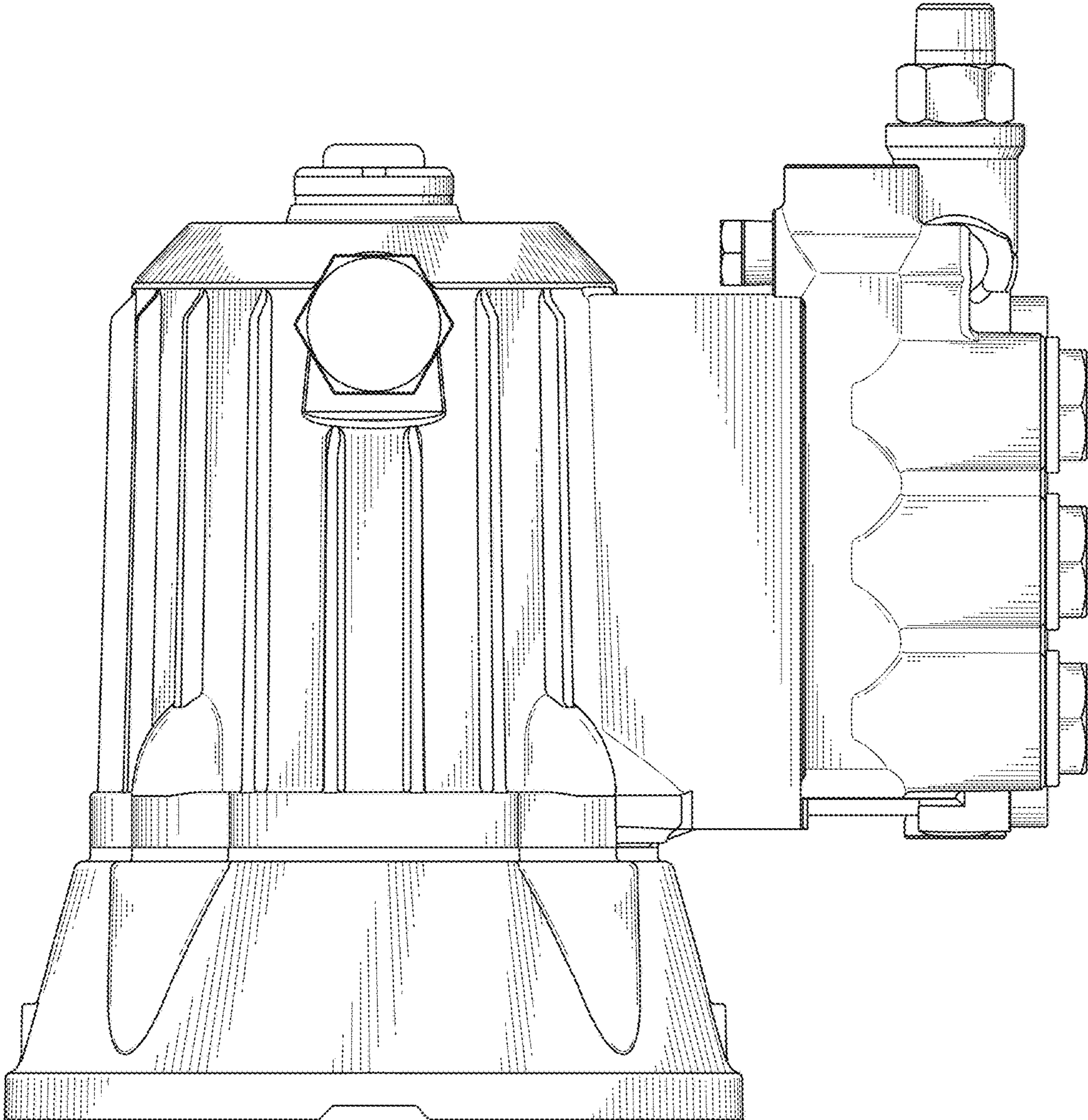


FIG. 6



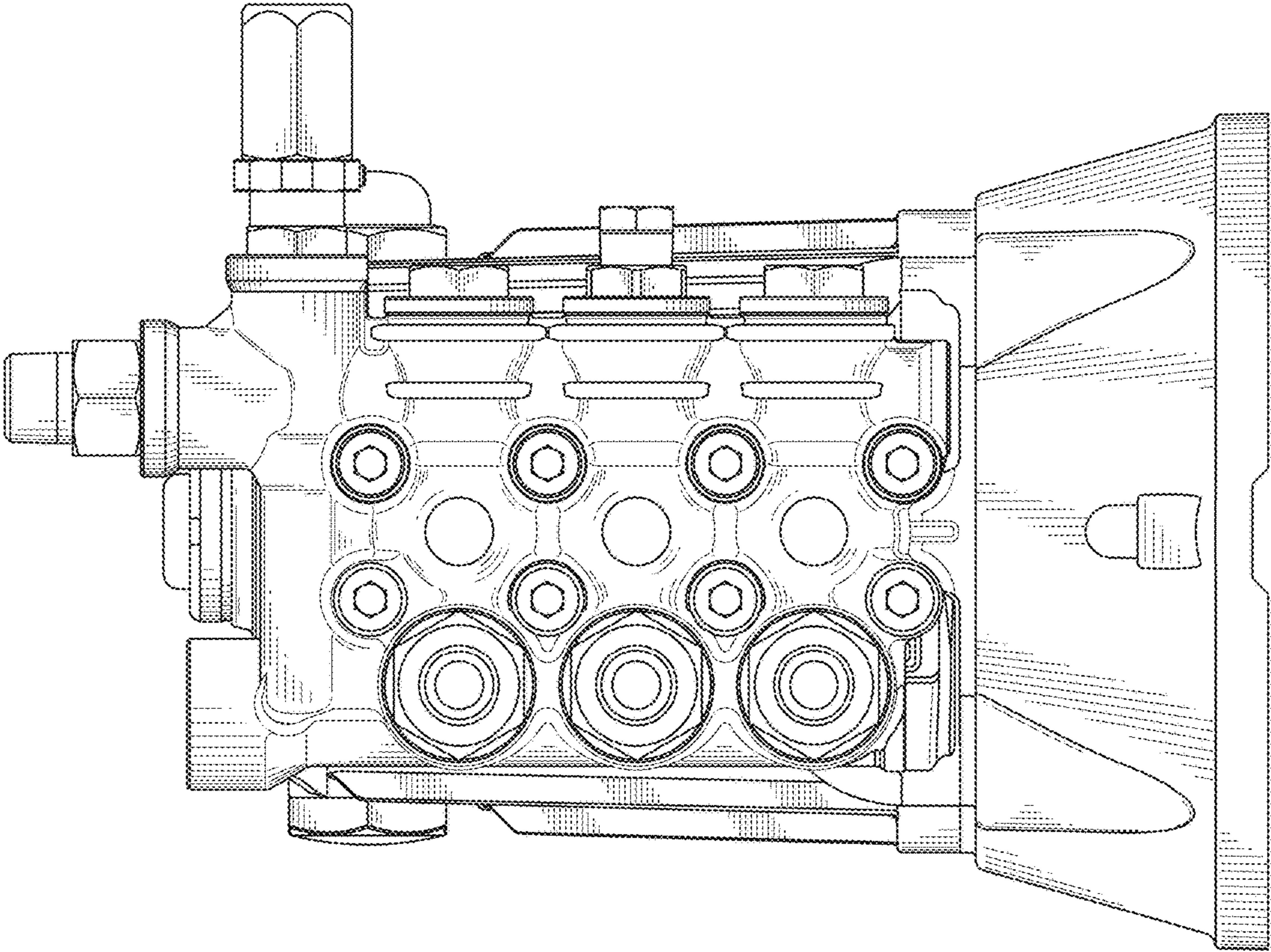


FIG. 7



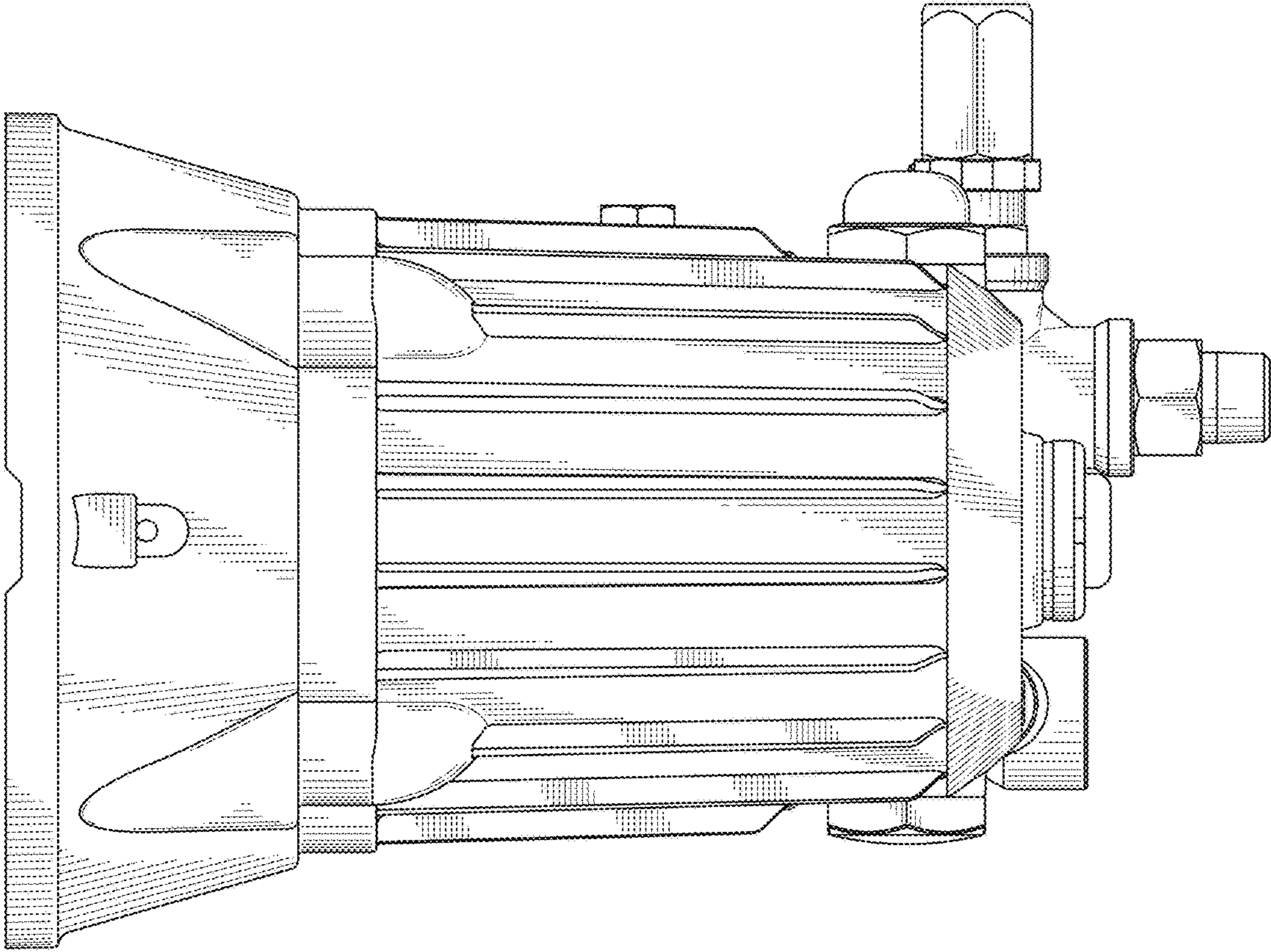


FIG. 8