



US00D858580S

(12) **United States Design Patent** (10) **Patent No.:** **US D858,580 S**
Azuma et al. (45) **Date of Patent:** **** Sep. 3, 2019**

(54) **INTERNAL-COMBUSTION ENGINE**

(71) Applicant: **HONDA MOTOR CO., LTD.**, Tokyo (JP)

(72) Inventors: **Koichi Azuma**, Wako (JP); **Kazuo Miyamoto**, Wako (JP)

(73) Assignee: **HONDA MOTOR CO., LTD.**, Tokyo (JP)

(**) Term: **15 Years**

(21) Appl. No.: **29/650,501**

(22) Filed: **Jun. 7, 2018**

(30) **Foreign Application Priority Data**

Dec. 8, 2017 (JP) 2017-027542

(51) **LOC (12) Cl.** **15-01**

(52) **U.S. Cl.**
USPC **D15/5**

(58) **Field of Classification Search**
USPC D15/1-6, 14
CPC F02B 75/007; F02B 61/02; F02B 75/005;
F02B 2075/022; F02B 75/16; F02B 2075/1808; F02B 75/34; F02B 77/02;
F02B 2700/03; F02B 2710/03; F02B 2730/011; F02B 63/02; F02B 2075/027;
F02B 2075/1816; F02B 2075/1824; F02B 2063/045; F01M 13/022; F01M 2013/0461; F01M 13/04; F02F 7/0068; F02F 2007/0075; F02M 35/0201

See application file for complete search history.

(56) **References Cited**

U.S. PATENT DOCUMENTS

D347,640 S * 6/1994 Chunn D15/14
D396,045 S * 7/1998 Neeley D15/1
D397,342 S * 8/1998 Shimizu D15/14

D484,889 S * 1/2004 Neeley D15/1
D487,751 S * 3/2004 Neeley D15/5
D513,012 S * 12/2005 Strandell D15/5
D513,754 S * 1/2006 Strandell D15/5
D525,991 S * 8/2006 Walters D15/5
D527,022 S * 8/2006 Walters D15/5
D548,750 S * 8/2007 Neeley D15/5
D557,280 S * 12/2007 Osumi D15/1
D567,258 S * 4/2008 Wilkens D15/17
D576,178 S * 9/2008 Neeley D15/1
D628,596 S * 12/2010 Azuma D15/1
D647,536 S * 10/2011 Tiefenthaler D15/5
D671,959 S * 12/2012 Burey D15/5
D691,177 S * 10/2013 Tiefenthaler D15/5
D718,339 S * 11/2014 Damshak D15/14

(Continued)

Primary Examiner — T Chase Nelson

Assistant Examiner — Ania K Aman

(74) *Attorney, Agent, or Firm* — Westerman, Hattori, Daniels & Adrian, LLP

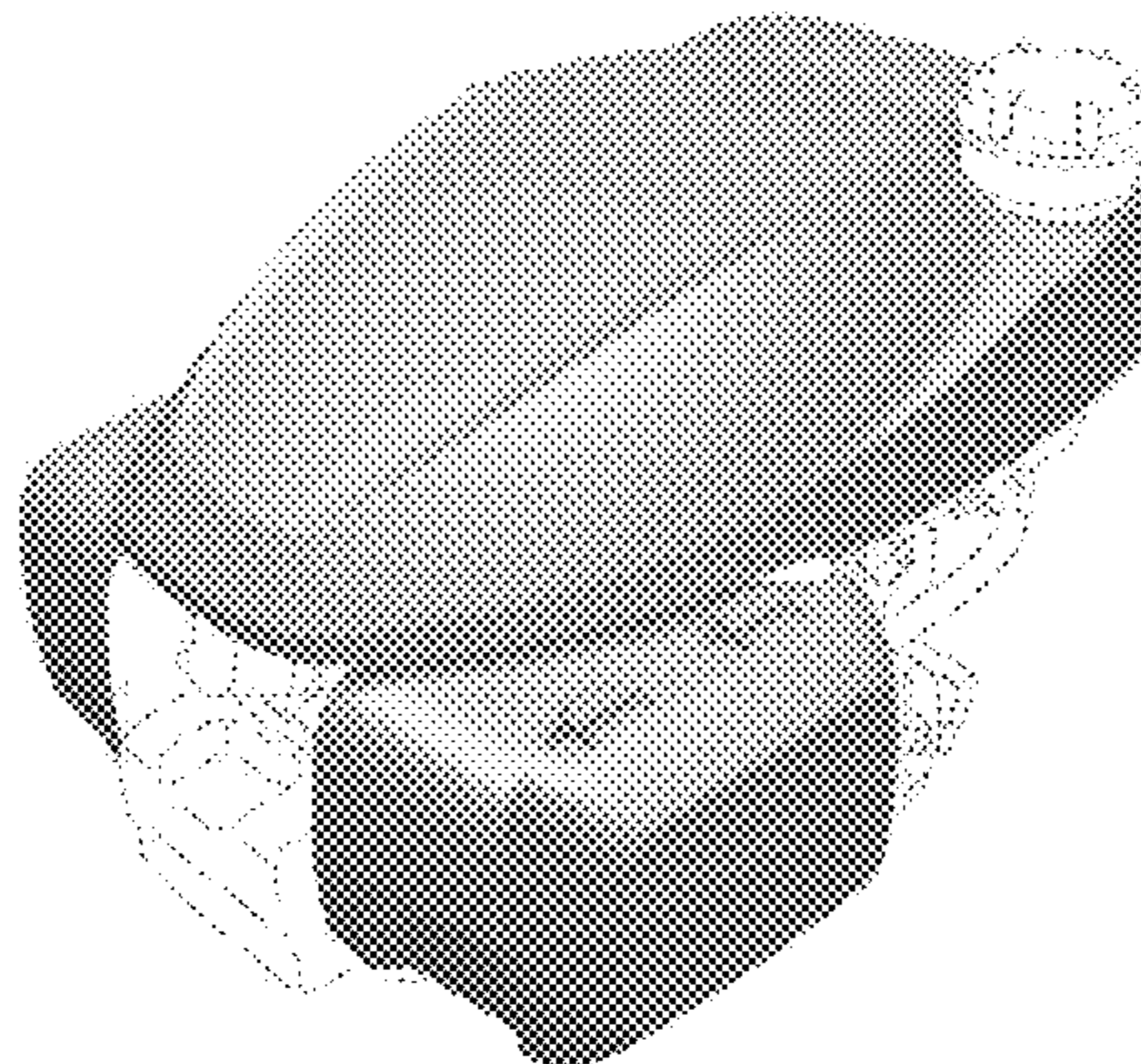
(57) **CLAIM**

The ornamental design for an internal-combustion engine, as shown and described.

DESCRIPTION

FIG. 1 is a first perspective view of an internal-combustion engine, showing our new design;
FIG. 2 is a second perspective view thereof;
FIG. 3 is a third perspective view thereof;
FIG. 4 is a fourth perspective view thereof;
FIG. 5 is a front elevation view thereof;
FIG. 6 is a rear elevation view thereof;
FIG. 7 is a top plan view thereof;
FIG. 8 is a bottom plan view thereof;
FIG. 9 is a right side elevation view thereof; and,
FIG. 10 is a left side elevation view thereof.
The broken lines shown in the drawings illustrate portions of the internal-combustion engine that form no part of the claimed design.

1 Claim, 10 Drawing Sheets



(56)

References Cited

U.S. PATENT DOCUMENTS

D734,721 S *	7/2015	Fujiwara	D13/112
D776,164 S *	1/2017	Hashimoto	D15/1
D780,225 S *	2/2017	Hashimoto	D15/1
D805,111 S *	12/2017	Fujiwara	D15/14
2013/0019822 A1 *	1/2013	Raasch	F02N 3/02 123/41.65

* cited by examiner

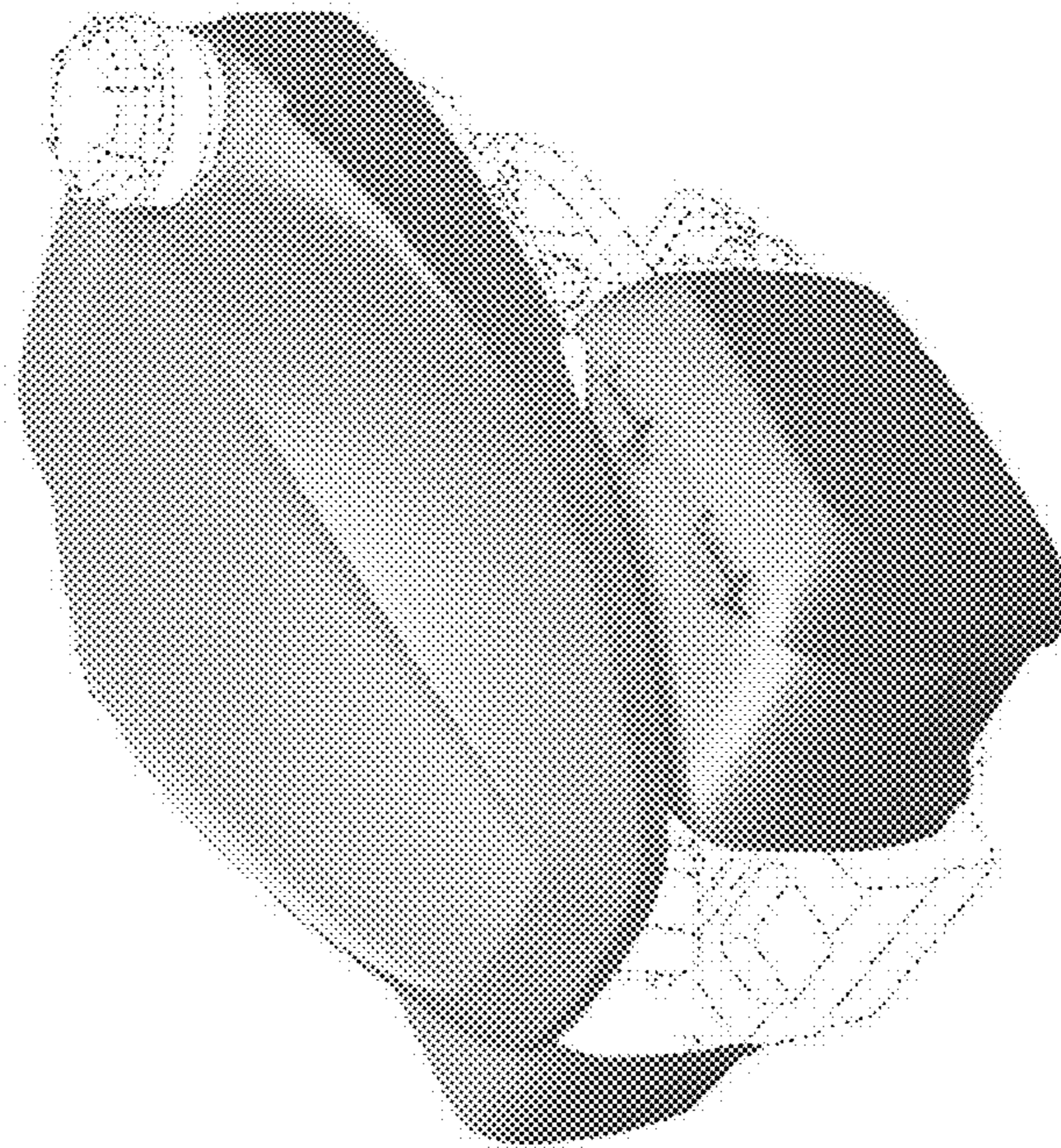
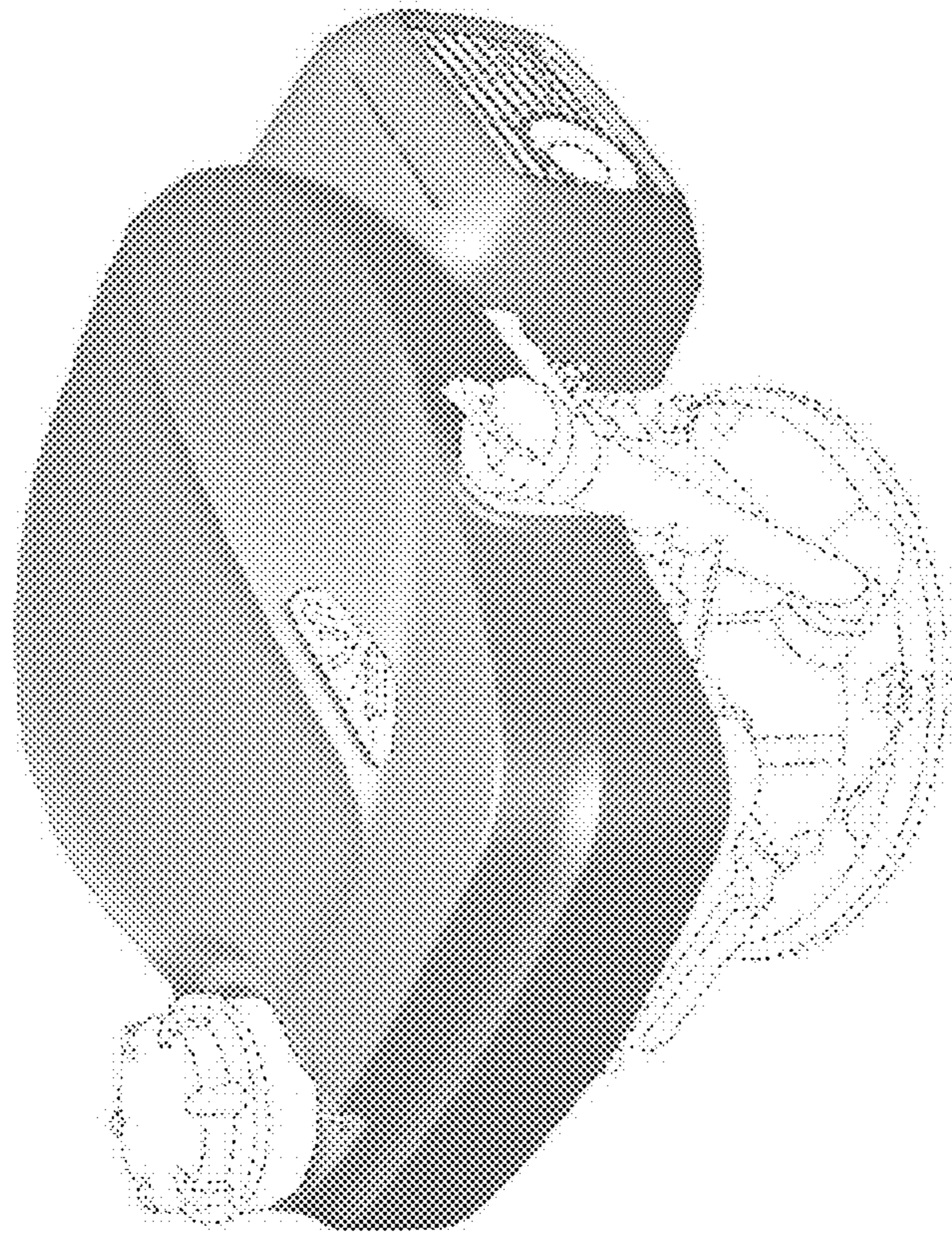


Fig. 1

Fig. 2



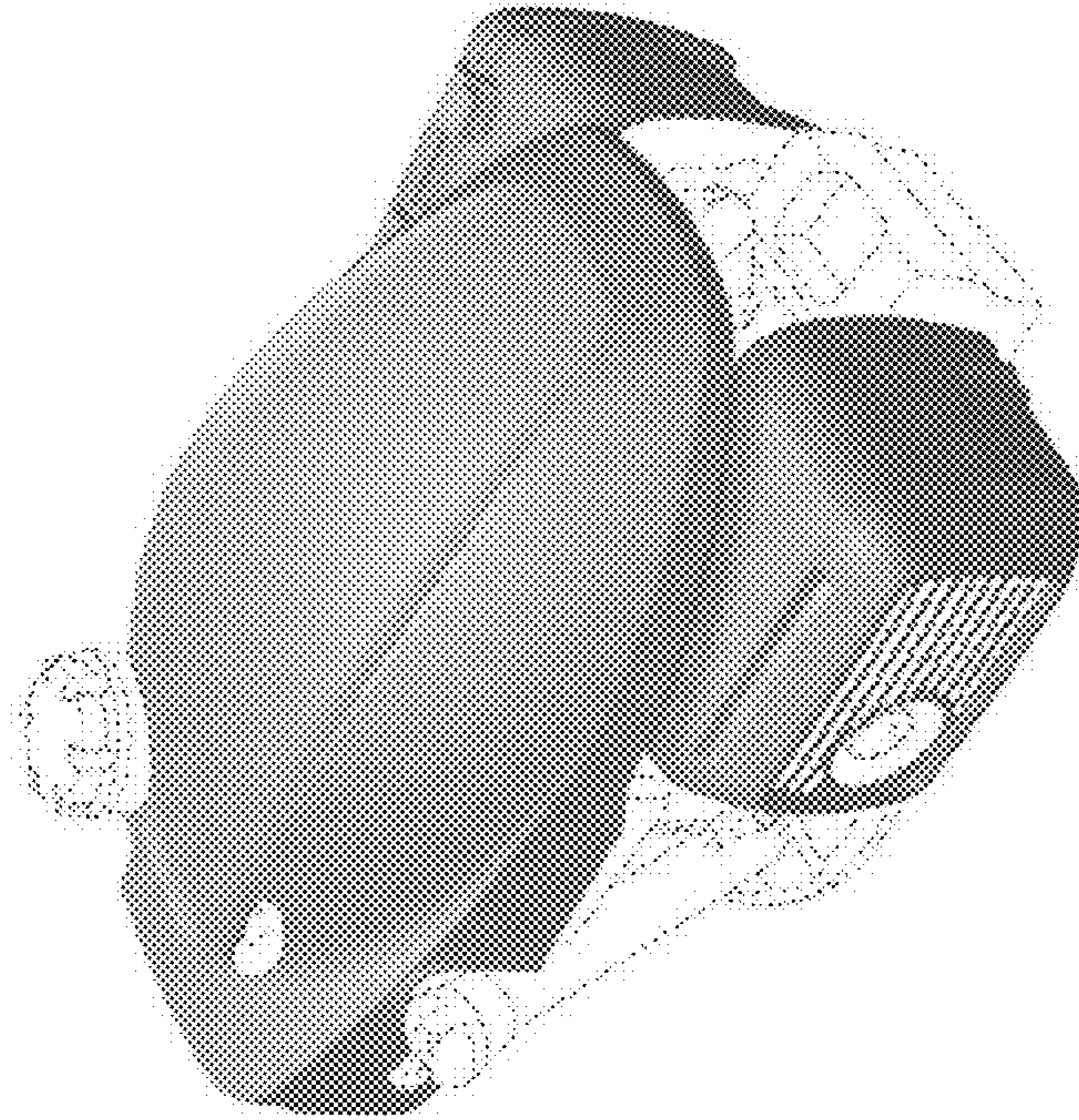


Fig. 3

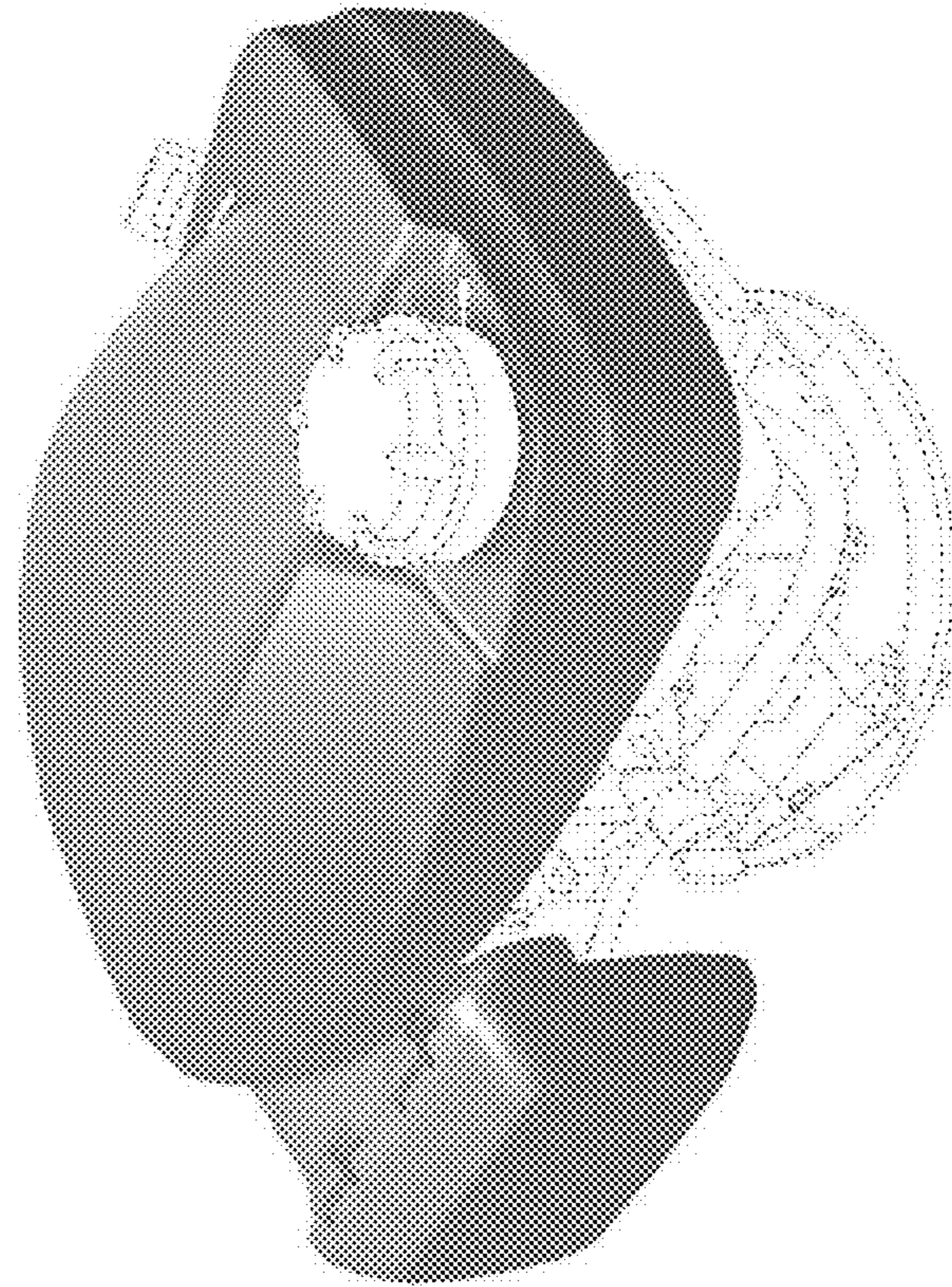


Fig. 4

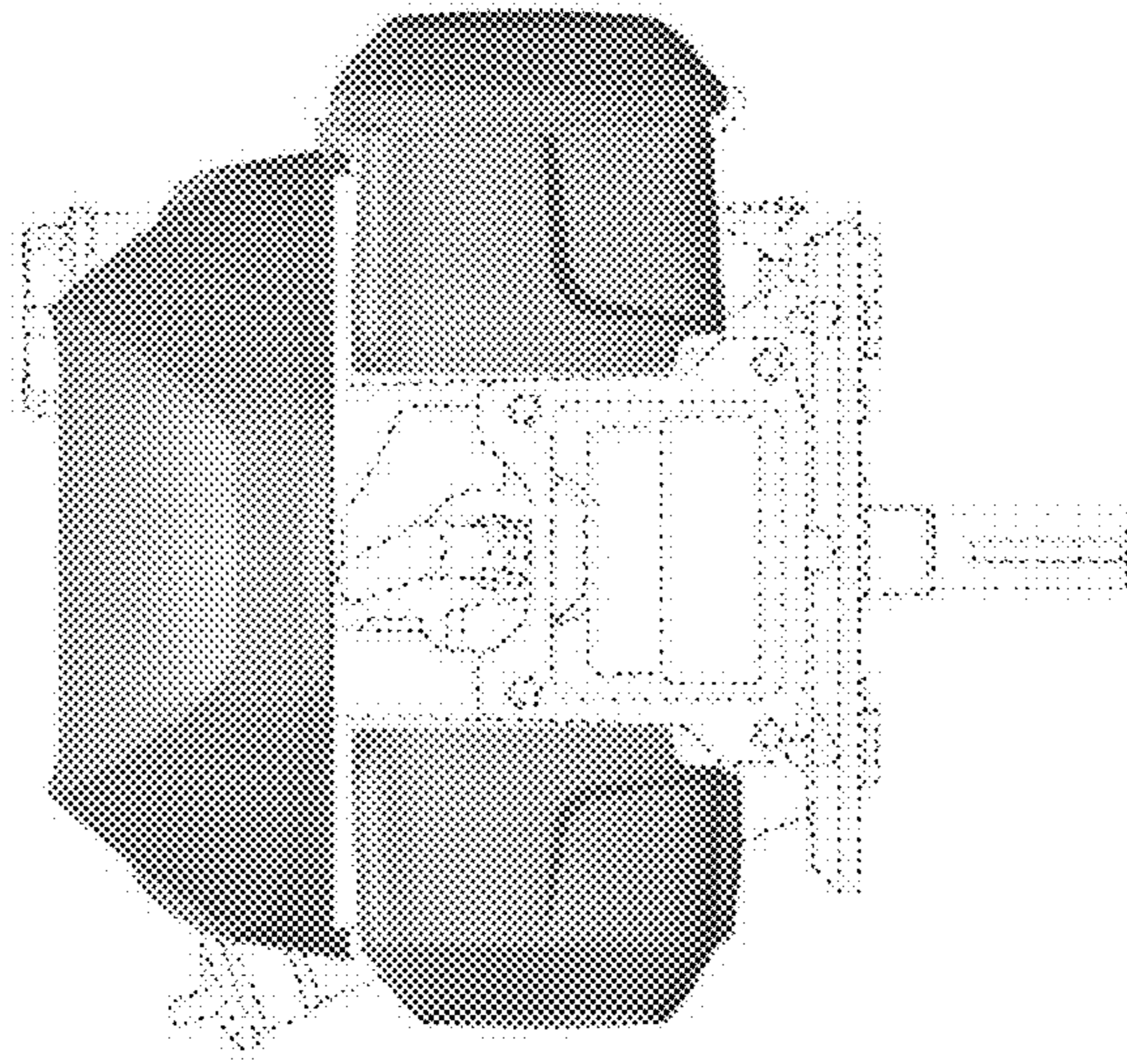


Fig. 5

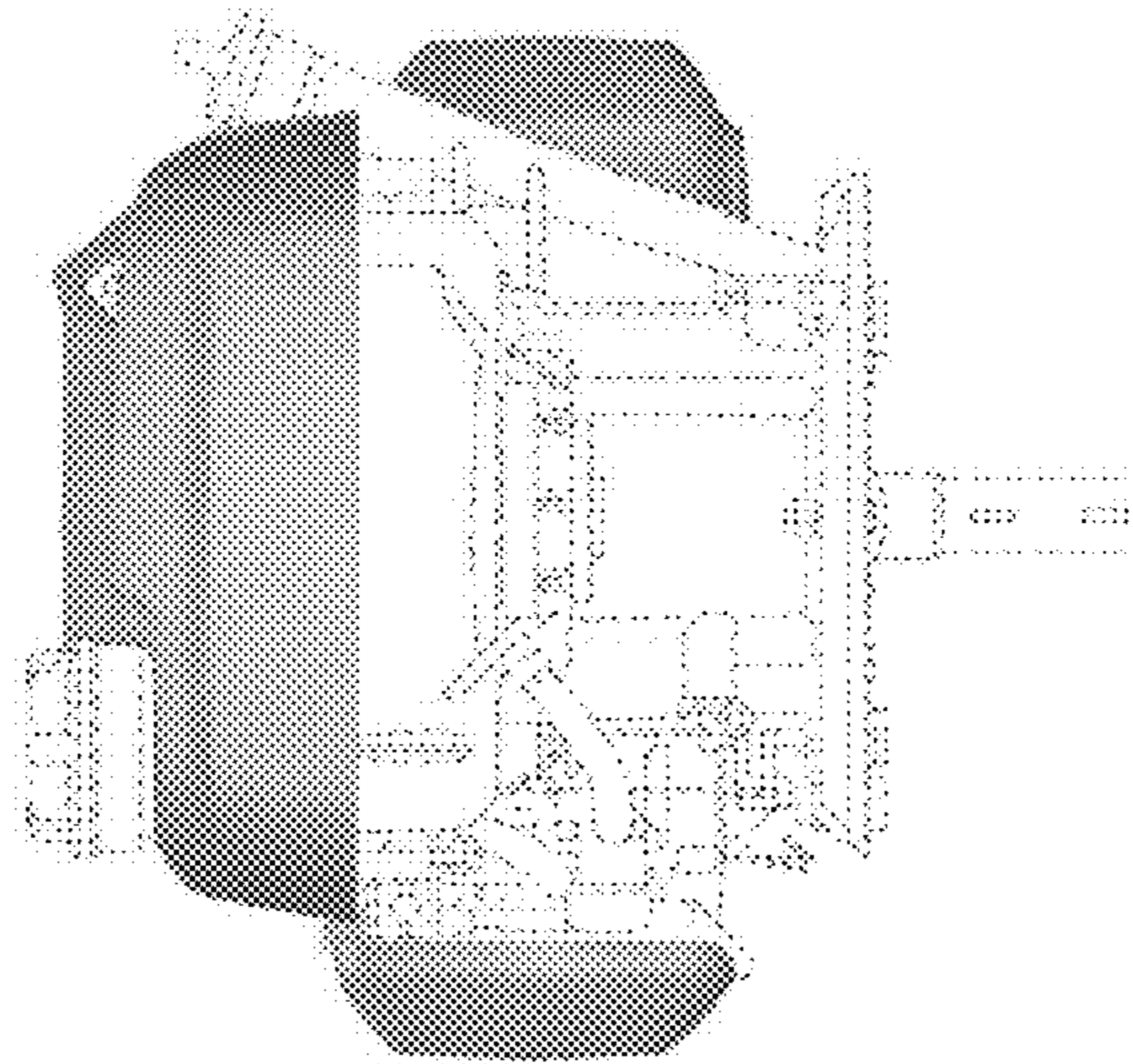


Fig. 6

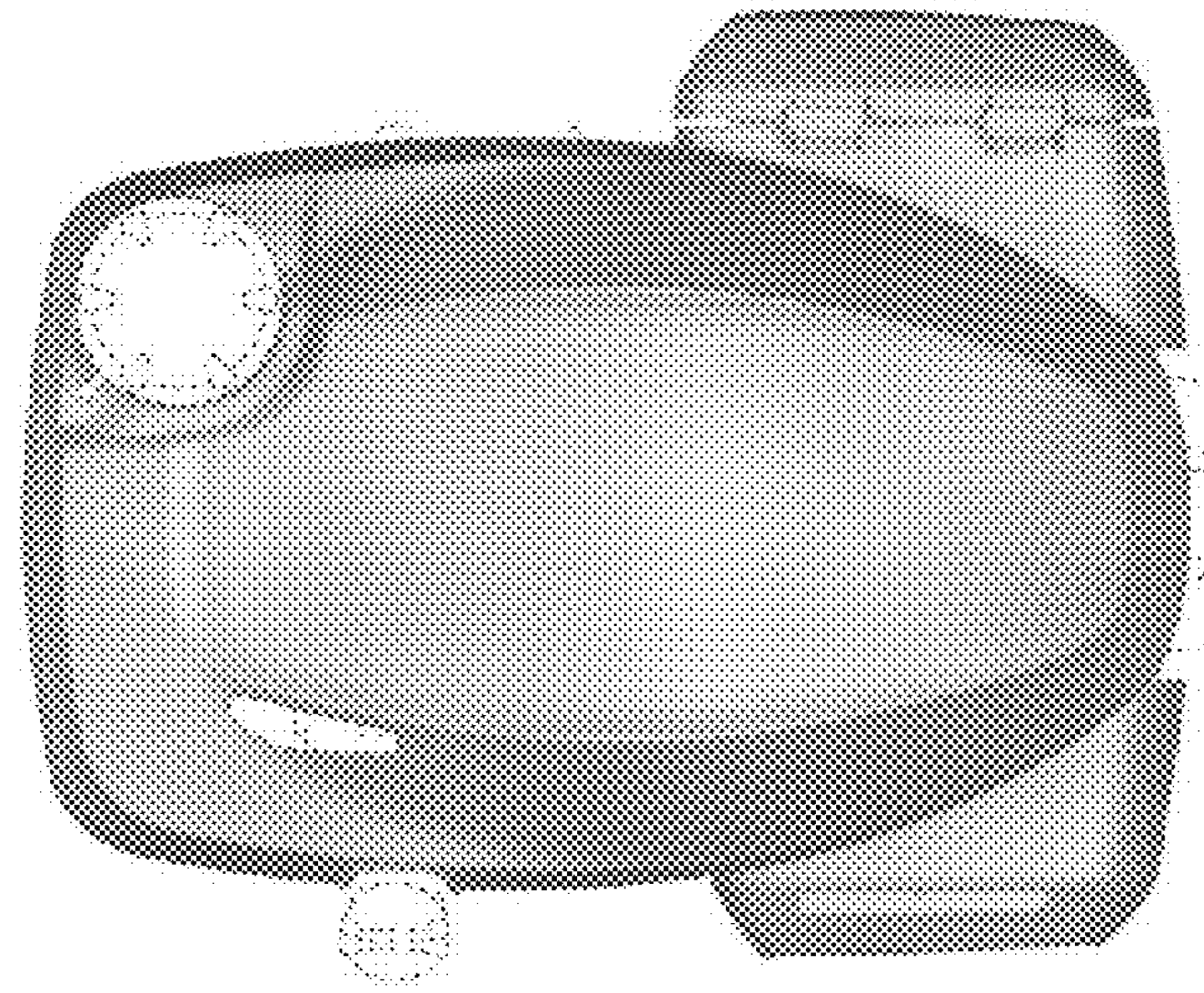


Fig. 7

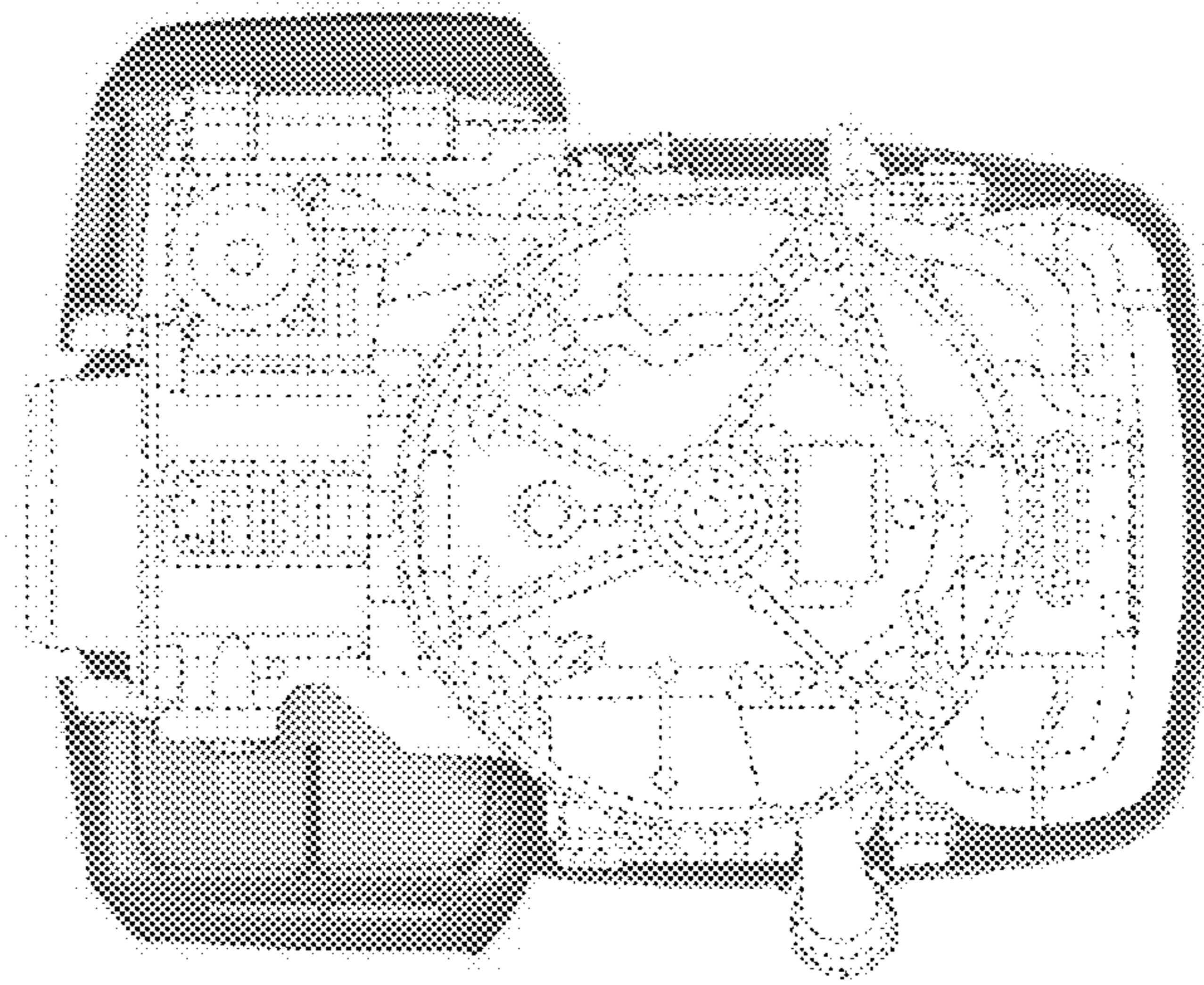
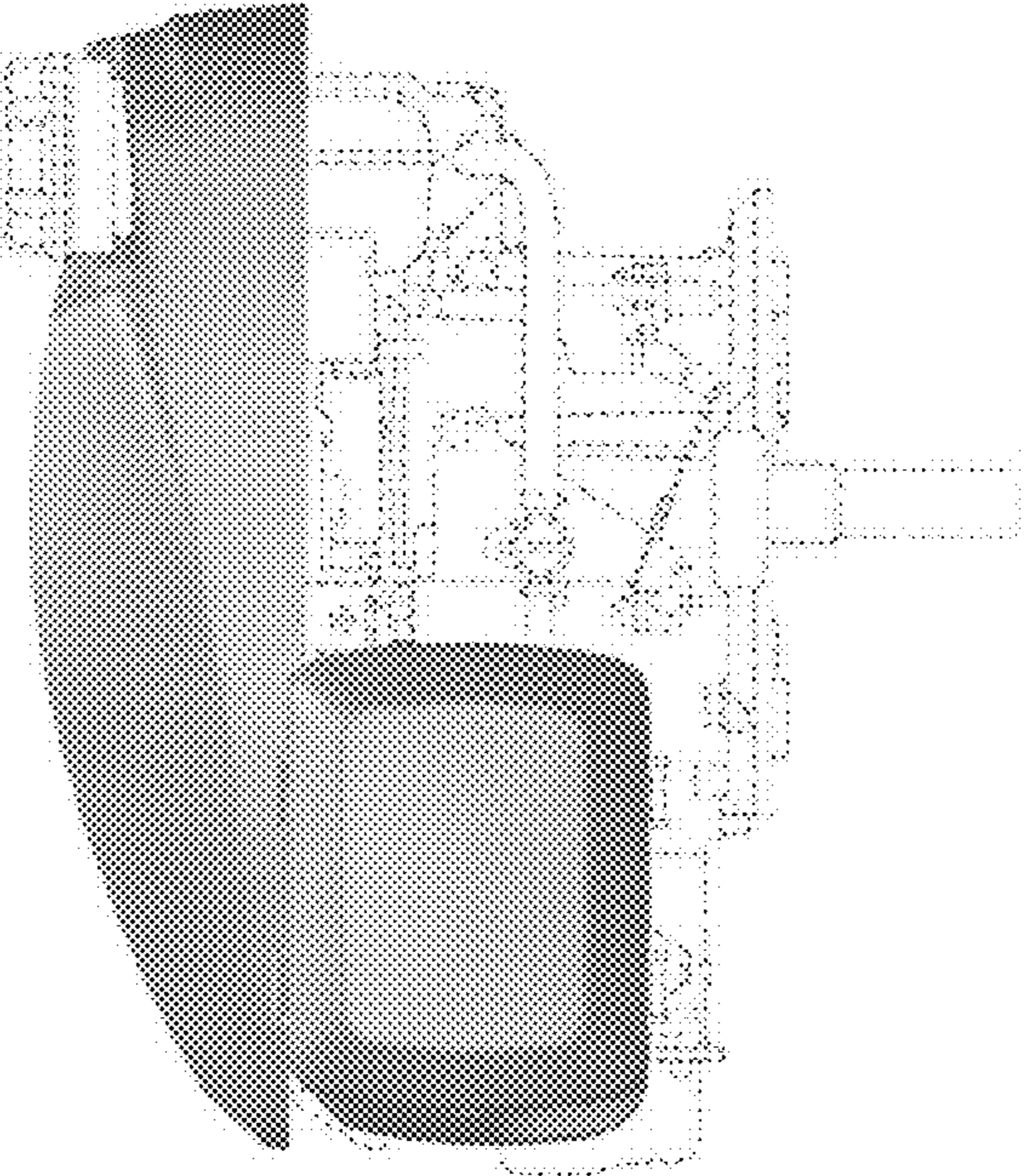


Fig. 8

Fig. 9



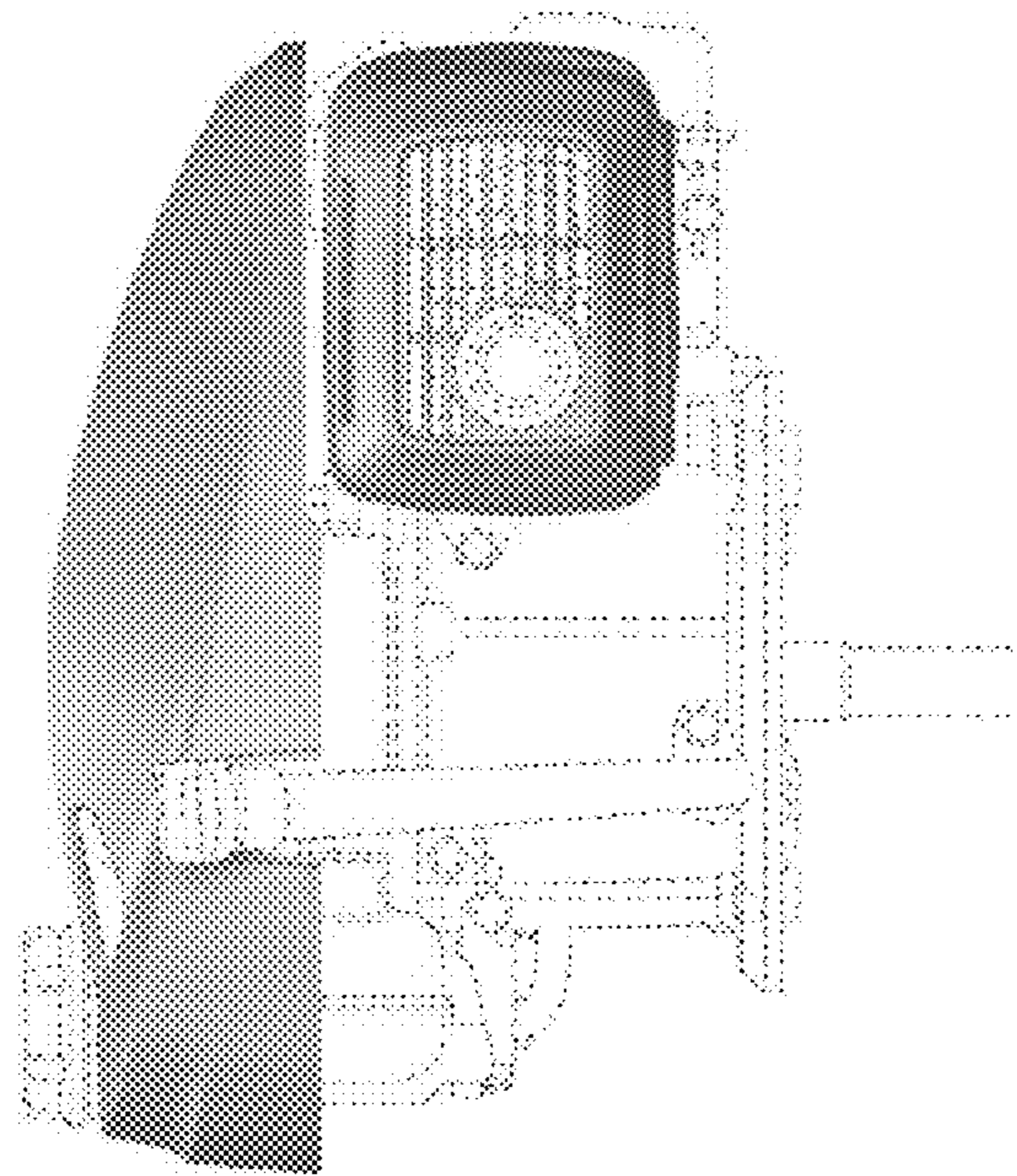


Fig. 10