



US00D858571S

(12) **United States Design Patent**
Jang et al.

(10) **Patent No.:** **US D858,571 S**

(45) **Date of Patent:** **** Sep. 3, 2019**

(54) **DISPLAY SCREEN OR PORTION THEREOF WITH TRANSITIONAL GRAPHICAL USER INTERFACE**

H04N 2005/4456; H04N 2005/44565;
H04N 2005/44569; H04N 2005/44573;
H04N 21/00; H04N 21/234; H04N
21/431; H04N 21/4312; H04N 21/4314;
H04N 21/4316

(71) Applicant: **Samsung Electronics Co., Ltd.**,
Suwon-si (KR)

See application file for complete search history.

(72) Inventors: **Hyeyoung Jang**, Goyan-si (KR);
Jungah Seung, Guri-si (KR); **Soyoung Yun**, Seoul (KR)

(56) **References Cited**

U.S. PATENT DOCUMENTS

(73) Assignee: **Samsung Electronics Co., Ltd.**,
Suwon-si (KR)

D674,405 S * 1/2013 Guastella D14/488
D677,275 S * 3/2013 Wujcik D14/487
(Continued)

(**) Term: **15 Years**

Primary Examiner — Cathron C Brooks

(21) Appl. No.: **29/639,178**

Assistant Examiner — Christian P. McLean

(22) Filed: **Mar. 5, 2018**

(74) *Attorney, Agent, or Firm* — NSIP Law

(30) **Foreign Application Priority Data**

(57) **CLAIM**

Jan. 4, 2018 (KR) 30-2018-0000700

We claim the ornamental design for a display screen or portion thereof with transitional graphical user interface, as shown and described.

(51) **LOC (12) Cl.** **14-04**

DESCRIPTION

(52) **U.S. Cl.**

USPC **D14/489**

(58) **Field of Classification Search**

USPC D14/485–495; 345/1.1, 1.2, 2.1–2.3, 3.1,
345/902; 715/763, 810, 836, 837, 846,
715/847, 977

FIG. 1 is a first image in a sequence for a display screen or portion thereof with transitional graphical user interface showing our new design;

FIG. 2 is a second image thereof; and,

FIG. 3 is a third image thereof.

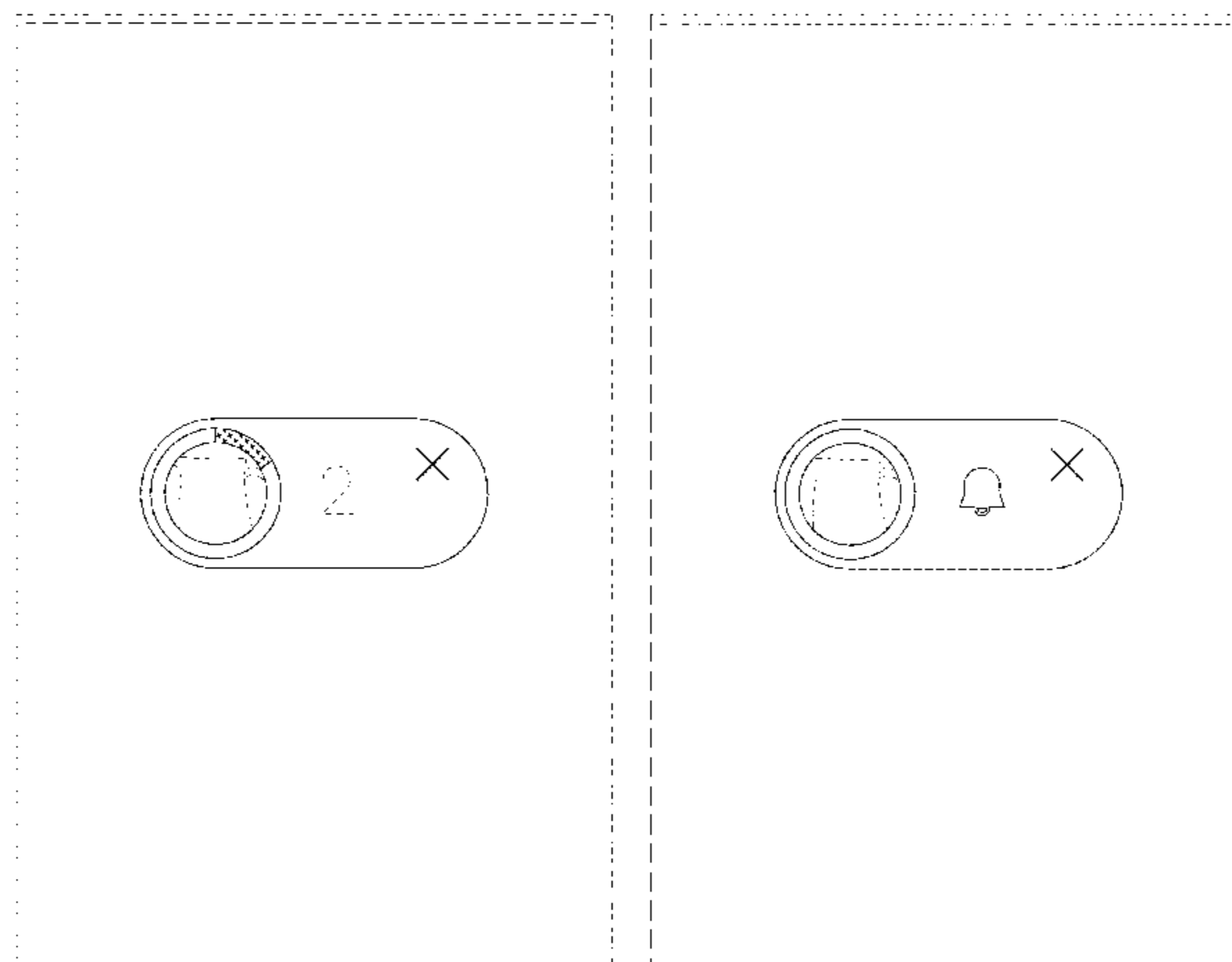
CPC G06F 3/048; G06F 3/0481; G06F 3/04812;
G06F 3/04817; G06F 3/0482; G06F
3/0483; G06F 3/0484; G06F 3/04847;
G06F 3/0485; G06F 3/04855; G06F
3/04886; G06Q 30/00; H03J 1/00; H03J
1/0008; H03J 1/0016; H03J 1/0025;
H04N 5/00; H04N 5/08; H04N 5/14;
H04N 5/222; H04N 5/225; H04N 5/232;
H04N 5/445; H04N 5/44543; H04N 5/45;
H04N 2005/44517; H04N 2005/44521;
H04N 2005/44526; H04N 2005/4453;
H04N 2005/44534; H04N 2005/44539;
H04N 2005/44547; H04N 2005/44556;

The broken lines in the figures depict portions of the graphical user interface that form no part of the claimed design. The outermost broken line showing of the display screen or portion thereof is for environmental purposes only and forms no part of the claimed design.

The appearance of the graphical user interface sequentially transitions between the images shown in FIGS. 1-3. The process or period in which one image transitions to another forms no part of the claimed design.

The graytones shown in the drawing figures illustrate areas of contrasting appearance.

1 Claim, 3 Drawing Sheets



(56)

References Cited

U.S. PATENT DOCUMENTS

D738,913	S	*	9/2015	Cabrera-Cordon	D14/491
D741,898	S	*	10/2015	Soegiono	D14/488
D750,125	S	*	2/2016	Yang	D14/488
D771,116	S	*	11/2016	Dellinger	D14/486
D775,151	S	*	12/2016	Dellinger	D14/485
D776,717	S	*	1/2017	Asai	D14/494
D785,658	S	*	5/2017	Moroney	D14/486
D786,278	S	*	5/2017	Motamedi	D14/485
D794,057	S	*	8/2017	Ekstrand	D14/486
D795,927	S	*	8/2017	Bischoff	D14/488
D808,983	S	*	1/2018	Narinedhat	D14/485
D821,410	S	*	6/2018	Vinna	D14/485
D825,608	S	*	8/2018	Andrizzi	D14/487
D825,609	S	*	8/2018	Andrizzi	D14/487
D826,240	S	*	8/2018	Andrizzi	D14/485
D826,255	S	*	8/2018	Andrizzi	D14/487
D831,049	S	*	10/2018	Agarwal	D14/486
D831,069	S	*	10/2018	Clapper	D14/489
D837,807	S	*	1/2019	Baber	D14/485
D840,423	S	*	2/2019	Narinedhat	D14/486
D841,021	S	*	2/2019	Klar	D14/485
D843,392	S	*	3/2019	Timmer	D14/485
2012/0096383	A1	*	4/2012	Sakamoto	G06F 9/451 715/772
2015/0106726	A1	*	4/2015	Nagasaki	G06F 3/04842 715/739

* cited by examiner

FIG. 1

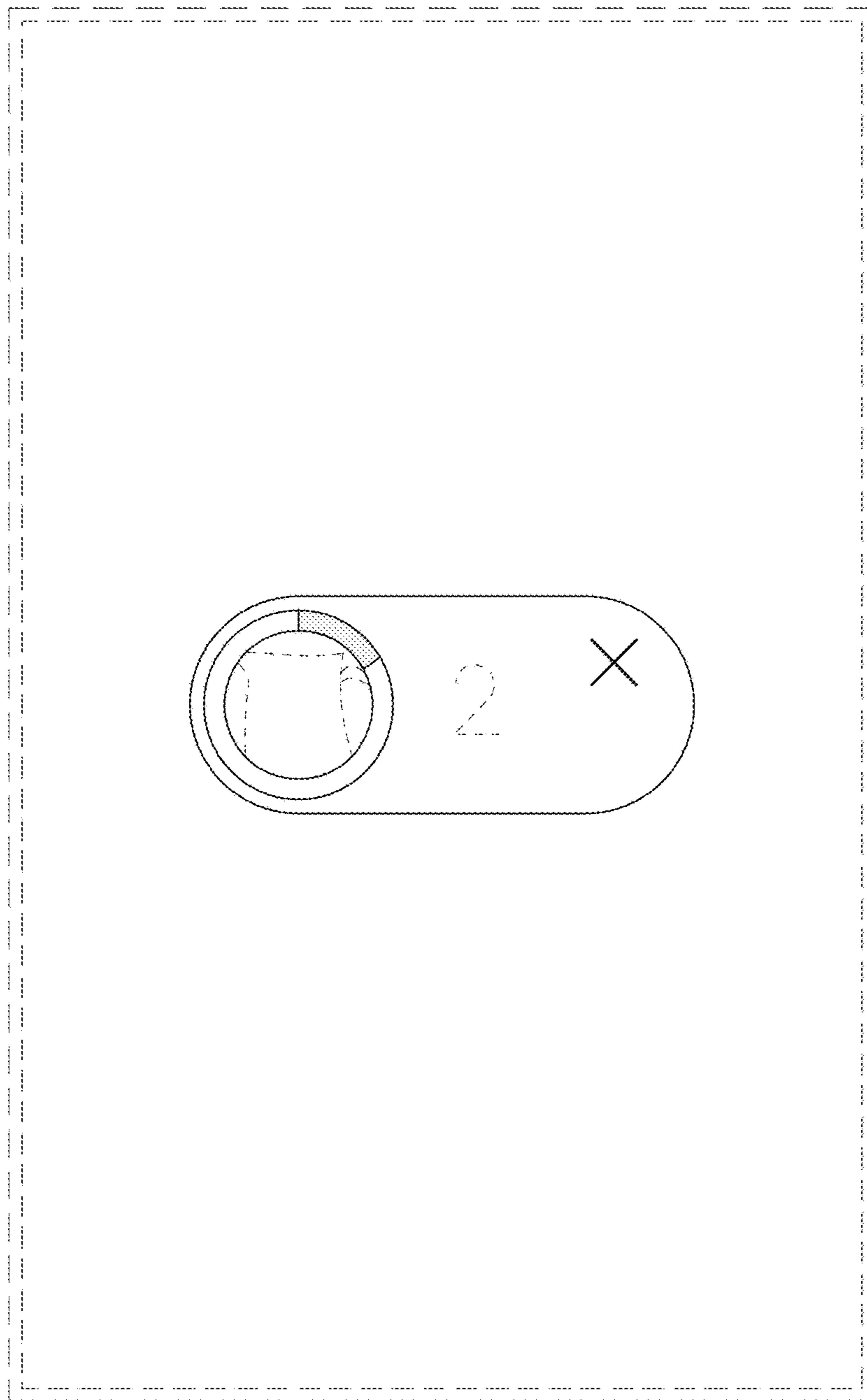


FIG. 2

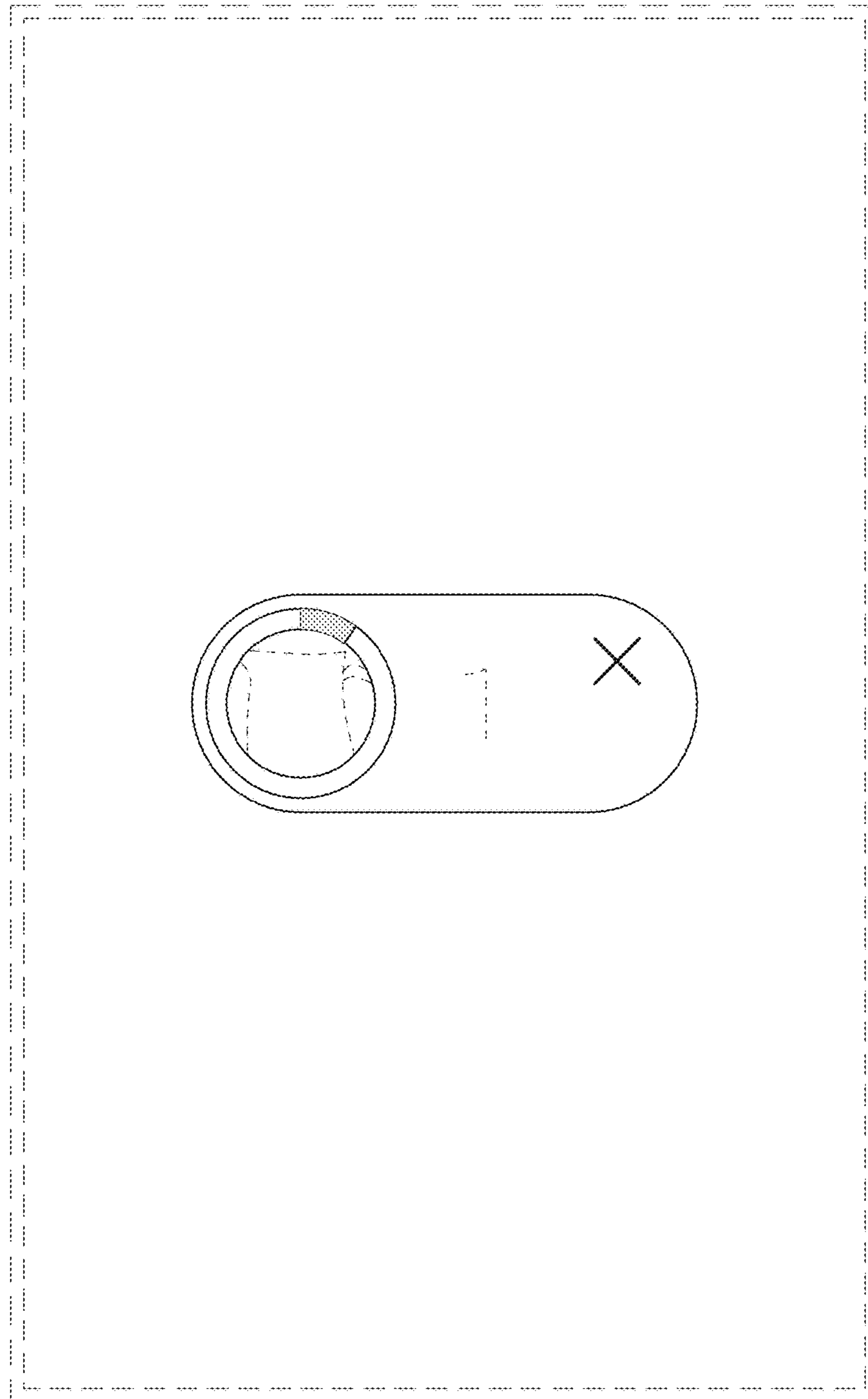


FIG. 3

