



US00D858558S

(12) **United States Design Patent** (10) **Patent No.:** **US D858,558 S**  
**Sabatelli et al.** (45) **Date of Patent:** **\*\* Sep. 3, 2019**

(54) **DISPLAY SCREEN OR PORTION THEREOF WITH GRAPHICAL USER INTERFACE**

- (71) Applicant: **Apple Inc.**, Cupertino, CA (US)
- (72) Inventors: **Alessandro Francesco Sabatelli**, San Francisco, CA (US); **Brian Andrew Schmitt**, San Francisco, CA (US)
- (73) Assignee: **Apple Inc.**, Cupertino, CA (US)
- (\*\*) Term: **15 Years**
- (21) Appl. No.: **29/673,674**
- (22) Filed: **Dec. 17, 2018**

**Related U.S. Application Data**

- (63) Continuation of application No. 29/650,057, filed on Jun. 4, 2018, now Pat. No. Des. 836,127, which is a continuation of application No. 29/606,509, filed on Jun. 5, 2017, now Pat. No. Des. 819,677, which is a continuation of application No. 29/574,745, filed on Aug. 18, 2016, now Pat. No. Des. 788,794, which is a continuation of application No. 29/540,522, filed on Sep. 25, 2015, now Pat. No. Des. 764,549, which is a continuation of application No. 29/457,320, filed on Jun. 9, 2013, now Pat. No. Des. 755,240.
- (51) **LOC (12) Cl.** ..... **14-04**
- (52) **U.S. Cl.**  
USPC ..... **D14/486**
- (58) **Field of Classification Search**  
USPC .... D14/485-495; D5/20, 26, 30, 40, 63-65; D20/10, 11, 22-33, 39, 40  
CPC . G06F 3/048-04897; G01C 9/00; G01C 9/06; G01C 9/32; G01C 15/00; G01C 21/10; G01C 21/20; A63B 2220/18; A63B 2220/40

See application file for complete search history.

(56) **References Cited**

U.S. PATENT DOCUMENTS

D425,499 S	5/2000	Millington	
D559,258 S *	1/2008	Kita	D14/485
D615,989 S	5/2010	Chaudhri	
D625,733 S	10/2010	Anzures	
D683,345 S	5/2013	Akana et al.	

(Continued)

OTHER PUBLICATIONS

Smartphone App, by Mark7081, hiluxsurf.co.uk [online], published on Jan. 19, 2013, [retrieved on Apr. 6, 2019], retrieved from the Internet <URL: <https://hiluxsurf.co.uk/forum/hilux-surf-forums-general-interest-chitchat/general/80482-smartphone-app>> (Year: 2013).\*

(Continued)

*Primary Examiner* — Cathron C Brooks

*Assistant Examiner* — Ian F Whitmore

(74) *Attorney, Agent, or Firm* — Sterne, Kessler, Goldstein & Fox P.L.L.C.

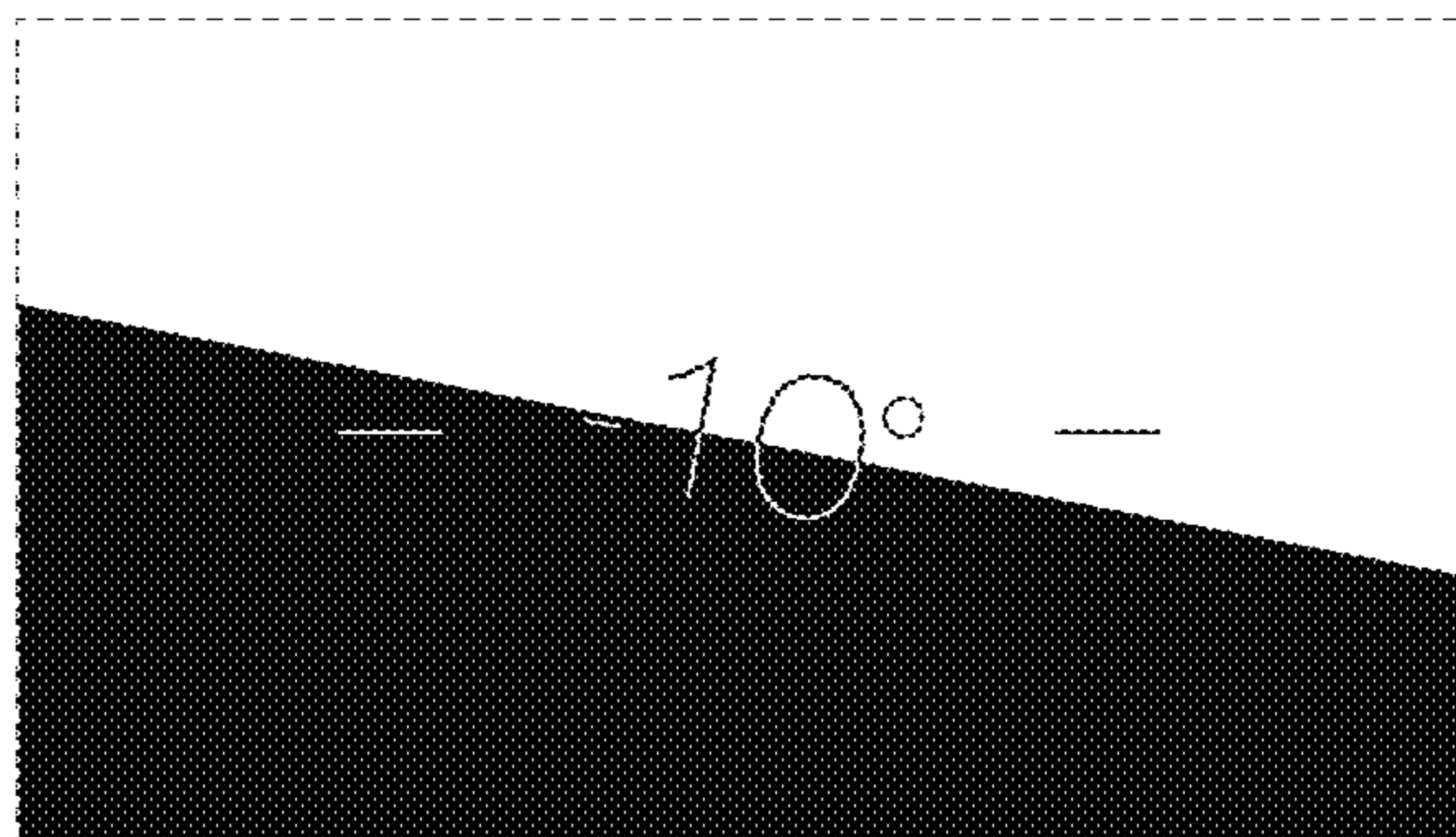
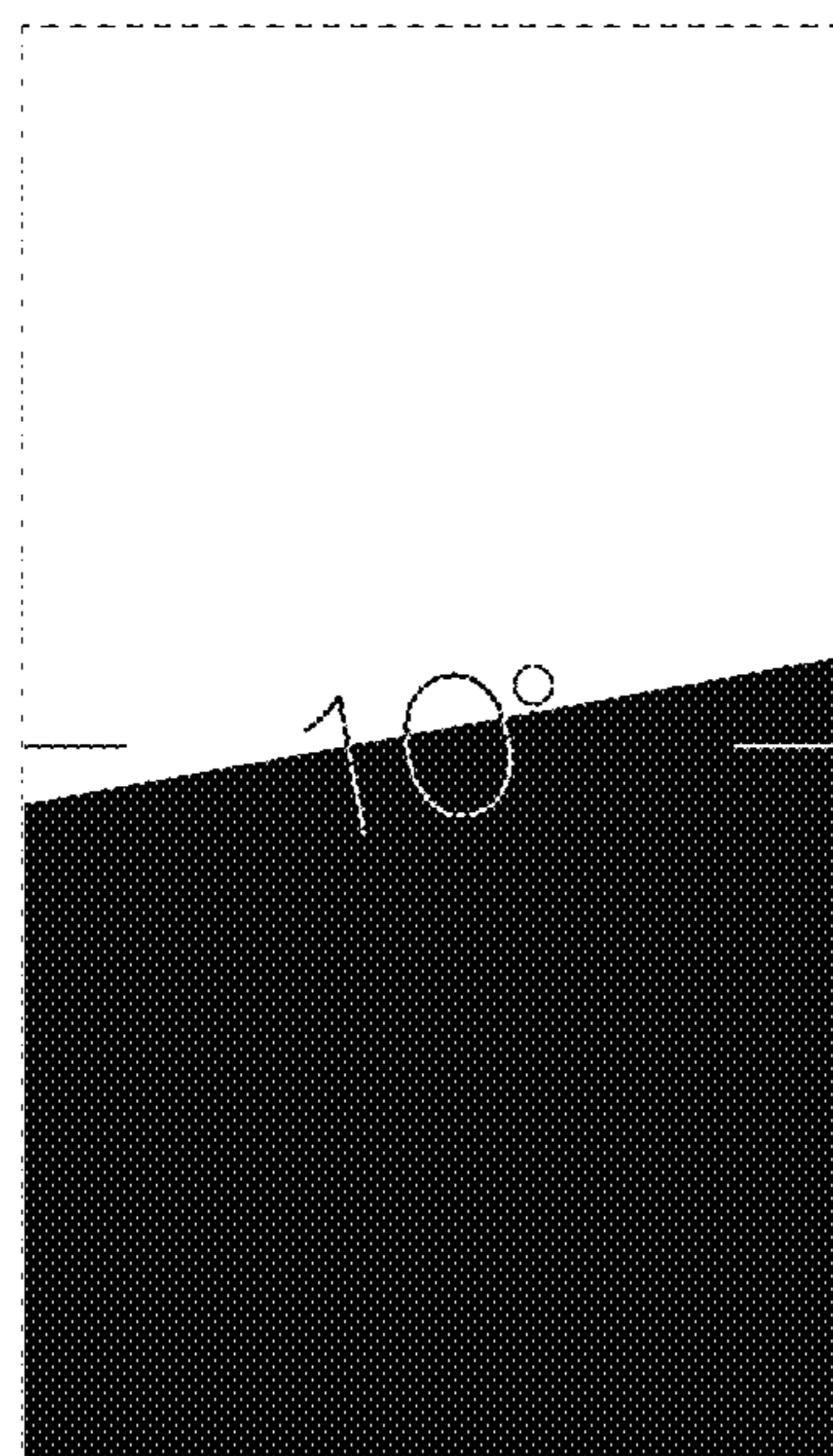
(57) **CLAIM**

The ornamental design for a display screen or portion thereof with graphical user interface, as shown and described.

**DESCRIPTION**

FIG. 1 is a front view of a display screen or portion thereof with graphical user interface showing the claimed design; FIG. 2 is a second embodiment thereof; FIG. 3 is a third embodiment thereof; and, FIG. 4 is a fourth embodiment thereof. The broken lines in the figures show a display screen or portion thereof, and form no part of the claimed design.

**1 Claim, 2 Drawing Sheets**



(56)

References Cited

U.S. PATENT DOCUMENTS

D712,422 S \* 9/2014 Anzures ..... D14/486  
 D712,432 S 9/2014 Chaudhri  
 D715,816 S \* 10/2014 Jou ..... D14/486  
 D729,820 S \* 5/2015 Yamasaki ..... D14/485  
 D736,792 S \* 8/2015 Brinda ..... D14/485  
 D750,130 S 2/2016 Baumann  
 D755,240 S 5/2016 Cavander et al.  
 D762,223 S 7/2016 Ruiz et al.  
 D763,894 S 8/2016 Lamparelli  
 D764,516 S 8/2016 Lamparelli  
 D768,644 S \* 10/2016 Miyakawa ..... D14/485  
 D770,474 S \* 11/2016 Loosli ..... D14/485  
 D771,127 S 11/2016 Akana et al.  
 D775,183 S \* 12/2016 Liu ..... D14/486  
 D777,198 S \* 1/2017 Capela ..... D14/486  
 D784,364 S \* 4/2017 Moriya ..... D14/485  
 D784,371 S \* 4/2017 Loosli ..... D14/485  
 D788,794 S 6/2017 Sabatelli et al.  
 D797,125 S \* 9/2017 Lee ..... D14/485  
 D807,903 S \* 1/2018 Kim ..... D14/486  
 D814,479 S \* 4/2018 Kim ..... D14/485  
 D819,677 S 6/2018 Sabatelli et al.  
 D836,127 S 12/2018 Sabatelli et al.  
 D837,812 S \* 1/2019 Kim ..... D14/486  
 D837,824 S \* 1/2019 Itano ..... D14/488  
 D839,294 S \* 1/2019 Mazlish ..... D14/486  
 D843,408 S \* 3/2019 Krainer ..... D14/486  
 2015/0355786 A1 \* 12/2015 Sabatelli ..... G06F 3/0481  
 715/798  
 2016/0245654 A1 \* 8/2016 Gaultier ..... G01C 23/005

OTHER PUBLICATIONS

The Seven Best Ski Apps for 2012, by Vicky, ski-i.com [online], published on Feb. 3, 2012, [retrieved on Apr. 6, 2019], retrieved from the Internet <URL:https://www.ski-i.com/blog/the-7-best-ski-apps-for-2012/> (Year: 2012).\*

Advanced Level and Inclinator, catachapp.net [online], published on or before Nov. 25, 2010, [retrieved on Apr. 5, 2019], retrieved from the Internet <URL: http://catchapp.net/item/detail/288338285> (Year: 2010).\*

Mode Confusion, Timidity Factors, by Evans, iasa.com.au [online], published on or before Sep. 17, 2007, [retrieved on Apr. 6, 2019], retrieved from the Internet <URL: http://www.iasa.com.au/folders/Safety\_Issues/dfdr-cvr/avionics-flashair.html?AID=/20060128/NEWS01/601280501> (Year: 2007).\*

Elbow Measurements Video, by HALO Medical Devices, YouTube [online], published on Mar. 15, 2013, [retrieved on Apr. 6, 2019], retrieved from the Internet <URL: https://www.youtube.com/watch?v=7QONWT0S7ol> (Year: 2013).\*

Measure Level and Slope with Great Accuracy with iPhone, by Bidsar, appstouse.com [online], published on Aug. 22, 2011, [retrieved on Apr. 6, 2019], retrieved from the Internet <URL: http://appstouse.com/measure-level-and-slope-with-great-accuracy-with-iphone/762> (Year: 2011).\*

Avionics for Experimental Aircraft, avionics.sourceforge.net [online], released on Jun. 27, 2003, [retrieved on Apr. 6, 2019], retrieved from the Internet <URL: http://avionics.sourceforge.net/screenshots.html> (Year: 2003).\*

\* cited by examiner

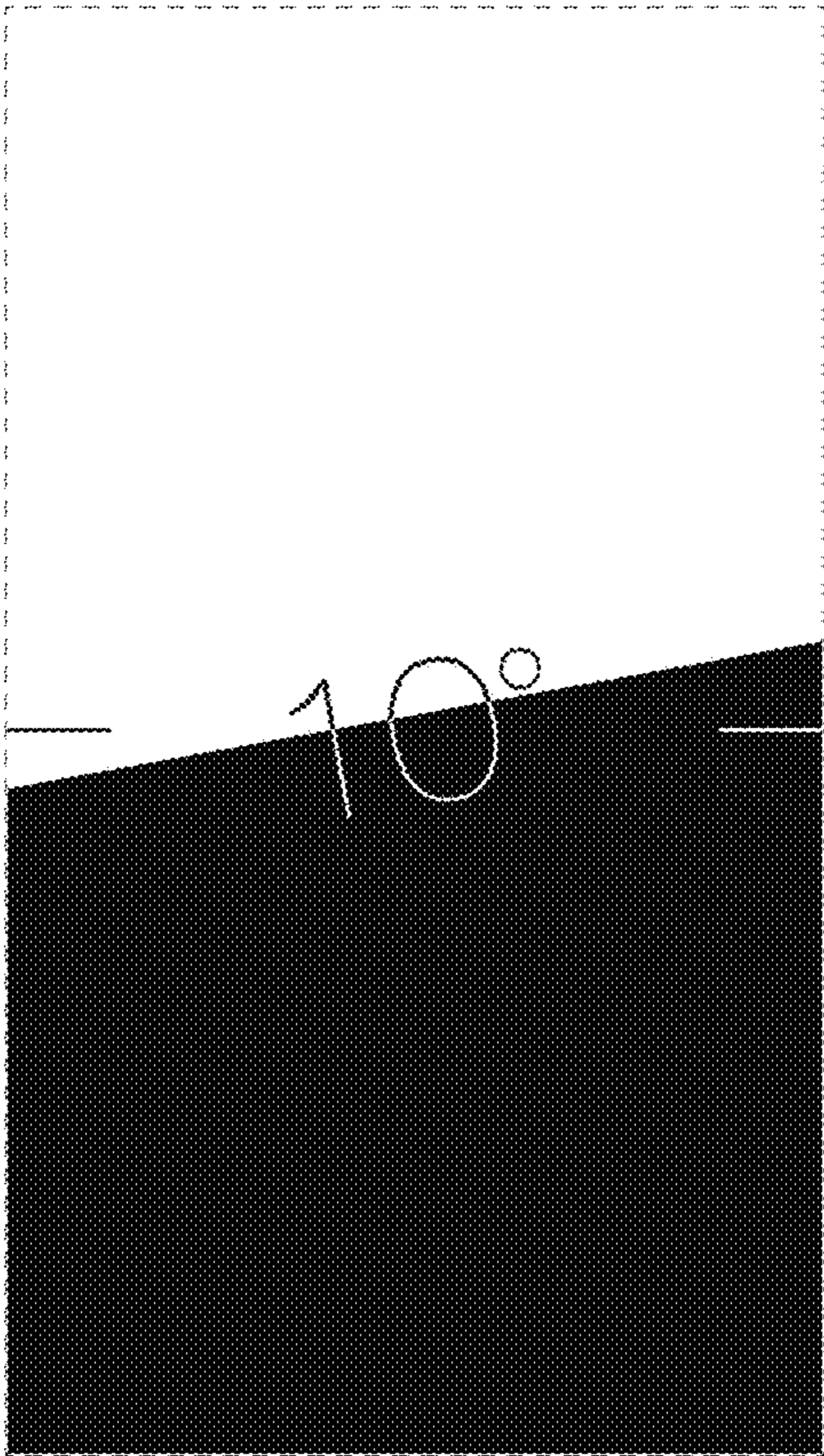


FIG. 1

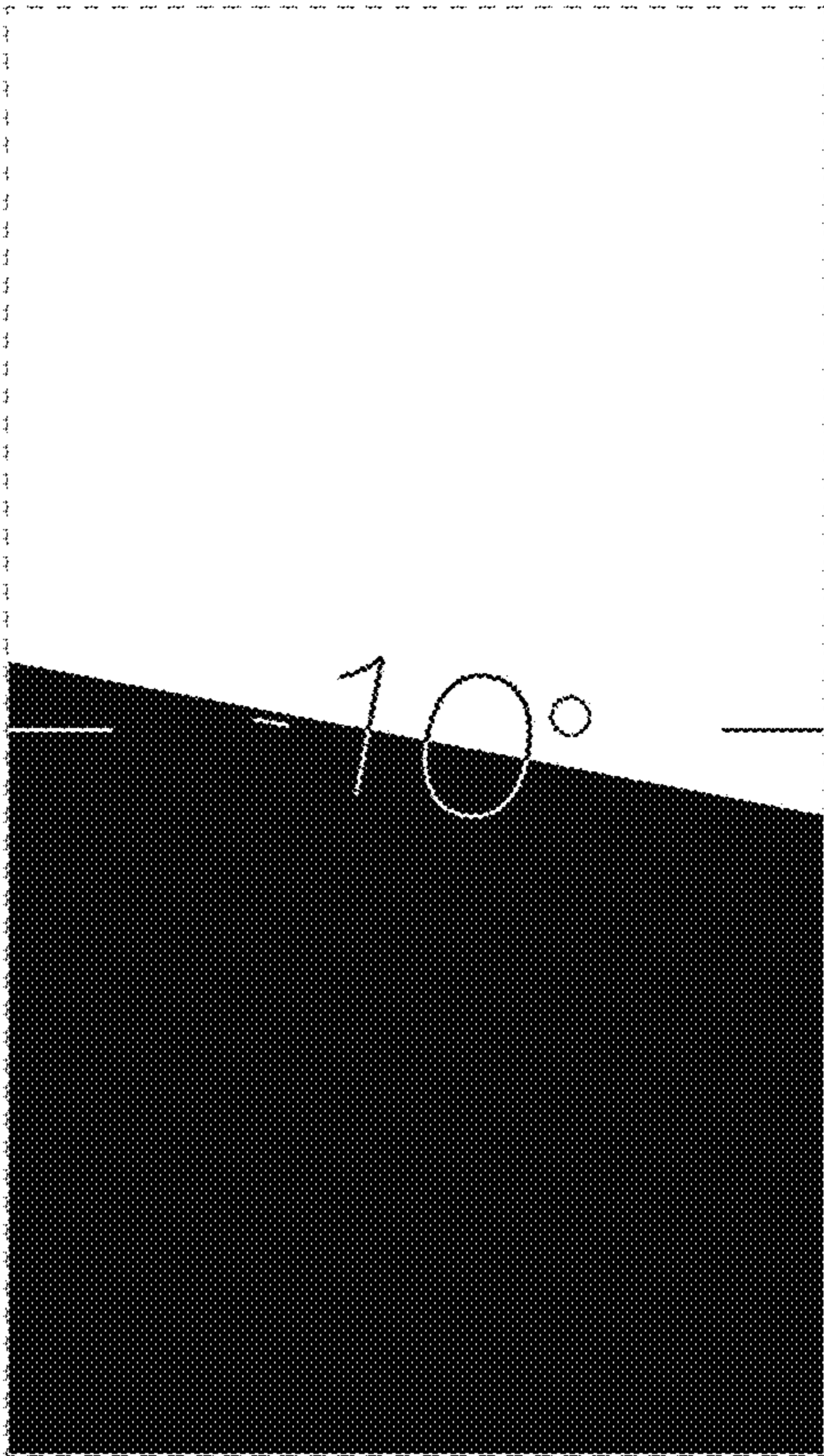


FIG. 2

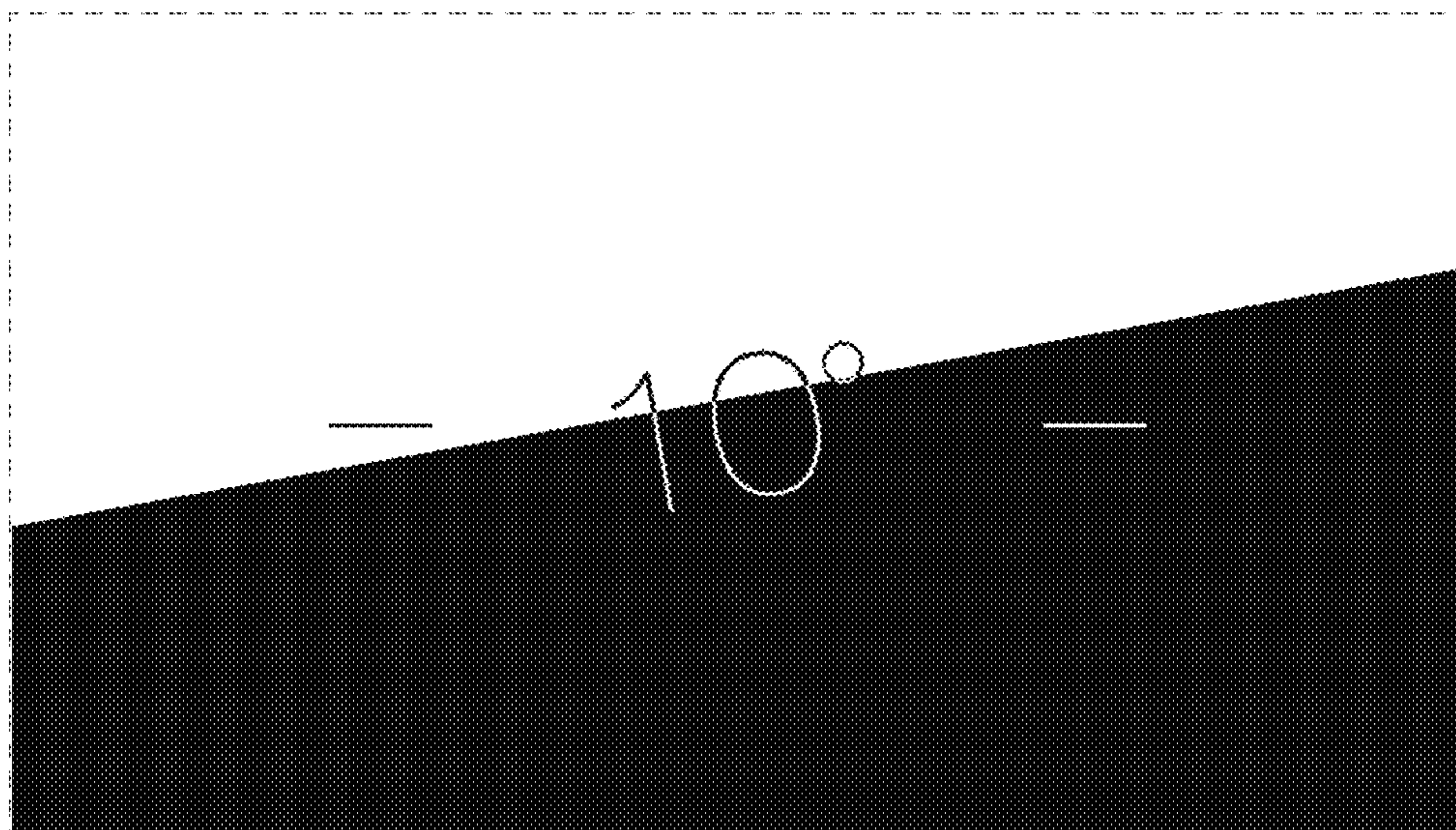


FIG. 3

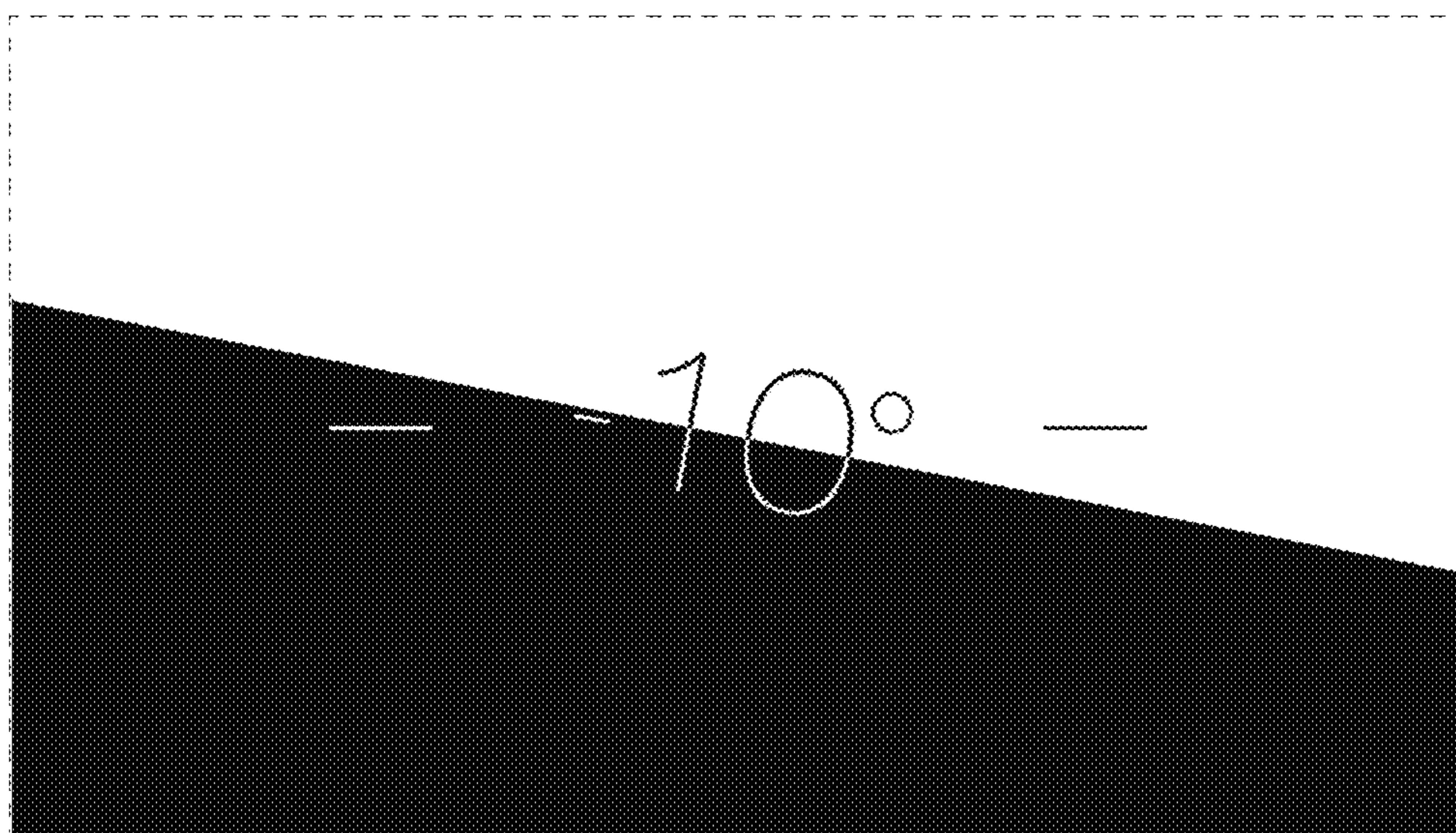


FIG. 4