



US00D858549S

(12) **United States Design Patent** (10) **Patent No.:** **US D858,549 S**
Crandall et al. (45) **Date of Patent:** **** *Sep. 3, 2019**

(54) **DISPLAY SCREEN PORTION WITH GRAPHICAL USER INTERFACE**

(56) **References Cited**

(71) Applicant: **Waymo LLC**, Mountain View, CA (US)

(72) Inventors: **Peter Crandall**, San Jose, CA (US); **Matthew Corey Hall**, San Jose, CA (US); **Maria Moon**, Mountain View, CA (US); **Ryan Powell**, San Francisco, CA (US)

(73) Assignee: **Waymo LLC**, Mountain View, CA (US)

U.S. PATENT DOCUMENTS

D415,483 S * 10/1999 Decker D14/486
D420,993 S * 2/2000 Decker D14/486
D423,484 S * 4/2000 Dangelmaier D14/485

(Continued)

Primary Examiner — Darlington Ly
Assistant Examiner — Katherine A Holbrow
(74) *Attorney, Agent, or Firm* — Botos Churchill IP Law

(*) Notice: This patent is subject to a terminal disclaimer.

(**) Term: **15 Years**

(21) Appl. No.: **29/623,813**

(22) Filed: **Oct. 27, 2017**

(51) **LOC (12) Cl.** **14-04**

(52) **U.S. Cl.**
USPC **D14/486**

(58) **Field of Classification Search**
USPC D14/485–495
CPC H04N 1/0044; H04N 1/00477; H04N 1/00196; H04N 21/478; G06F 3/0481; G06F 3/04817; G06F 3/0482; G06F 3/04847; G06F 3/0485; G06F 3/048; G06F 3/0488; G06F 17/30053; G06F 3/0489; G06F 15/0225; G06F 3/167; G06F 3/0484; G06F 19/34; G06F 19/3418; G06F 19/3406; G06F 2207/30004; G06F 2/0484; G10H 1/0008; G06T 2200/24; G06T 2007/30004; G05B 19/418; B60H 1/00; H04L 41/22; H04L 12/282; H04L 67/025; G11B 19/027; G11B 19/025; G11B 19/02; A61B 1/00045; A61B 5/02; A61B 8/46

See application file for complete search history.

(57) **CLAIM**

The ornamental design for a display screen portion with graphical user interface, as shown and described.

DESCRIPTION

The present application is related to U.S. Design patent application Ser. No. 29/623,844, U.S. Design patent application Ser. No. 29/623,815, U.S. Design patent application Ser. No. 29/623,820, U.S. Design patent application Ser. No. 29/623,826, and U.S. Design patent application Ser. No. 29/623,833, filed concurrently herewith, the entire disclosures of which are incorporated herein by reference.

FIG. 1 is a front view of a first embodiment of a display screen portion with graphical user interface, showing the new design;

FIG. 2 is a second embodiment thereof;

FIG. 3 is a third embodiment thereof;

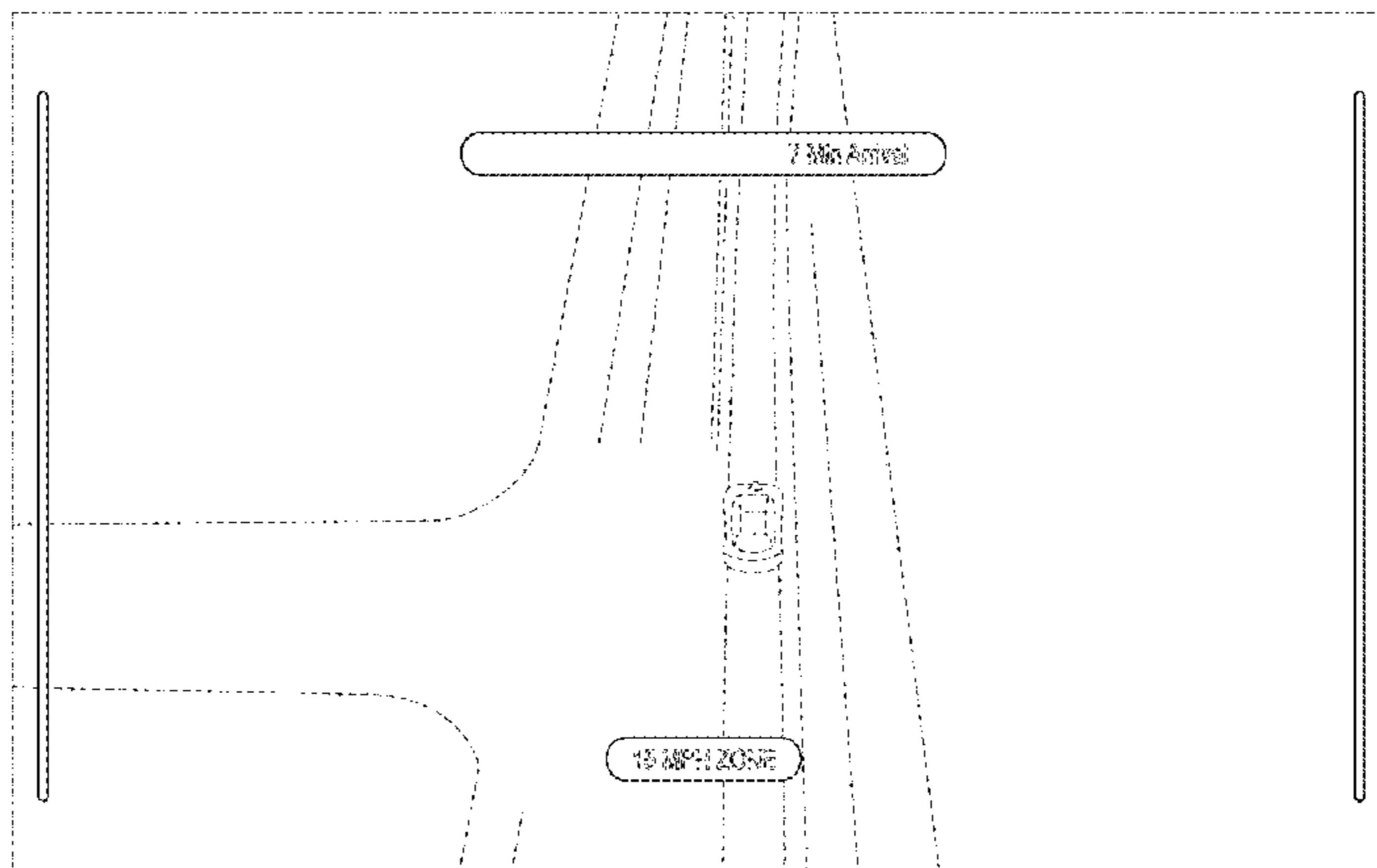
FIG. 4 is a fourth embodiment thereof; and,

FIG. 5 is a fifth embodiment thereof.

The dot-dash broken lines showing the display screen portion and all other broken lines showing portions of the graphical user interface are included for the purpose of illustrating portions of the article and form no part of the claimed design. In the figures, the perimeters of the portion of the underlying display screen and the graphical user interface are understood to be flush.

Shading depicts a contrast in appearance.

1 Claim, 5 Drawing Sheets



(56)

References Cited

U.S. PATENT DOCUMENTS

D425,497 S * 5/2000 Eisenberg D14/487
 D438,873 S * 3/2001 Wang D14/486
 D454,574 S * 3/2002 Wasko D14/487
 D468,749 S * 1/2003 Friedman D14/489
 D582,426 S * 12/2008 Chen D14/488
 D622,280 S * 8/2010 Tarara D14/485
 7,903,115 B2 * 3/2011 Platzner G06F 3/0485
 345/473
 8,112,718 B2 * 2/2012 Nezu G11B 19/025
 715/716
 D660,313 S * 5/2012 Williams D14/487
 8,595,649 B2 * 11/2013 Sherrard G06F 3/04817
 715/739
 D703,686 S * 4/2014 Nations D14/486
 D705,792 S * 5/2014 Nations D14/486
 D712,417 S * 9/2014 Nations D14/486
 D715,818 S * 10/2014 Nations D14/486
 9,160,828 B2 * 10/2015 Vance H04M 1/72583
 D743,432 S * 11/2015 Sergeev D14/487
 9,195,966 B2 * 11/2015 Vance G06Q 10/107

D747,325 S * 1/2016 Yoo G06F 3/04817
 D14/485
 D750,098 S * 2/2016 Song D14/485
 D753,685 S * 4/2016 Zimmerman D14/486
 D759,677 S * 6/2016 Oguntebi D14/485
 D759,698 S * 6/2016 Kirsch D14/487
 D761,815 S * 7/2016 Velasco D14/485
 D764,520 S * 8/2016 Lee D14/488
 D778,945 S * 2/2017 Aoyama D14/489
 D792,427 S * 7/2017 Weaver D14/485
 D798,309 S * 9/2017 Rickes D14/485
 D801,982 S * 11/2017 Dickerson D14/485
 D810,112 S * 2/2018 Hasjim D14/486
 D829,239 S * 9/2018 Rehman D14/487
 D831,053 S * 10/2018 Guo D14/486
 D842,331 S * 3/2019 Guo D14/488
 2007/0162850 A1 * 7/2007 Adler G06F 9/451
 715/700
 2009/0249400 A1 * 10/2009 Carlberg H04N 5/44543
 725/44
 2011/0294551 A1 * 12/2011 Forstall G06F 3/0482
 455/566
 2016/0110012 A1 * 4/2016 Yim G06F 1/1626
 345/173

* cited by examiner

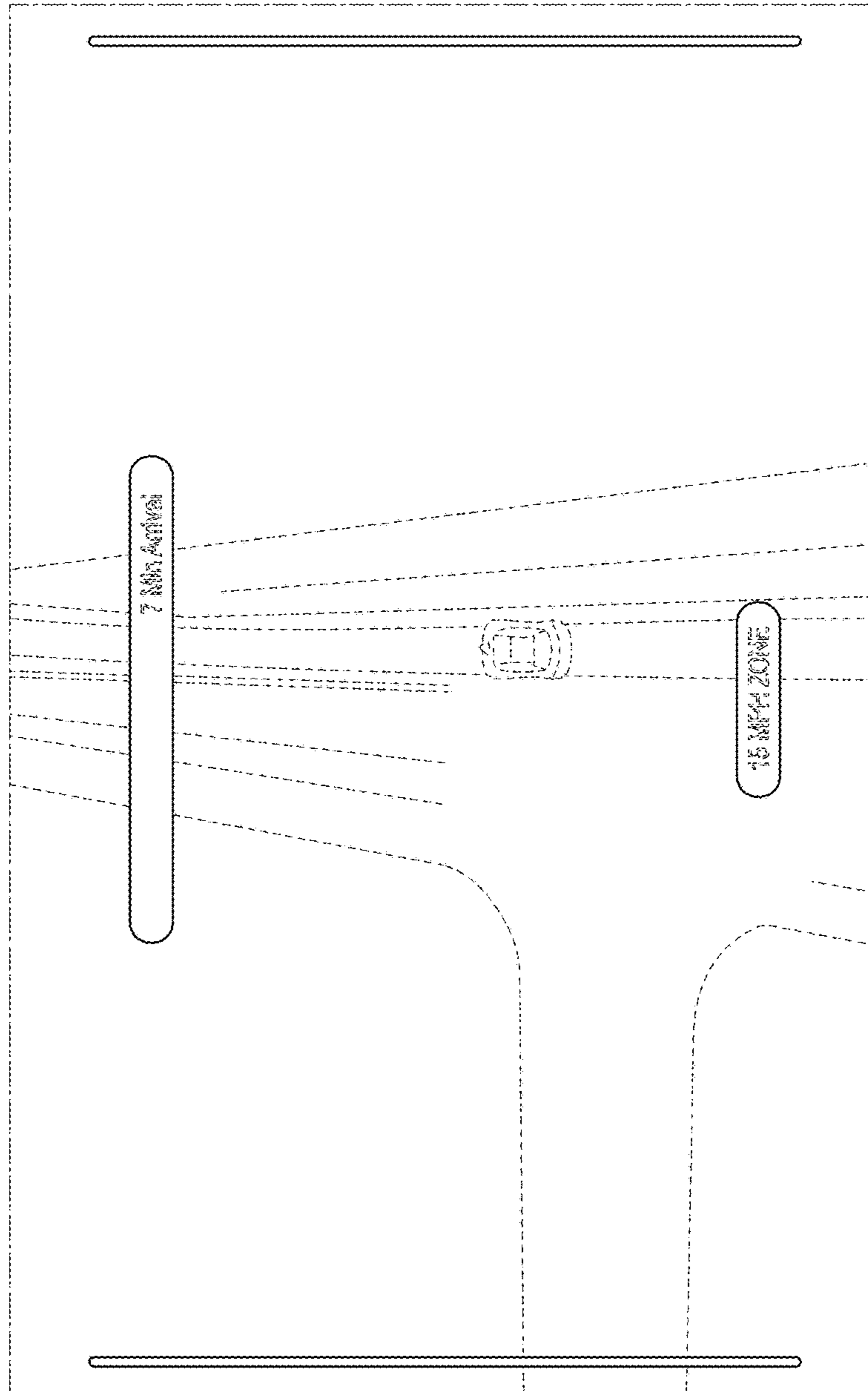


FIG. 1

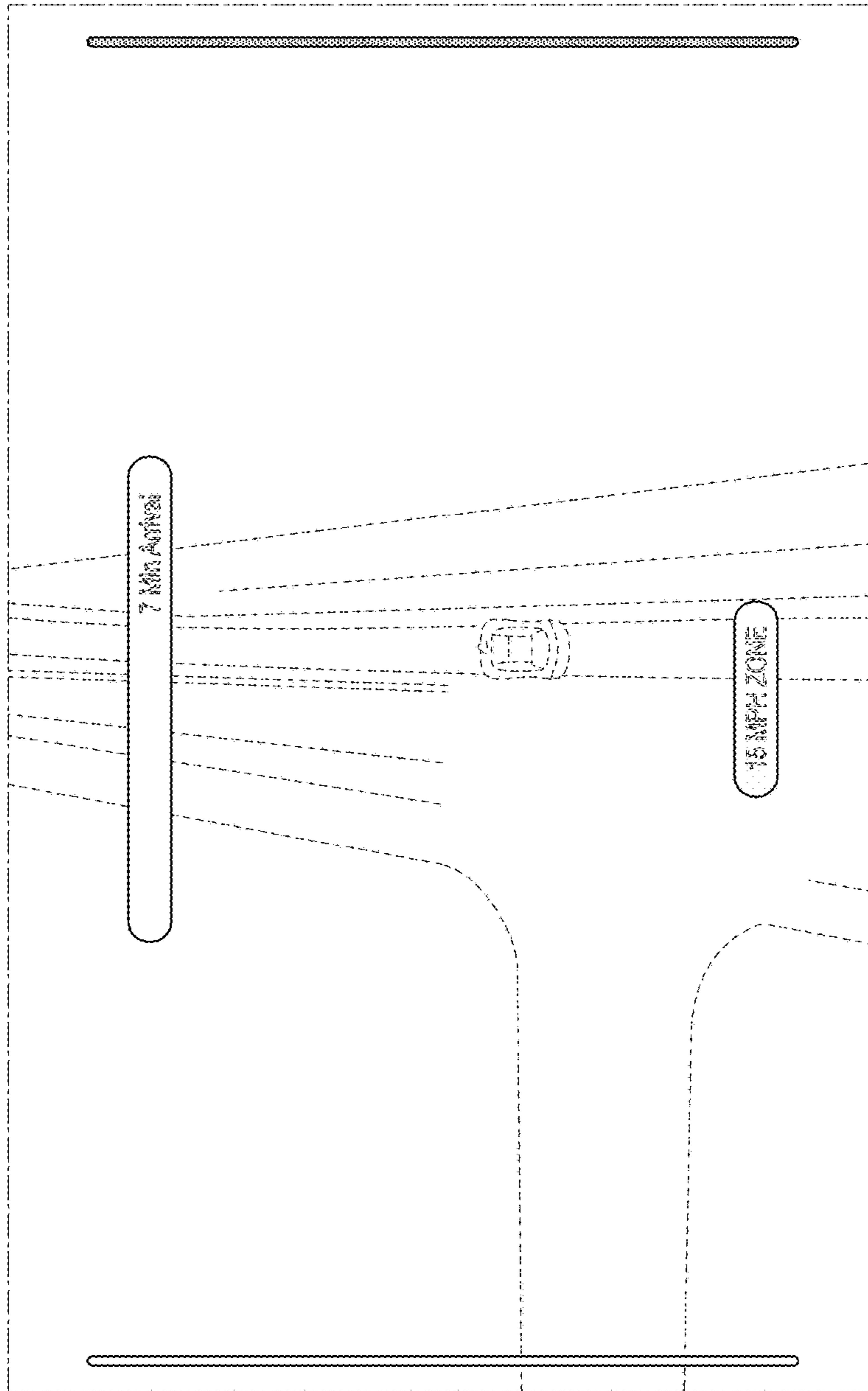


FIG. 2

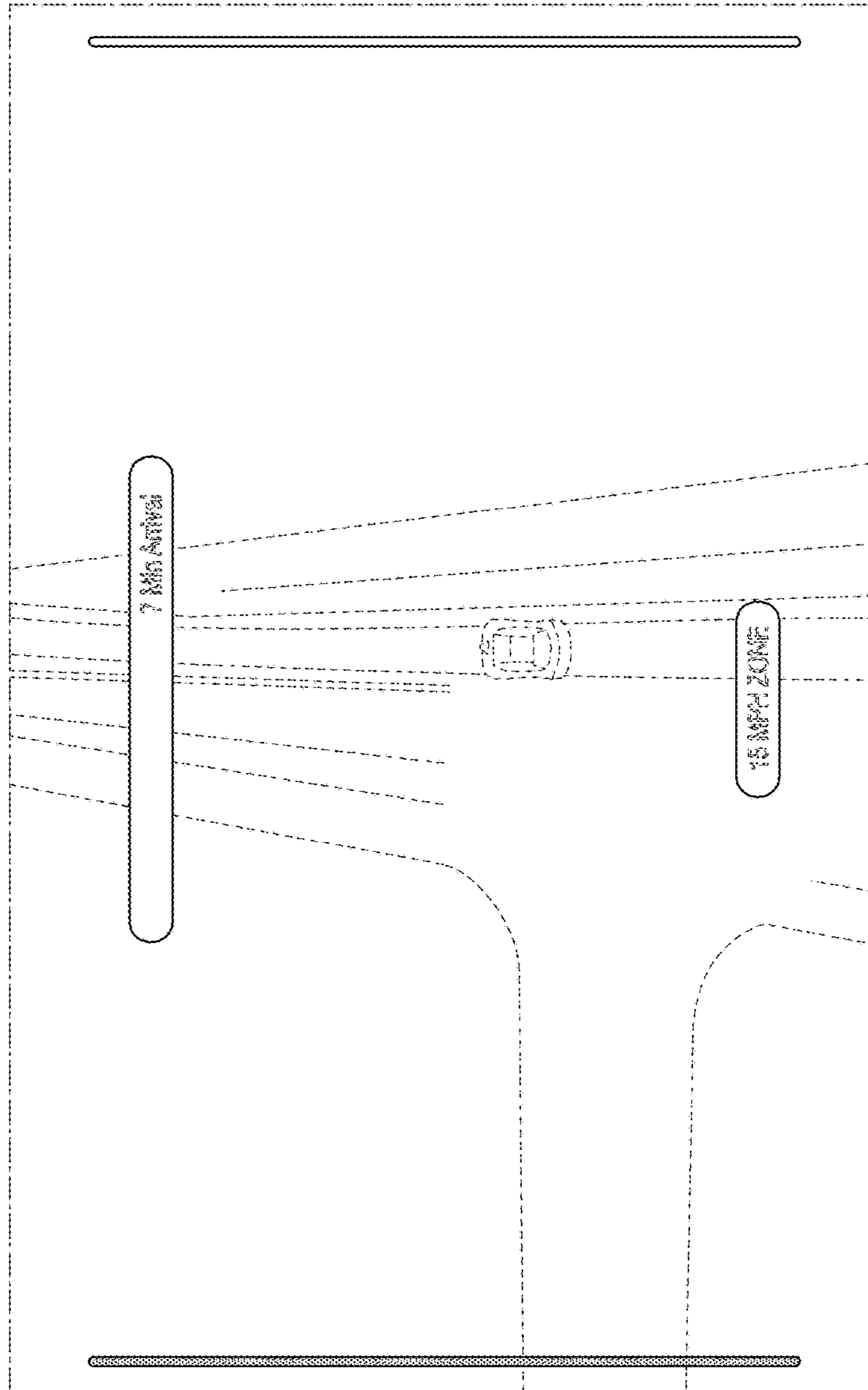


FIG. 3

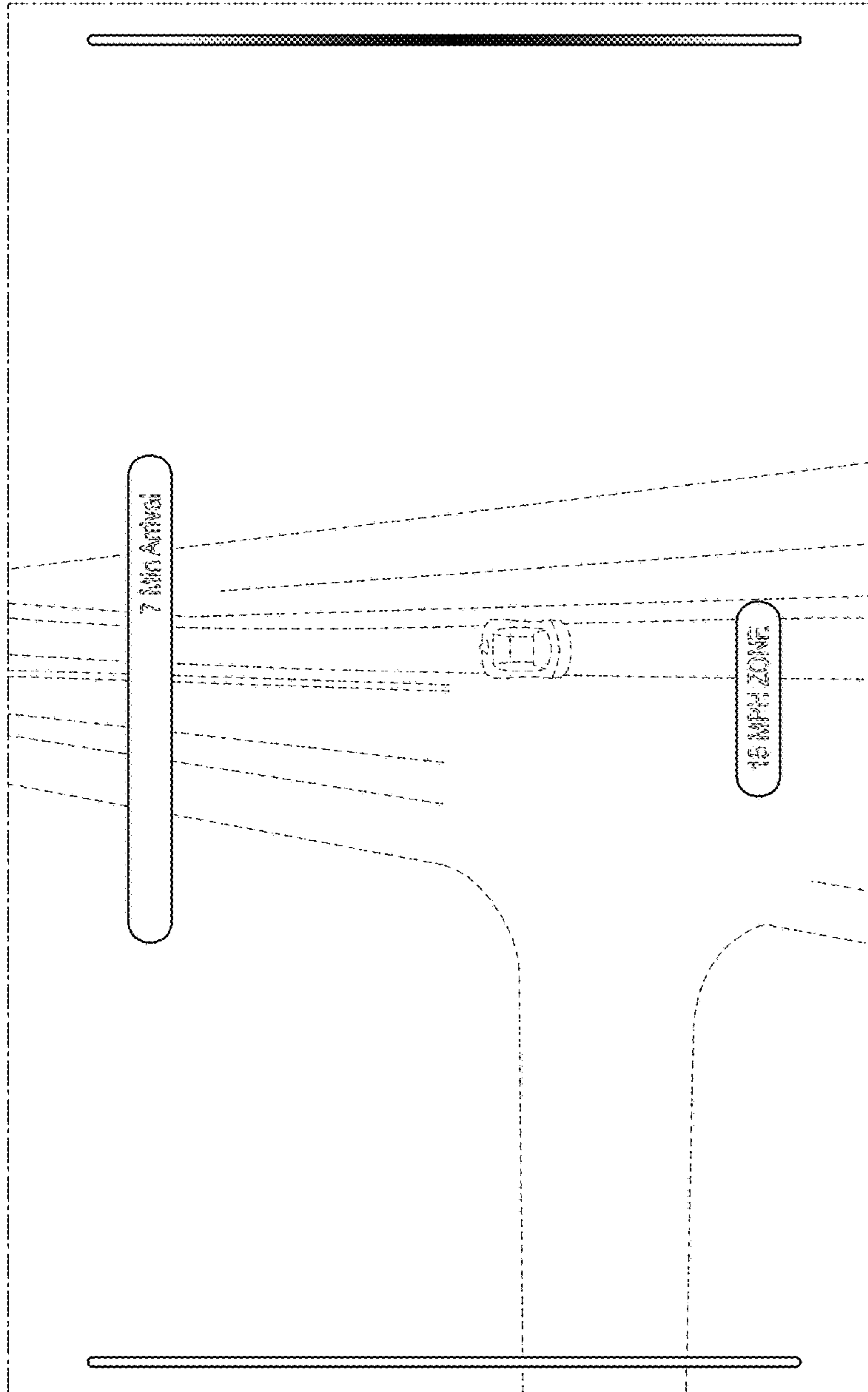


FIG. 4

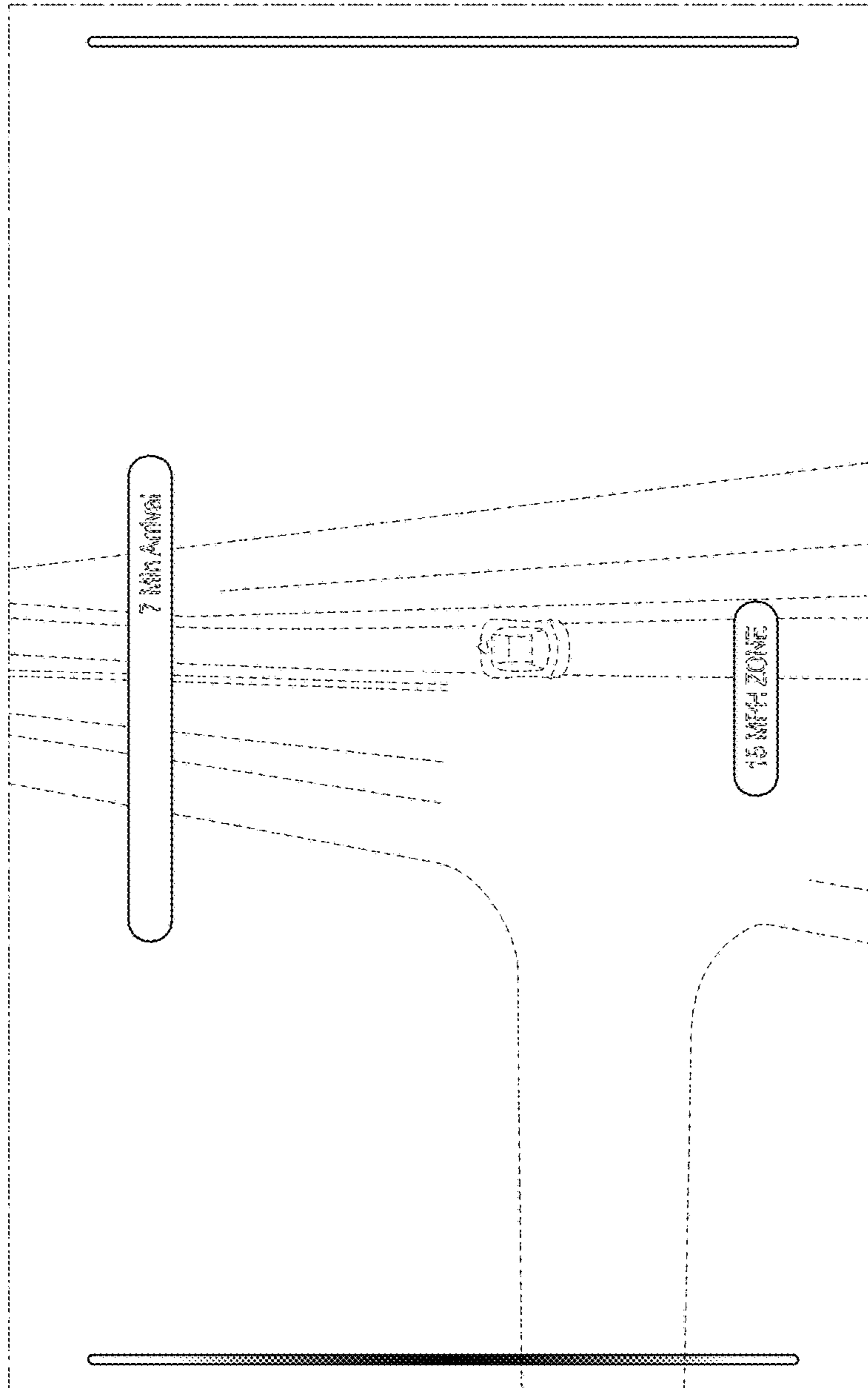


FIG. 5