



US00D858542S

(12) **United States Design Patent** (10) **Patent No.:** **US D858,542 S**
Forrest et al. (45) **Date of Patent:** **** Sep. 3, 2019**

(54) **DISPLAY PANEL OR SCREEN WITH AN ANIMATED GRAPHICAL USER INTERFACE**

(71) Applicant: **SONY CORPORATION**, Tokyo (JP)

(72) Inventors: **Matthew D. Forrest**, Kanagawa (JP);
Rei Fukuda, Tokyo (JP); **Haruo Oba**, Kanagawa (JP)

(73) Assignee: **SONY CORPORATION**, Tokyo (JP)

(**) Term: **15 Years**

(21) Appl. No.: **29/640,797**

(22) Filed: **Mar. 16, 2018**

(30) **Foreign Application Priority Data**

Jan. 26, 2018 (JP) D2018-001519

Jan. 26, 2018 (JP) D2018-001520

(Continued)

(51) **LOC (12) Cl.** **14-04**

(52) **U.S. Cl.**
USPC **D14/485**

(58) **Field of Classification Search**
USPC D14/485-495

(Continued)

(56) **References Cited**

U.S. PATENT DOCUMENTS

D570,866 S * 6/2008 Borovsky D14/487

D589,520 S * 3/2009 Moody D14/485

(Continued)

FOREIGN PATENT DOCUMENTS

CN 303266217 S 7/2015

CN 303605202 S 3/2016

EM 002747568-0011 S 4/2015

OTHER PUBLICATIONS

“Parametric curves | Multivariable calculus | Khan Academy” May 5, 2016, YouTube, site visited Feb. 13, 2019: <https://www.youtube.com/watch?v=bb4bSCjIFAw&feature=youtu.be>.*

(Continued)

Primary Examiner — Jack Reickel

(74) *Attorney, Agent, or Firm* — Michael Best & Friedrich LLP

(57) **CLAIM**

The ornamental design for a display panel or screen with an animated graphical user interface, as shown and described.

DESCRIPTION

FIG. 1 is a front view of a display panel or screen with a first image of an animated graphical user interface showing our new design;

FIG. 2 is a second image thereof;

FIG. 3 is a third image thereof;

FIG. 4 is a fourth image thereof;

FIG. 5 is a fifth image thereof; and

FIG. 6 is a sixth image thereof.

FIG. 7 is a partially enlarged front view thereof along the lines 7-7 and 7'-7' of FIG. 1;

FIG. 8 is a partially enlarged front view thereof along the lines 8-8 and 8'-8' of FIG. 2;

FIG. 9 is a partially enlarged front view thereof along the lines 9-9 and 9'-9' of FIG. 3;

FIG. 10 is a partially enlarged front view thereof along the lines 10-10 and 10'-10' of FIG. 4;

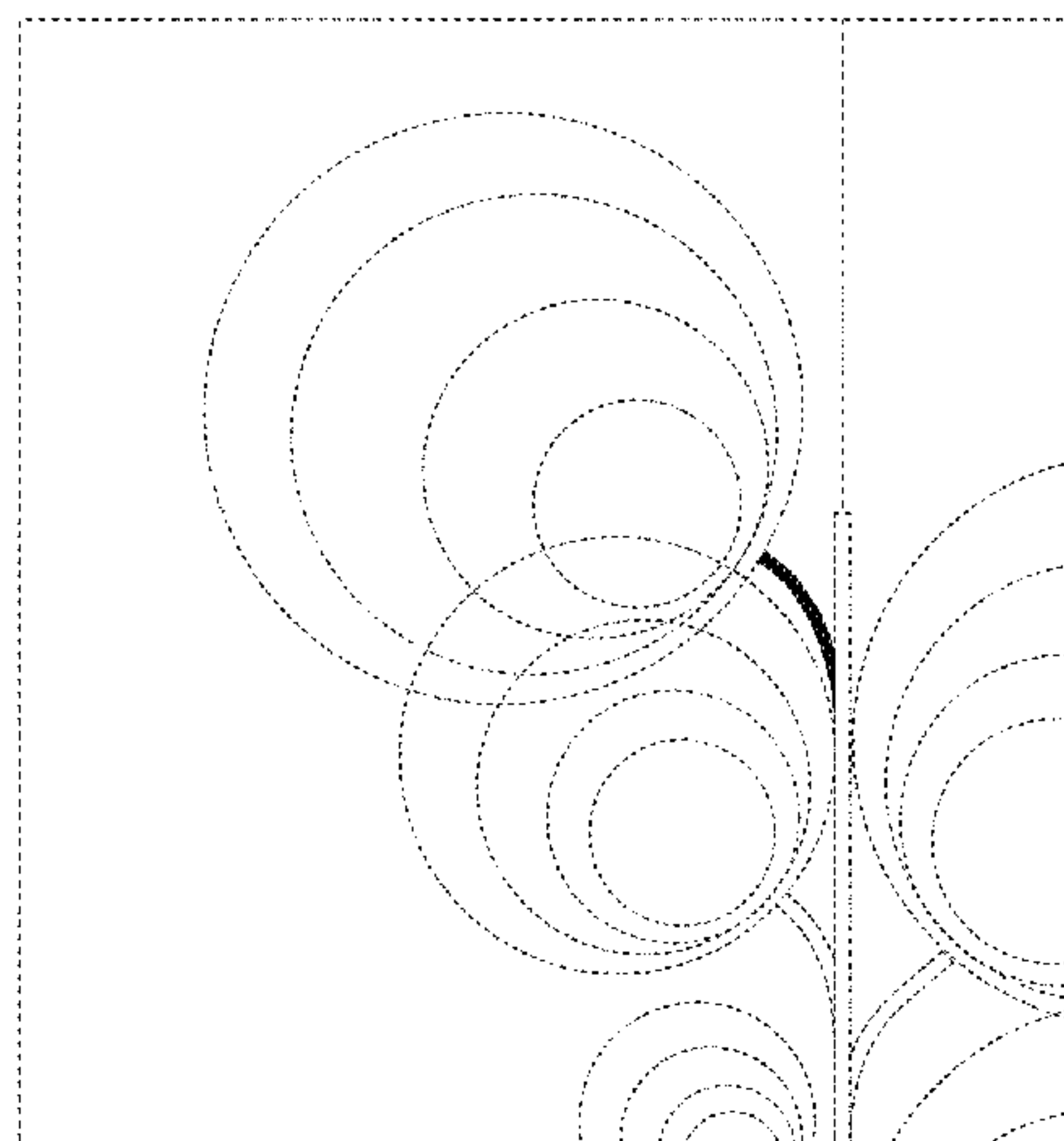
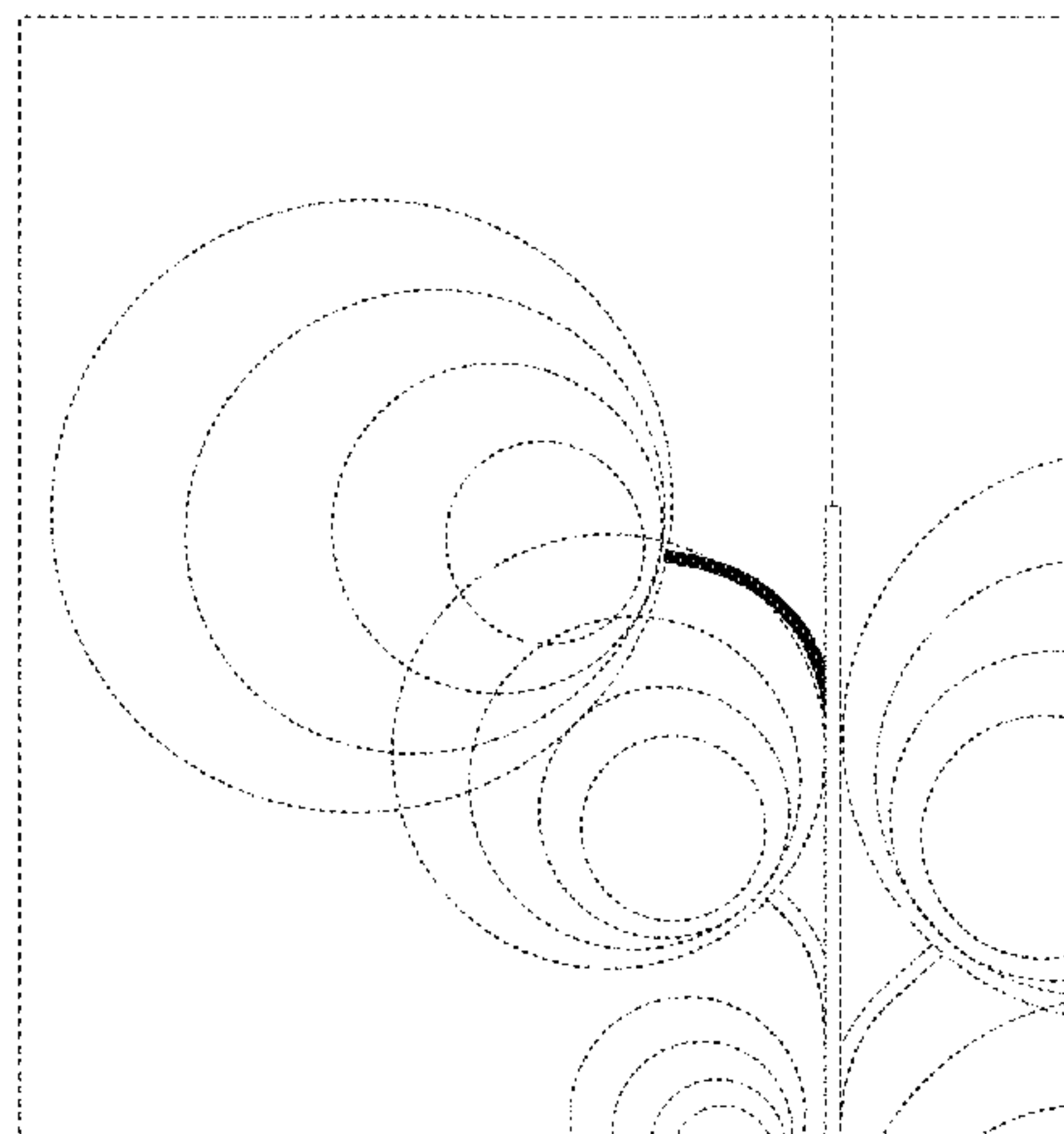
FIG. 11 is a partially enlarged front view thereof along the lines 11-11 and 11'-11' of FIG. 5; and,

FIG. 12 is a partially enlarged front view thereof along the lines 12-12 and 12'-12' of FIG. 6.

The appearance of the image transitions from one of to another one of images between 1-6 and 7-12. The process or period in which an image transitions to another forms no part of the claimed design.

The outermost broken lines showing a portion of the display panel or screen and form no part of the claimed design. The

(Continued)



broken lines within the outermost broken lines illustrate a portion of an animated graphical user interface that form no part of the claimed design.

1 Claim, 9 Drawing Sheets

(30) **Foreign Application Priority Data**

Jan. 26, 2018 (JP) D2018-001521
 Jan. 26, 2018 (JP) D2018-001522

(58) **Field of Classification Search**

CPC G06F 3/048; G06F 3/0481; G06F 3/04817;
 G06F 3/0482; G06F 3/0483; G06F
 3/04842; G06F 3/0485; G06F 3/04855;
 G06F 3/0486; G06F 3/0488; G06F
 3/04886; G06F 9/4443; G06F 17/211;
 G06F 17/212

See application file for complete search history.

(56) **References Cited**

U.S. PATENT DOCUMENTS

D649,555 S * 11/2011 Christie D14/486
 D676,860 S * 2/2013 Russell D14/486

D700,192 S * 2/2014 Kaplan D14/485
 D711,898 S * 8/2014 Edman D14/486
 D712,921 S * 9/2014 Pearson D14/488
 D721,084 S * 1/2015 Kimball D14/485
 D733,728 S * 7/2015 Guner D14/486
 D753,175 S * 4/2016 Qu D14/487
 D761,277 S * 7/2016 Harvell D14/485
 D777,735 S * 1/2017 Kim D14/485
 D781,876 S * 3/2017 Wang D14/485
 D785,658 S * 5/2017 Moroney D14/486
 D792,452 S * 7/2017 Edman D14/488
 D807,376 S * 1/2018 Mizono D14/485
 D819,692 S * 6/2018 Kim D14/492
 D823,879 S * 7/2018 Brigham D14/486

OTHER PUBLICATIONS

“How to Animate Curves in Blender”. Dec. 22, 2015, YouTube, site visited Feb. 14, 2019: <https://www.youtube.com/watch?v=2KAuz92L7g8>.
 “Seed Germination” Dec. 26, 2015, YouTube, site visited Feb. 14, 2019: <https://www.youtube.com/watch?v=TE6xptjgNR0>.
 Website <https://itunes.apple.com/jp/app/flowerium/id452512549?mt=8&ign-mpt=uo%3D8>, App Store Preview, “Flowerium”, 2011, Apple Inc.
 Kyoto City Environmental Policy Bureau, Website <<http://app.kyoto-kogomi.jp/>>, “Kyoto Kogomi Net—Kogomi App”, Dec. 2016, Kyoto City, Japan.

* cited by examiner

FIG.1

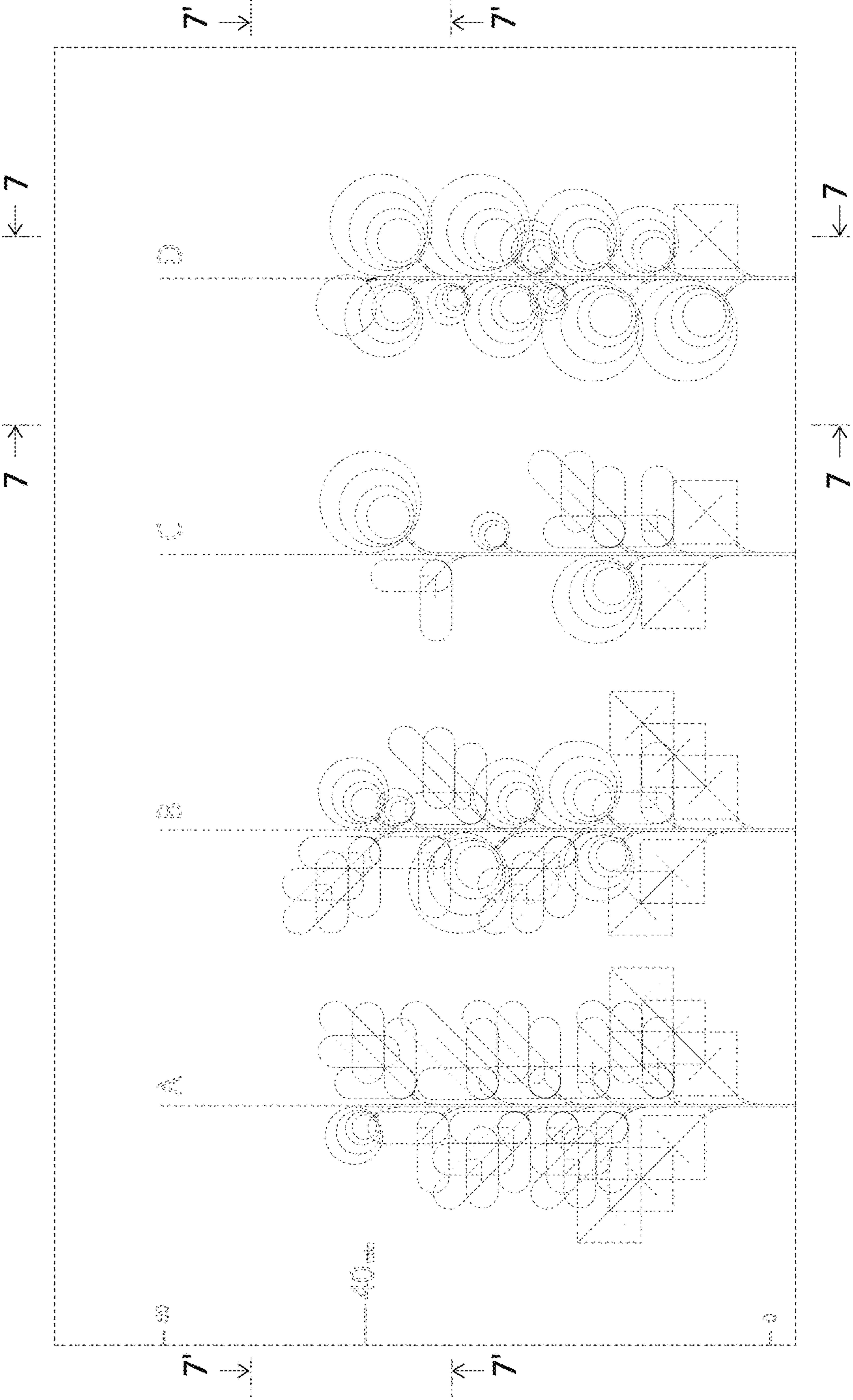


FIG.2

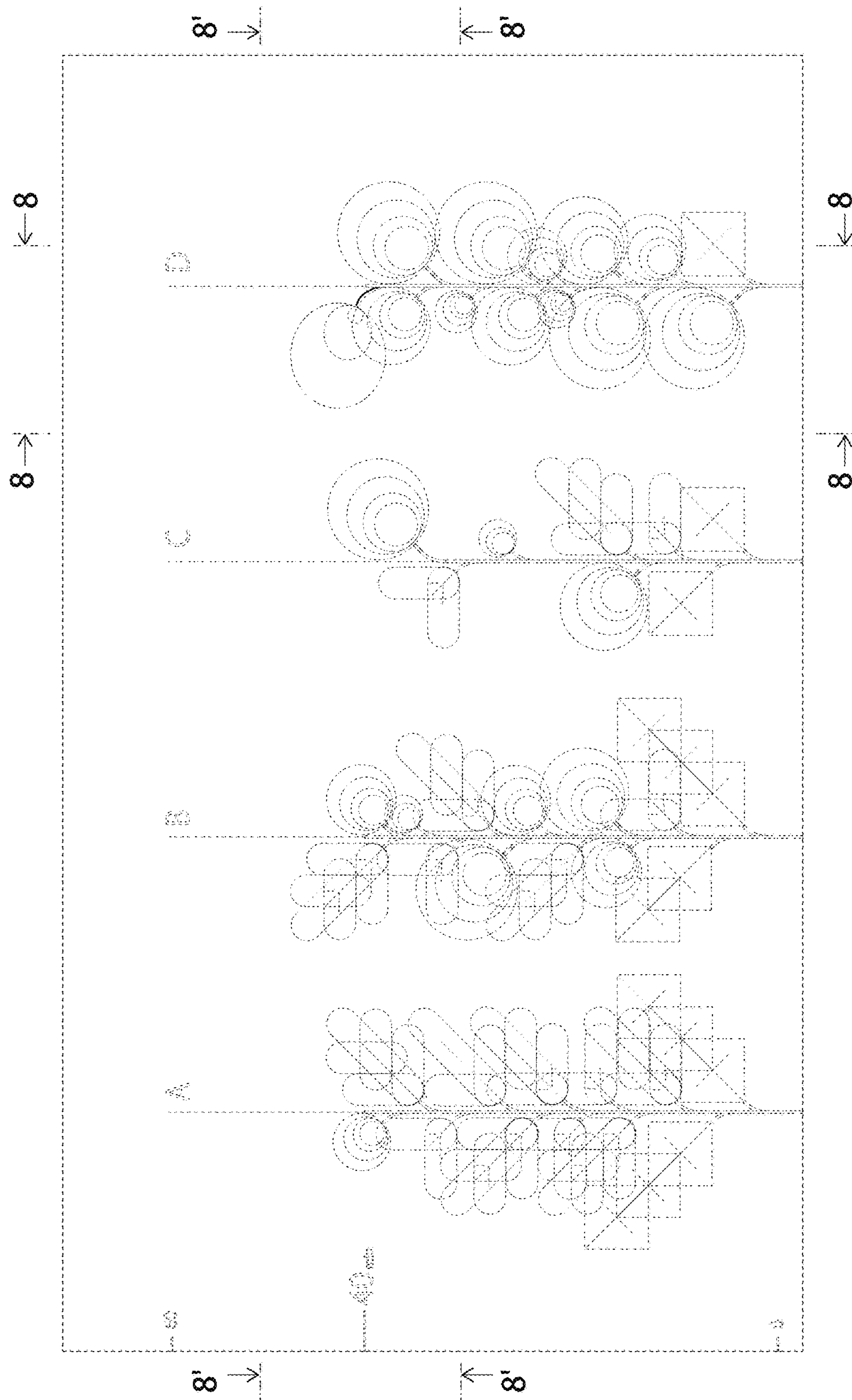


FIG.3

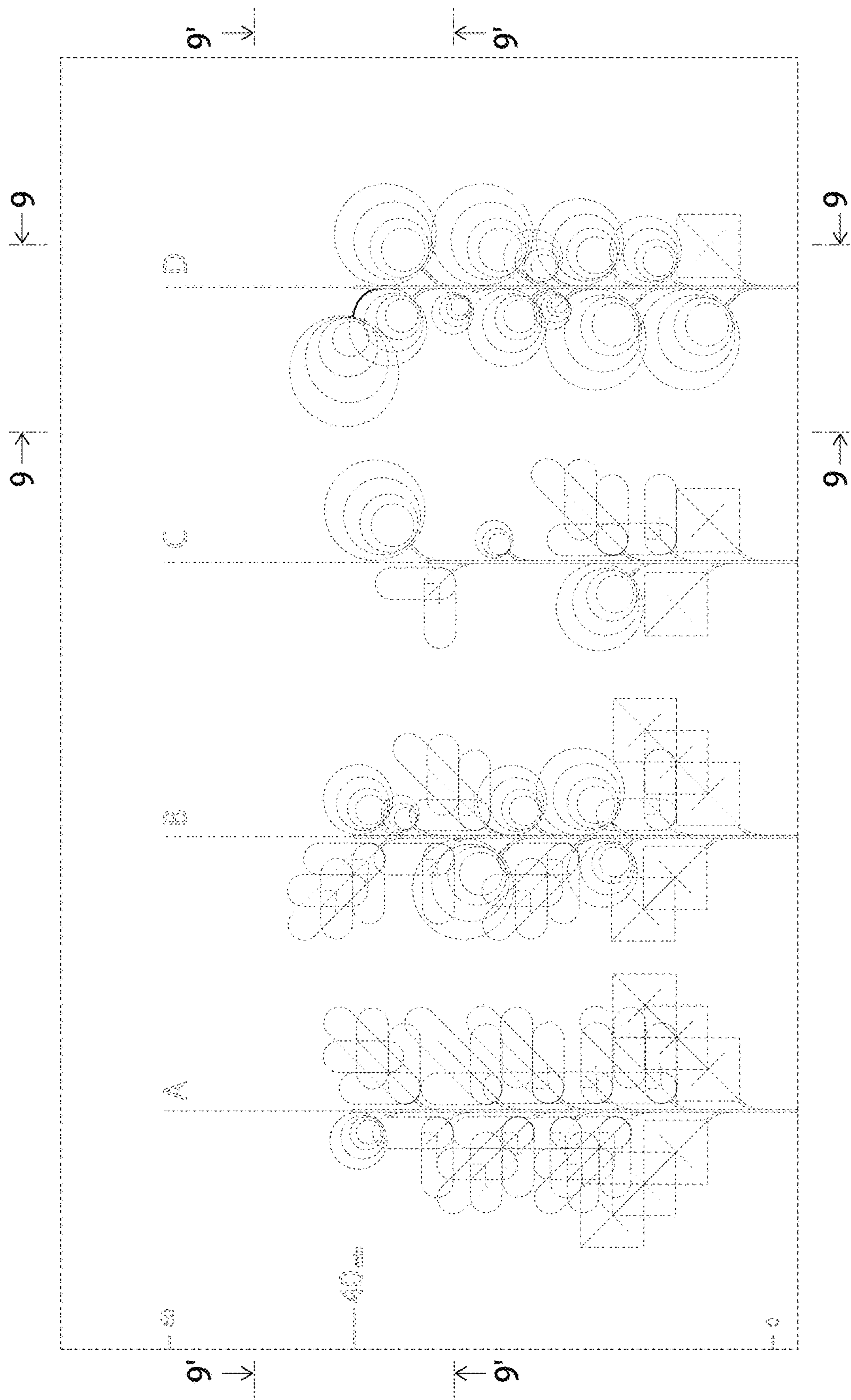


FIG.4

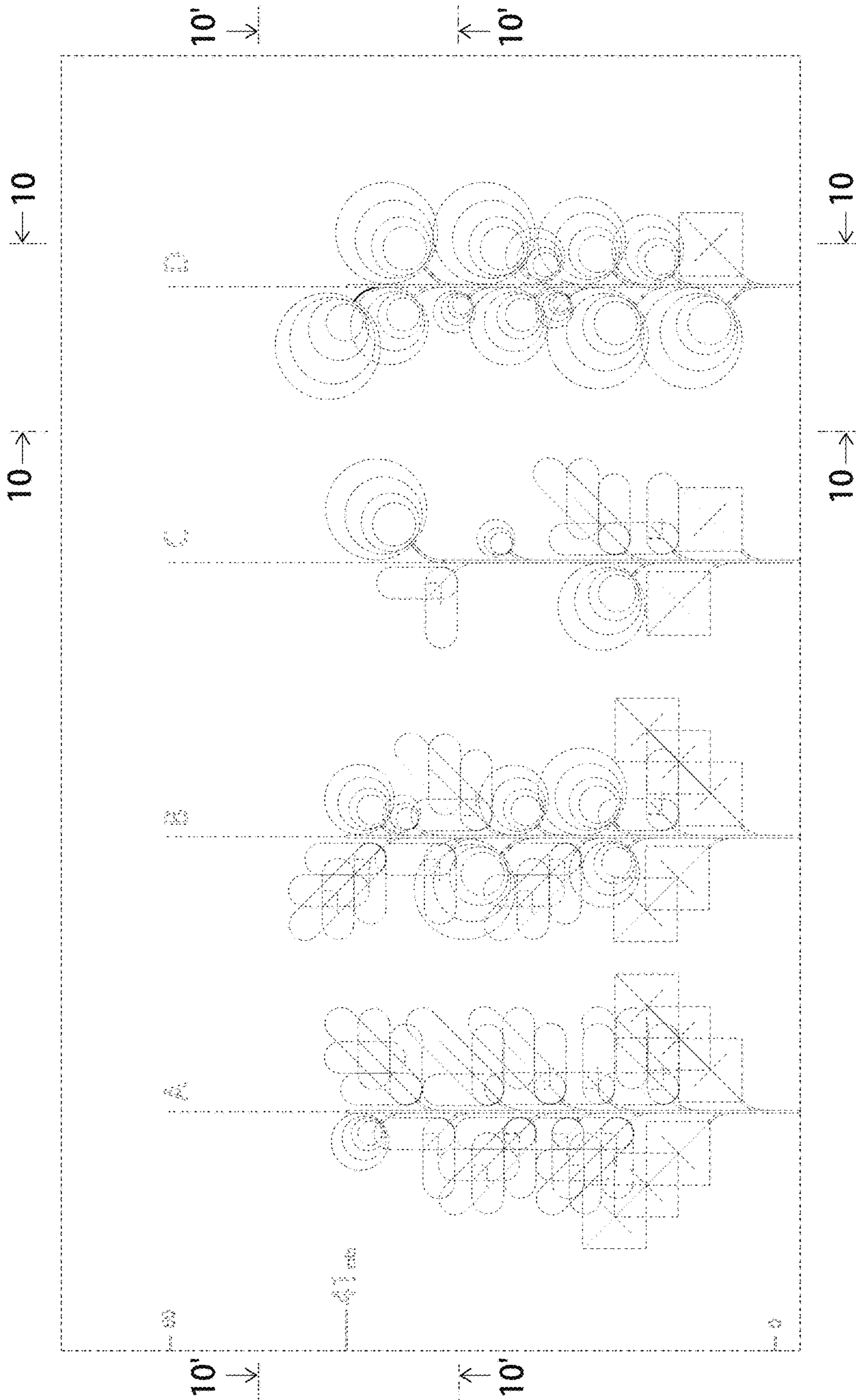


FIG.5

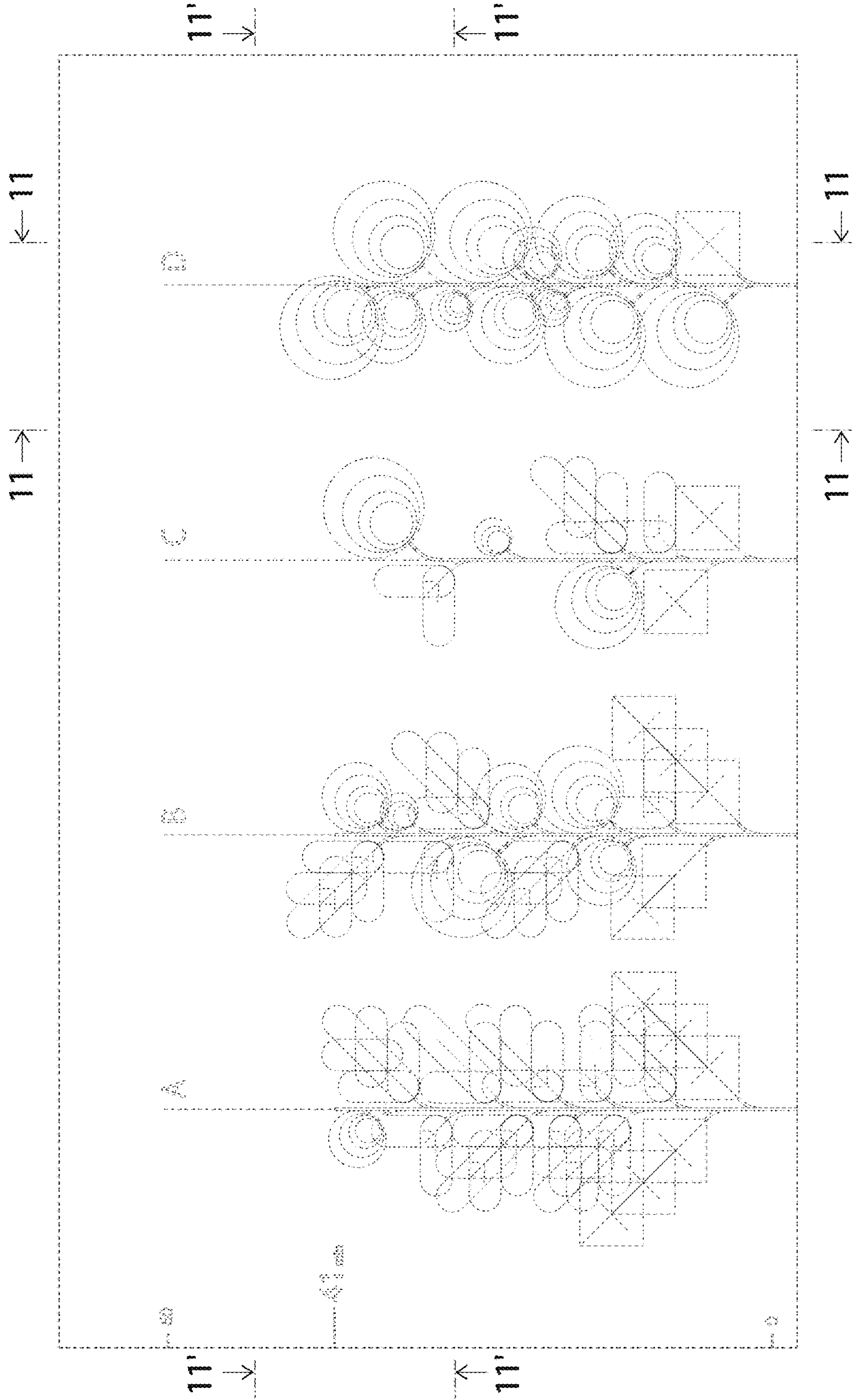


FIG.6

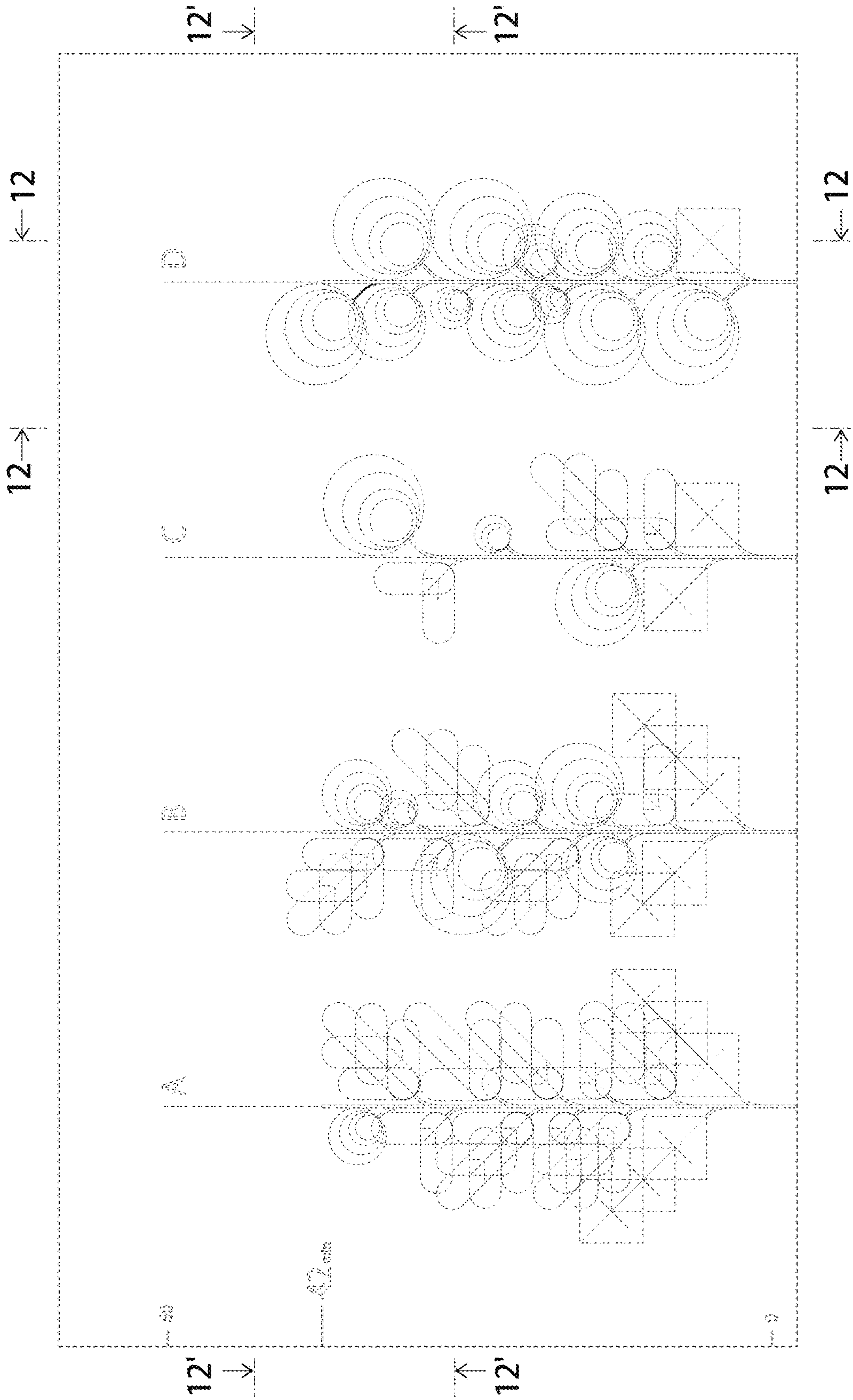


FIG.7

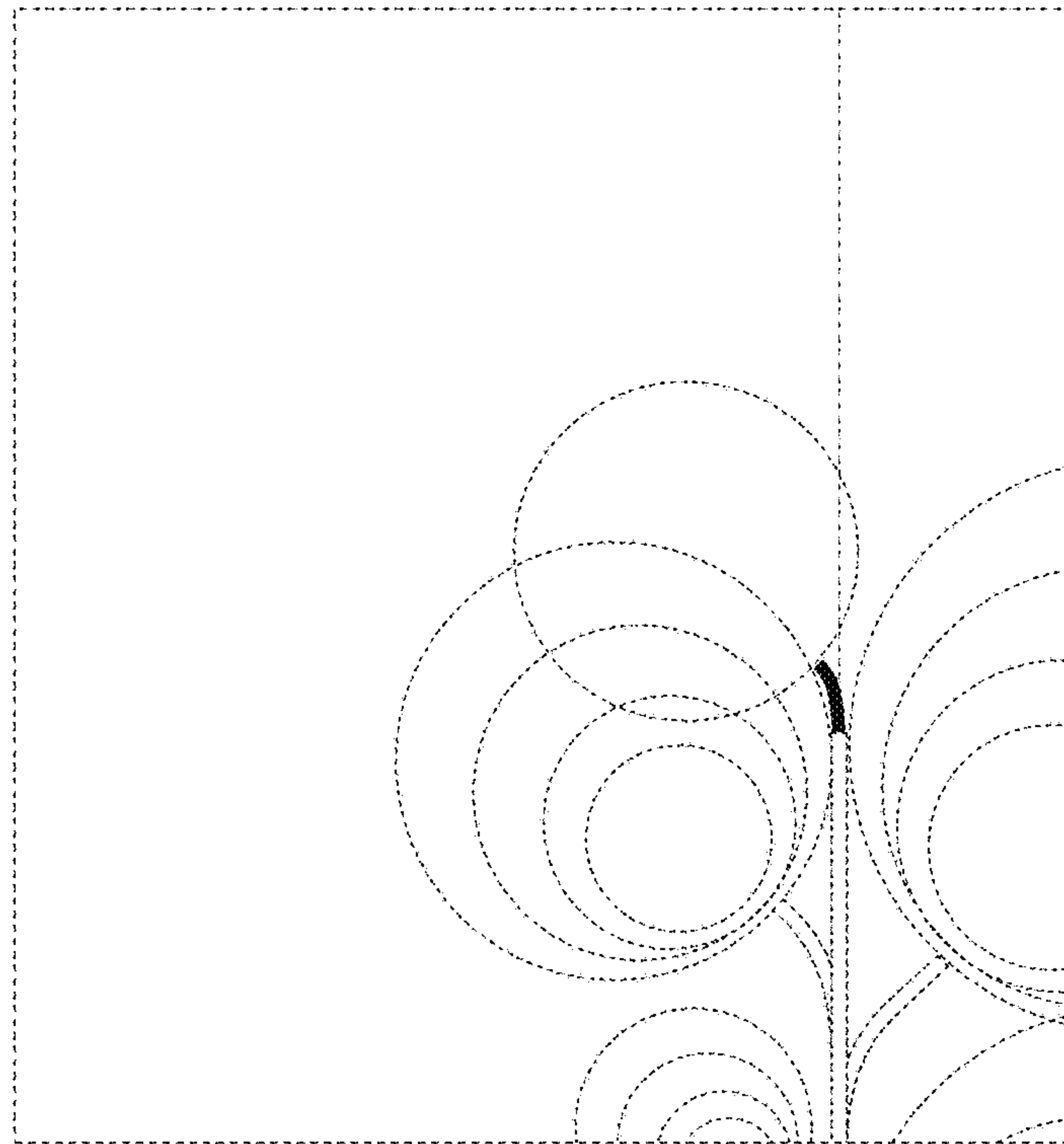


FIG.8

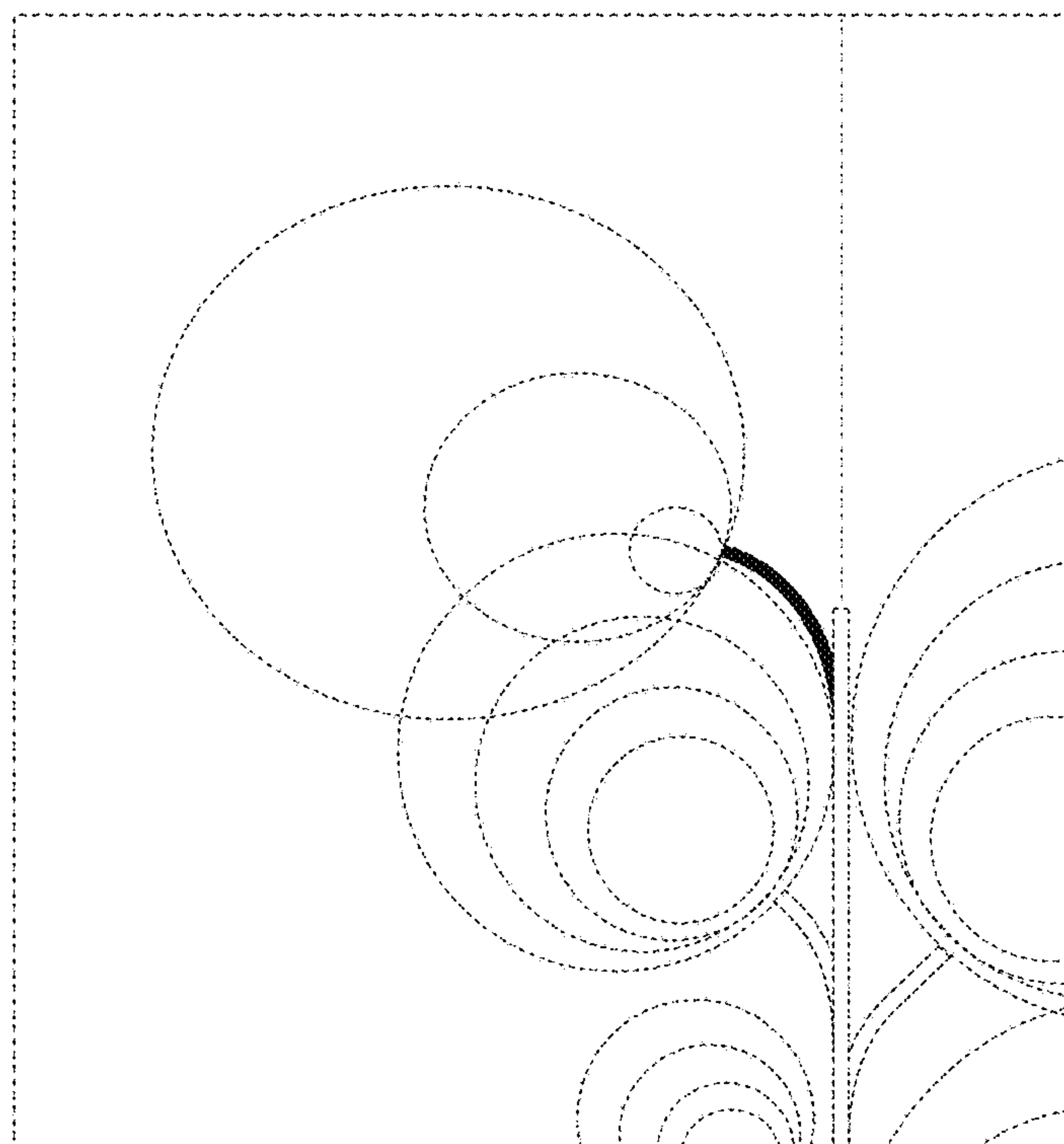


FIG.9

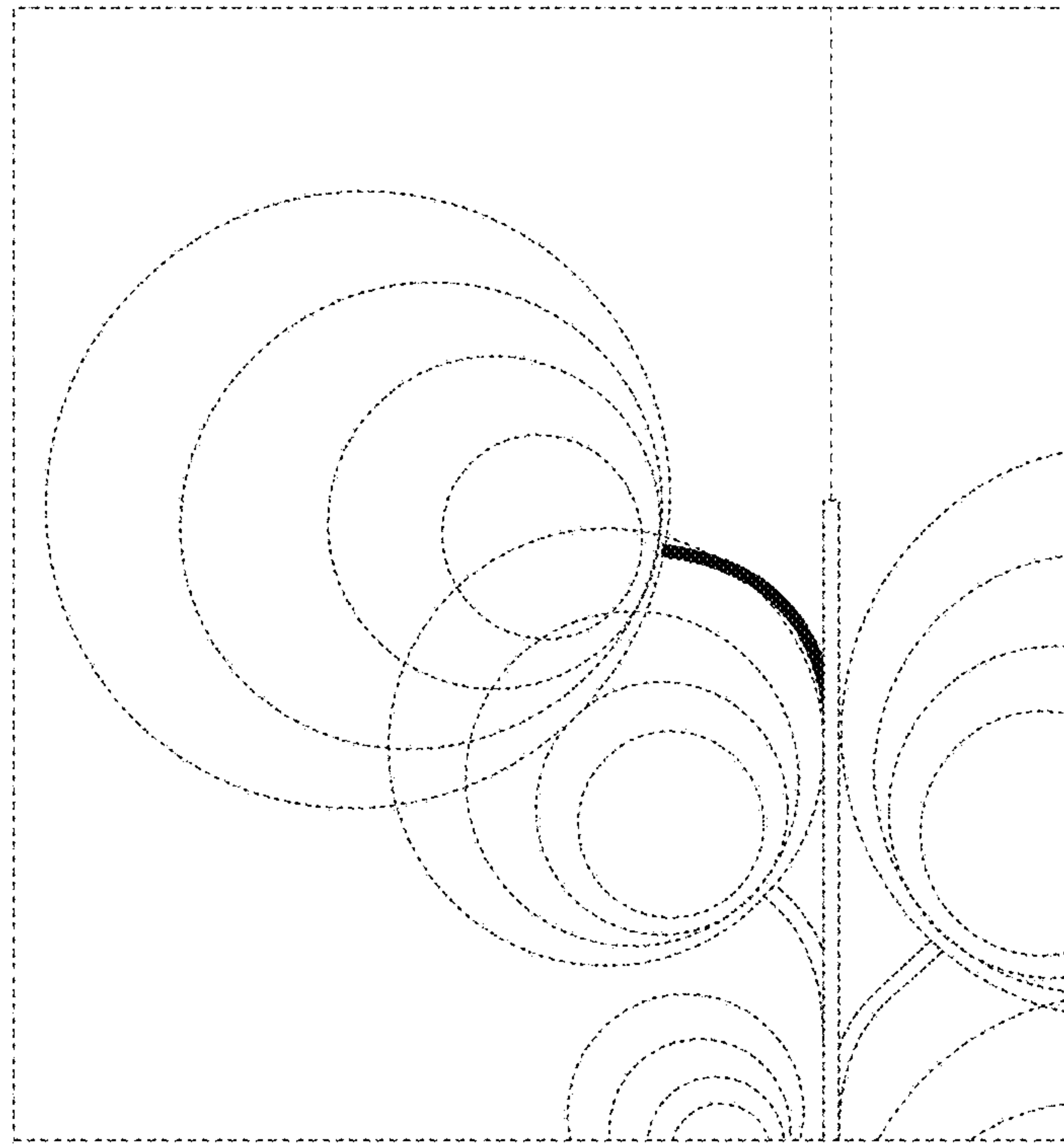


FIG.10

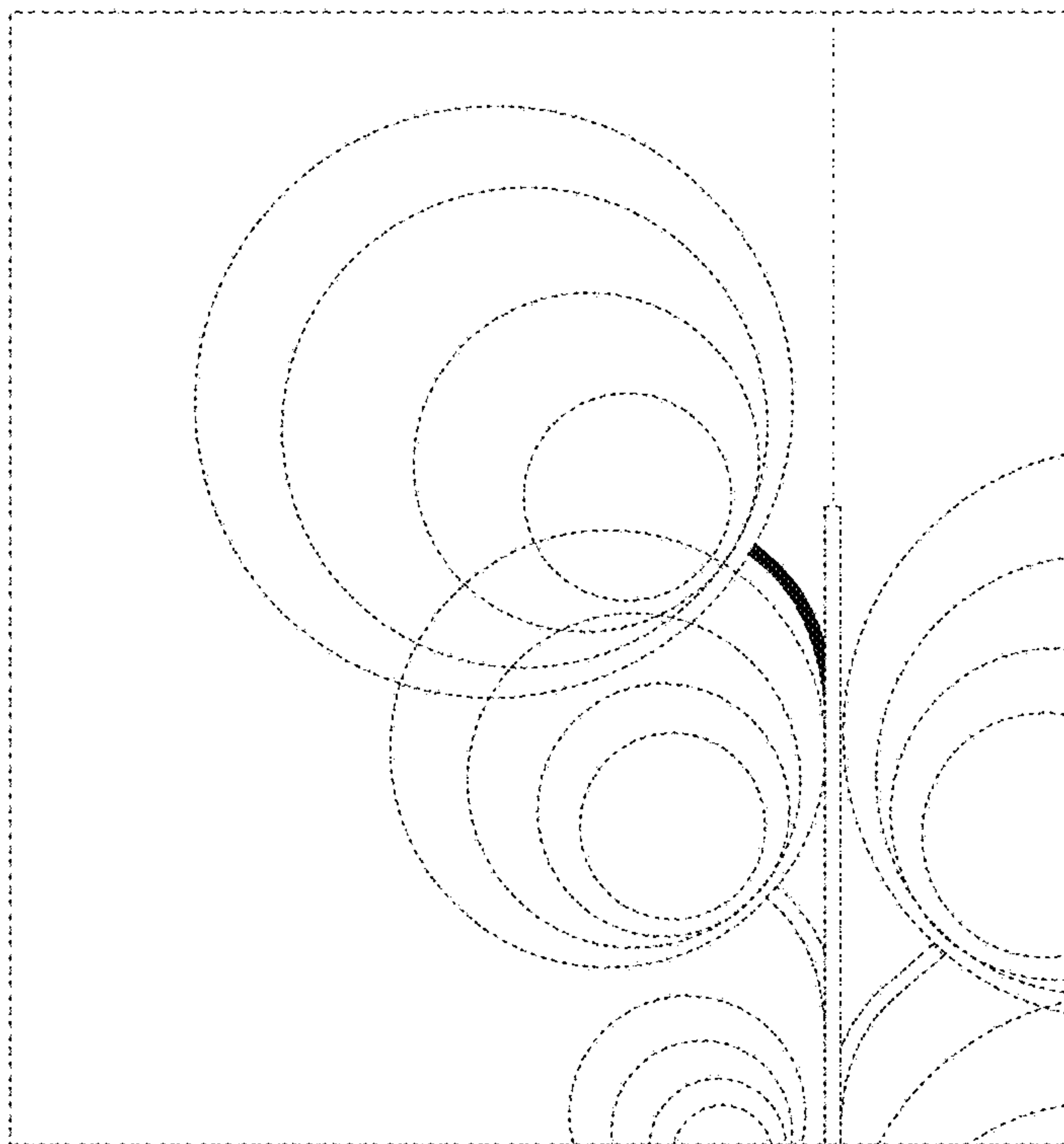


FIG.11

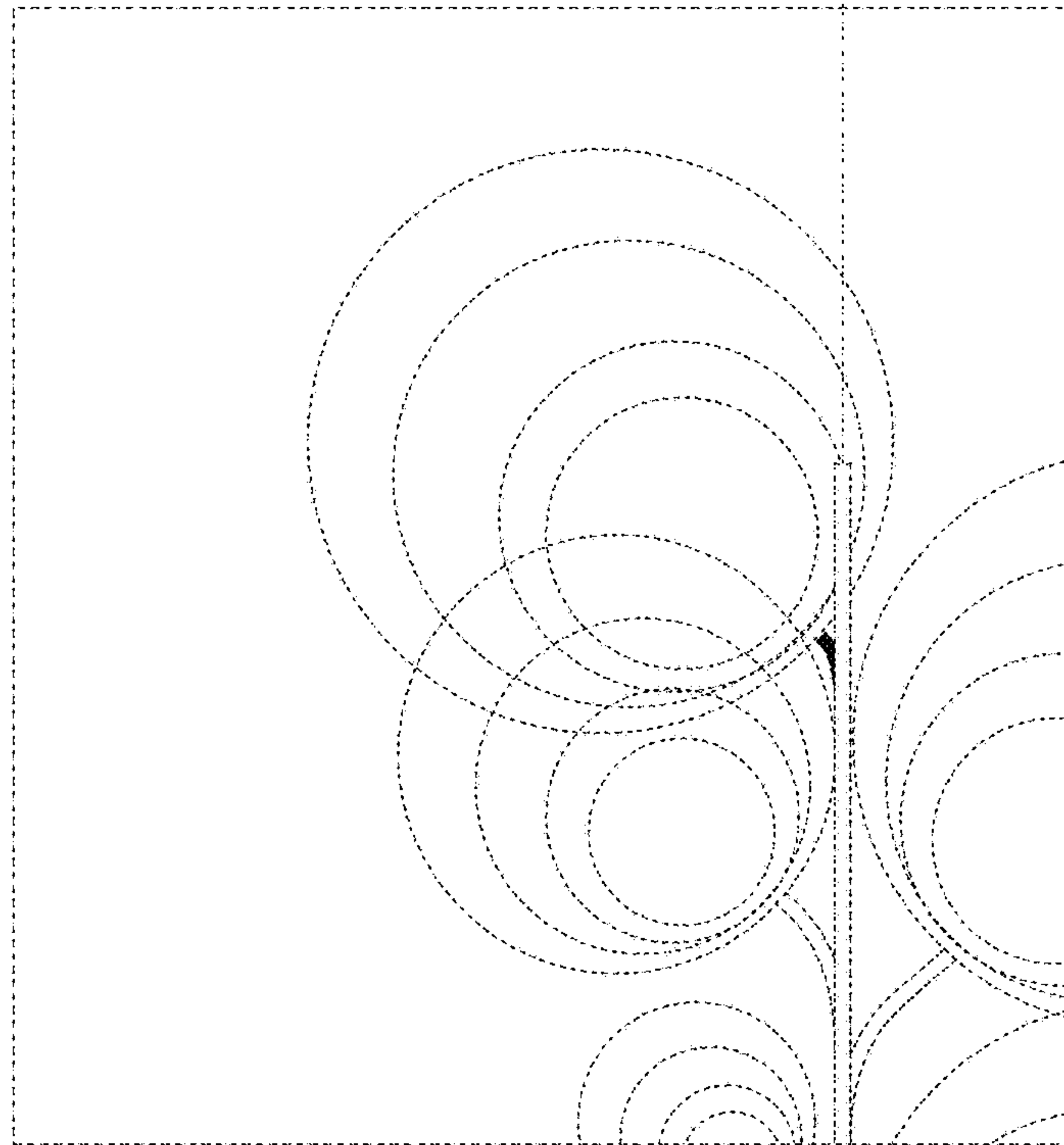


FIG.12

