



US00D858540S

(12) **United States Design Patent** (10) **Patent No.:** **US D858,540 S**
Lian et al. (45) **Date of Patent:** **** Sep. 3, 2019**

(54) **MOBILE TERMINAL DISPLAY SCREEN WITH GRAPHICAL USER INTERFACE**

D440,514 S * 4/2001 Gruosi D10/125
D511,337 S * 11/2005 Kim D14/168
D529,506 S * 10/2006 McLees D14/485
D532,874 S * 11/2006 Hoernig D23/254

(71) Applicant: **BEIJING KINGSOFT INTERNET SECURITY SOFTWARE CO., LTD.**, Beijing (CN)

(Continued)

(72) Inventors: **Fei Lian**, Beijing (CN); **Wei Li**, Beijing (CN)

OTHER PUBLICATIONS

“Slow pc Help !” Oct. 29, 2014, posted at unp.me, [site visited May 20, 2019]. <https://www.unp.me/f183/slow-pc-help-260477>.*

(73) Assignee: **BEIJING KINGSOFT INTERNET SECURITY SOFTWARE CO., LTD.**, Beijing (CN)

(Continued)

(**) Term: **15 Years**

Primary Examiner — Jack Reickel

Assistant Examiner — John M Otte

(21) Appl. No.: **29/628,422**

(74) *Attorney, Agent, or Firm* — Hodgson Russ LLP

(22) Filed: **Dec. 5, 2017**

(57) **CLAIM**

The ornamental design for a mobile terminal display screen with graphical user interface, as shown and described.

(30) **Foreign Application Priority Data**

DESCRIPTION

Jun. 6, 2017 (CN) 2017 3 0225799

(51) **LOC (12) Cl.** **14-04**

(52) **U.S. Cl.**
USPC **D14/485**

(58) **Field of Classification Search**
USPC D20/11; D21/324, 325; D14/485–495
CPC G06F 3/048; G06F 3/0481; G06F 3/04817;
G06F 3/0482; G06F 3/0483; G06F 3/04842; G06F 3/0485; G06F 3/04855;
G06F 3/0486; G06F 3/0488; G06F 3/04886; G06F 9/4443; G06F 17/211;
G06F 17/212; B60H 1/00964; B60K 37/02; B62J 99/00

See application file for complete search history.

FIG. 1 is a front elevation view of a mobile terminal display screen with graphical user interface according to a first embodiment;

FIG. 2 is a front elevation view of a mobile terminal display screen with graphical user interface according to a second embodiment;

FIG. 3 is a front elevation view of a mobile terminal display screen with graphical user interface according to a third embodiment;

FIG. 4 is a front elevation view of a mobile terminal display screen with graphical user interface according to a fourth embodiment; and,

FIG. 5 is a front elevation view of a mobile terminal display screen with graphical user interface according to a fifth embodiment.

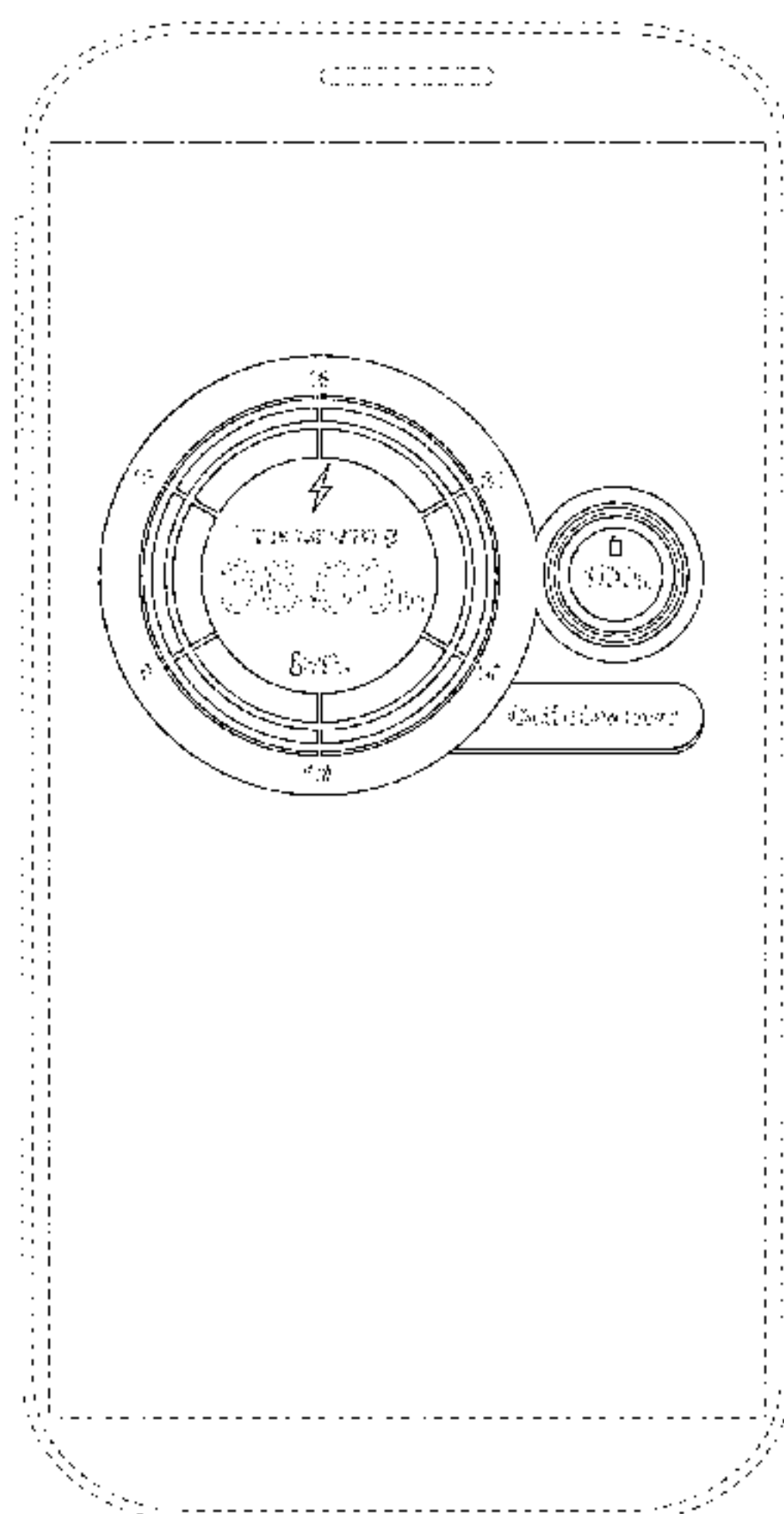
The dashed lines represent unclaimed features that form no part of the claimed design. The long dash-short dash lines indicate the display boundary of the mobile terminal display screen.

(56) **References Cited**

U.S. PATENT DOCUMENTS

D293,422 S * 12/1987 Nunes 116/334
5,931,378 A * 8/1999 Schramm B60H 1/00964
165/11.1

1 Claim, 5 Drawing Sheets



(56)

References Cited

U.S. PATENT DOCUMENTS

D542,301 S * 5/2007 Harvey D14/489
 D549,722 S * 8/2007 Ito D14/488
 D556,610 S * 12/2007 Kautz D10/60
 D586,353 S * 2/2009 Lee D14/485
 D588,154 S * 3/2009 Bouchard D14/489
 D602,033 S * 10/2009 Vu D14/485
 D637,196 S * 5/2011 Ray D14/486
 D668,673 S * 10/2012 Molino D14/489
 D716,325 S * 10/2014 Brudnicki D14/486
 9,067,528 B2 * 6/2015 Otsuji B62J 99/00
 D740,302 S * 10/2015 Son G06F 3/04817
 D14/485
 D751,606 S * 3/2016 Yu G06F 3/04817
 D14/494
 D763,877 S * 8/2016 Yu G06F 3/04817
 D14/485
 D771,123 S * 11/2016 Anzures D14/489
 D796,520 S * 9/2017 Klar D14/485
 D797,757 S * 9/2017 Osbourne D14/485

D841,022 S * 2/2019 Klar D14/485
 2009/0121853 A1 * 5/2009 Eich B60K 37/02
 340/438
 2015/0040069 A1 * 2/2015 Gunaratnam G06F 3/04817
 715/834

OTHER PUBLICATIONS

Breninek, Ralf, "Automotive cluster UI / UX composed in Kanzi"
 Aug. 7, 2016, posted at behance.net, [site visited May 20, 2019].
<https://www.behance.net/gallery/41371717/Automotive-cluster-UI-UX-composed-in-Kanzi>.
 "VEMS Bluetooth to Serial Adapter" Mar. 1, 2013, posted at
 vems.us, [site visited May 22, 2019]. http://www.vems.us/bluetooth_serial.
 Brown, Martin, "New-Gocycle-Live-Dash-v5-smart-phone-app" May
 5, 2017, posted at e-bikeshop.co.uk, [site visited May 22, 2019].
<https://www.e-bikeshop.co.uk/blog/post/gocycle-electric-bike-v5-0-app/new-gocycle-live-dash-v5-smart-phone-app>.

* cited by examiner

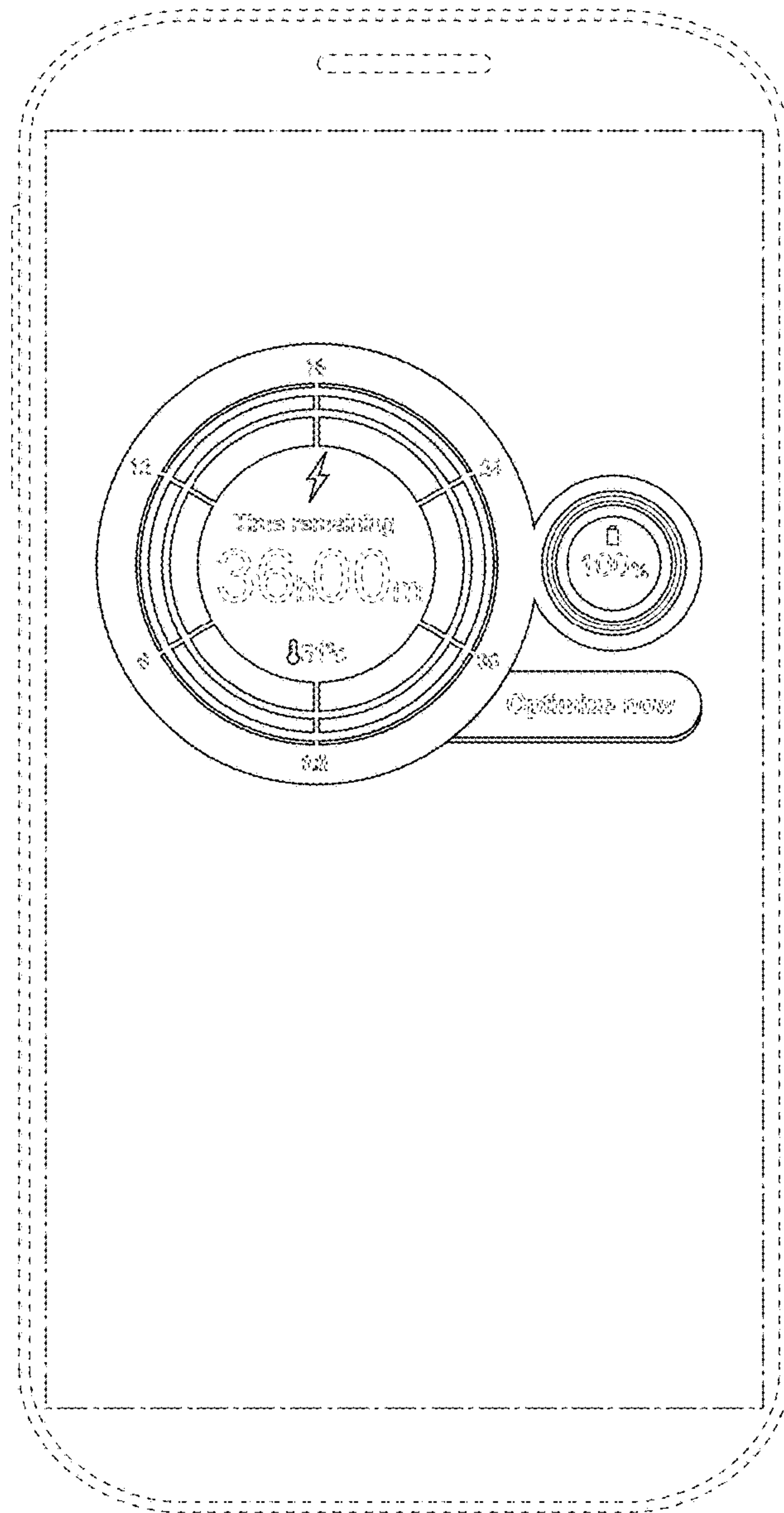


FIG. 1

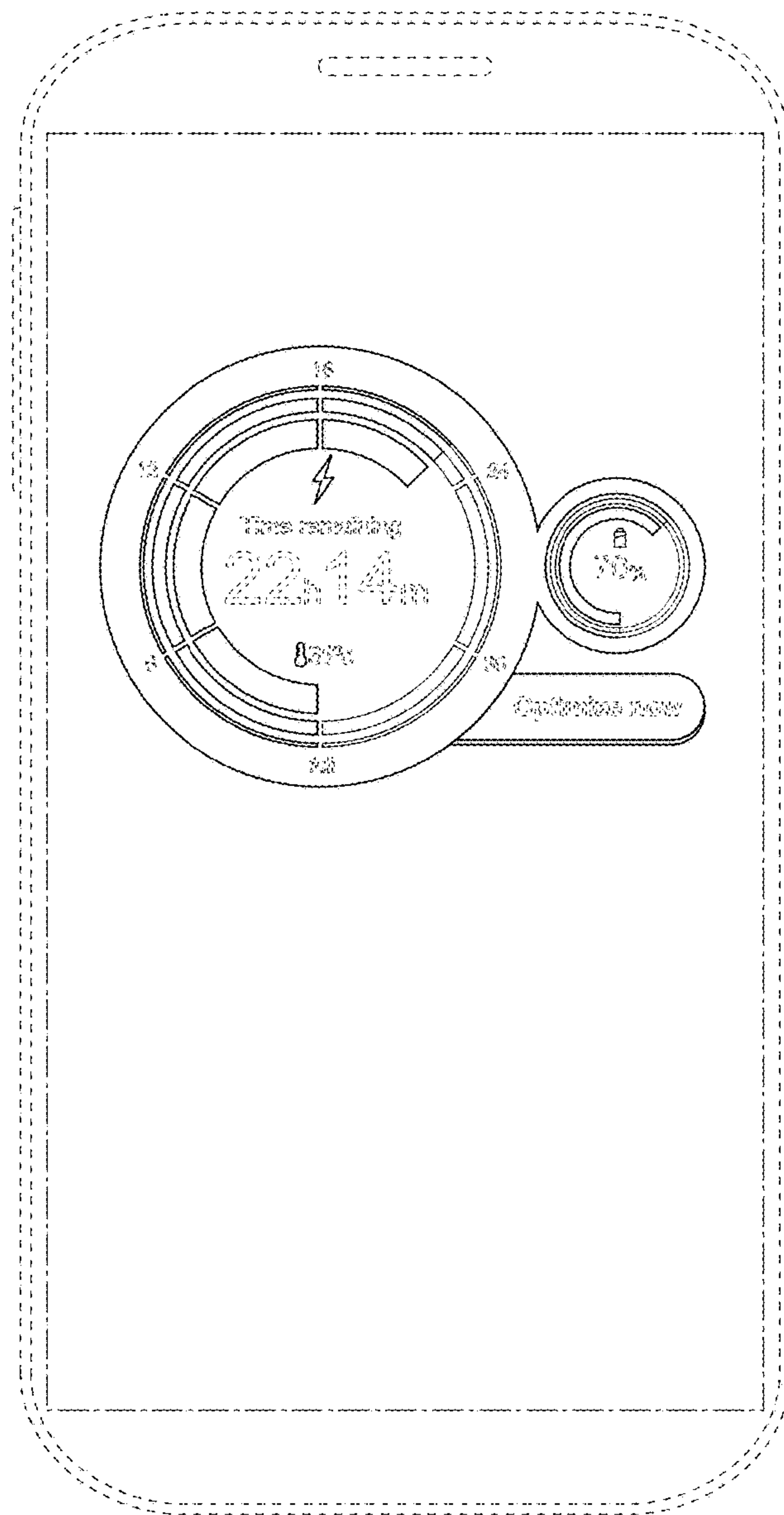


FIG. 2

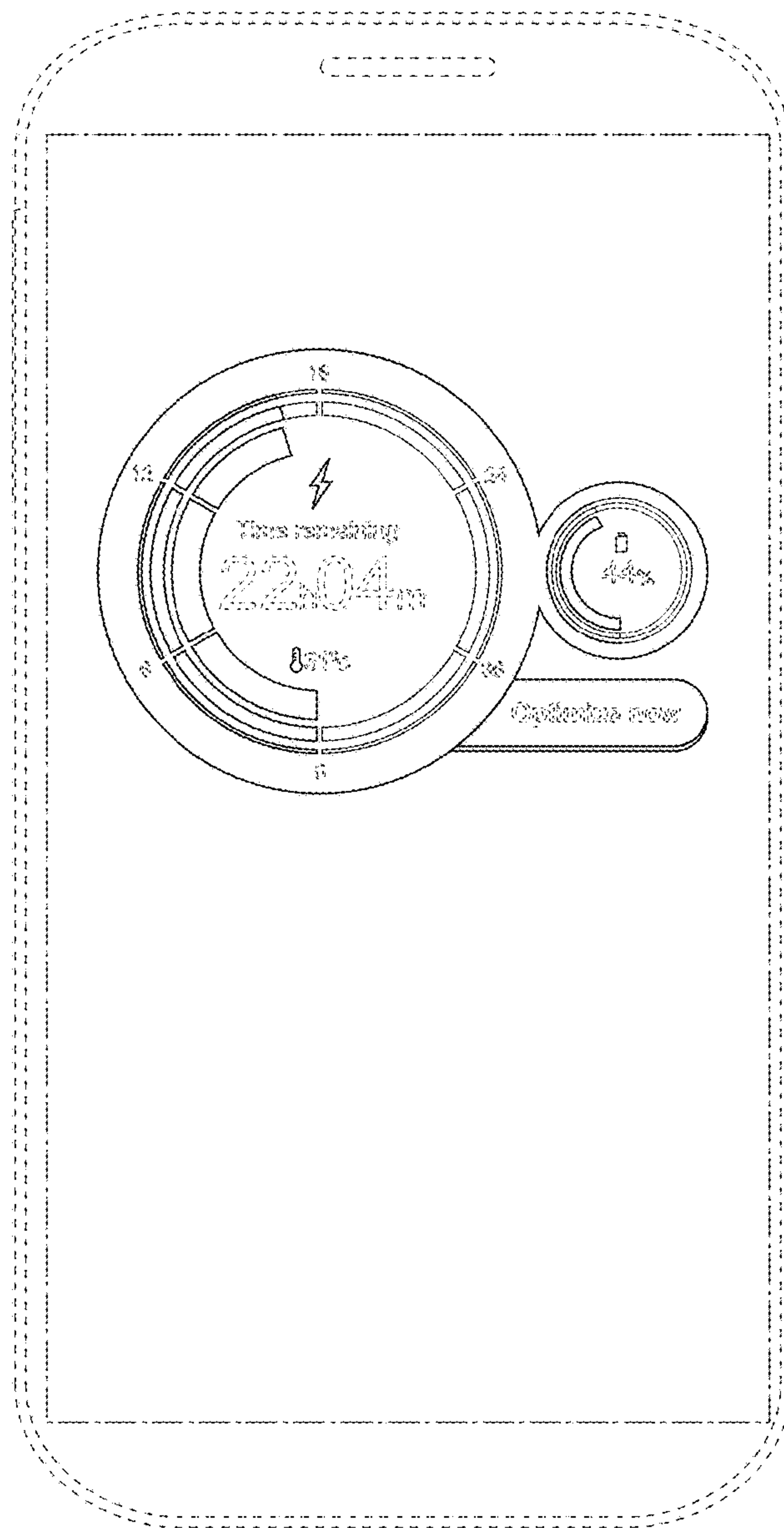


FIG. 3

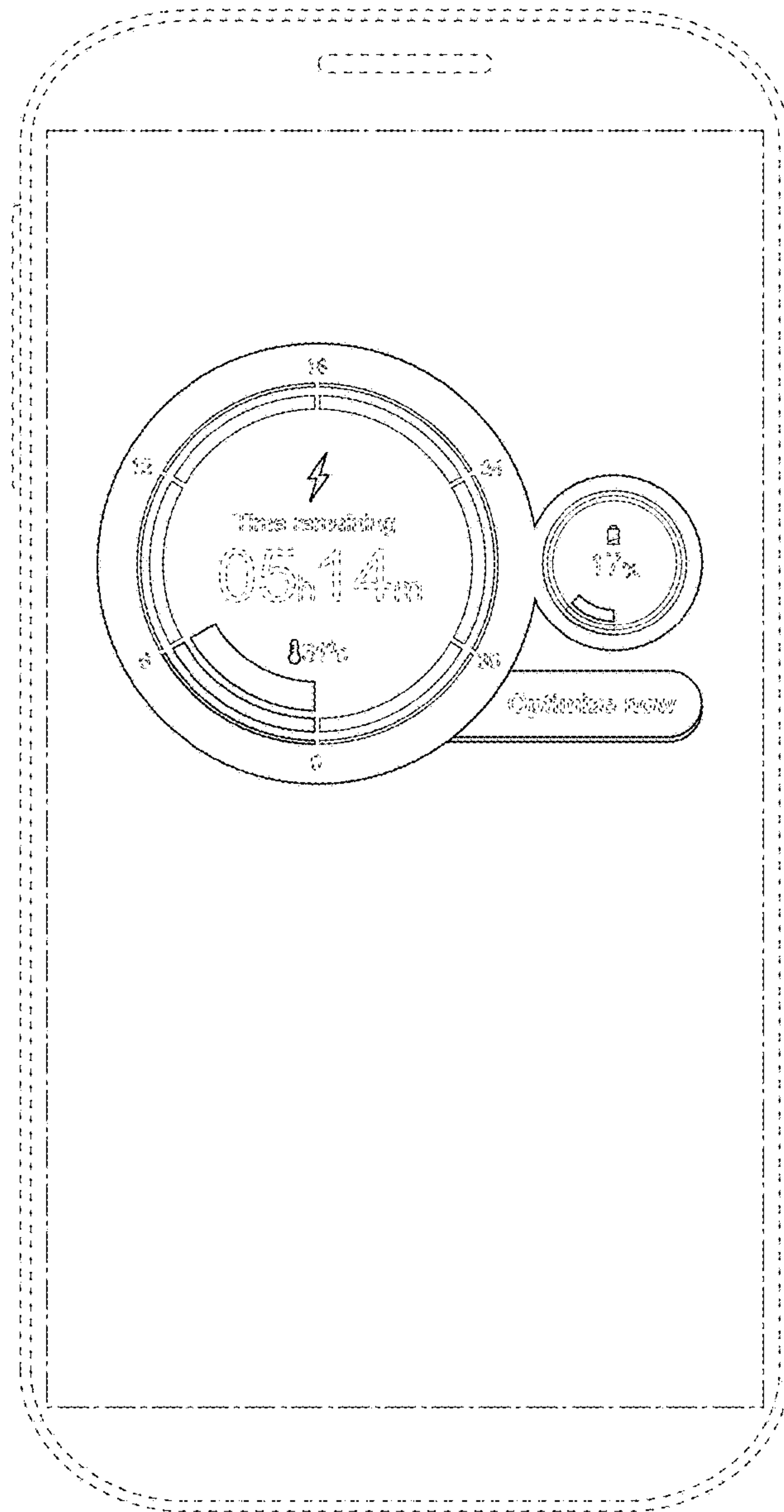


FIG. 4

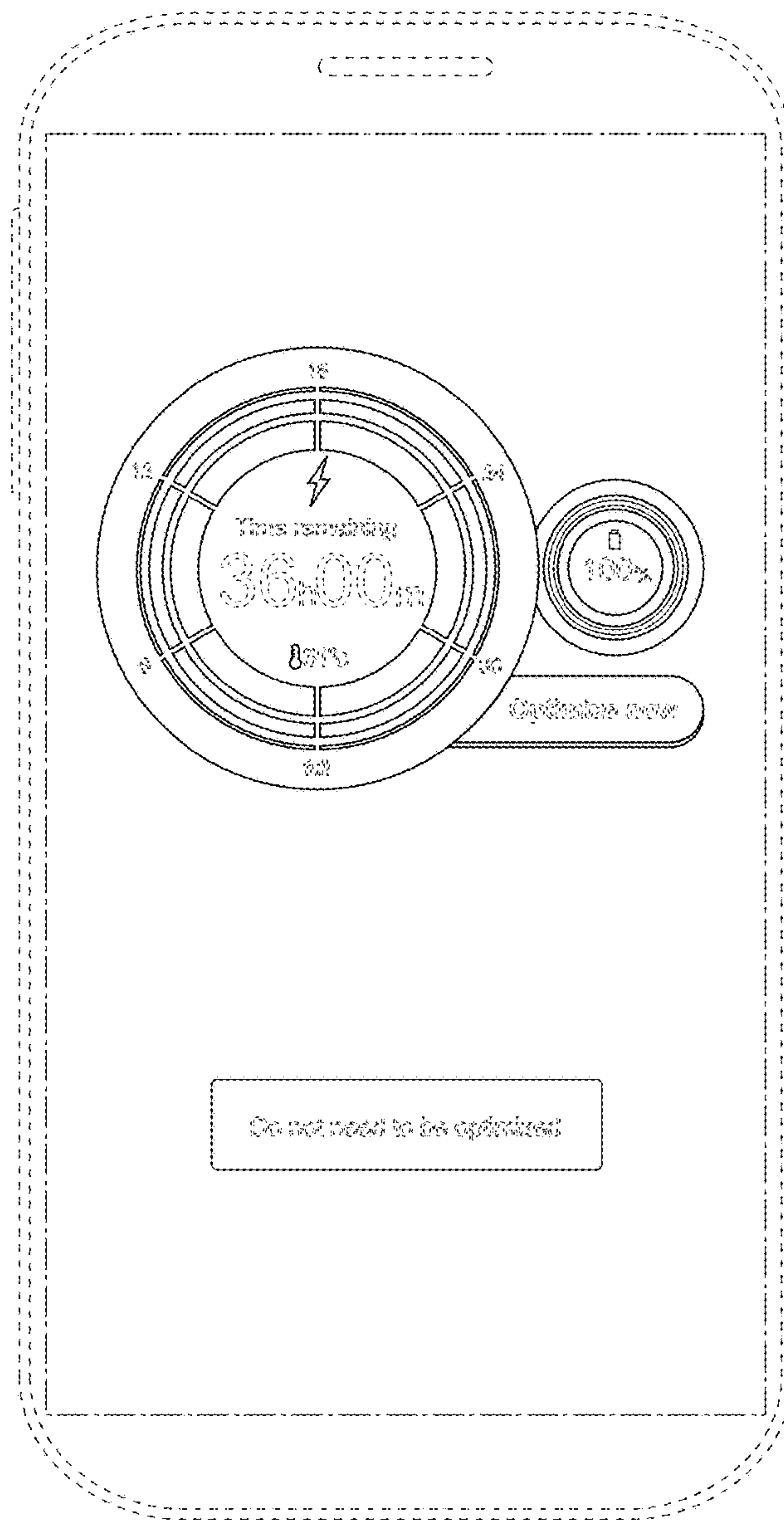


FIG. 5