



US00D858539S

(12) **United States Design Patent** (10) **Patent No.:** **US D858,539 S**  
**Shivaji-Rao** (45) **Date of Patent:** **\*\* \*Sep. 3, 2019**

(54) **DISPLAY SCREEN OR PORTION THEREOF WITH GRAPHICAL USER INTERFACE**

*Primary Examiner* — Cathron C Brooks  
*Assistant Examiner* — Christian P. McLean  
(74) *Attorney, Agent, or Firm* — Theodore Heske, III

(71) Applicant: **Nanolumens Acquisition, Inc.**,  
Norcross, GA (US)

(72) Inventor: **Vishnu Shivaji-Rao**, Somerset, NJ  
(US)

(57) **CLAIM**

(73) Assignee: **Nanolumens Acquisition, Inc.**,  
Norcross, GA (US)

The ornamental design for a display screen or portion thereof with graphical user interface, as shown and described.

(\* ) Notice: This patent is subject to a terminal disclaimer.

(\*\*) Term: **15 Years**

(21) Appl. No.: **29/619,451**

(22) Filed: **Sep. 29, 2017**

**DESCRIPTION**

**Related U.S. Application Data**

(63) Continuation of application No. 29/570,525, filed on Jul. 8, 2016, now Pat. No. Des. 816,097.

The patent or application file contains at least one drawing executed in color. Copies of this patent or patent application publication with color drawing(s) will be provided by the Office upon request and payment of the necessary fee.

(51) **LOC (12) Cl.** ..... **14-04**

FIG. 1 is a front view of a display screen or portion thereof with a graphical user interface showing the new design;

(52) **U.S. Cl.**  
USPC ..... **D14/485**

In another embodiment, FIG. 2 is a front view of a display screen or portion thereof with a graphical user interface showing the new design;

(58) **Field of Classification Search**  
USPC .... D14/485–495; 345/1.1, 1.2, 2.1–2.3, 3.1, 345/902; 715/763, 810, 836, 837, 846, 715/847, 977; D10/15, 21, 24, 25, 128  
CPC .... G06F 3/048; G06F 3/0481; G06F 3/04812; G06F 3/04817; G06F 3/0482; G06F 3/0483; G06F 3/0484; G06F 3/04847; G06F 3/0485; G06F 3/04855; G06F 3/04886;

In another embodiment, FIG. 3 is a front view of a display screen or portion thereof with a graphical user interface showing the new design;

In another embodiment, FIG. 4 is a front view of a display screen or portion thereof with a graphical user interface showing the new design;

In another embodiment, FIG. 5 is a front view of a display screen or portion thereof with a graphical user interface showing the new design; and,

In another embodiment, FIG. 6 is a front view of a display screen or portion thereof with a graphical user interface showing the new design.

In the figures, the outer most broken lines illustrate a display screen or portion thereof and form no part of the claimed design. The remaining broken lines, illustrating portions of the graphical user interface, form no part of the claimed design.

(Continued)

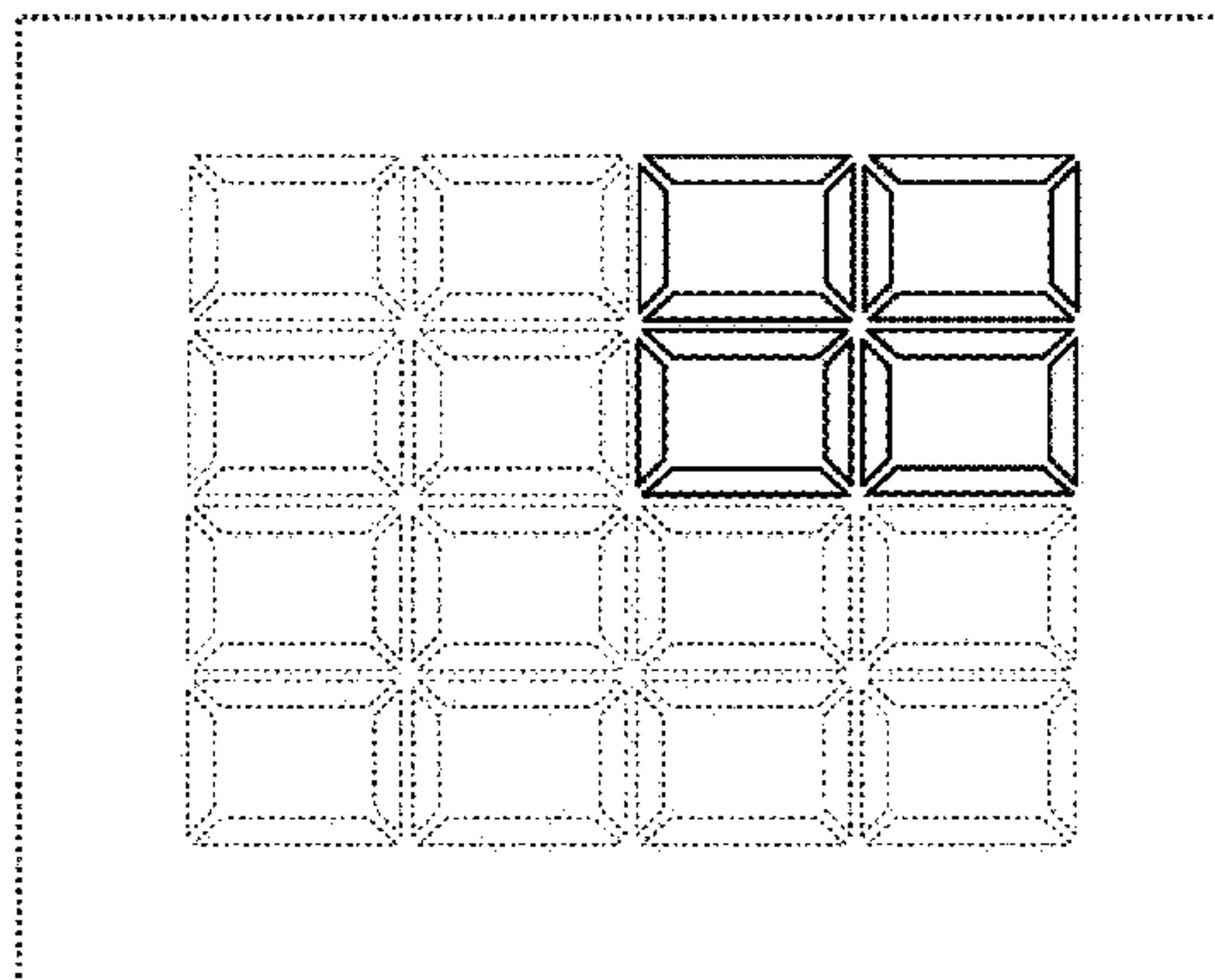
(56) **References Cited**

**U.S. PATENT DOCUMENTS**

D400,519 S \* 11/1998 Marshall, Jr. .... D14/486  
D401,230 S 11/1998 Marshall, Jr.

(Continued)

**1 Claim, 3 Drawing Sheets**  
**(3 of 3 Drawing Sheet(s) Filed in Color)**



(58) **Field of Classification Search**

CPC ..... G06Q 30/00; H03J 1/00; H03J 1/0008;  
 H03J 1/0016; H03J 1/0025; H04N 5/00;  
 H04N 5/08; H04N 5/14; H04N 5/222;  
 H04N 5/225; H04N 5/232; H04N 5/445;  
 H04N 5/44543; H04N 5/45; H04N  
 2005/44517; H04N 2005/44521; H04N  
 2005/44526; H04N 2005/4453; H04N  
 2005/44534; H04N 2005/44539; H04N  
 2005/44547; H04N 2005/44556; H04N  
 2005/4456; H04N 2005/44565; H04N  
 2005/44569; H04N 2005/44573; H04N  
 21/00; H04N 21/234; H04N 21/431;  
 H04N 21/4312; H04N 21/4314; H04N  
 21/4316

See application file for complete search history.

(56) **References Cited**

U.S. PATENT DOCUMENTS

5,940,078 A \* 8/1999 Nagarajayya ..... G06F 3/04817  
 715/835  
 D580,448 S \* 11/2008 Jasinski ..... D14/486  
 D664,549 S 7/2012 Gleasman  
 D689,062 S 9/2013 Ikeda  
 D689,504 S \* 9/2013 Ikeda ..... D14/485  
 D690,318 S 9/2013 Kluttz  
 D708,083 S \* 7/2014 Nardo ..... D10/102  
 D745,563 S \* 12/2015 Lee ..... D14/492  
 D745,887 S \* 12/2015 Lee ..... D14/489  
 D745,889 S \* 12/2015 Jung ..... D14/492  
 D746,326 S \* 12/2015 Phelan ..... D14/489  
 D750,116 S 2/2016 Kim

D751,116 S 3/2016 Park  
 D751,603 S 3/2016 Park  
 D758,380 S 6/2016 Park  
 D758,426 S 6/2016 Park  
 D762,239 S \* 7/2016 Seo ..... D14/488  
 D762,687 S 8/2016 Campiranon  
 D765,727 S \* 9/2016 Shin ..... D14/489  
 D775,156 S 12/2016 Perach  
 D788,162 S 5/2017 Kim  
 D799,498 S \* 10/2017 Graham ..... D14/485  
 D808,996 S \* 1/2018 Ambielli ..... D14/486  
 D813,882 S \* 3/2018 Shivaji-Rao ..... D14/485  
 D816,097 S \* 4/2018 Shivaji-Rao ..... D14/485  
 D831,064 S \* 10/2018 Shivaji-Rao ..... D14/488  
 D841,688 S \* 2/2019 Shivaji-Rao ..... D14/488  
 D845,966 S \* 4/2019 Shivaji-Rao ..... D14/485  
 2007/0200791 A1 \* 8/2007 Meyers ..... G06F 3/1446  
 345/1.1  
 2010/0022276 A1 \* 1/2010 Park ..... G06F 3/0482  
 455/566  
 2010/0070919 A1 \* 3/2010 Araumi ..... G06F 16/168  
 715/810  
 2011/0083108 A1 4/2011 Klein  
 2011/0105187 A1 \* 5/2011 Dobroth ..... G06F 3/0481  
 455/566  
 2012/0272186 A1 \* 10/2012 Kraut ..... G06F 3/0488  
 715/810  
 2013/0254714 A1 \* 9/2013 Shin ..... G06F 3/0482  
 715/810  
 2015/0047014 A1 2/2015 Yoon  
 2015/0295967 A1 \* 10/2015 Glazer ..... H04L 65/604  
 709/219  
 2016/0092091 A1 \* 3/2016 Hanson ..... G06F 17/248  
 715/763

\* cited by examiner

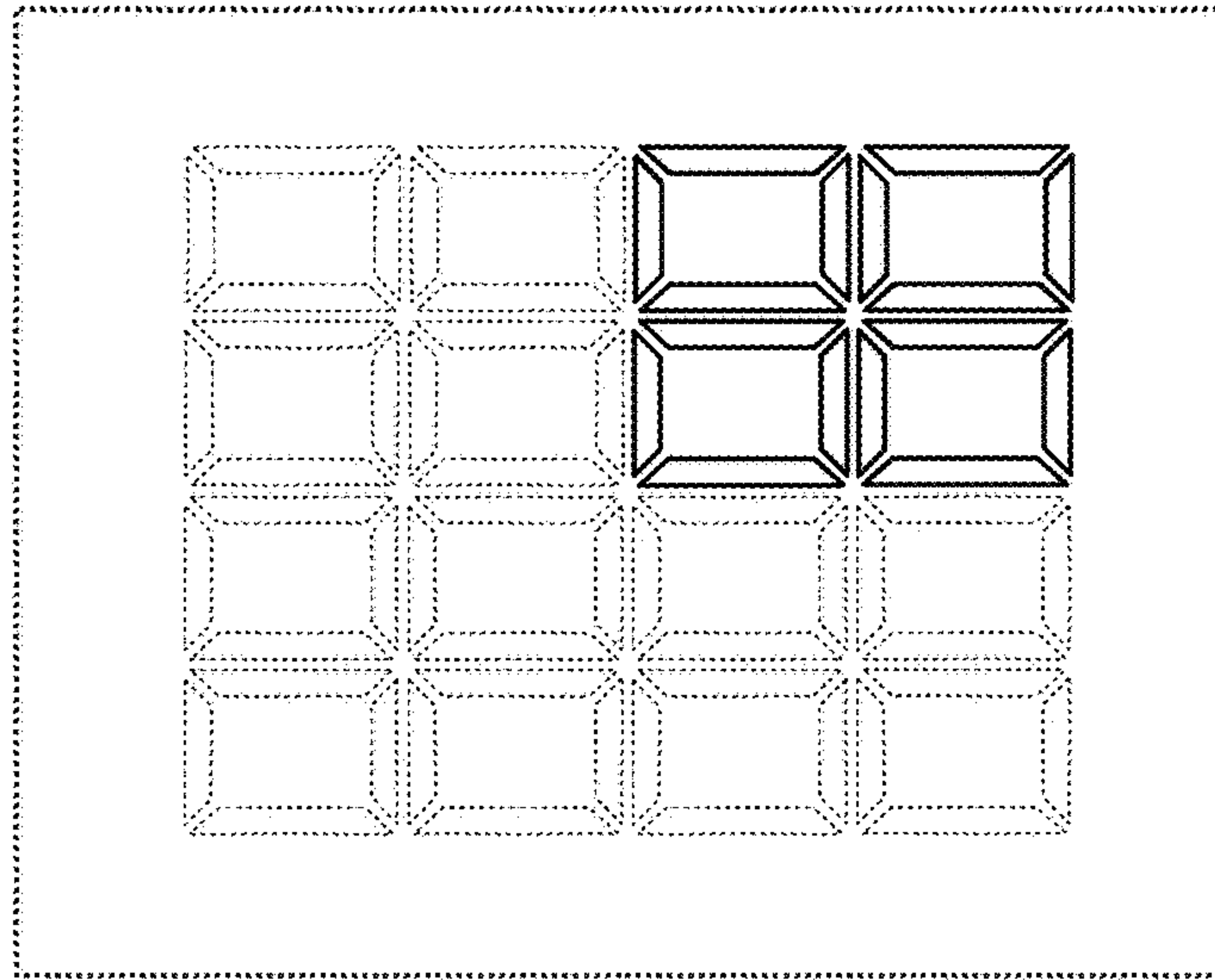


FIG 1

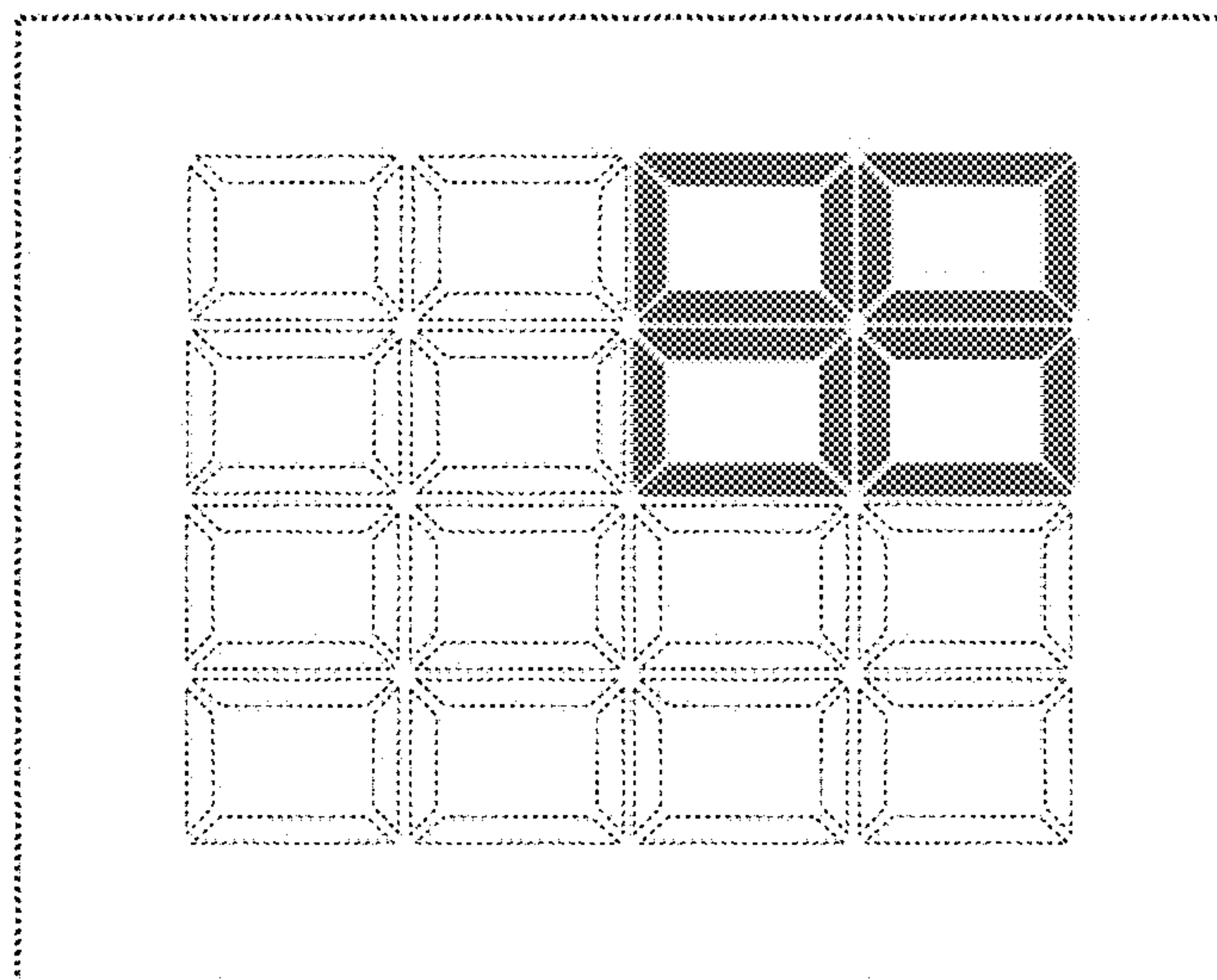


FIG 2



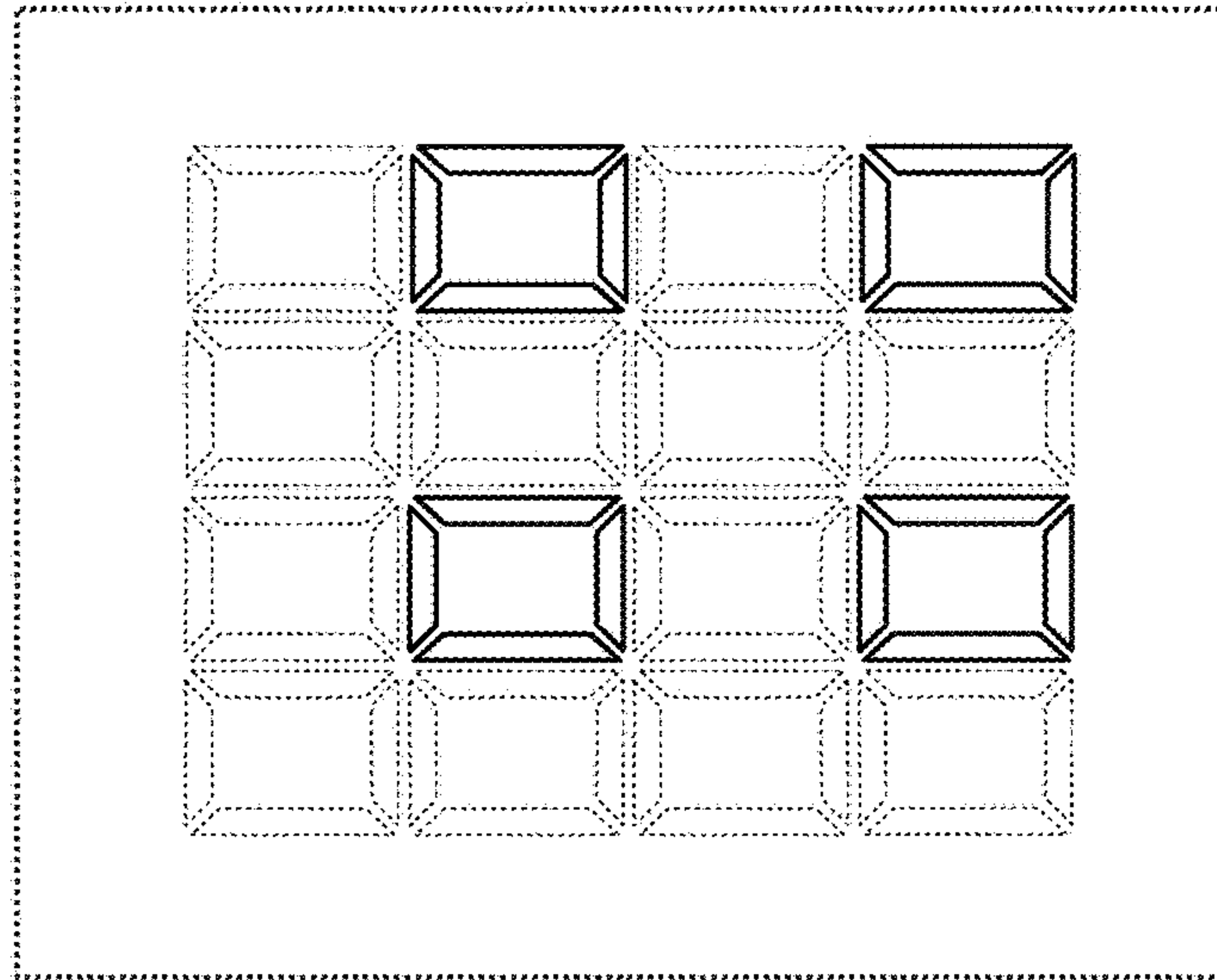


FIG 3

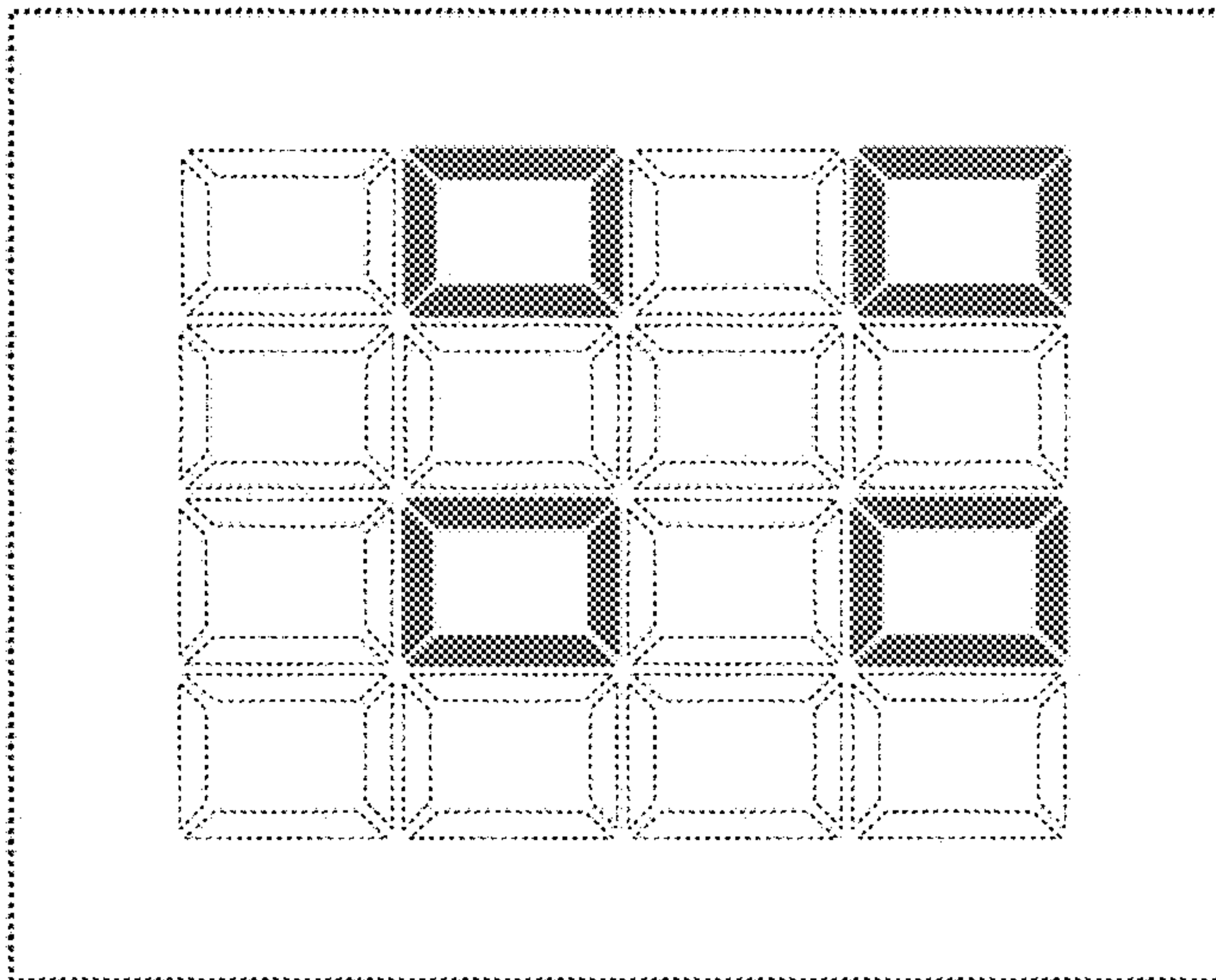


FIG 4

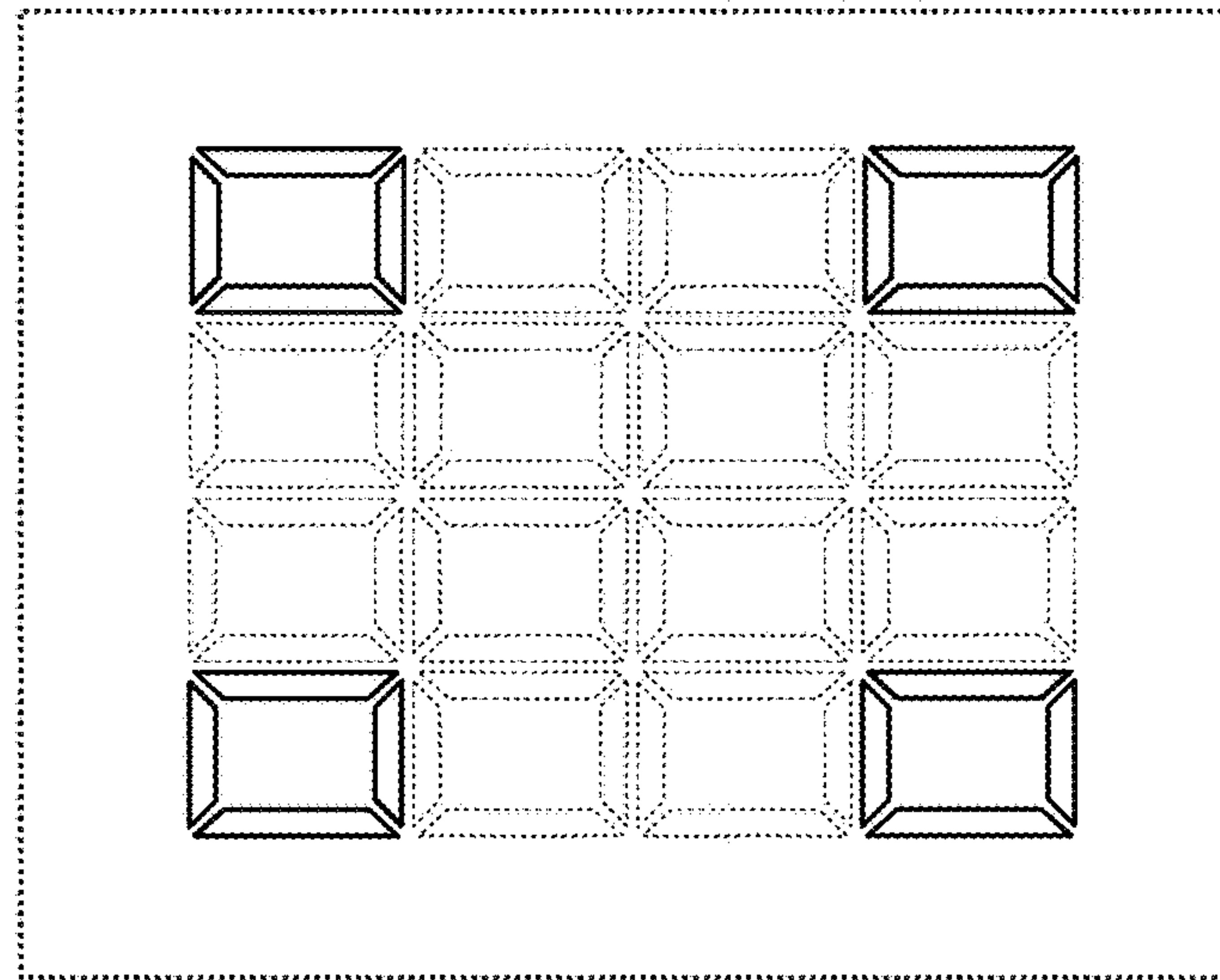


FIG 5

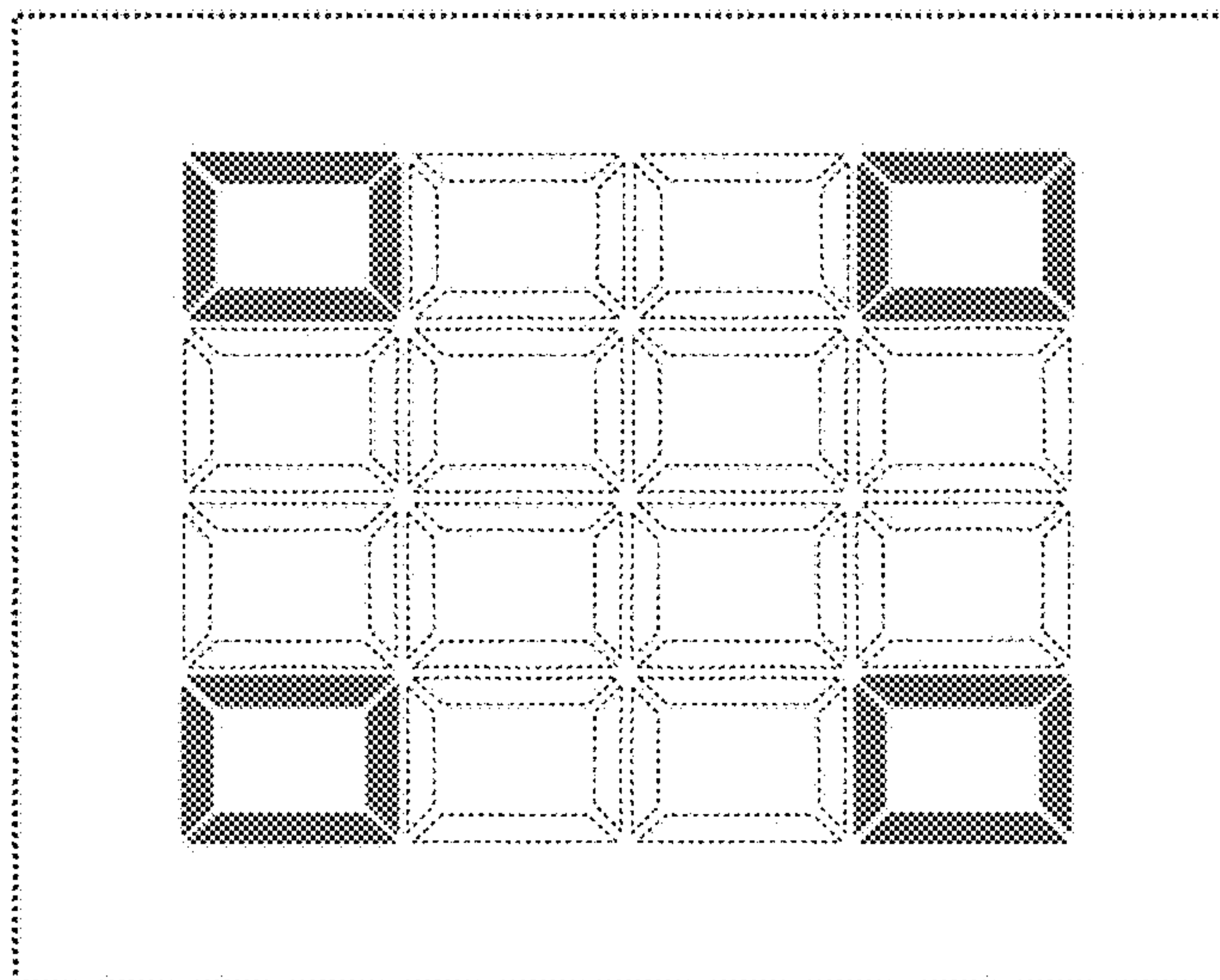


FIG 6