



US00D858537S

(12) **United States Design Patent** (10) **Patent No.:** **US D858,537 S**
Esselstrom et al. (45) **Date of Patent:** **** *Sep. 3, 2019**

(54) **DISPLAY SYSTEM WITH A VIRTUAL THREE-DIMENSIONAL GRAPHICAL USER INTERFACE**

(71) Applicant: **Microsoft Corporation**, Redmond, WA (US)

(72) Inventors: **Tyler Paul Esselstrom**, Seattle, WA (US); **Joseph Wheeler**, Sammamish, WA (US); **Giancarlo Lari**, Seattle, WA (US); **Nando Costa**, Yarrow Point, WA (US); **Anthony J. Giardini**, Seattle, WA (US); **Craig R. Maitlen**, Woodinville, WA (US)

(73) Assignee: **Microsoft Corporation**, Redmond, WA (US)

(*) Notice: This patent is subject to a terminal disclaimer.

(**) Term: **15 Years**

(21) Appl. No.: **29/599,259**

(22) Filed: **Mar. 31, 2017**

(51) **LOC (12) Cl.** **14-04**

(52) **U.S. Cl.**
USPC **D14/485**

(58) **Field of Classification Search**
USPC D14/485-495
CPC G06T 13/20; G06T 19/20; G06T 2200/24; G06F 3/04815
See application file for complete search history.

(56) **References Cited**

U.S. PATENT DOCUMENTS

- 5,880,733 A * 3/1999 Horvitz G06F 3/04815 715/850
- 6,198,483 B1 3/2001 Launais
- 6,909,443 B1 * 6/2005 Robertson G06F 3/0481 715/782

- 6,922,815 B2 7/2005 Rosen
- D635,986 S 4/2011 Mays et al.
- D681,044 S 4/2013 Sakata
- D689,873 S 9/2013 Brinda et al.
- D695,755 S * 12/2013 Hwang D14/485
- D697,079 S 1/2014 Yuk et al.
- D719,183 S 12/2014 Kuwahara
- D745,036 S 12/2015 Joynes
- D745,048 S 12/2015 Anderson et al.
- D747,328 S 1/2016 Erickson et al.

(Continued)

OTHER PUBLICATIONS

“Notice of Allowance Issued in U.S. Appl. No. 29/599,257”, dated Jul. 26, 2018, 14 Pages. (MS# 401531-US-DP).

(Continued)

Primary Examiner — Richelle G Shelton

(74) *Attorney, Agent, or Firm* — Banner & Witcoff, Ltd.

(57) **CLAIM**

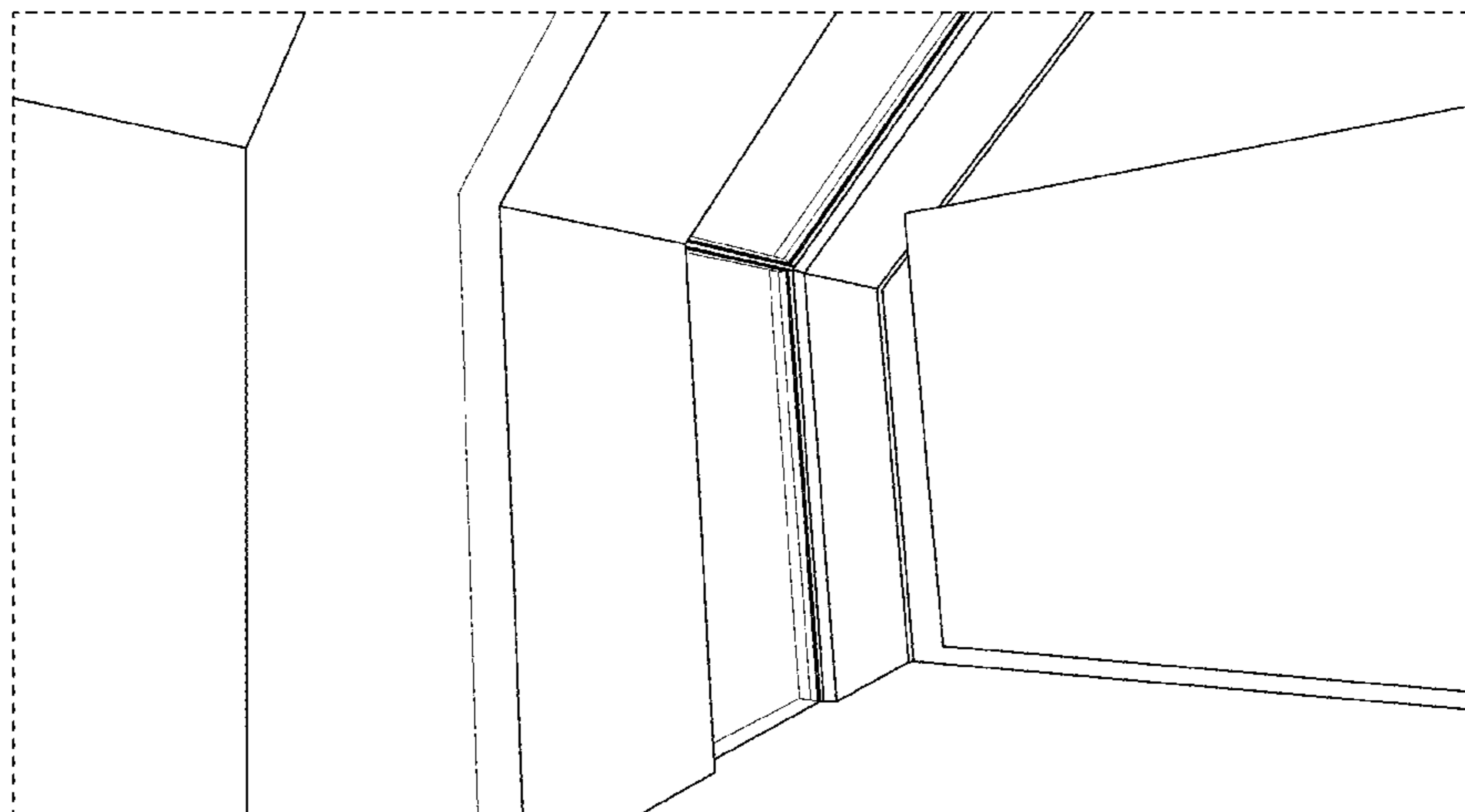
The ornamental design for a display system with a virtual three-dimensional graphical user interface, as shown and described.

DESCRIPTION

FIG. 1 shows a display system with a virtual three-dimensional graphical user interface shown in a first orientation; FIG. 2 shows a second orientation thereof; FIG. 3 shows a third orientation thereof; FIG. 4 shows a fourth orientation thereof; and, FIG. 5 shows a fifth orientation thereof.

The outermost broken line represents the field of view for the visual display and forms no part of the claimed design. The broken lines showing three icons in FIGS. 2-4 form no part of the claimed design. The graphical user interface in FIGS. 1-5 is shown in various orientations to provide an understanding of the three-dimensional appearance of the design.

1 Claim, 5 Drawing Sheets



(56)

References Cited

U.S. PATENT DOCUMENTS

D748,650 S 2/2016 Moon et al.
 D748,652 S 2/2016 Moon et al.
 D748,653 S 2/2016 Moon et al.
 D748,654 S 2/2016 Moon et al.
 D748,656 S 2/2016 Moon et al.
 D749,099 S 2/2016 Moon et al.
 D749,100 S 2/2016 Moon et al.
 D749,102 S 2/2016 Moon et al.
 D749,607 S 2/2016 Moon et al.
 D751,092 S 3/2016 Moon et al.
 D751,093 S 3/2016 Moon et al.
 D751,094 S 3/2016 Moon et al.
 D751,095 S 3/2016 Moon et al.
 D751,096 S 3/2016 Moon et al.
 D752,636 S 3/2016 Yoon et al.
 D754,153 S 4/2016 Moon et al.
 D754,155 S 4/2016 Moon et al.
 D754,156 S 4/2016 Moon et al.
 D754,157 S 4/2016 Moon et al.
 D754,158 S 4/2016 Moon et al.
 D755,203 S 5/2016 Johnson et al.
 D760,265 S 6/2016 Yao et al.
 D761,284 S 7/2016 Nguyen et al.
 D761,816 S 7/2016 Kobetz et al.
 D763,899 S 8/2016 Lee

D766,328 S 9/2016 Lee et al.
 D766,329 S 9/2016 Lee et al.
 D768,163 S 10/2016 Holl
 D769,895 S 10/2016 Na et al.
 D771,071 S 11/2016 Rosenthal
 D775,174 S 12/2016 Chen et al.
 D775,175 S 12/2016 Chen et al.
 D777,734 S 1/2017 Hsu
 D785,642 S 5/2017 Woo et al.
 D786,289 S 5/2017 Kim et al.
 D797,767 S * 9/2017 Esselstrom D14/485
 2004/0066411 A1 4/2004 Fung et al.
 2009/0083627 A1 3/2009 Onda et al.
 2010/0180227 A1 7/2010 Diallo
 2012/0197439 A1* 8/2012 Wang B25J 9/1689
 700/259
 2014/0337749 A1 11/2014 Phang et al.
 2014/0337773 A1 11/2014 Phang et al.
 2015/0085058 A1 3/2015 Zhang et al.
 2016/0005229 A1* 1/2016 Lee G06F 3/0488
 345/419

OTHER PUBLICATIONS

“Ex Parte Quayle Action Issued in U.S. Appl. No. 29/599,263”,
 Mailed Date: Nov. 16, 2018, 6 Pages. (MS# 401533-US-DP).

* cited by examiner

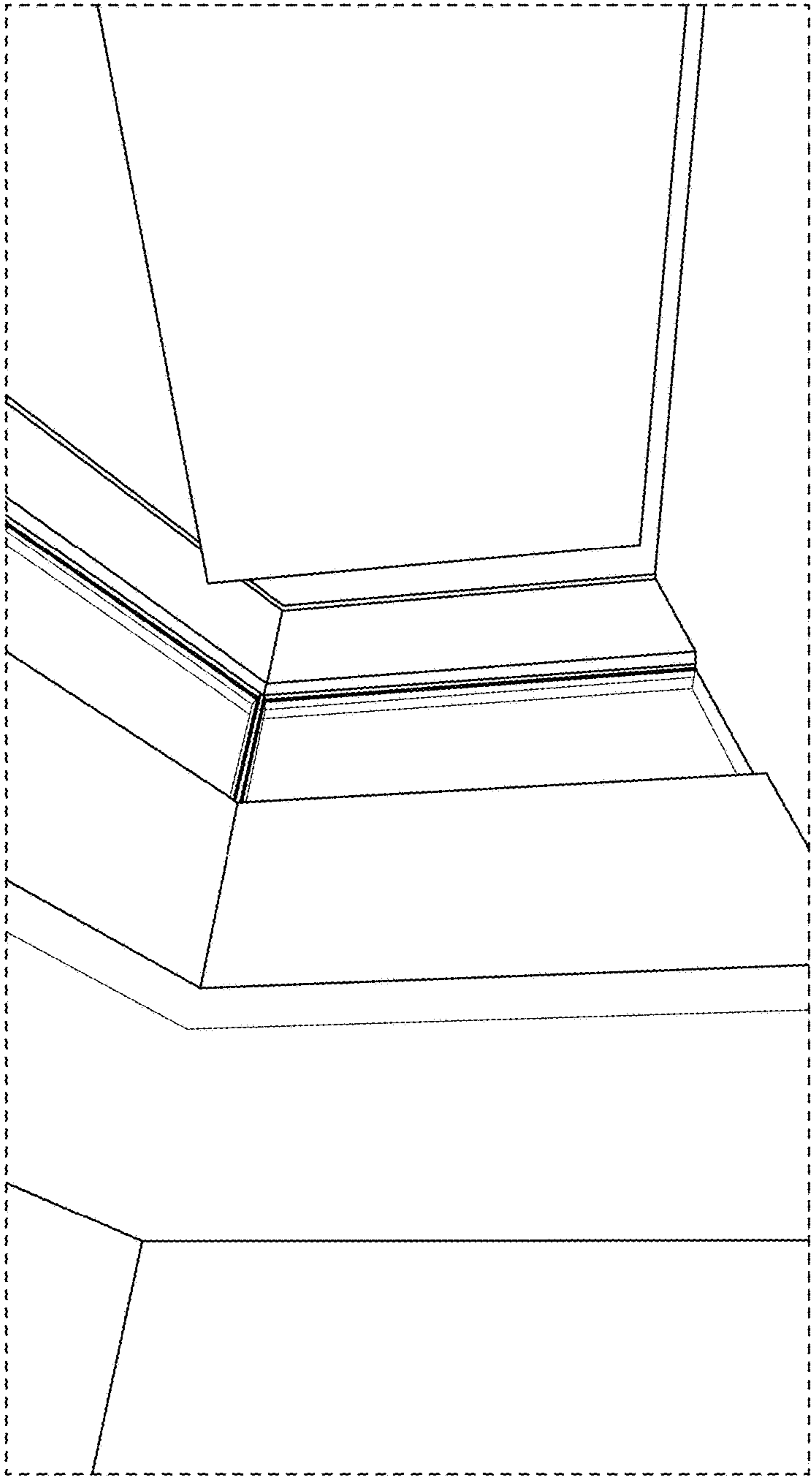


FIG. 1

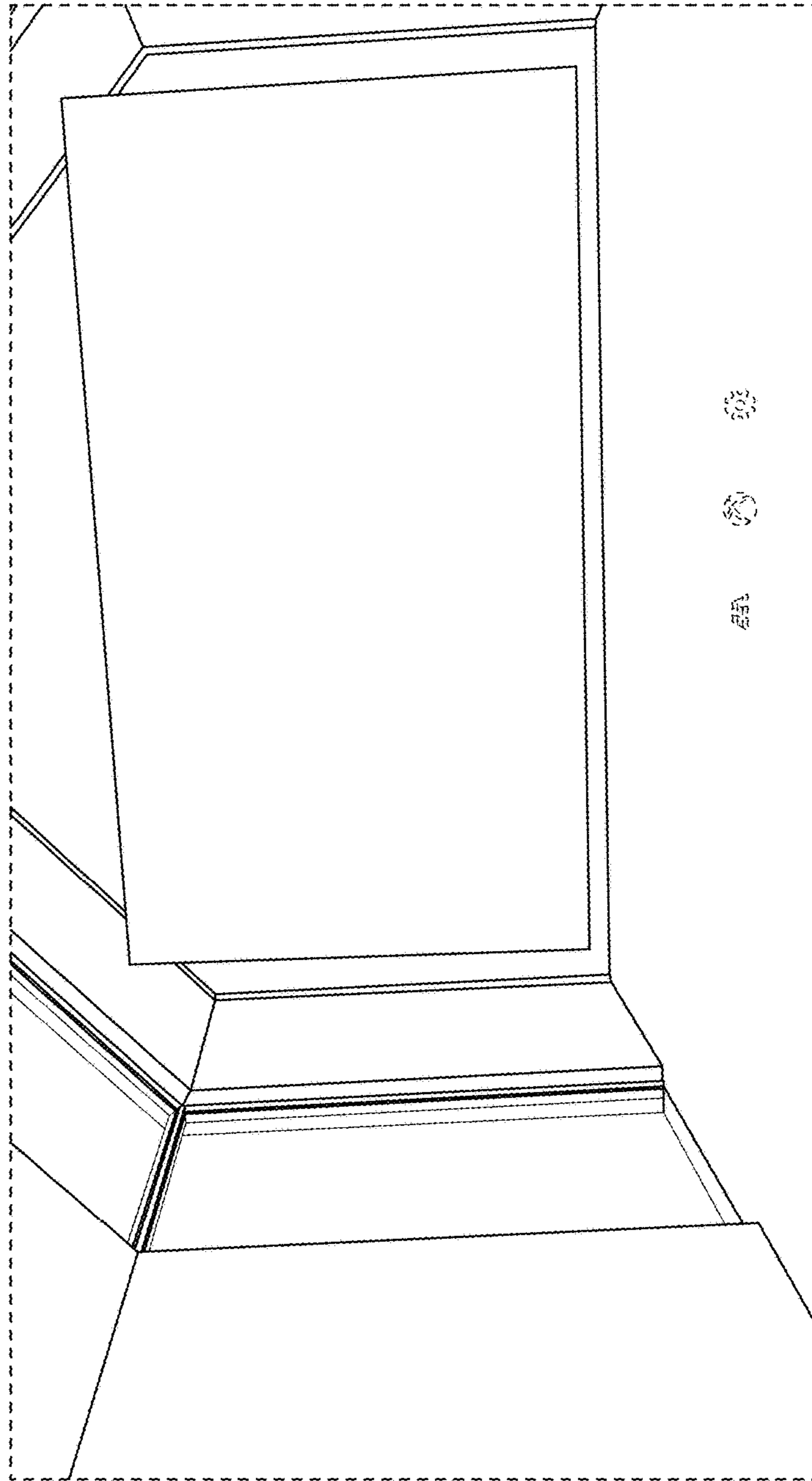


FIG. 2

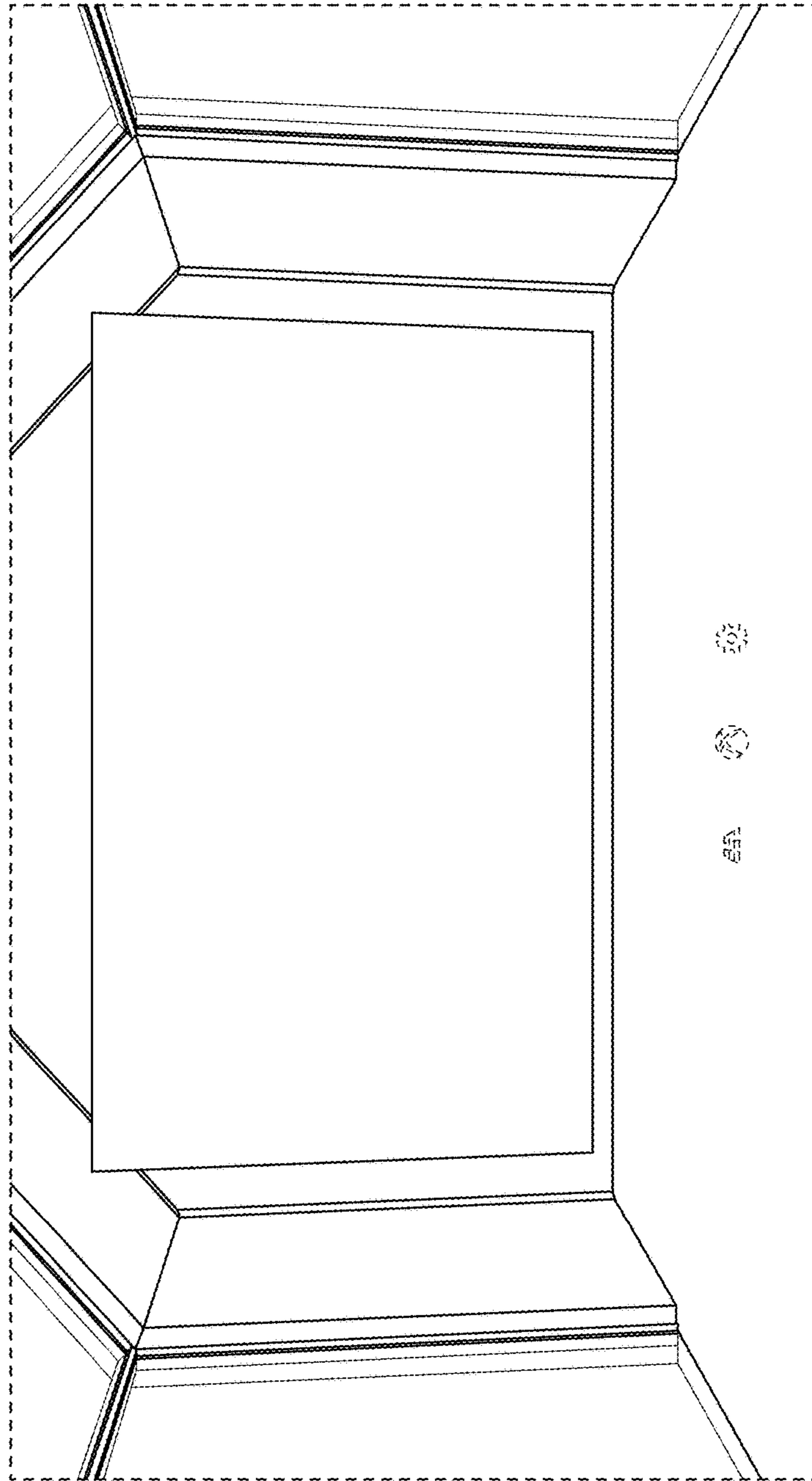


FIG. 3

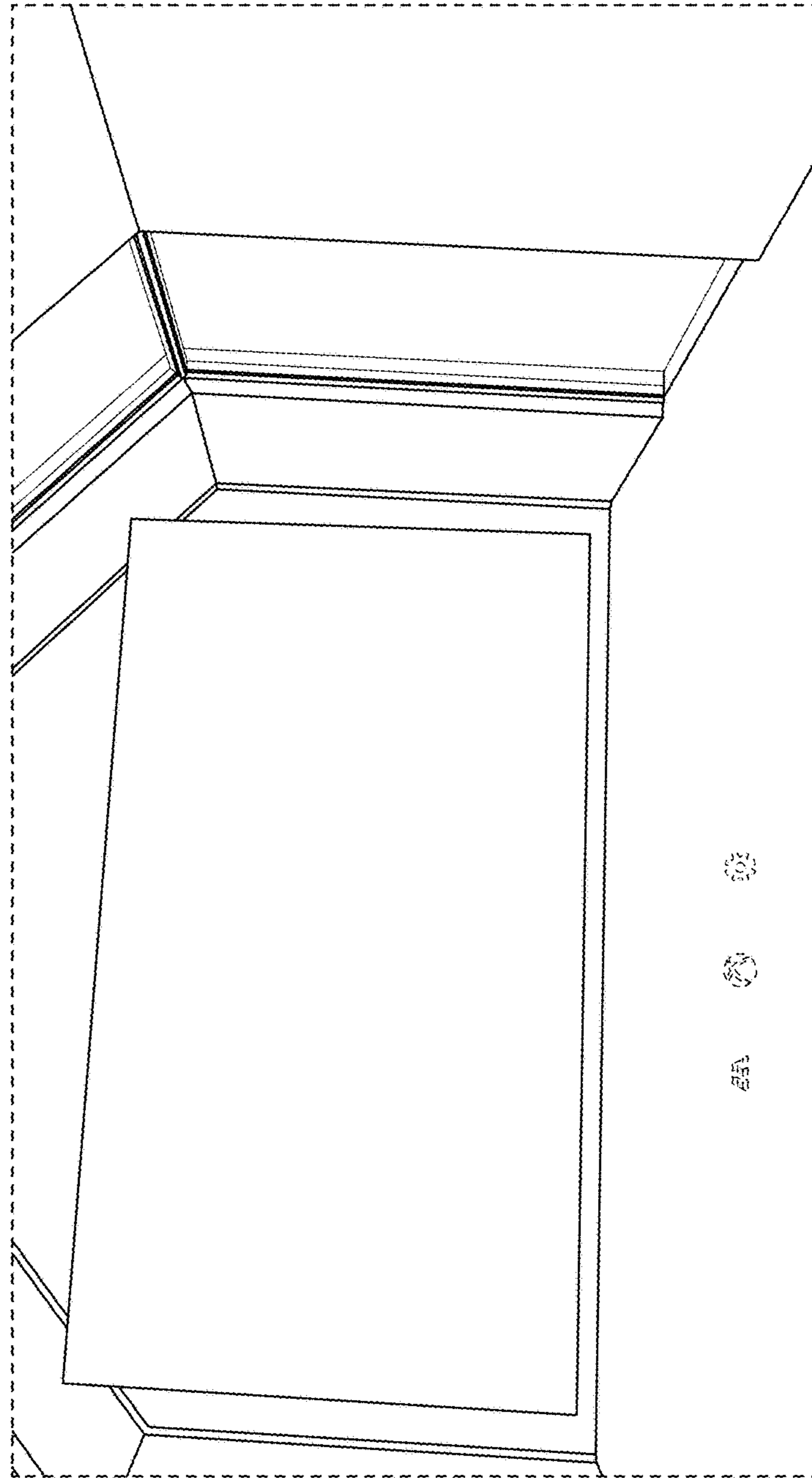


FIG. 4

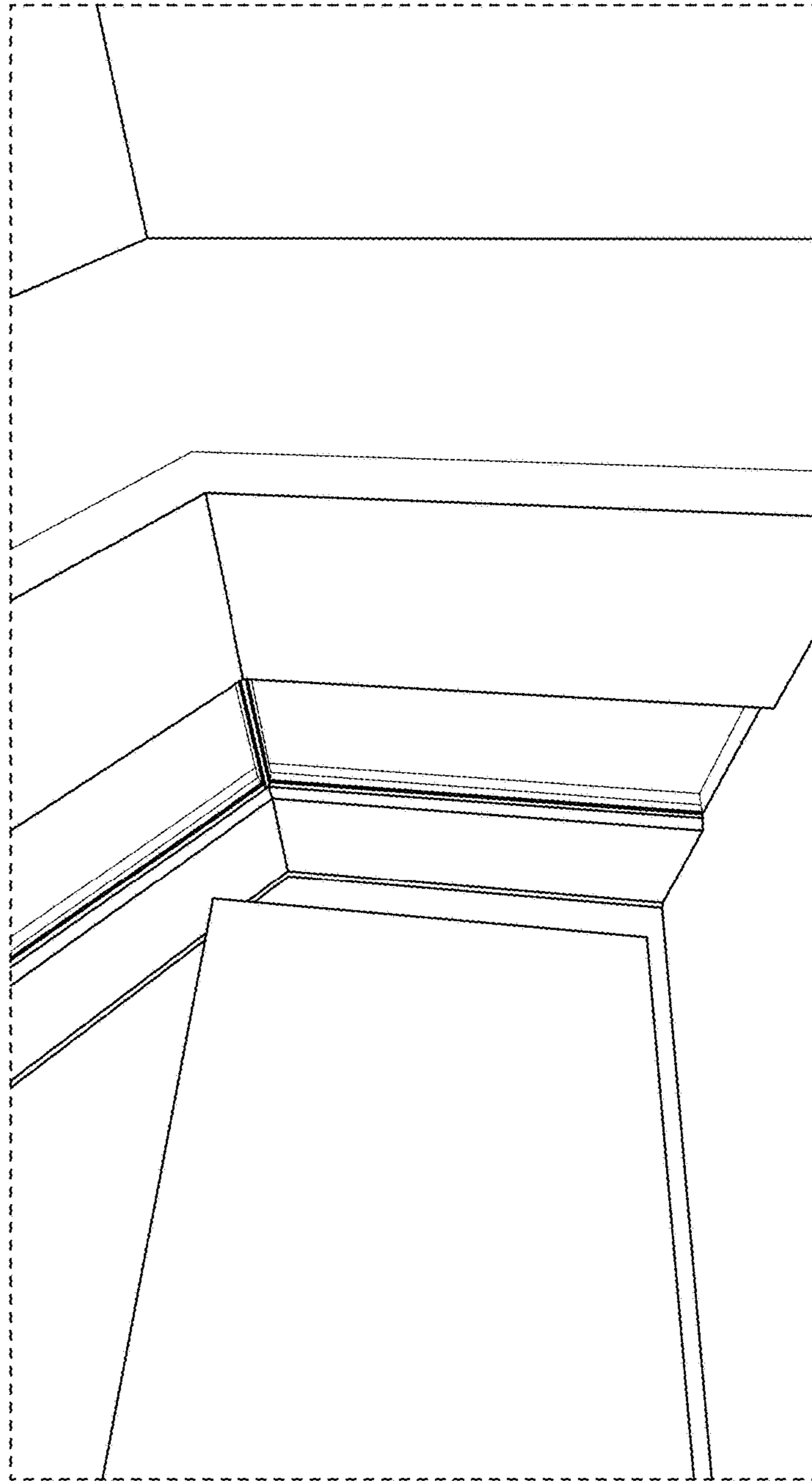


FIG. 5