



US00D858535S

(12) **United States Design Patent** (10) **Patent No.:** **US D858,535 S**
Evans et al. (45) **Date of Patent:** **** Sep. 3, 2019**

(54) **DISPLAY SCREEN OR PORTION THEREOF WITH GRAPHICAL USER INTERFACE**

Primary Examiner — Shannon W Morgan
(74) *Attorney, Agent, or Firm* — Edell, Shapiro & Finnan, LLC

(71) Applicant: **THE ESAB GROUP INC.**, Florence, SC (US)

(72) Inventors: **Daryll Scott Evans**, Winchester, VA (US); **Mark Lowther**, Warrington (GB); **Cristiano Magalhães Campos Ferreira**, Belo Horizonte (BR); **Lee Roy Mantell**, Essex, MD (US); **Xia Chen**, Clarksville, MD (US)

(57) **CLAIM**

The ornamental design for a display screen or portion thereof with graphical user interface, as shown and described.

(73) Assignee: **The ESAB Group Inc.**, Florence, SC (US)

DESCRIPTION

(**) Term: **15 Years**

FIG. 1 is a first embodiment of a front view of display screen or portion thereof with graphical user interface showing our new design;

(21) Appl. No.: **29/586,619**

FIG. 2 is a front view of a second embodiment thereof;

(22) Filed: **Dec. 6, 2016**

FIG. 3 is a front view of a third embodiment thereof;

Related U.S. Application Data

FIG. 4 is a front view of a fourth embodiment thereof;

(62) Division of application No. 29/508,564, filed on Nov. 7, 2014, now Pat. No. Des. 791,782.

FIG. 5 is a front view of a fifth embodiment thereof;

(51) **LOC (12) Cl.** **14-04**

FIG. 6 is a front view of a sixth embodiment thereof;

(52) **U.S. Cl.**
USPC **D14/485**

FIG. 7 is a front view of a seventh embodiment thereof;

(58) **Field of Classification Search**
USPC D14/485-495
CPC .. G06F 3/0481; G06F 3/0482; G06F 3/04817;
G06F 3/04883; G06F 3/04815; G06F
3/0485; G06F 3/04886
See application file for complete search history.

FIG. 8 is a front view of an eighth embodiment thereof;

(56) **References Cited**

FIG. 9 is a front view of a ninth embodiment thereof;

U.S. PATENT DOCUMENTS

FIG. 10 is a front view of a tenth embodiment thereof;

D456,028 S 4/2002 Sakata
D505,135 S 5/2005 Sapp
D534,541 S 1/2007 Retuta
D545,842 S 7/2007 Hong

FIG. 11 is a front view of an eleventh embodiment thereof;

(Continued)

FIG. 12 is a front view of a twelfth embodiment thereof;

FIG. 13 is a front view of a thirteenth embodiment thereof;

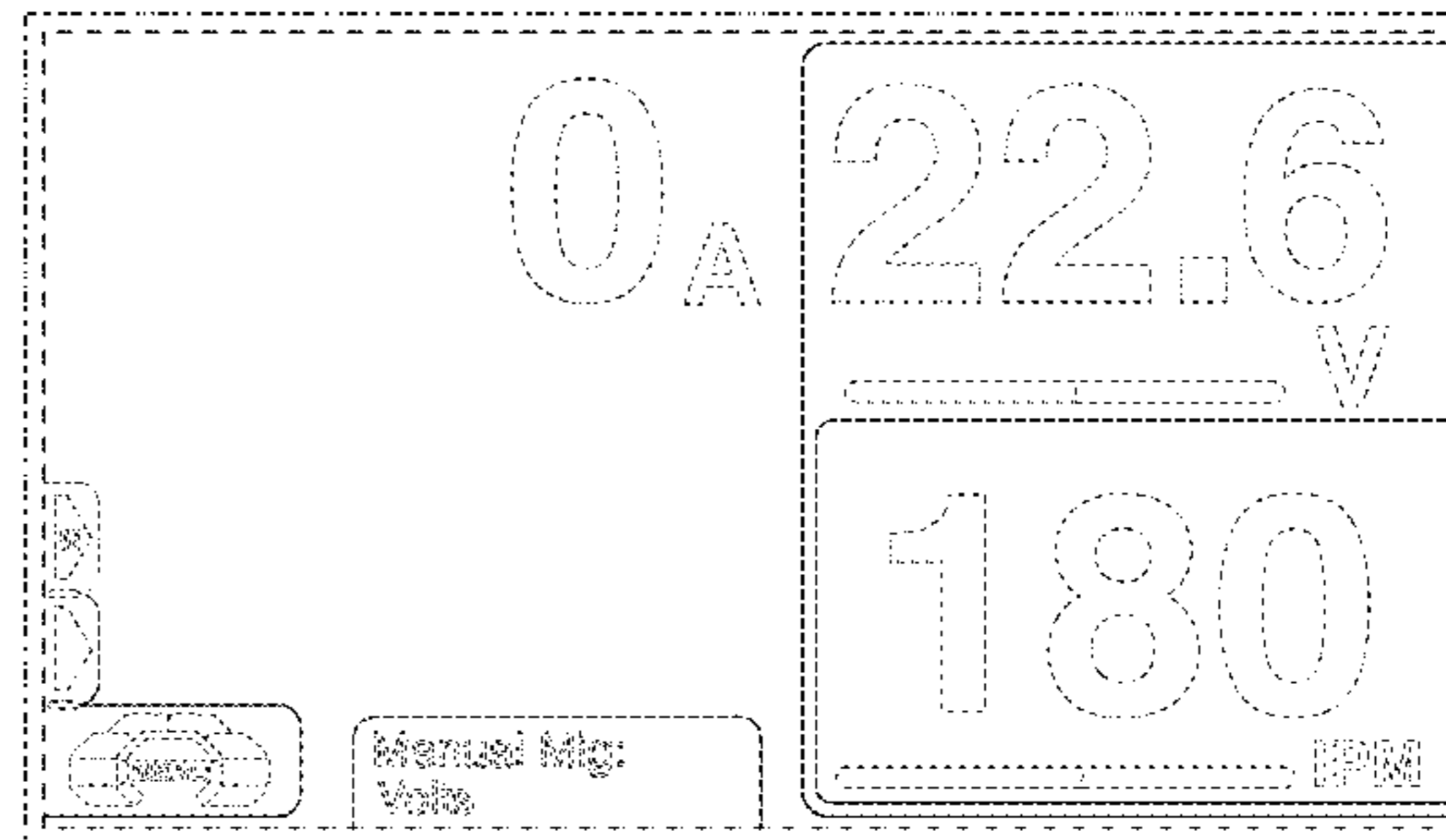
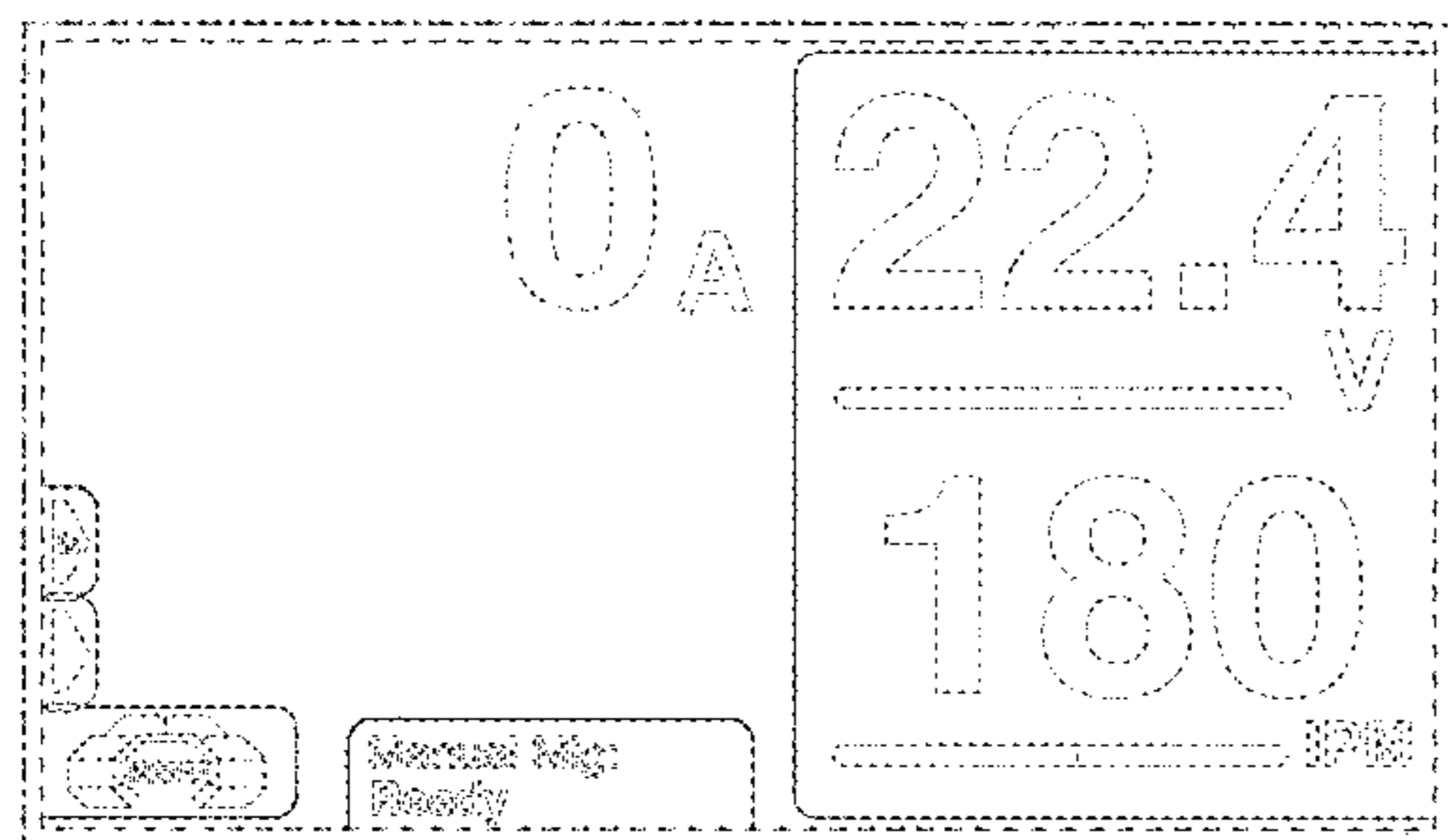
FIG. 14 is a front view of a fourteenth embodiment thereof;

FIG. 15 is a front view of a fifteenth embodiment thereof; and,

FIG. 16 is a front view of a sixteenth embodiment thereof.

The long dash, short dash broken lines in the figures depict a display screen or portion thereof and form no part of the claimed design. The remaining short dash, short dash broken lines depict graphical user interface and form no part of the claimed design.

1 Claim, 9 Drawing Sheets



(56)

References Cited

U.S. PATENT DOCUMENTS

D606,081 S 12/2009 Parker
 D622,733 S 8/2010 Lal
 D625,328 S 10/2010 Fitzmaurice
 D628,580 S 12/2010 Pearson
 D630,644 S 1/2011 Wilson
 D699,747 S 2/2014 Pearson
 D702,251 S 4/2014 Kotler
 D711,904 S 8/2014 Sundy
 D711,905 S 8/2014 Morrison
 D752,079 S * 3/2016 Sikkema D14/486
 D752,084 S 3/2016 Xie
 D757,776 S 5/2016 Blank
 D760,275 S * 6/2016 Zhang D14/488
 D760,729 S 7/2016 Cole
 D760,763 S 7/2016 Adolph
 D761,810 S 7/2016 Lee
 D762,225 S 7/2016 Cao
 D768,191 S 10/2016 Do
 D780,786 S * 3/2017 Toth D14/486
 D807,902 S * 1/2018 Cong D14/486
 D807,907 S * 1/2018 Dellinger D14/486
 D820,292 S * 6/2018 Mander D14/486
 D820,849 S * 6/2018 Chang D14/485
 D821,422 S * 6/2018 Lucas D14/486

D822,042 S * 7/2018 Pinzon Garcia D14/486
 D822,696 S * 7/2018 Iketsuki D14/486
 D823,313 S * 7/2018 Corallini D14/485
 D823,334 S * 7/2018 Stringham D14/486
 D823,338 S * 7/2018 Alonso Ruiz D14/488
 D823,881 S * 7/2018 Pintus D14/486
 D823,882 S * 7/2018 Gill D14/487
 D829,735 S * 10/2018 Stringham D14/486
 2010/0133008 A1 * 6/2010 Gawski E21B 7/04
 175/45
 2011/0001605 A1 * 1/2011 Kiani G06F 19/3418
 340/5.6
 2011/0302558 A1 12/2011 Brilliant
 2014/0232273 A1 * 8/2014 Sasaki G06F 3/04817
 315/131
 2015/0205476 A1 * 7/2015 Kuscher G06F 3/0485
 715/784
 2015/0205490 A1 * 7/2015 Nordstrom G06F 3/04842
 715/739
 2015/0205950 A1 * 7/2015 Vayvod G06F 9/44505
 726/30
 2015/0212697 A1 * 7/2015 Nordstrom G06F 3/04842
 715/256
 2016/0132227 A1 5/2016 Evans
 2017/0357389 A1 * 12/2017 Fleizach G06F 3/0482

* cited by examiner

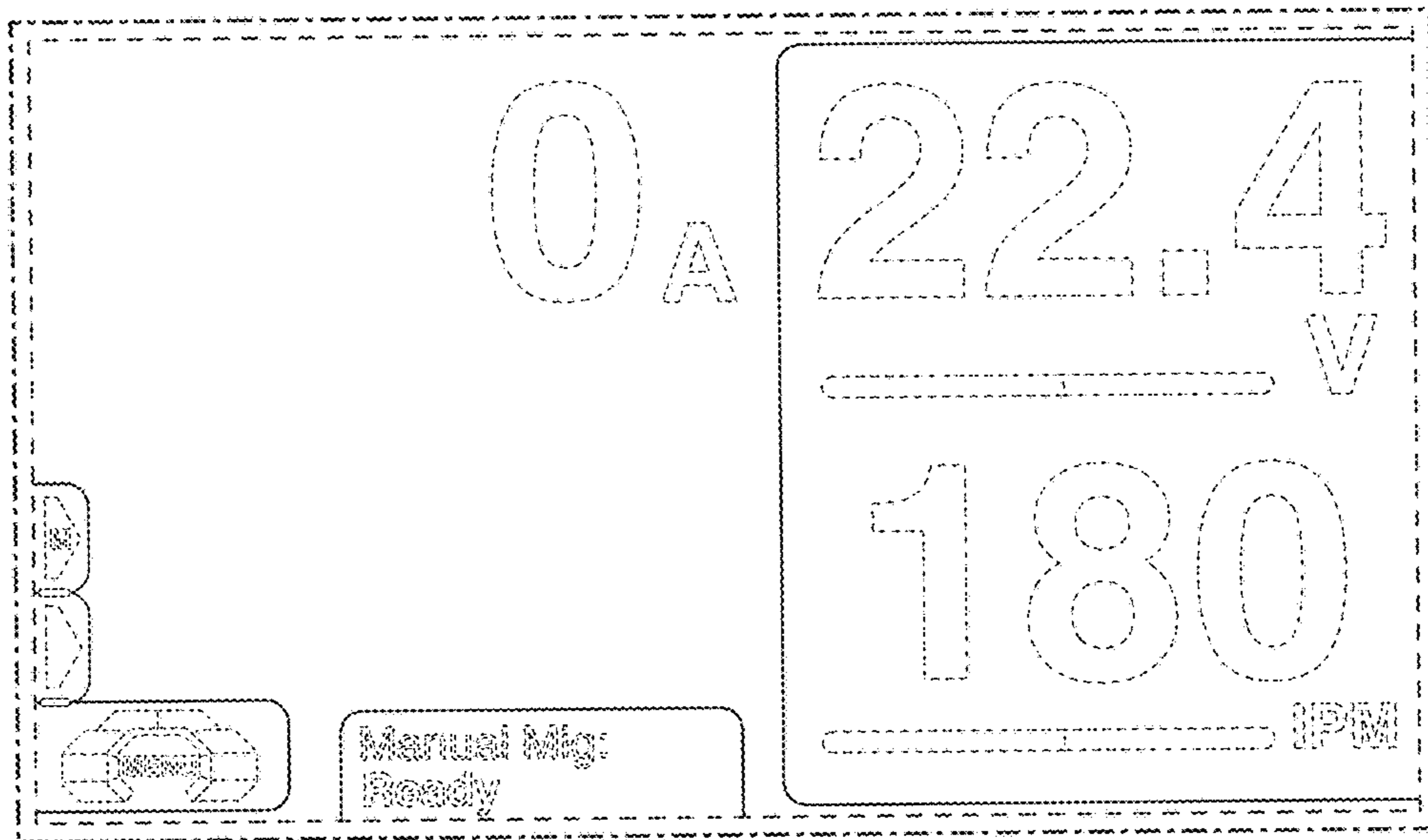


FIG. 1

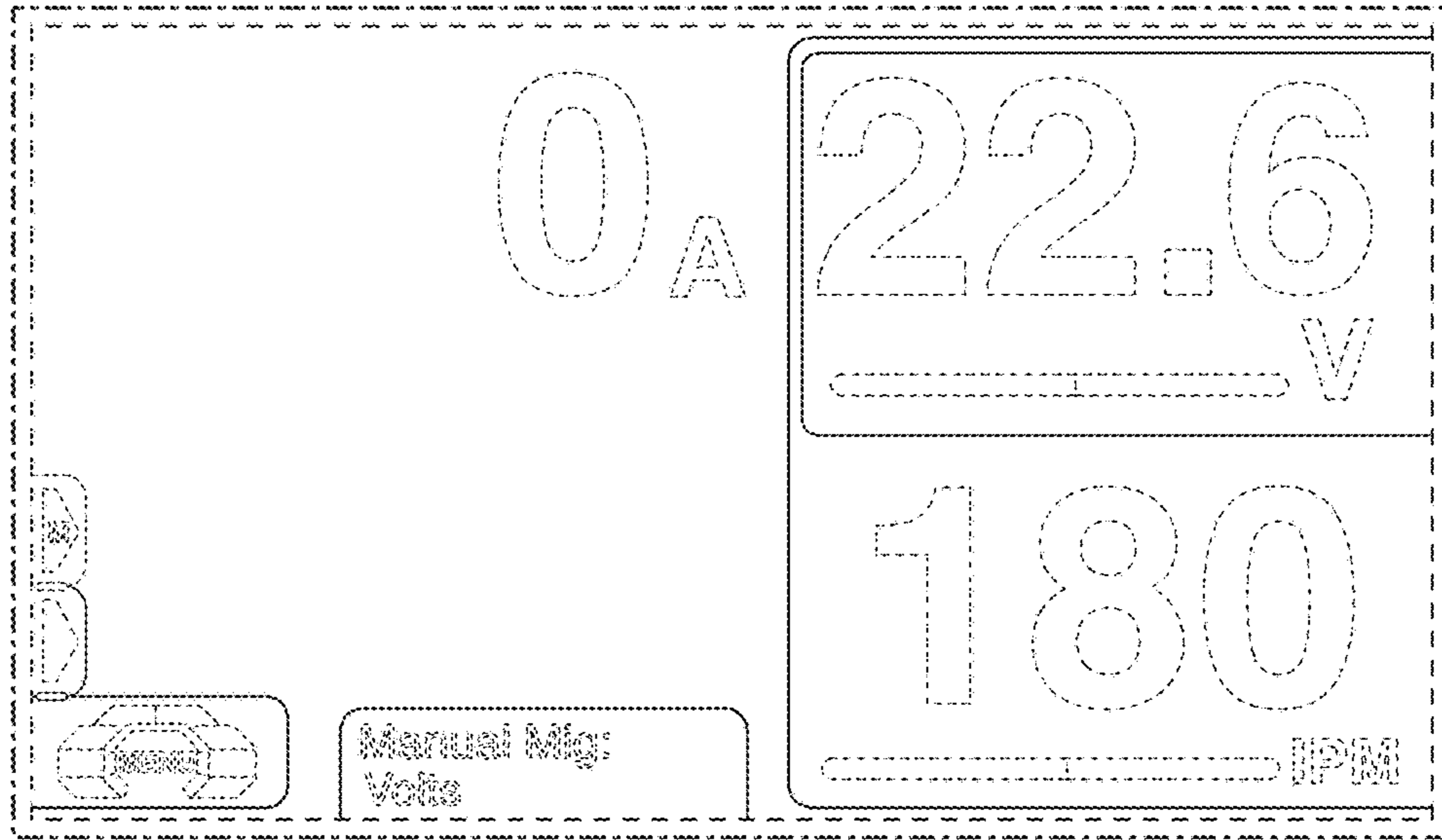


FIG. 2

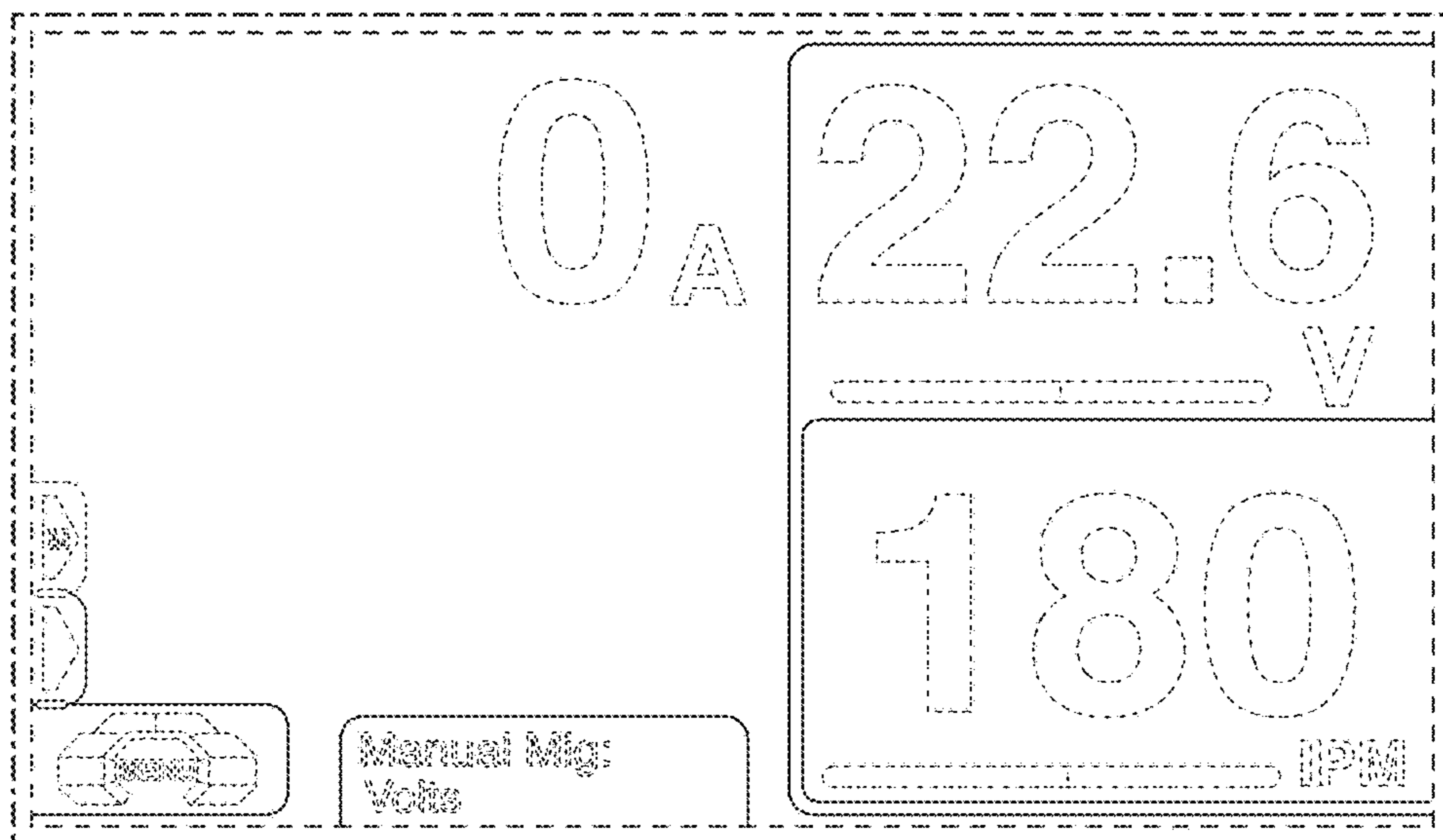


FIG. 3

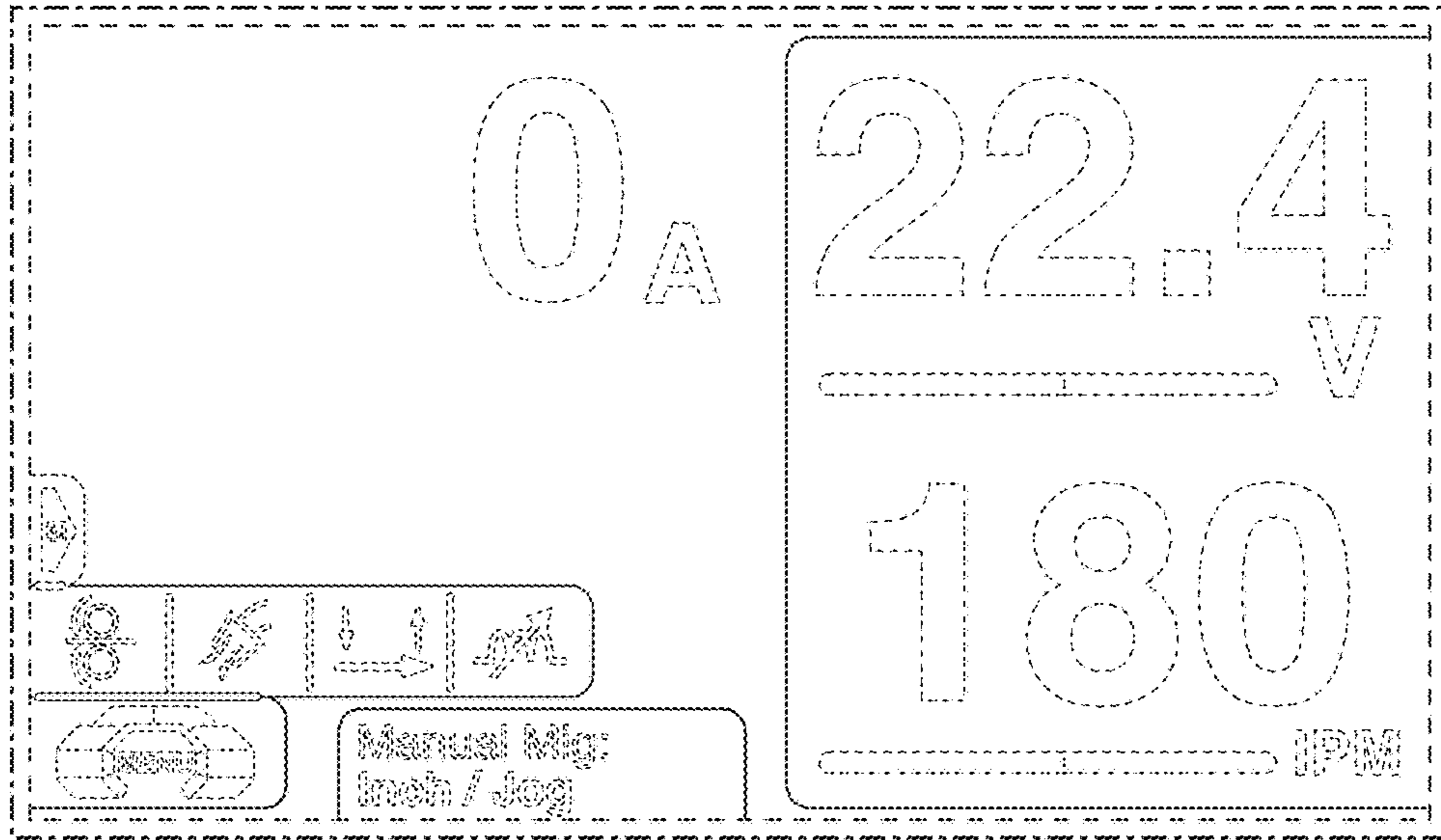


FIG. 4

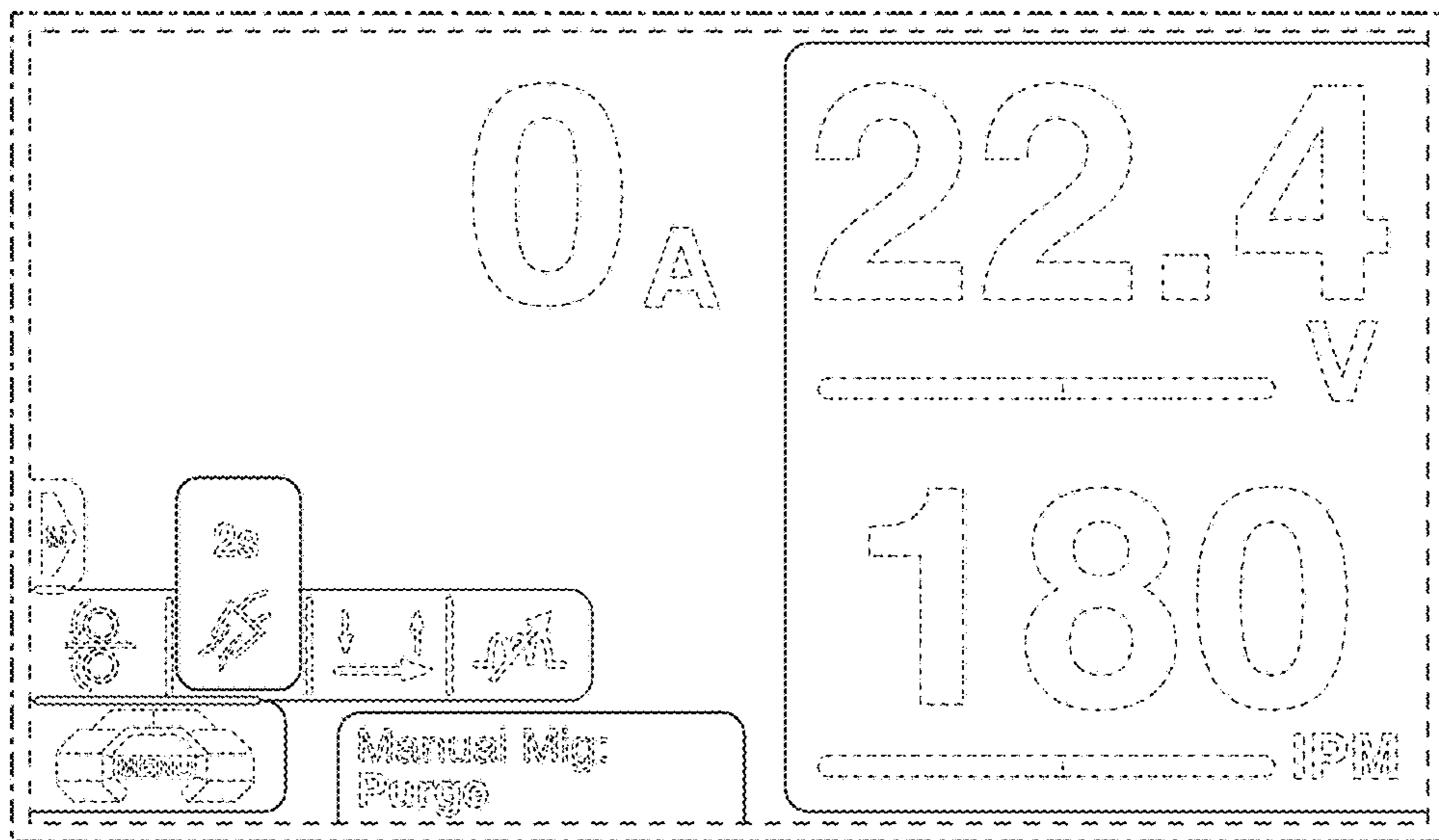


FIG. 5

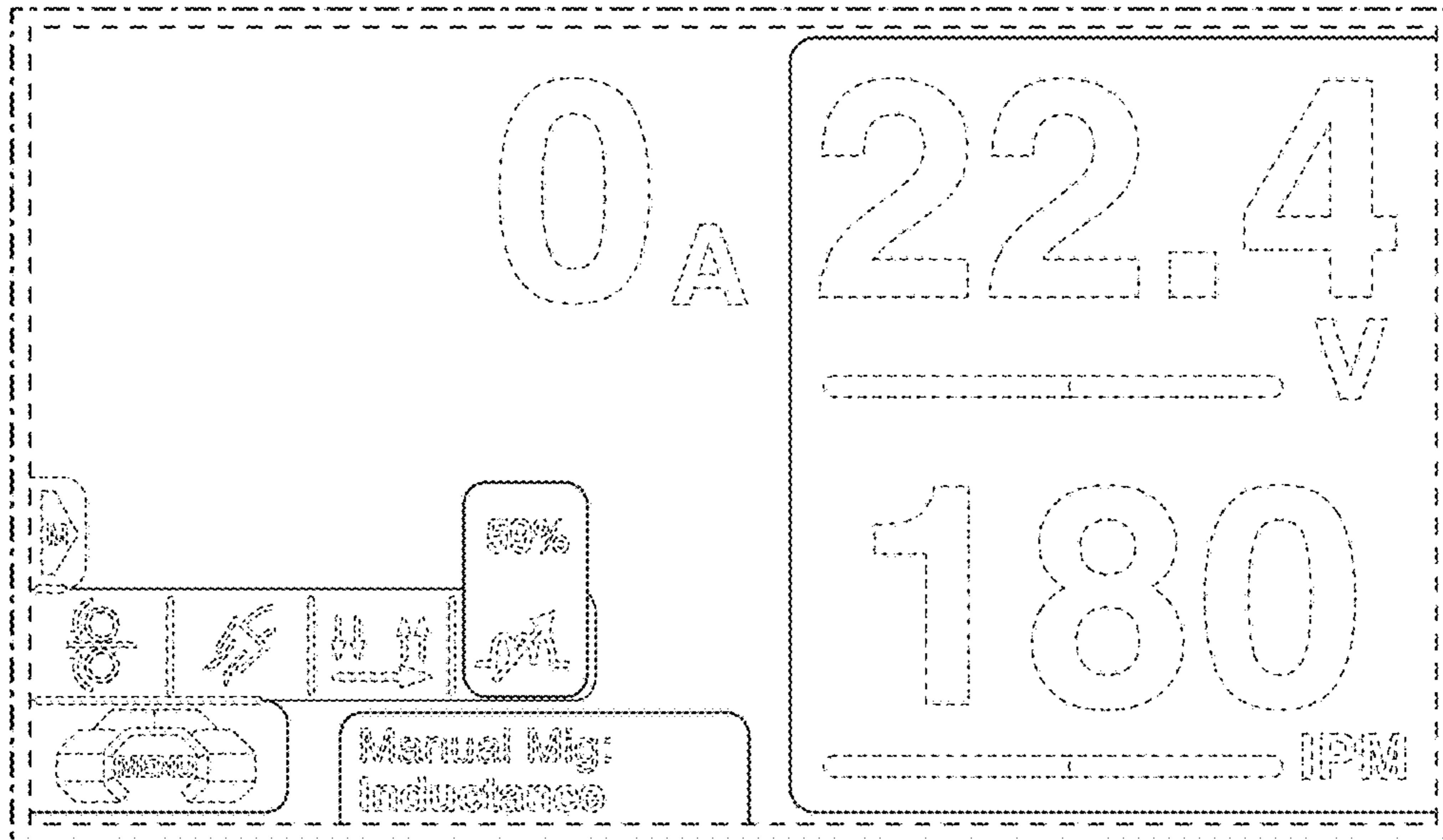


FIG. 6

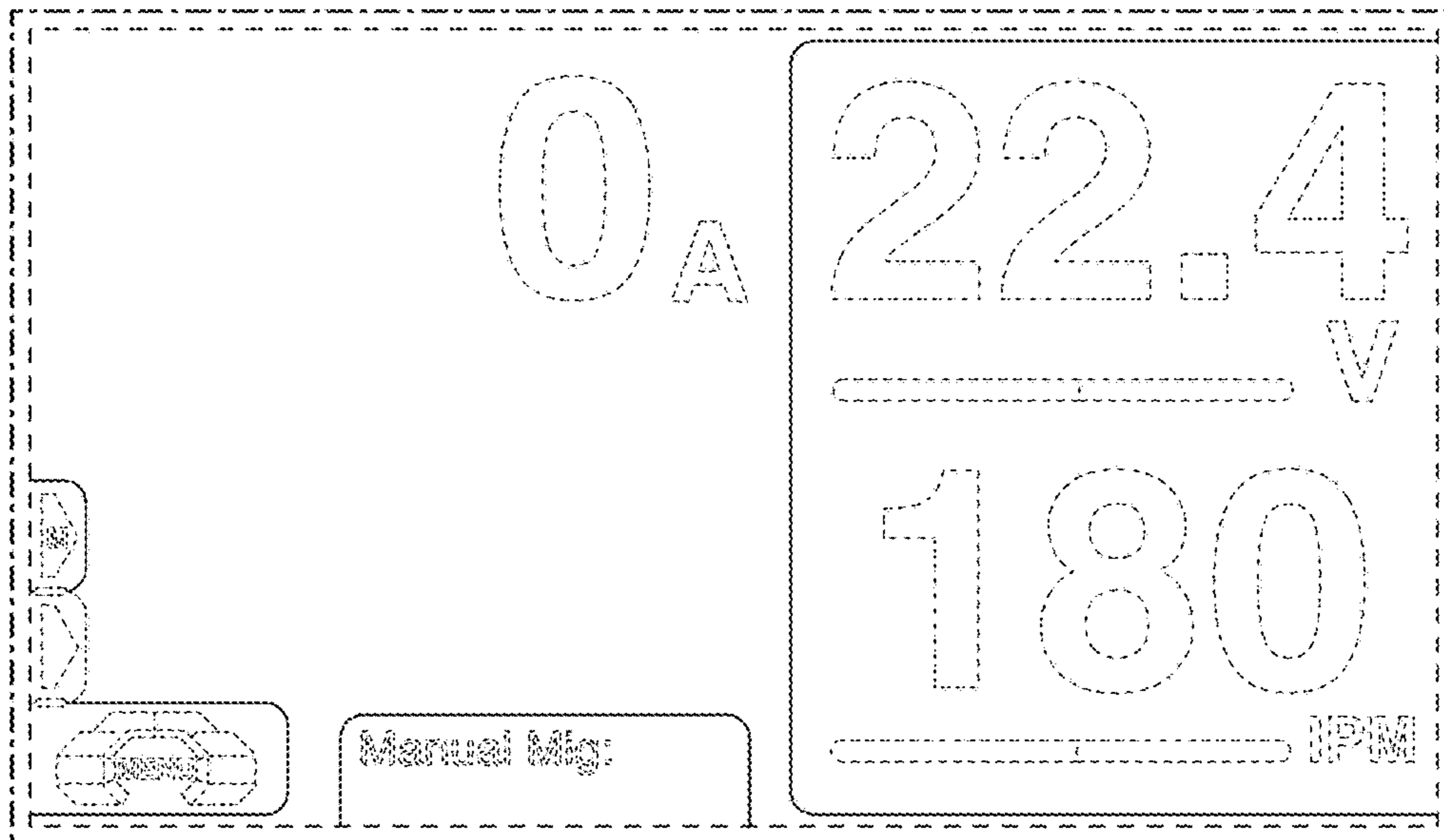


FIG. 7

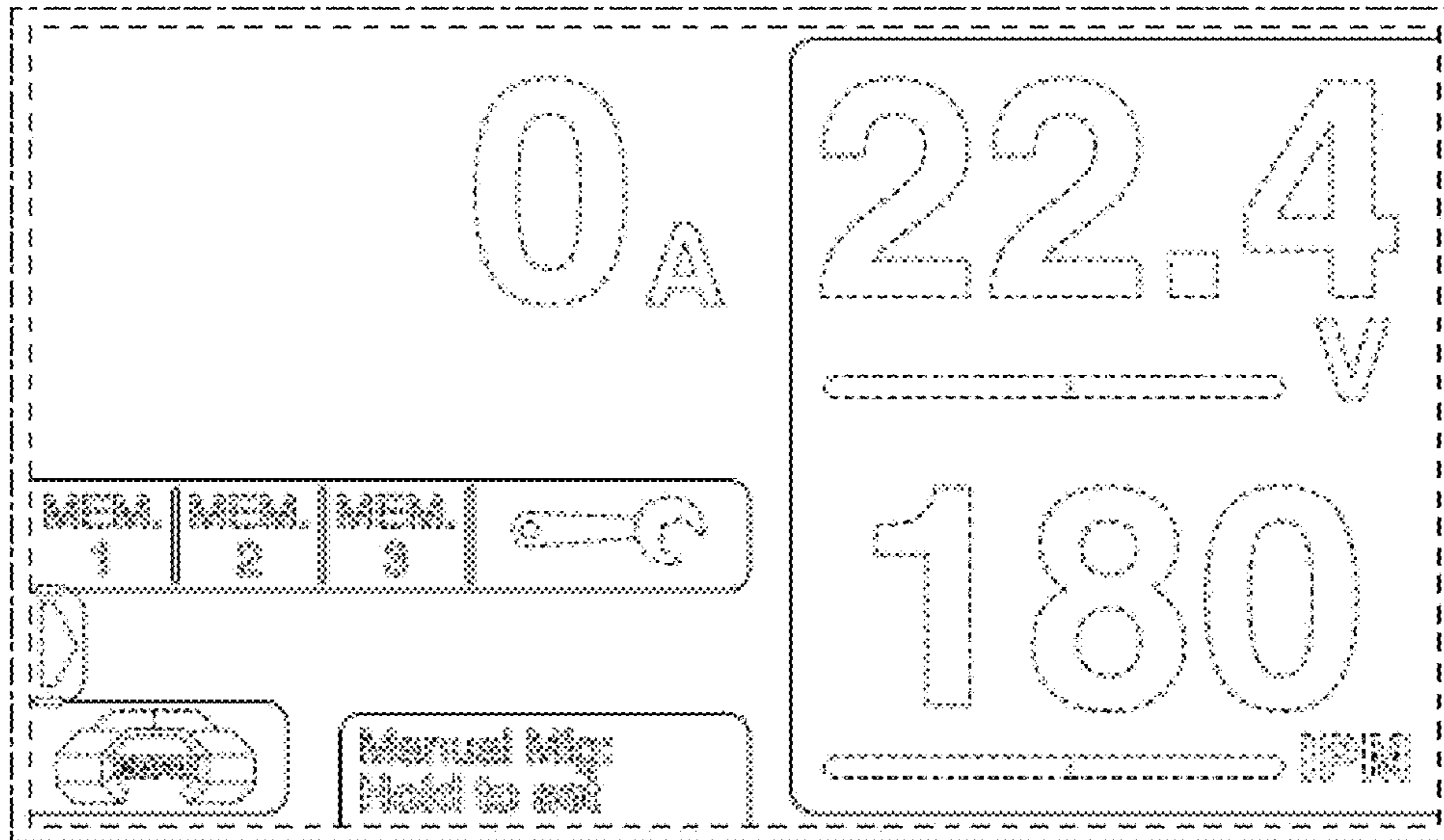


FIG. 8

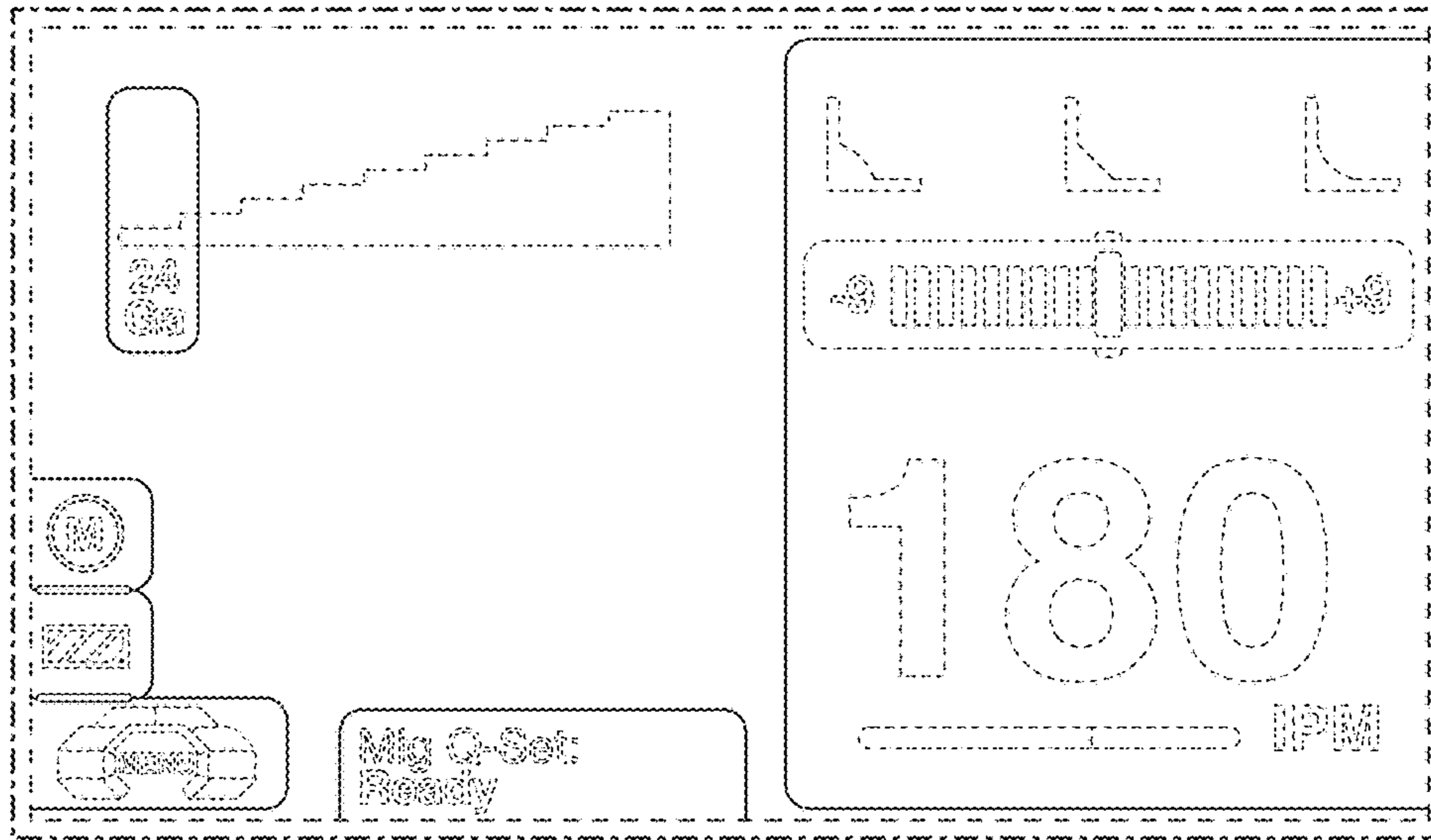


FIG. 9

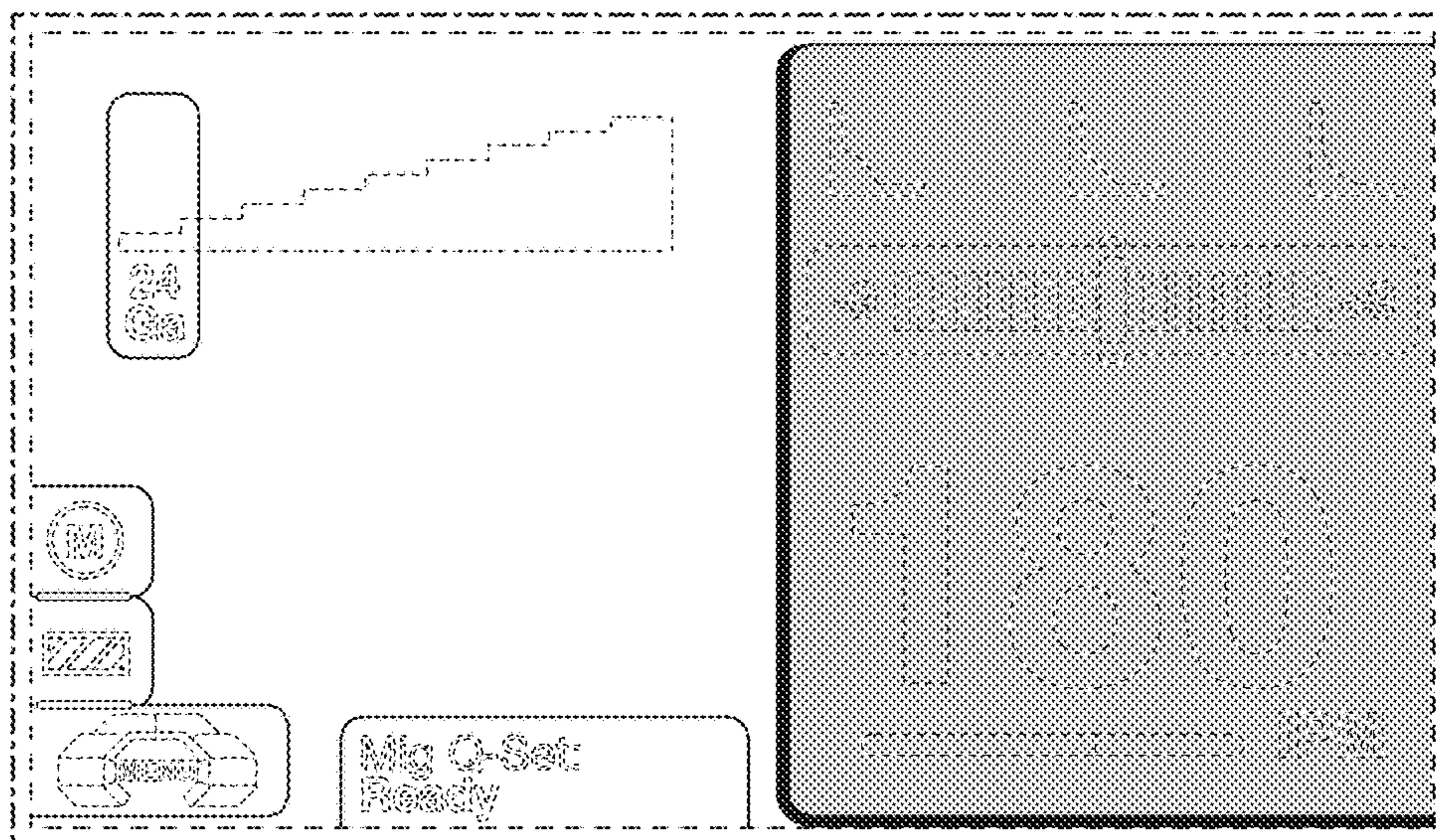


FIG. 10

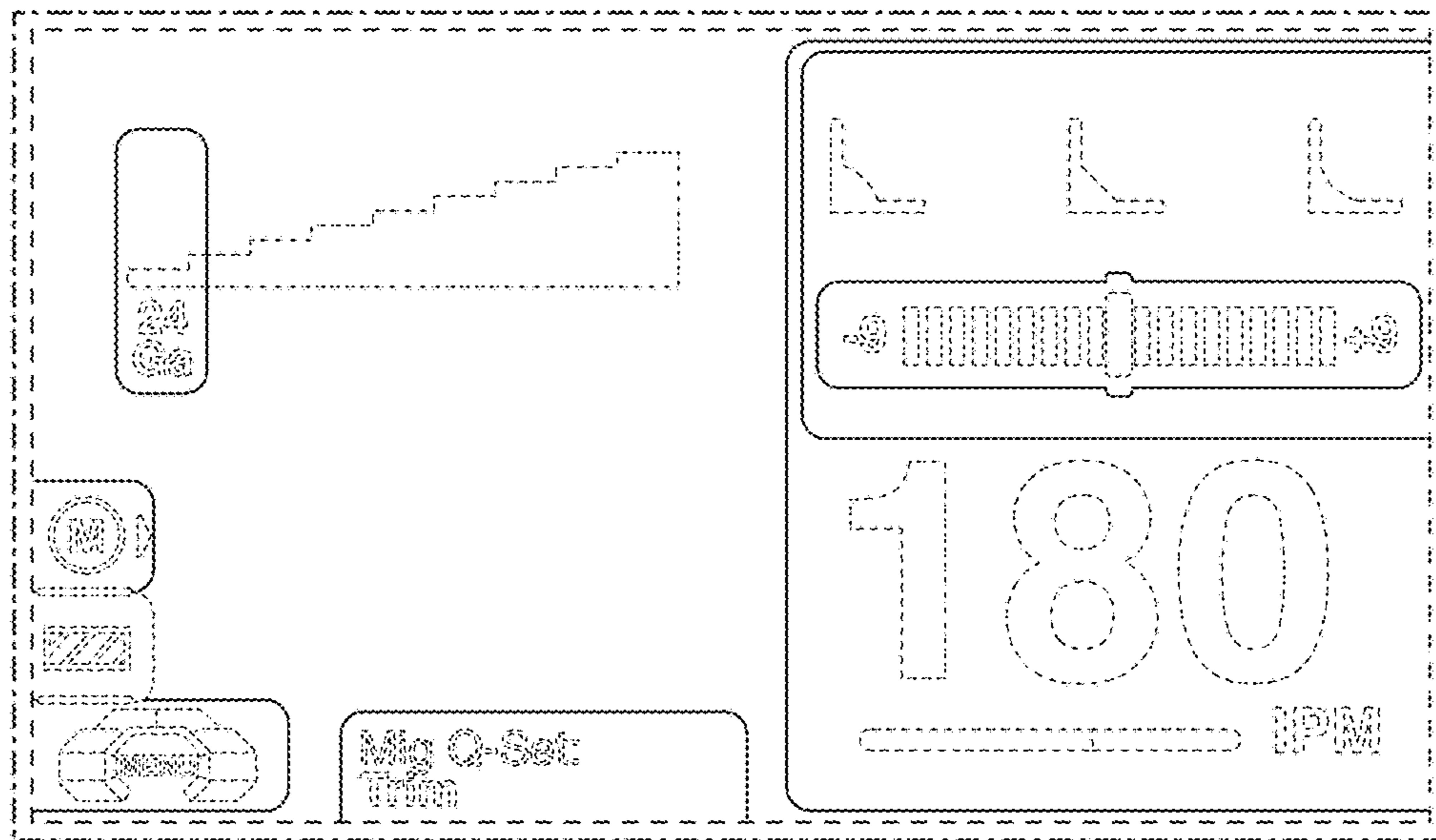


FIG. 11

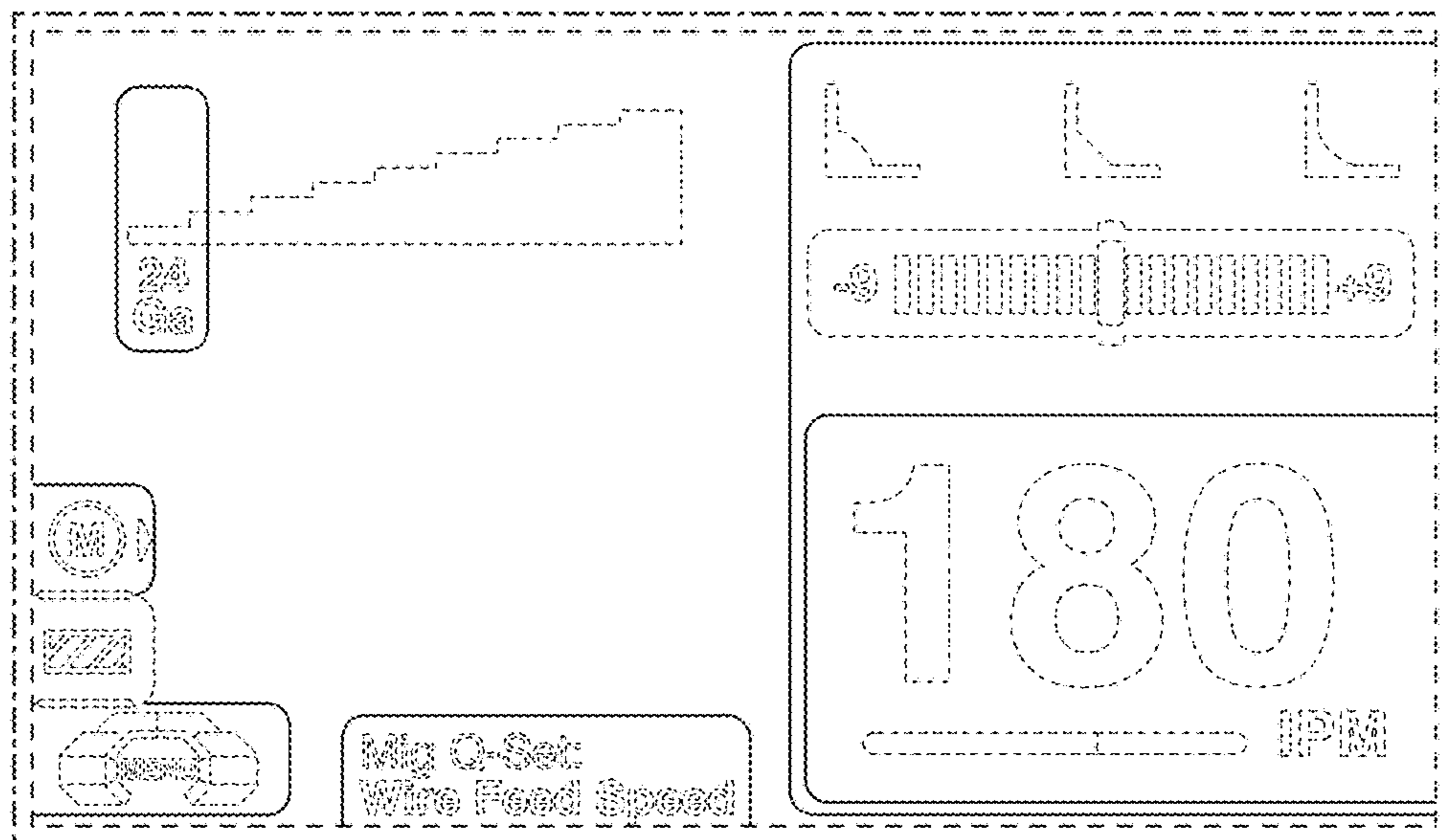


FIG. 12

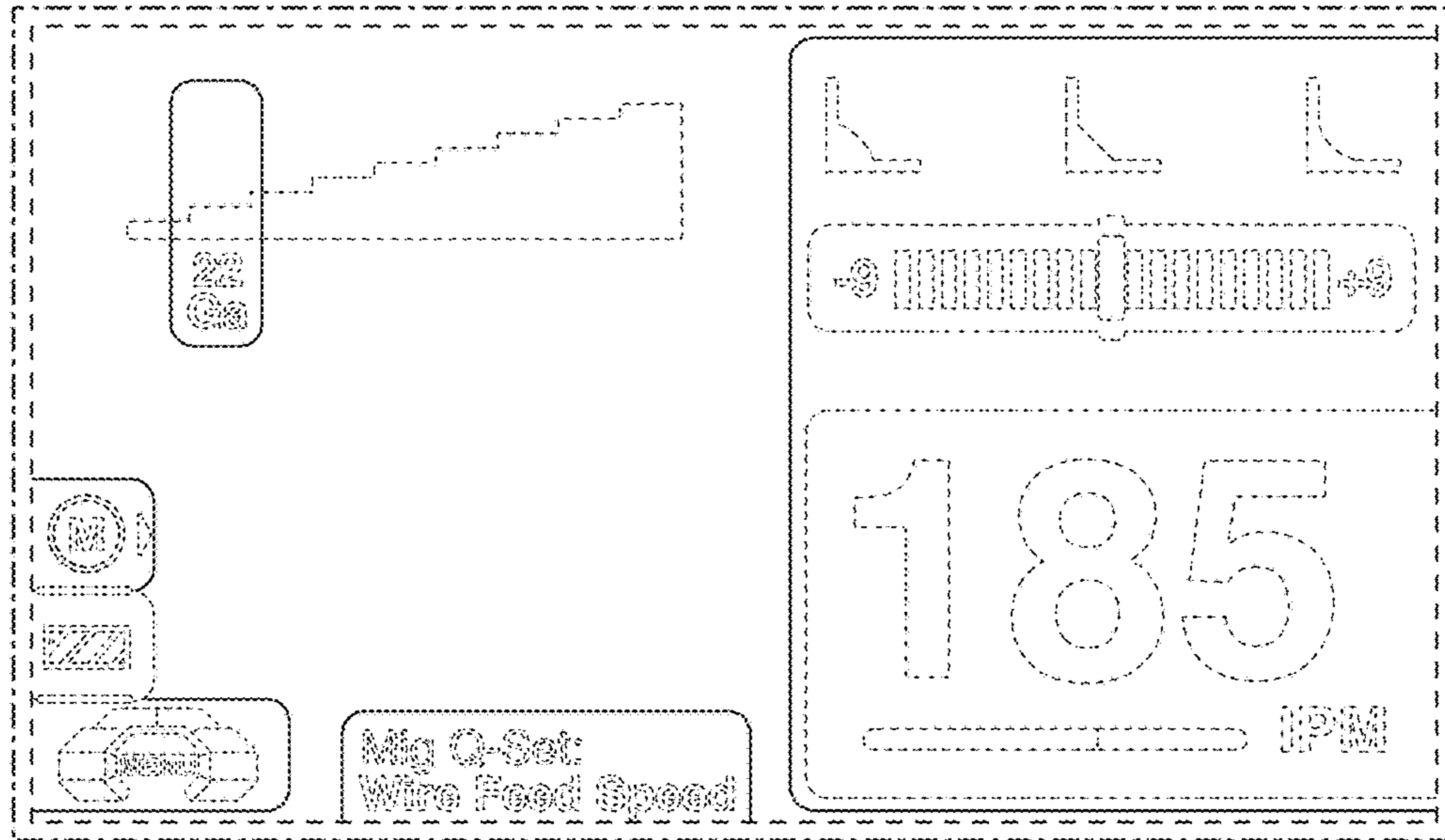


FIG. 13

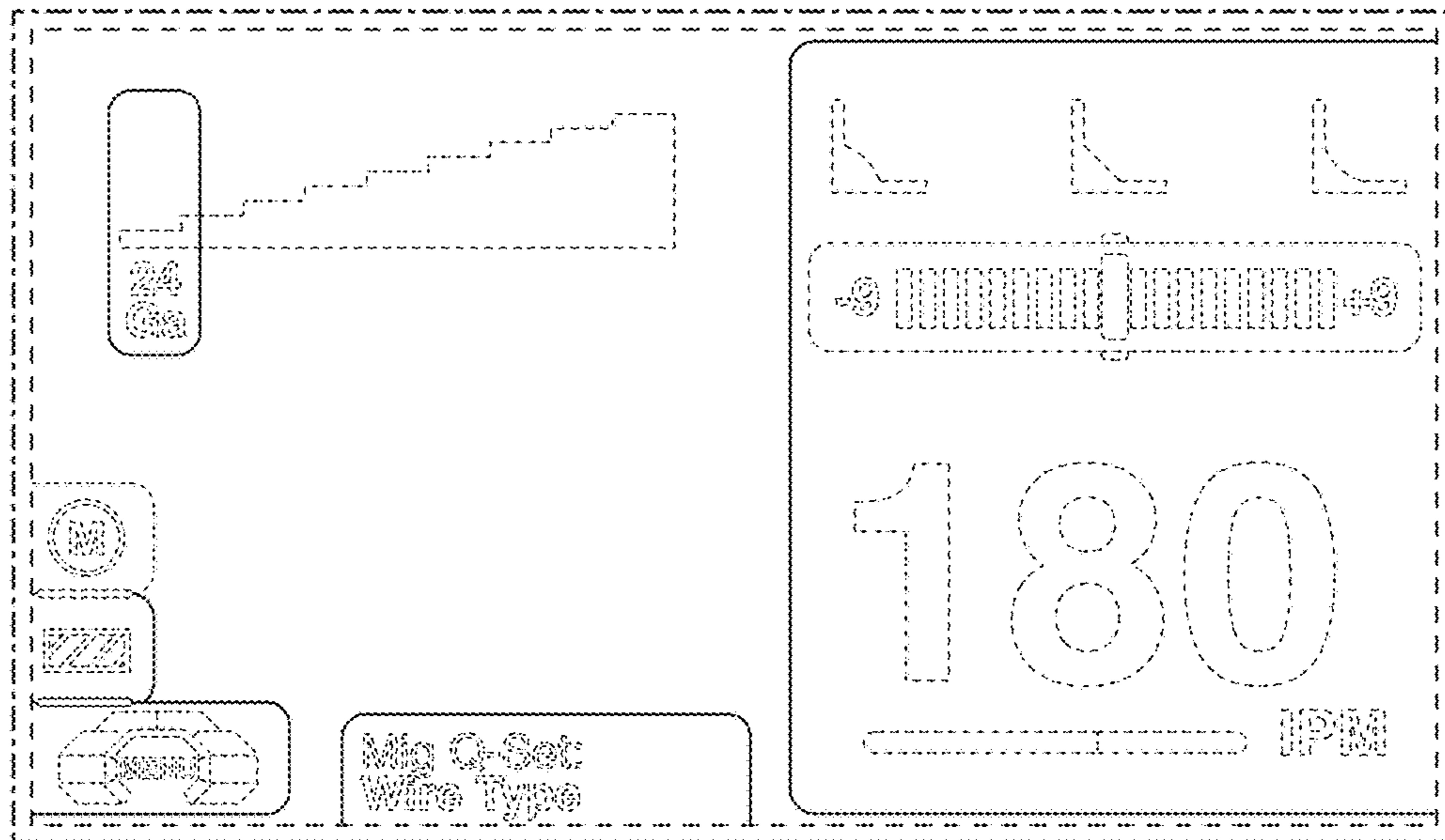


FIG. 14

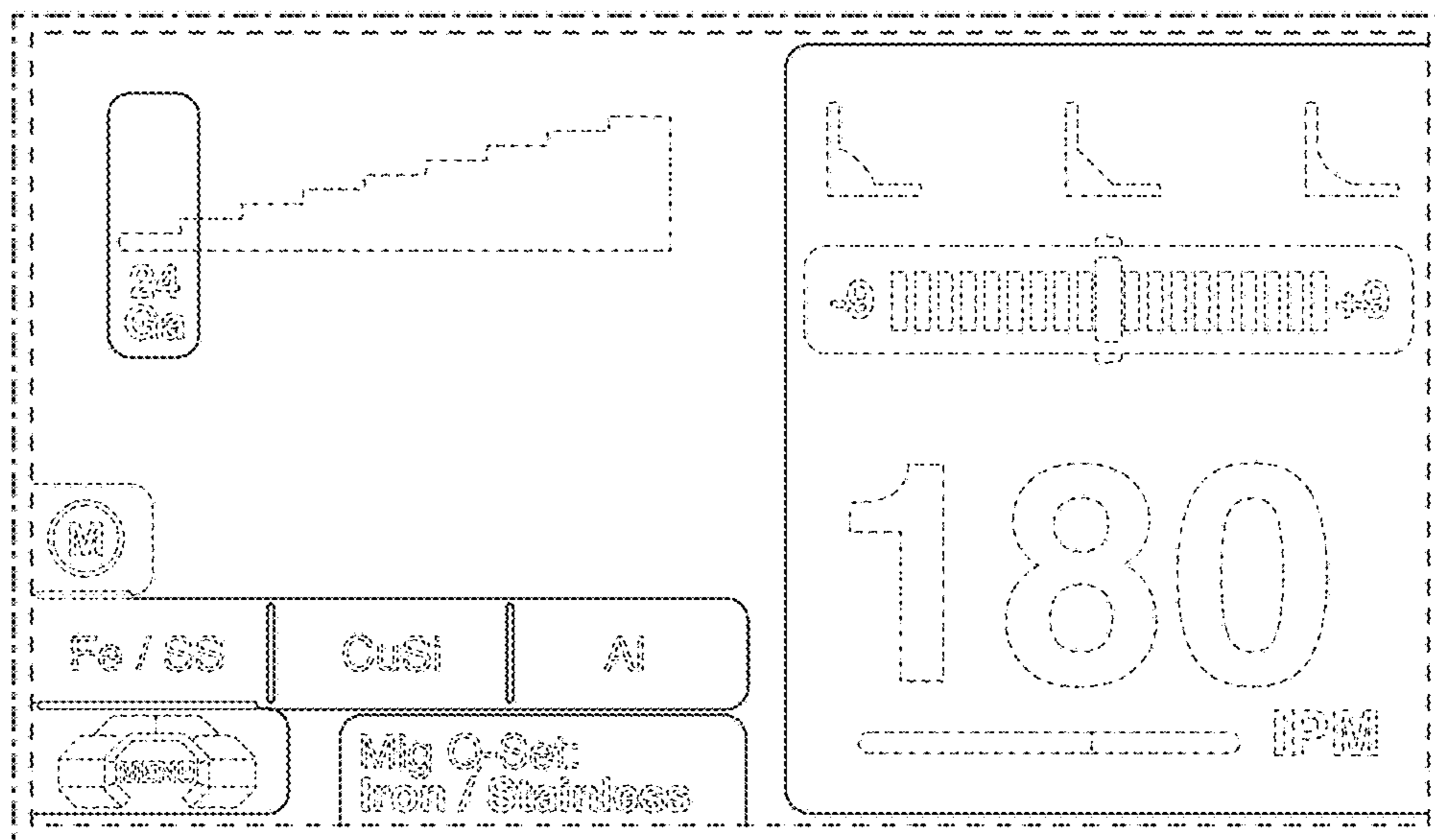


FIG. 15

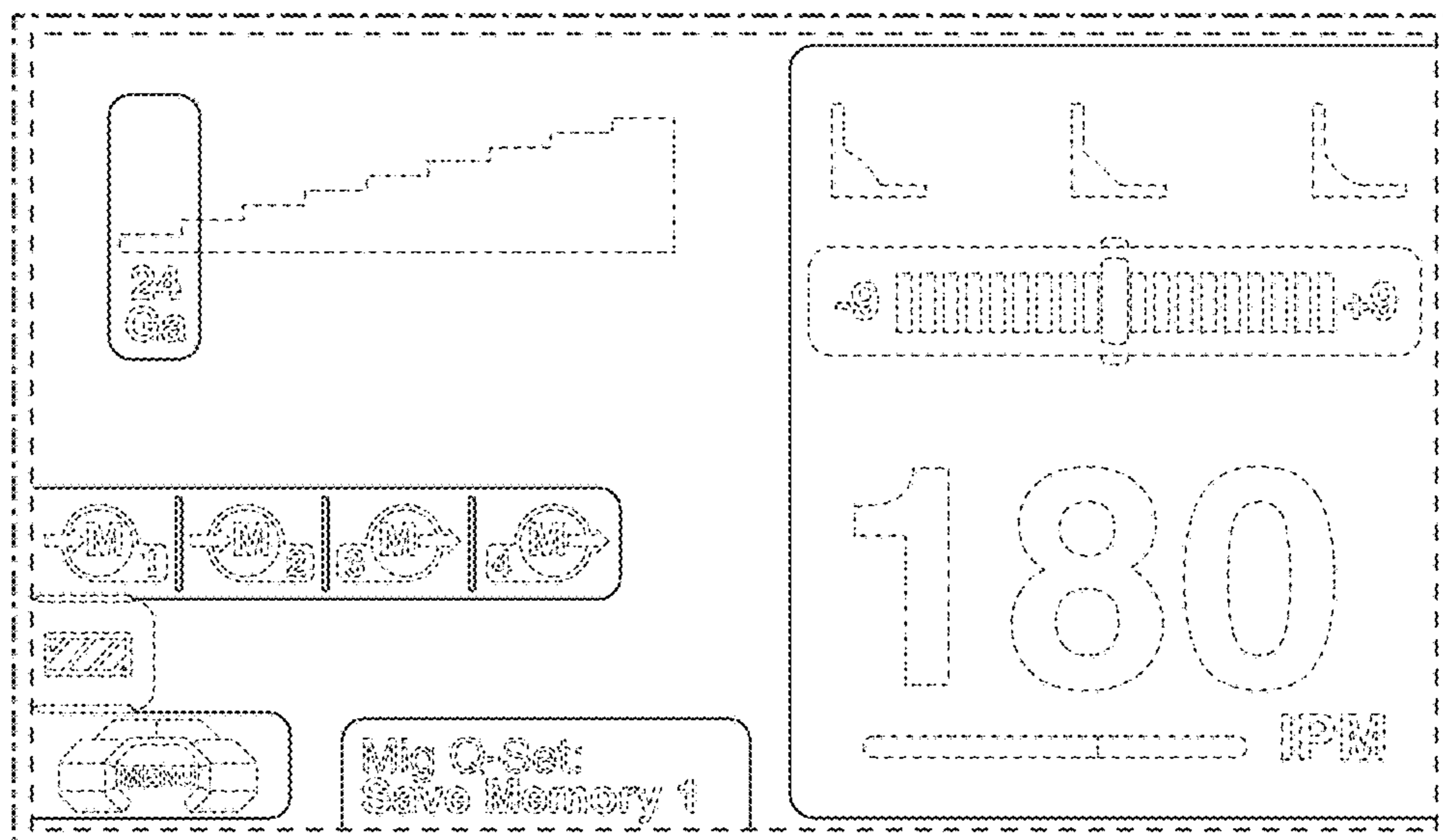


FIG. 16