



US00D858530S

(12) **United States Design Patent**
Liao

(10) **Patent No.:** **US D858,530 S**

(45) **Date of Patent:** **** Sep. 3, 2019**

(54) **MULTI-PORT DOCKING STATION FOR MOBILE PHONE**

(71) Applicant: **Gopod Group Ltd.**,
Shenzhen/Guangdong (CN)

(72) Inventor: **Zhuowen Liao**, Shenzhen (CN)

(73) Assignee: **GOPOD GROUP LTD.** (CN)

(**) Term: **15 Years**

(21) Appl. No.: **29/641,582**

(22) Filed: **Mar. 23, 2018**

(51) **LOC (12) Cl.** **14-02**

(52) **U.S. Cl.**
USPC **D14/434**; D14/253; D13/108

(58) **Field of Classification Search**
USPC D14/251–254, 203.1, 217, 224, 224.1,
D14/238.1, 240, 242, 299, 314, 357, 434,
D14/447, 451–452, 483, 496; D12/400,
D12/415–426, 426.1, 114, 223; D13/107,
D13/108

CPC B60R 11/00; B60R 11/02; B60R 11/0241;
B60R 11/0252; B60R 2011/0005; B60R
2011/0008; H04M 1/026; H04M 1/0266;
H04M 1/0254; H04B 1/3877; A45F
2200/0516; A45F 2200/0525; H05K
5/0204; F16M 13/02; F16M 13/022;
F16M 13/04; F16M 11/04; F16M 11/041;
F16B 2/12; H01F 7/0252; G03B 17/561;
G03B 17/563; H02J 7/0003; H02J
7/0013; H02J 7/0042; H02J 7/355

See application file for complete search history.

(56) **References Cited**

U.S. PATENT DOCUMENTS

D607,879 S * 1/2010 Ferber D13/108
D659,637 S * 5/2012 Hwang D13/108

D667,411 S * 9/2012 Kim D14/434
D703,214 S * 4/2014 Lye D14/447
D704,633 S * 5/2014 Ryu D13/108
9,153,985 B1 * 10/2015 Gjovik H02J 7/0042
D757,730 S * 5/2016 Fletcher D14/434
D760,721 S * 7/2016 Akana D14/434
D769,878 S * 10/2016 Fletcher D14/434
D779,493 S * 2/2017 Eliyahu D14/217
D795,876 S * 8/2017 Fletcher D14/434
D806,712 S * 1/2018 Cebe D14/434
2013/0217448 A1 * 8/2013 Kim H04M 1/0254
455/575.1
2014/0097793 A1 * 4/2014 Wurtz H02J 7/0042
320/108
2015/0373440 A1 * 12/2015 Fontana H04R 1/025
381/388

* cited by examiner

Primary Examiner — Jeffrey D Asch

Assistant Examiner — Rebekah A Caruso

(74) *Attorney, Agent, or Firm* — RC Patent Services

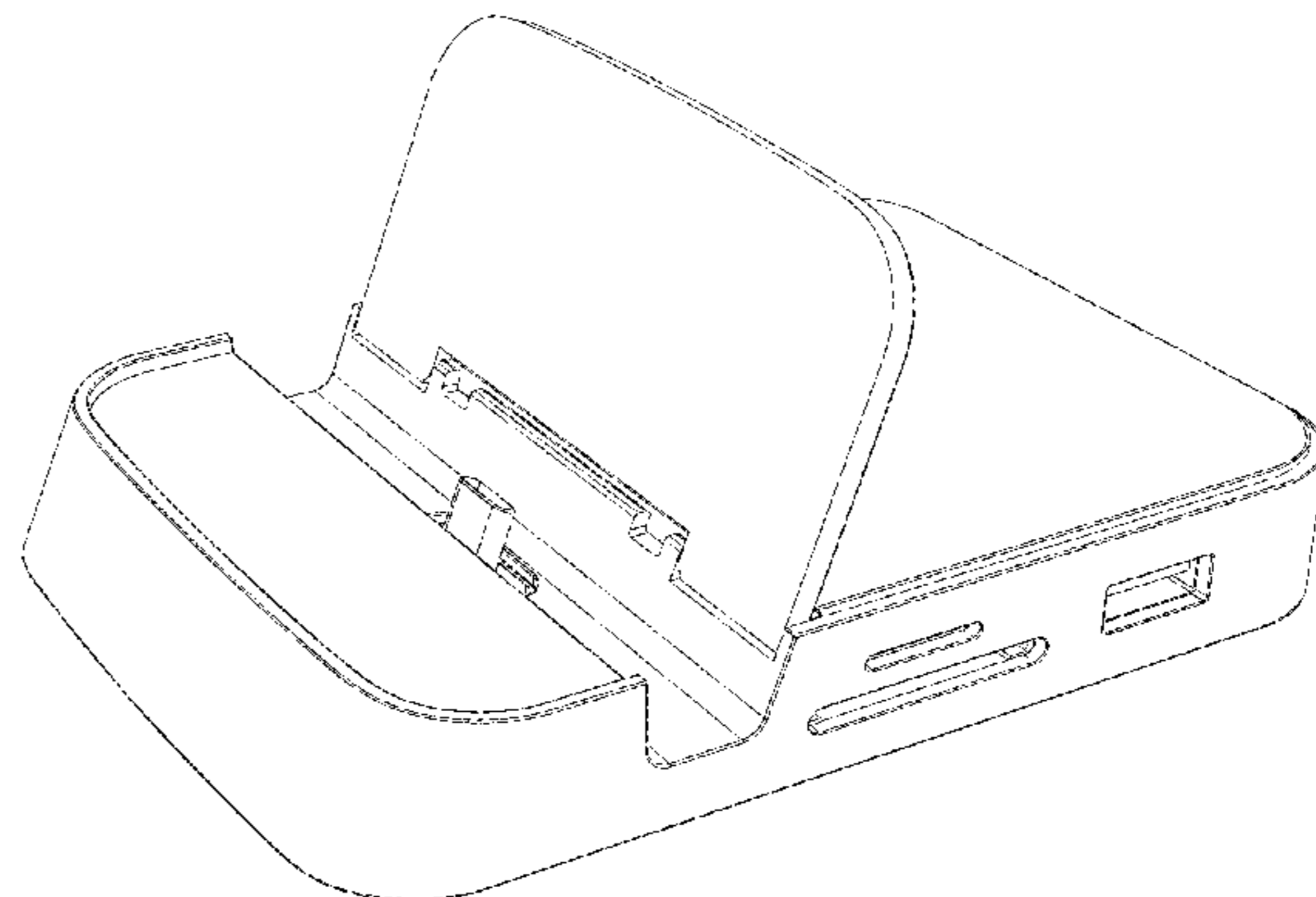
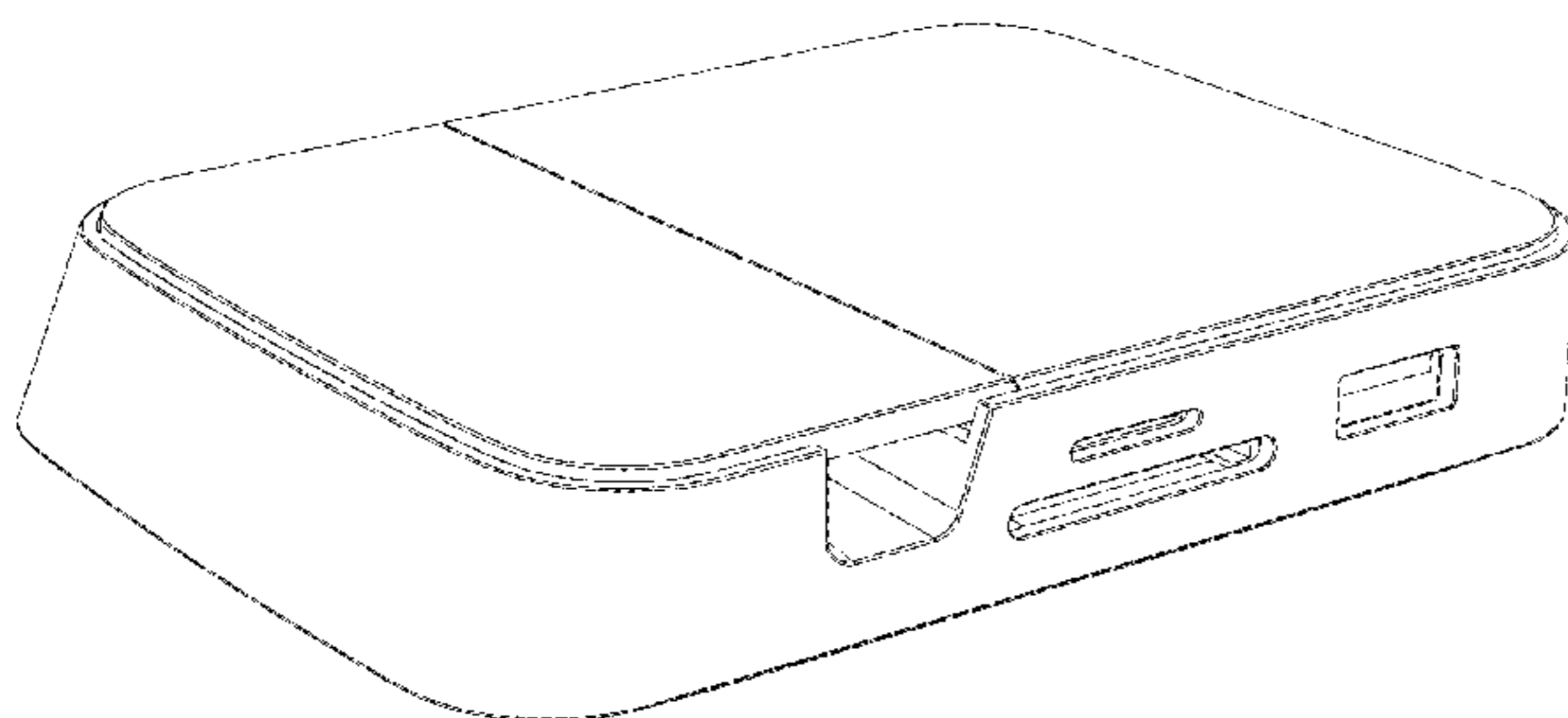
(57) **CLAIM**

The ornamental design for a multi-port docking station for mobile phone, as shown and described.

DESCRIPTION

FIG. 1 is a top view of a multi-port docking station for mobile phone showing my new design;
FIG. 2 is a right side view thereof;
FIG. 3 is a left side view thereof;
FIG. 4 is a bottom view thereof;
FIG. 5 is a rear view thereof;
FIG. 6 is a front view thereof;
FIG. 7 is a first top, front, left side perspective view thereof;
FIG. 8 is a top, rear, right side perspective view thereof; and,
FIG. 9 is a second top, front, left side perspective view thereof, shown in an open position.

1 Claim, 9 Drawing Sheets



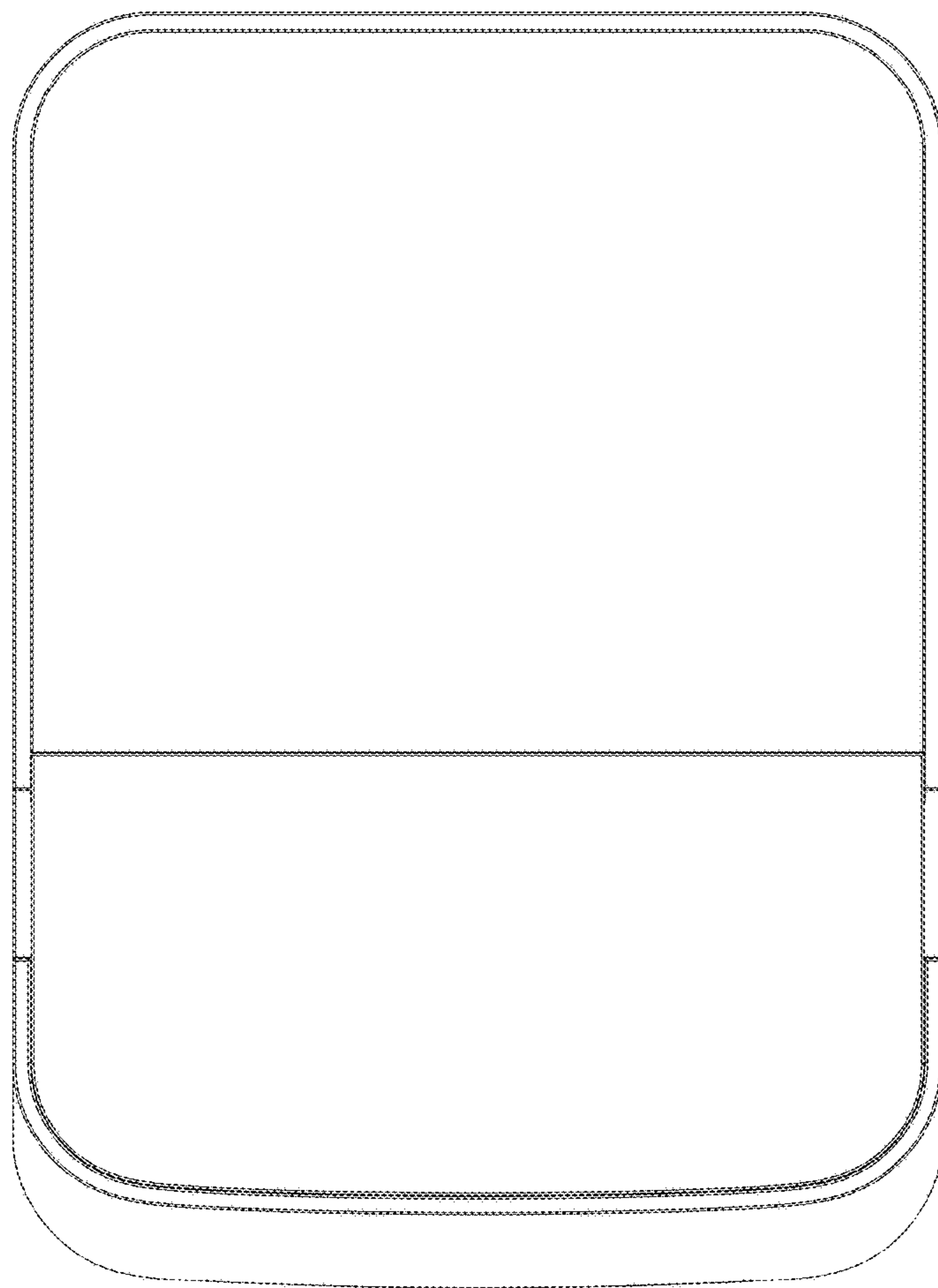


FIG. 1

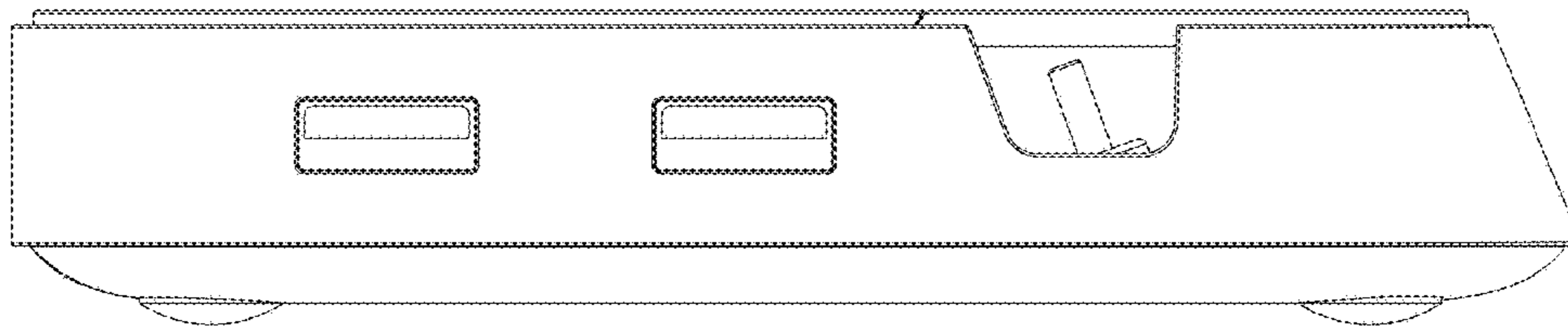


FIG. 2

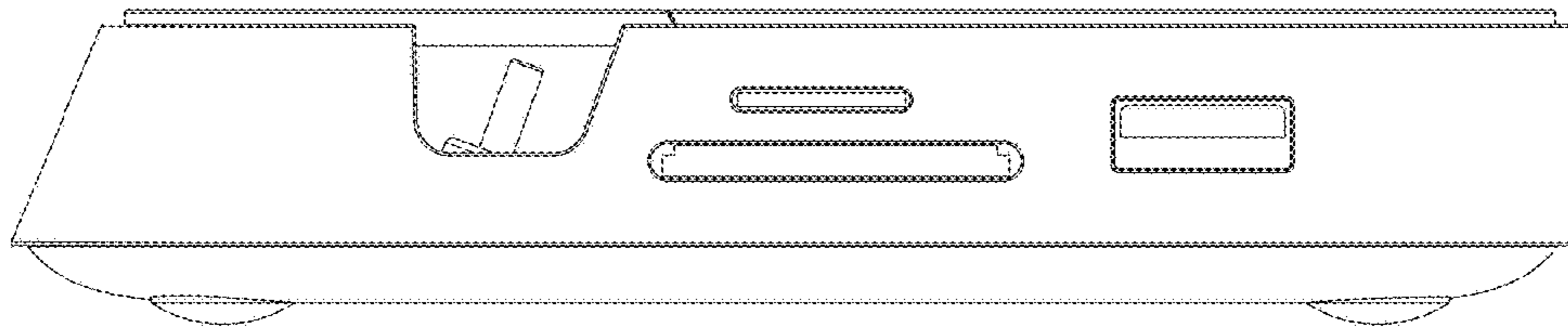


FIG. 3

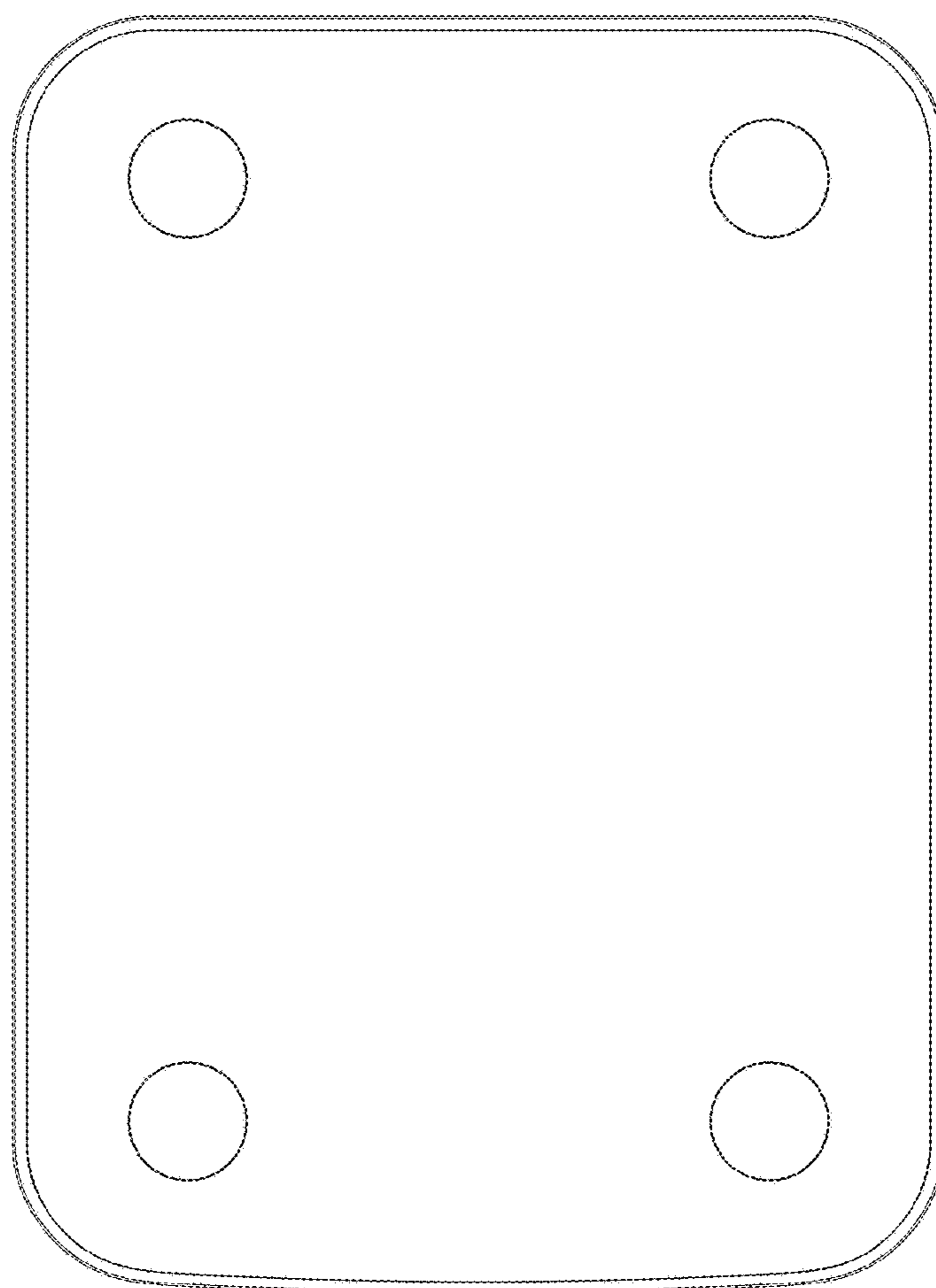


FIG. 4

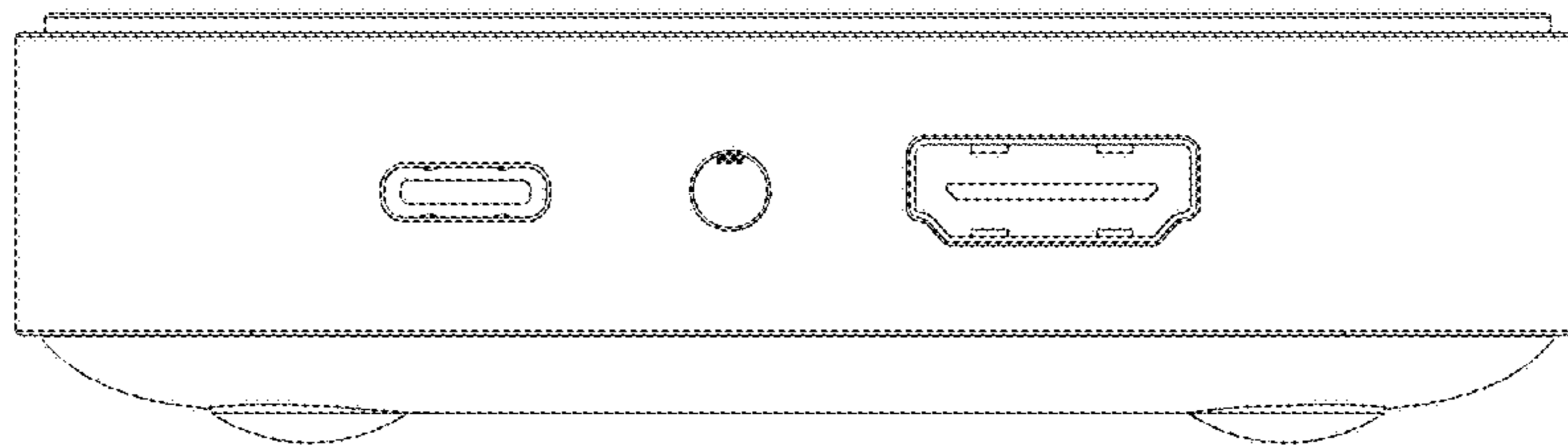


FIG. 5

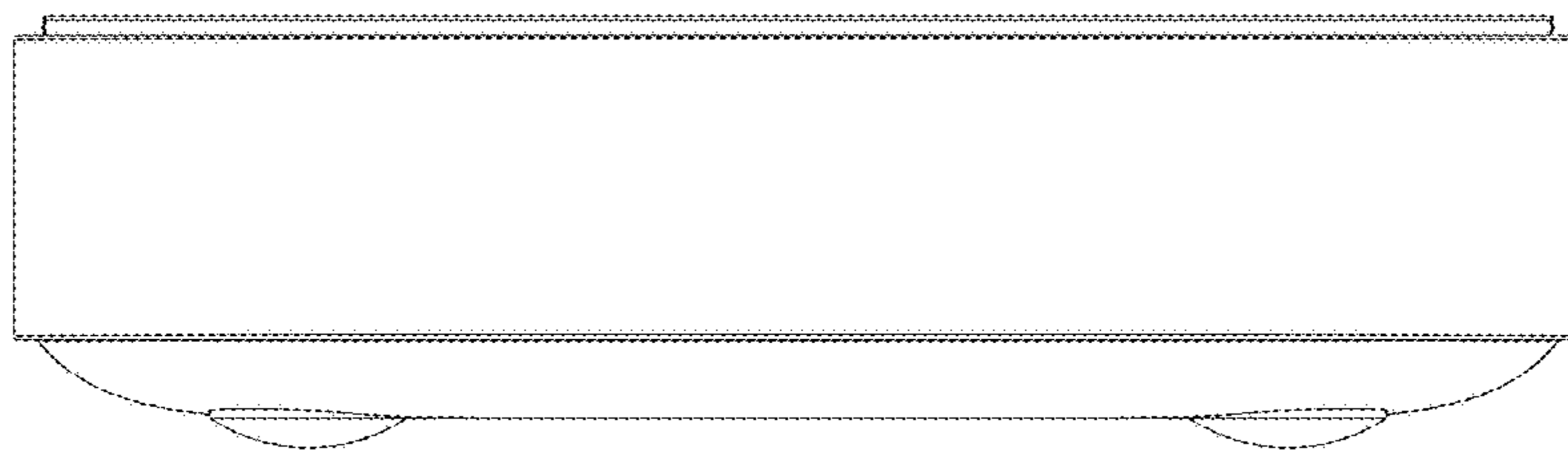


FIG. 6

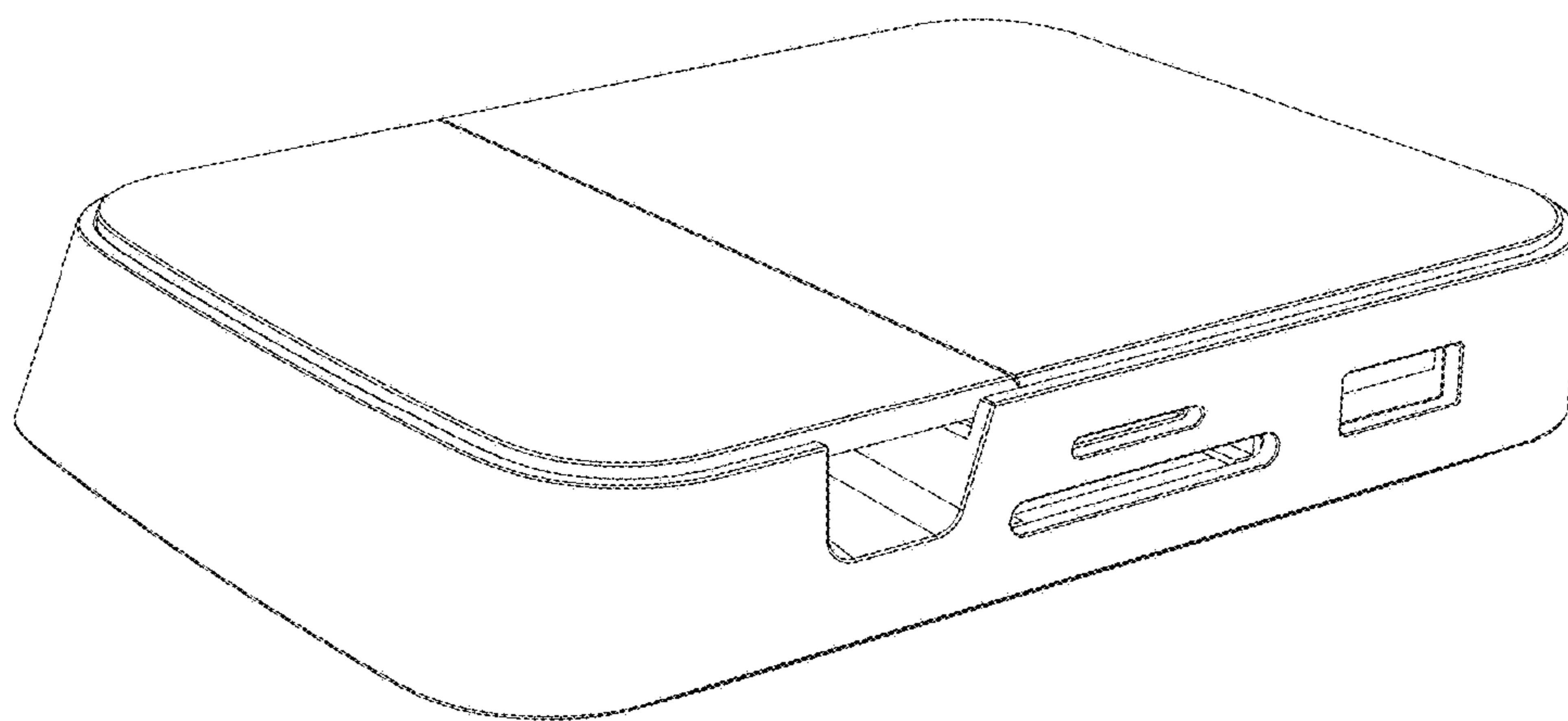


FIG. 7

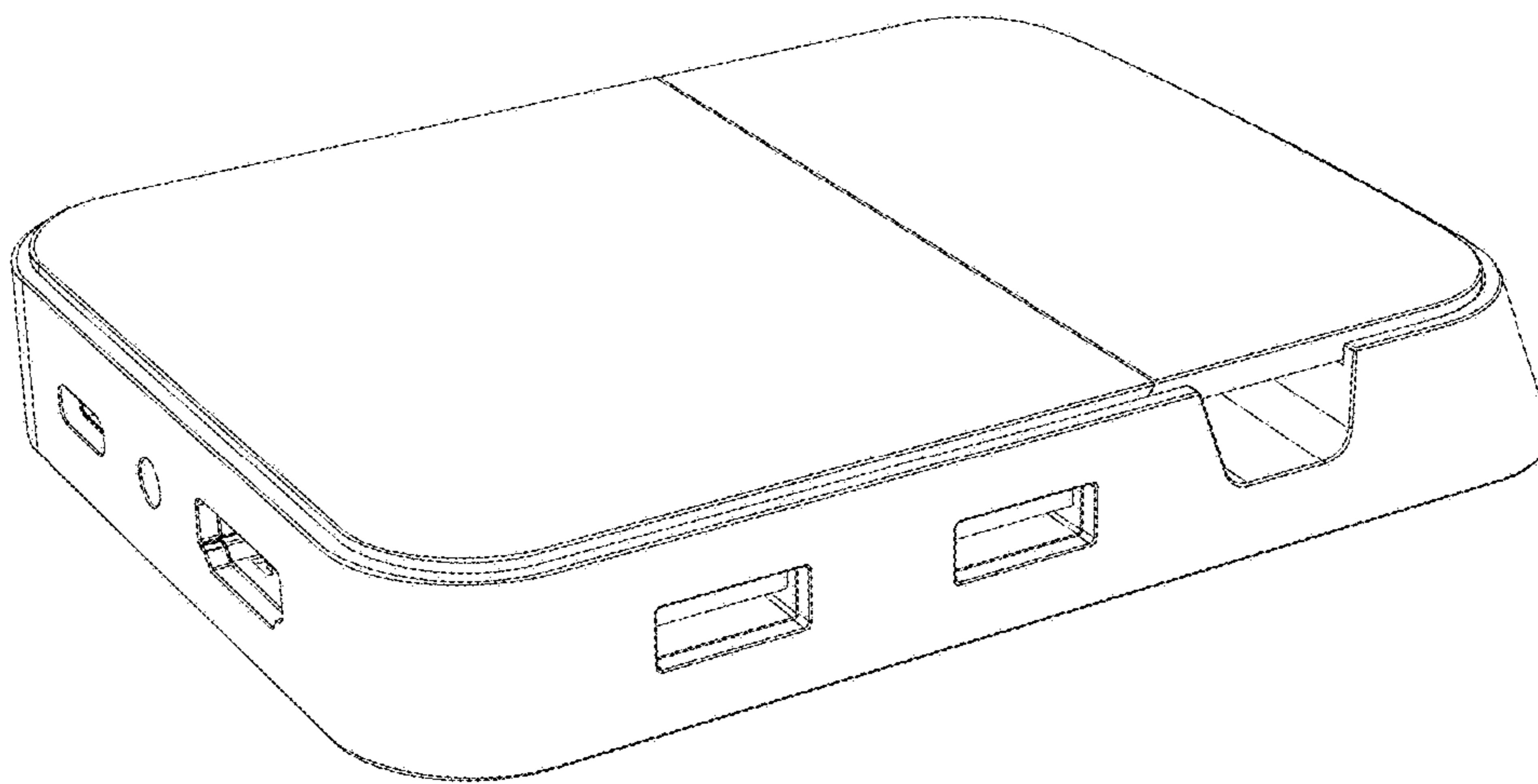


FIG. 8

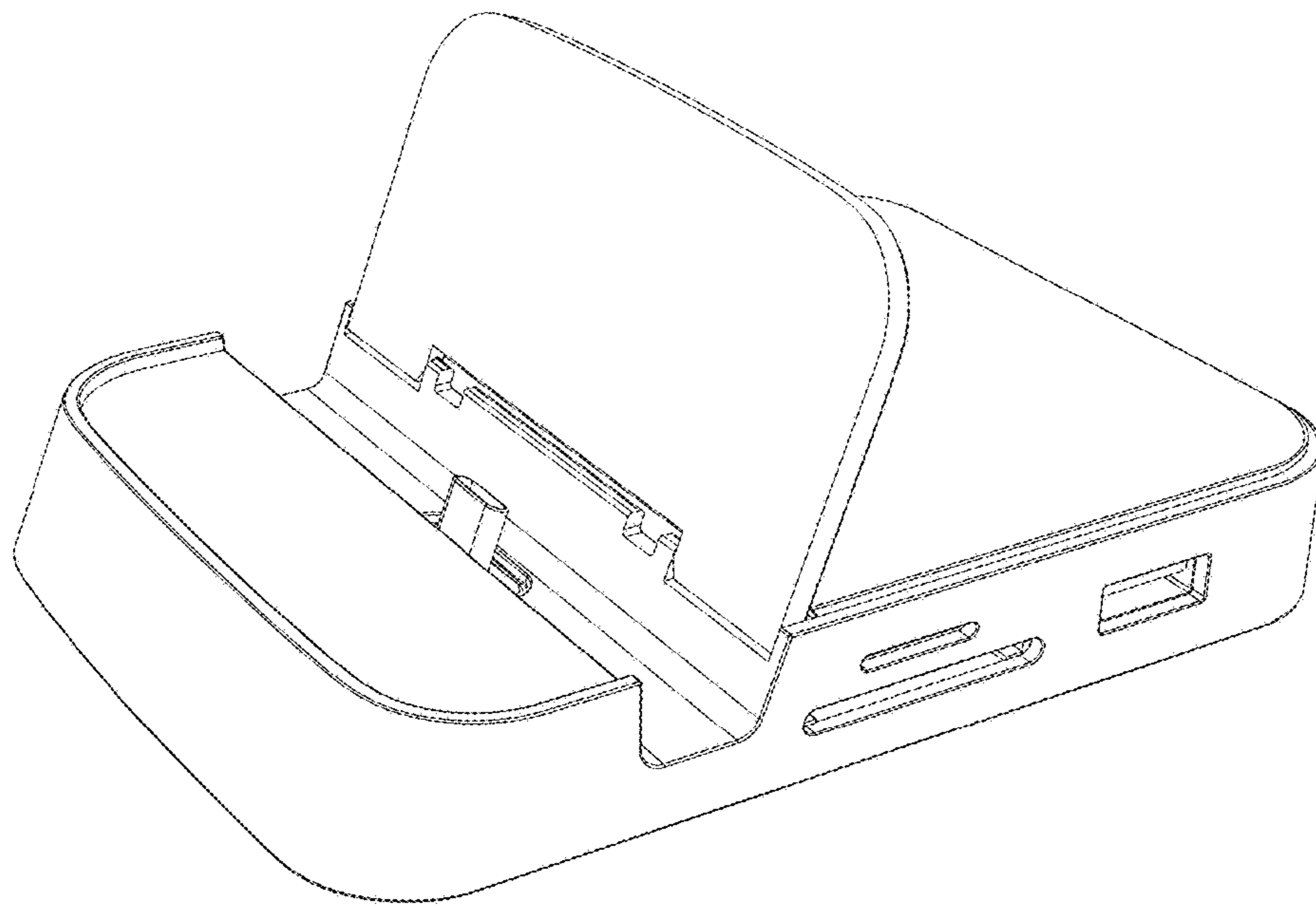


FIG. 9