



US00D858529S

(12) **United States Design Patent**
Oberpriller

(10) **Patent No.:** **US D858,529 S**

(45) **Date of Patent:** **** Sep. 3, 2019**

(54) **ELECTRONIC DEVICE**

(71) Applicant: **Hand Held Products, Inc.**, Fort Mill, SC (US)

(72) Inventor: **Mark Lee Oberpriller**, Atlanta, GA (US)

(73) Assignee: **Hand Held Products, Inc.**, Fort Mill, SC (US)

(**) Term: **15 Years**

(21) Appl. No.: **29/658,193**

(22) Filed: **Jul. 30, 2018**

Related U.S. Application Data

(63) Continuation of application No. 29/575,039, filed on Aug. 22, 2016, now Pat. No. Des. 824,387.

(51) **LOC (12) Cl.** **14-02**

(52) **U.S. Cl.**
USPC **D14/433; D14/358**

(58) **Field of Classification Search**
USPC D14/356, 357, 358, 361, 362, 365, 367, D14/370, 388, 389, 432, 434, 216, 217,
(Continued)

(56) **References Cited**

U.S. PATENT DOCUMENTS

D263,709 S 4/1982 Ando
D303,638 S 9/1989 Andrews, Sr. et al.
(Continued)

OTHER PUBLICATIONS

DEX Adapter Quick Start Guide (DEX Adapter Model DEX-BLE-1) [online PDF] 2 pgs. Dated Mar. 2016 [Retrieved on Mar. 5, 2018] http://aidc.honeywell.com/CatalogDocuments/DEX-ENUS-QS_Rev_A.pdf.

Primary Examiner — Marie D. Fast Horse

(74) *Attorney, Agent, or Firm* — Additon, Higgins & Pendleton, P.A.

(57) **CLAIM**

The ornamental design for an electronic device, as shown in the accompanying drawings and described above.

DESCRIPTION

FIG. 1 is a top front perspective view of an electronic device with its unclaimed cable in a stowed configuration, in accordance with the present invention.

FIG. 2 is a top rear perspective view of the configuration of FIG. 1.

FIG. 3 is another top front perspective view of the configuration of FIG. 1.

FIG. 4 is a bottom front perspective view of the configuration of FIG. 1.

FIG. 5 is a bottom rear perspective view of the configuration of FIG. 1.

FIG. 6 is a top plan view of the configuration of FIG. 1.

FIG. 7 is a bottom plan view of the configuration of FIG. 1.

FIG. 8 is a front elevation view of the configuration of FIG. 1.

FIG. 9 is a rear elevation view of the configuration of FIG. 1.

FIG. 10 is right elevation view of the configuration of FIG. 1.

FIG. 11 is left elevation view of the configuration of FIG. 1.

FIG. 12 is a top front perspective view of the electronic device of FIG. 1 with its unclaimed cable in an extended configuration, in accordance with the present invention.

FIG. 13 is a top rear perspective view of the configuration of FIG. 12.

FIG. 14 is another top front perspective view of the configuration of FIG. 12.

FIG. 15 is a bottom front perspective view of the configuration of FIG. 12.

FIG. 16 is a bottom rear perspective view of the configuration of FIG. 12.

FIG. 17 is a top plan view of the configuration of FIG. 12.

FIG. 18 is a bottom plan view of the configuration of FIG. 12.

(Continued)

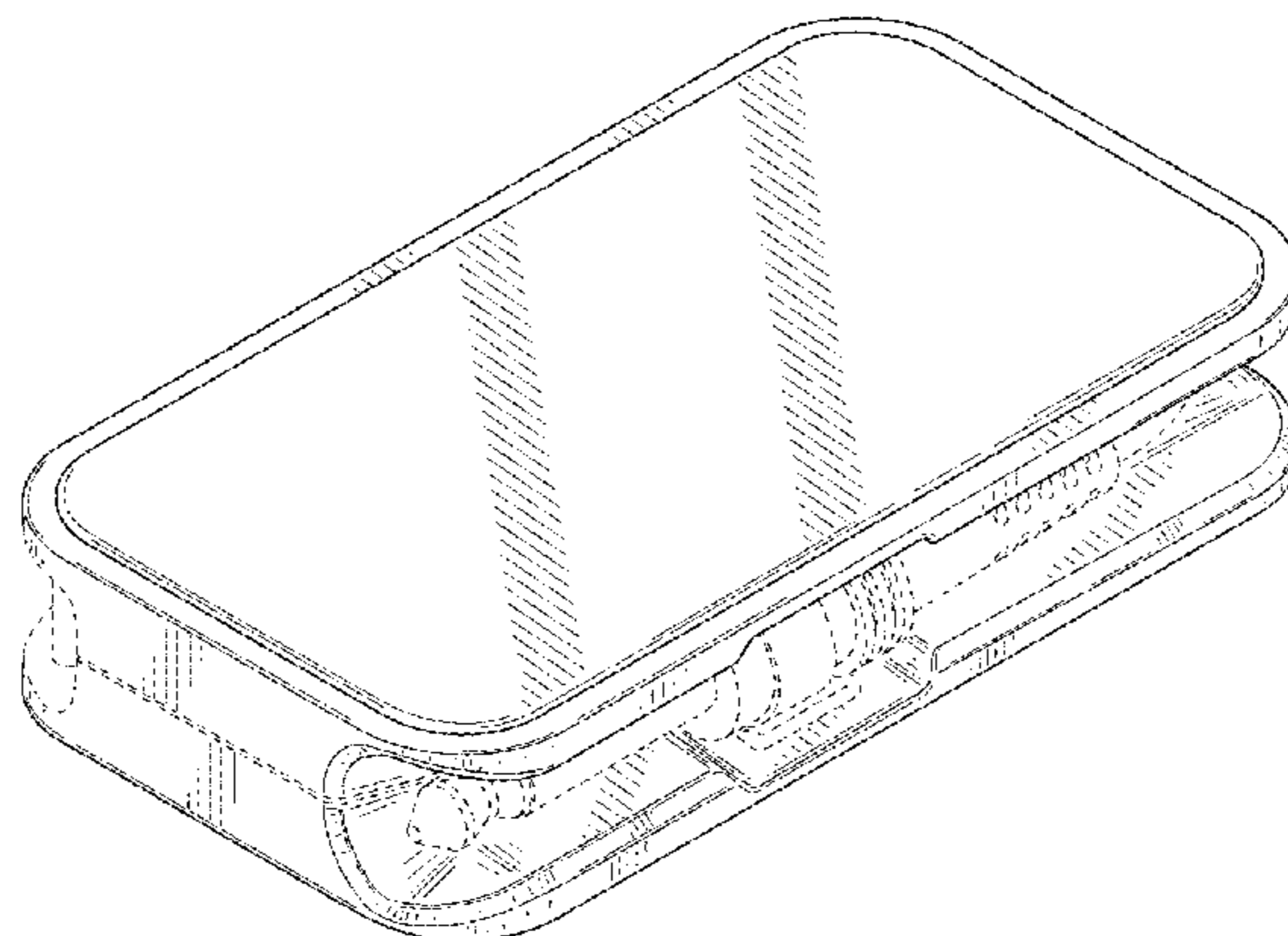


FIG. 19 is a front elevation view of the configuration of FIG. 12.
 FIG. 20 is a rear elevation view of the configuration of FIG. 12.
 FIG. 21 is right elevation view of the configuration of FIG. 12; and,
 FIG. 22 is left elevation view of the configuration of FIG. 12.
 The broken lines shown herein depict unclaimed portions of the electronic device, are for illustrative purposes and form no part of the claimed design.

1 Claim, 15 Drawing Sheets

(58) **Field of Classification Search**

USPC D14/218, 240, 242, 299, 125, 129, 130,
 D14/140, 155, 168, 188, 496, 433;
 D13/103, 107, 108, 123, 162, 162.1, 163,
 D13/184, 199, 152, 168, 110; D10/104.1,
 D10/106.6, 116.1, 61, 64, 75; D18/12;
 D20/8
 CPC ... H04W 88/08; H04W 88/085; H04W 88/00;
 H04W 88/005; H04W 88/02; H04W
 88/12; H04W 88/14; H04W 88/16; H04W
 88/18; H04W 4/00; H01Q 1/02; H01Q
 1/2291; H01Q 1/246; H04B 1/38; H04L
 65/00; H04L 65/1013; H04L 65/102;
 H04L 65/1033; G06F 3/06; G06F 3/0635
 See application file for complete search history.

(56) **References Cited**

U.S. PATENT DOCUMENTS

D367,257 S 2/1996 Buelow et al.
 D465,451 S 11/2002 Hirano et al.
 D470,848 S 2/2003 Morooka
 D483,348 S 12/2003 Nishii et al.
 D506,989 S 7/2005 Sell et al.
 D511,344 S 11/2005 Takei
 D512,718 S 12/2005 Mori et al.
 D531,991 S 11/2006 Chau
 D532,776 S 11/2006 Griffin
 D540,774 S 4/2007 Alwicker et al.
 D559,848 S 1/2008 Siu
 D564,520 S 3/2008 Baseflug et al.
 D572,230 S 7/2008 Neu et al.

D574,833 S 8/2008 Hussaini et al.
 D587,708 S 3/2009 Yoshida et al.
 D595,684 S 7/2009 Ganley et al.
 D601,959 S 10/2009 Lee et al.
 D628,151 S 10/2010 Wegener et al.
 D628,153 S 11/2010 Fujii et al.
 D628,535 S 12/2010 Cheng
 D639,736 S 6/2011 Su
 D652,380 S 1/2012 Chen et al.
 D674,748 S 1/2013 Ferber et al.
 D675,156 S * 1/2013 Vandiver D13/108
 D675,563 S 2/2013 Hoehn et al.
 D684,129 S 6/2013 Vincent et al.
 D693,798 S 11/2013 Chuang et al.
 D694,706 S 12/2013 Kuo
 D697,865 S 1/2014 Saito et al.
 D699,177 S 2/2014 Higashi
 D705,719 S 5/2014 Wong
 D708,190 S 7/2014 An et al.
 D708,191 S 7/2014 An et al.
 D714,214 S 9/2014 Wikel et al.
 D715,735 S 10/2014 Levy
 D720,687 S 1/2015 Hasbrook
 D725,588 S 3/2015 Iaconis et al.
 D728,467 S 5/2015 Hasbrook
 D733,043 S 6/2015 Hasbrook et al.
 D735,403 S 7/2015 Che
 D742,312 S 11/2015 Gupta et al.
 D742,827 S 11/2015 Lee
 D743,889 S 11/2015 Lyles et al.
 D753,059 S 4/2016 Krantz et al.
 D758,308 S 6/2016 Choo et al.
 D758,965 S 6/2016 Jen
 D760,719 S 7/2016 Zhou et al.
 D762,164 S 7/2016 Lin et al.
 D764,404 S 8/2016 Lau et al.
 D767,486 S 9/2016 Yu
 D780,726 S 3/2017 Wang
 D780,727 S 3/2017 Wang
 D782,481 S 3/2017 Zhou et al.
 D784,340 S 4/2017 Laffon de Mazieres et al.
 D790,463 S 6/2017 Lai
 D791,700 S 7/2017 Loewen
 D798,301 S 9/2017 Kujawski et al.
 D798,811 S 10/2017 Liao
 D805,938 S * 12/2017 Park D10/104.1
 D808,392 S 1/2018 Bo
 D810,086 S 2/2018 Xie
 D810,087 S 2/2018 Xie
 D824,387 S * 7/2018 Oberpriller D14/433
 D832,790 S * 11/2018 Fawcett D13/147
 2008/0032737 A1 2/2008 Liu et al.

* cited by examiner

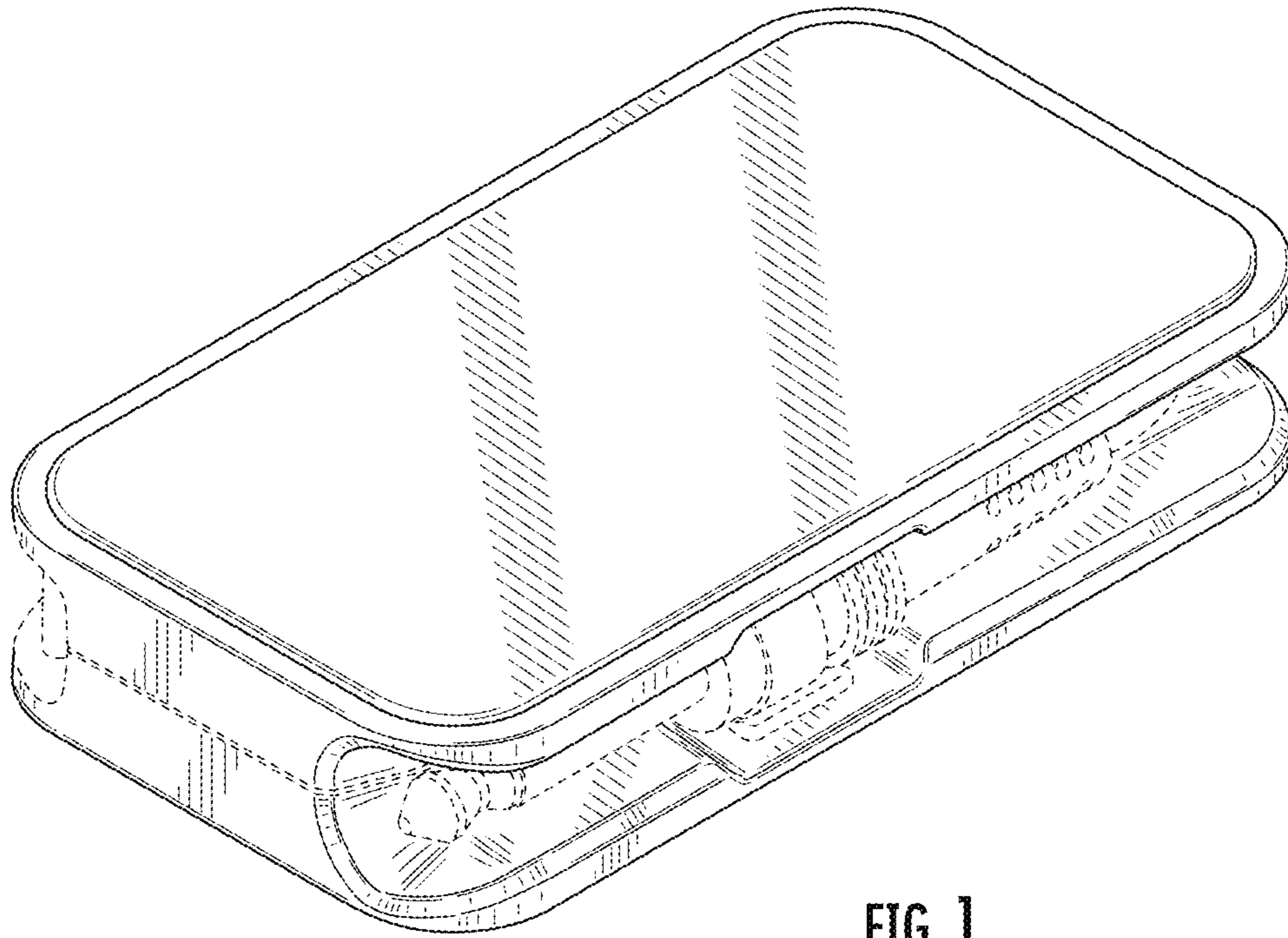


FIG. 1

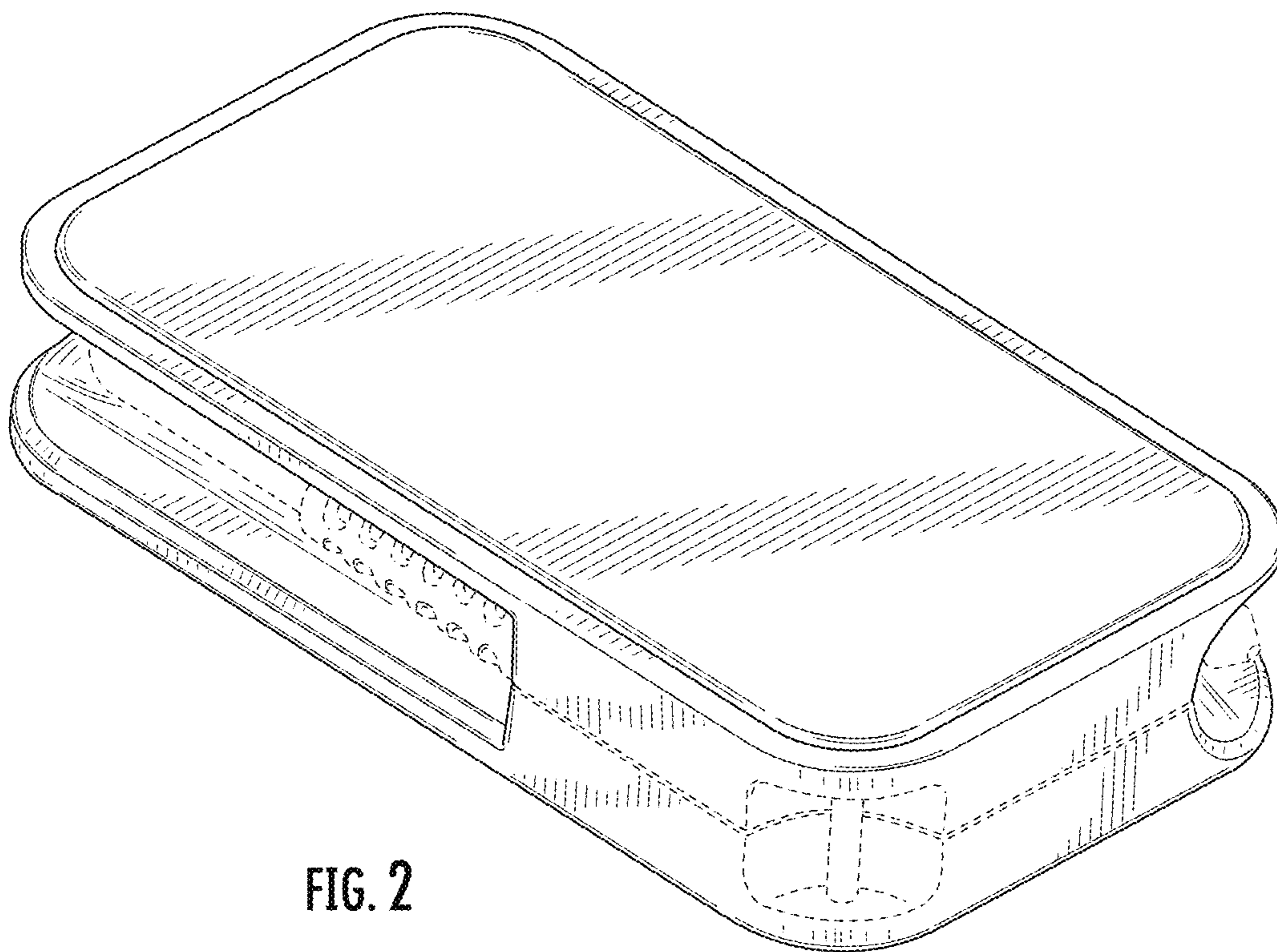


FIG. 2

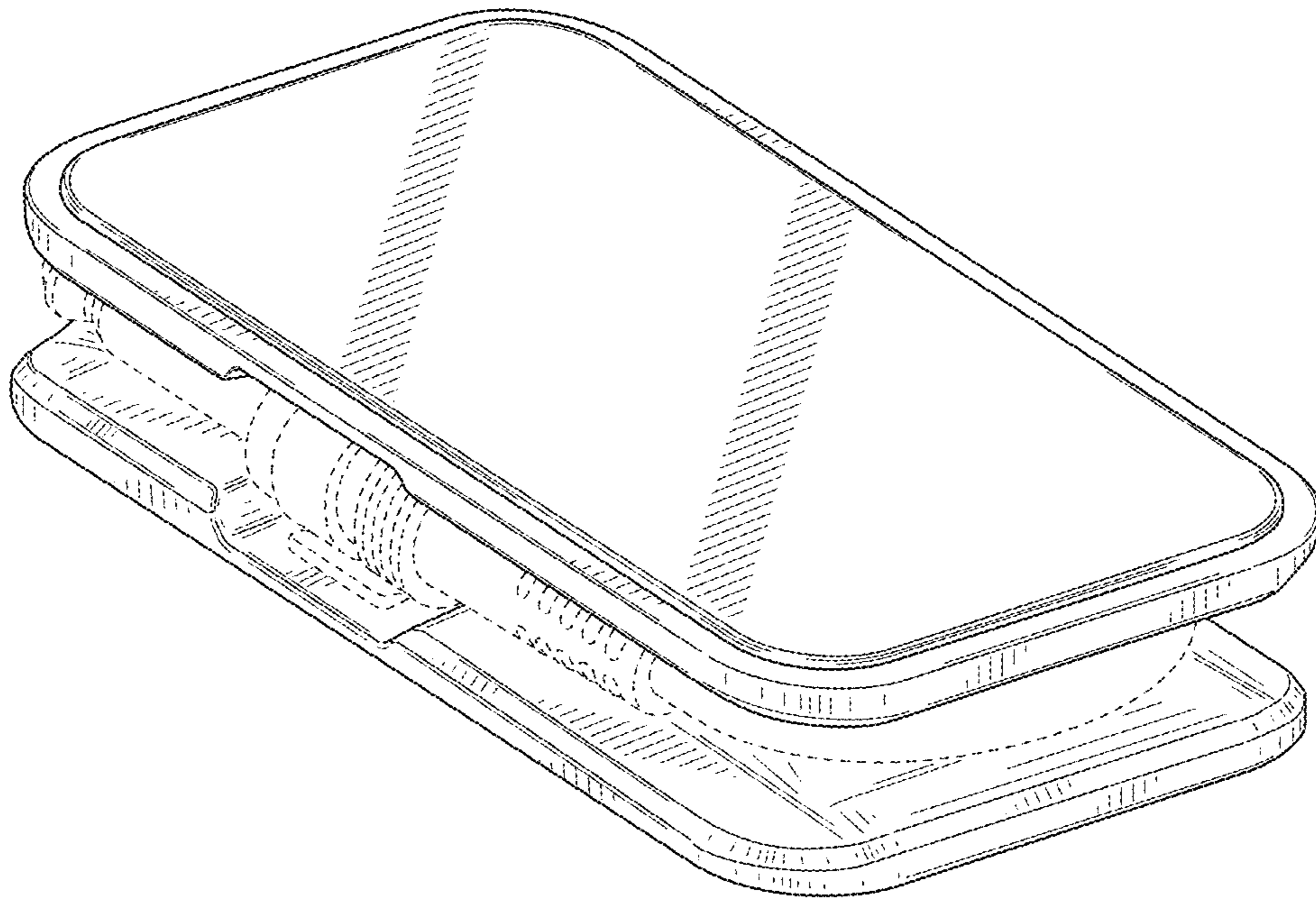


FIG. 3

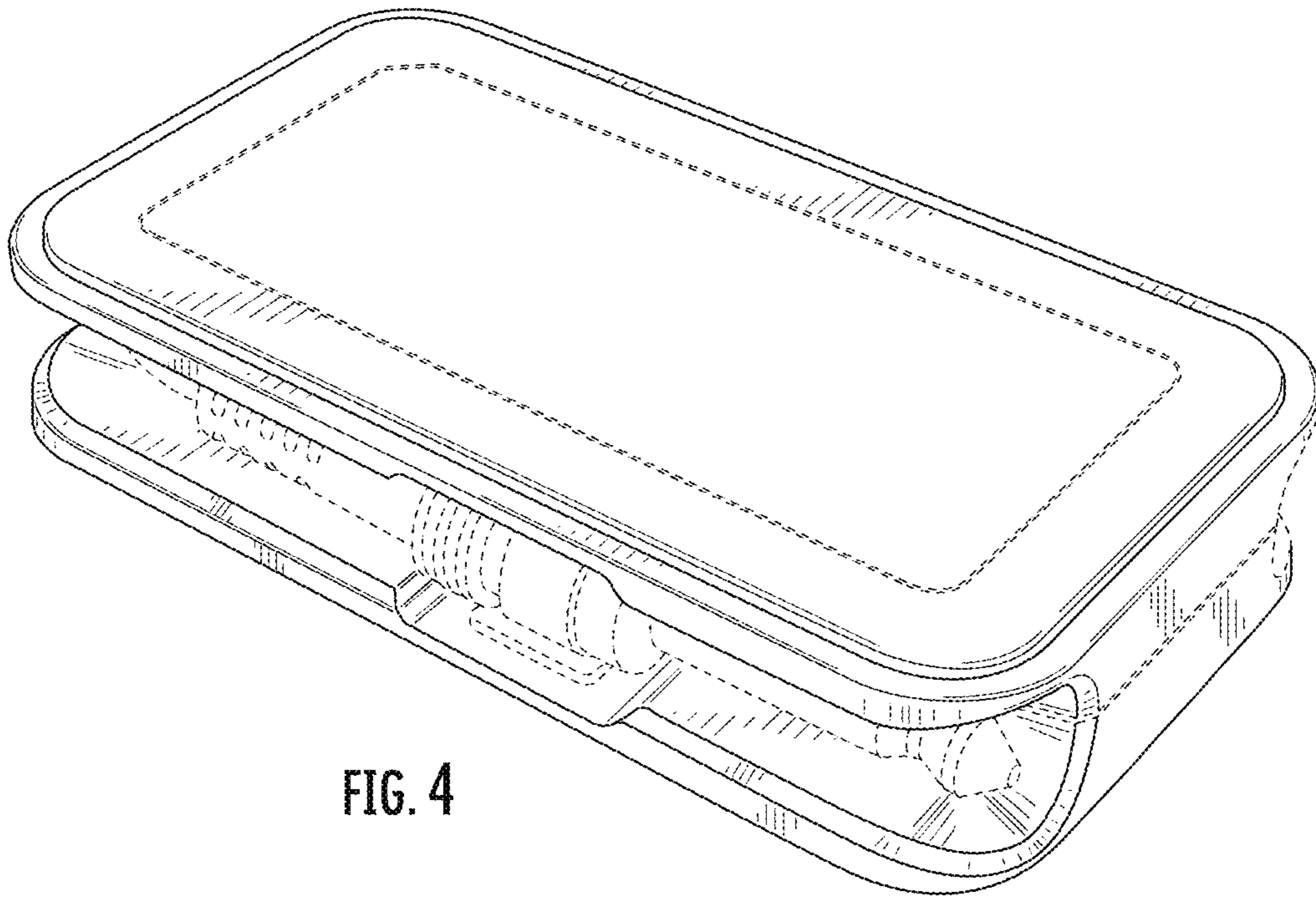


FIG. 4

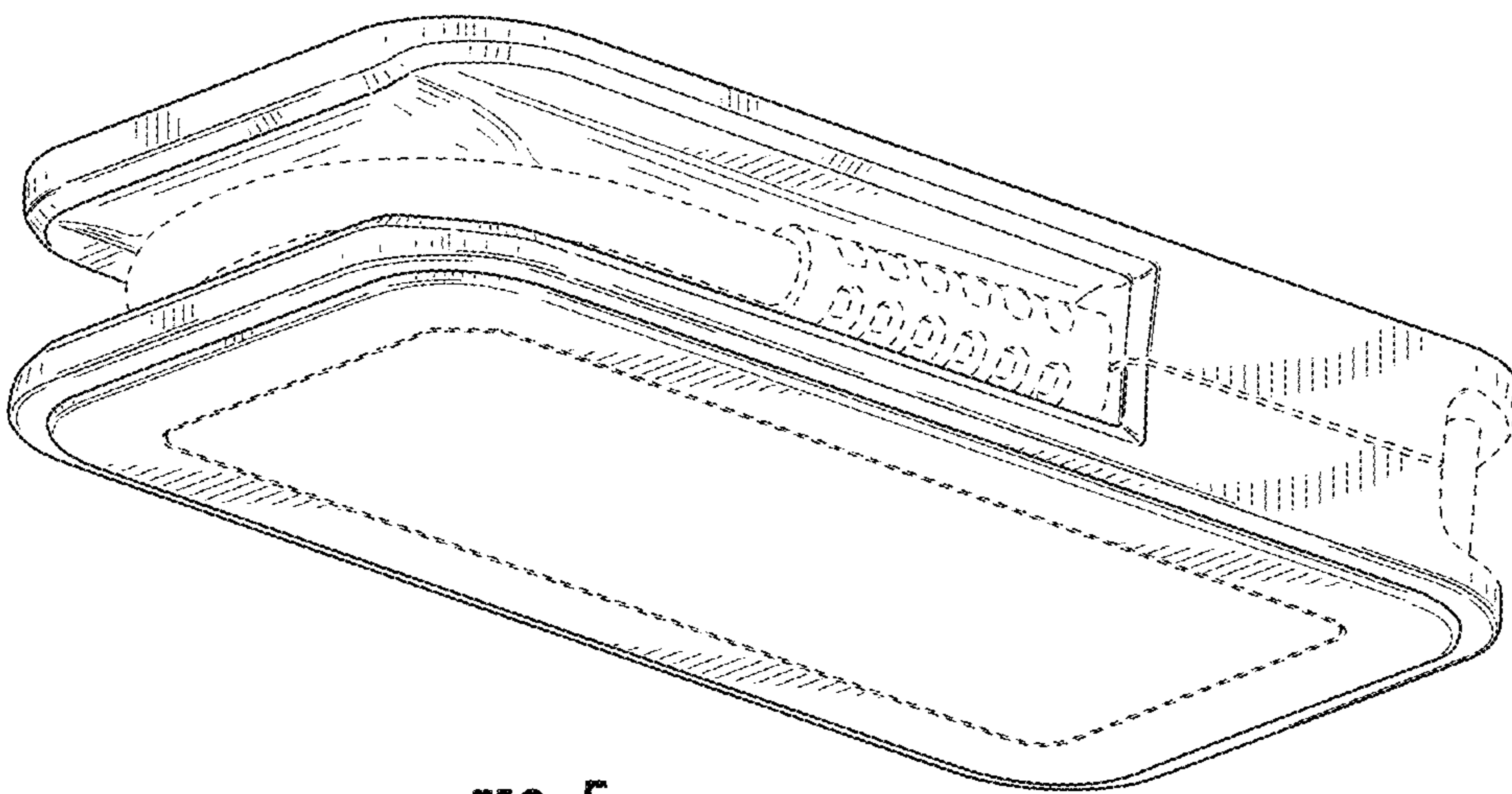


FIG. 5

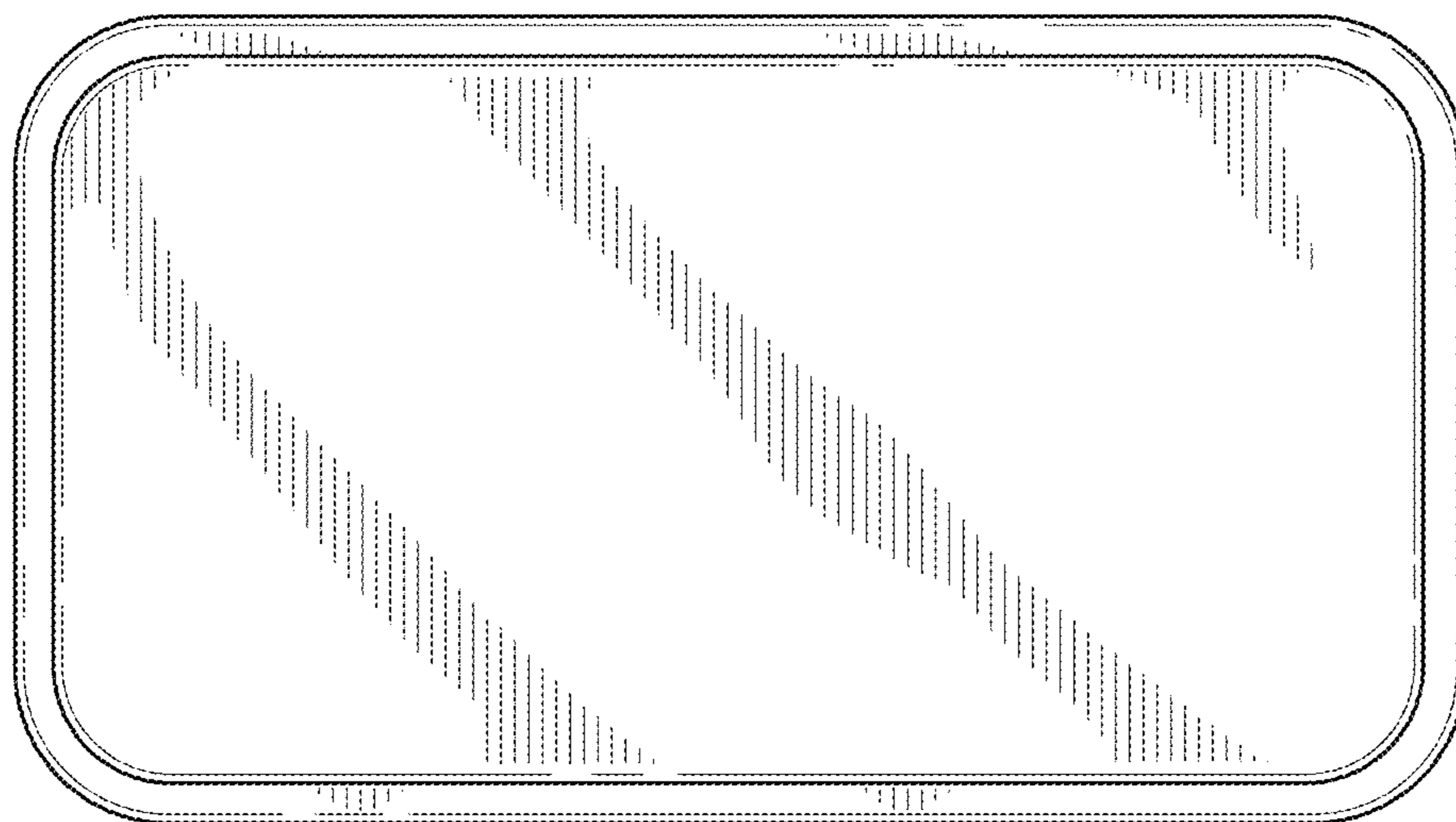


FIG. 6

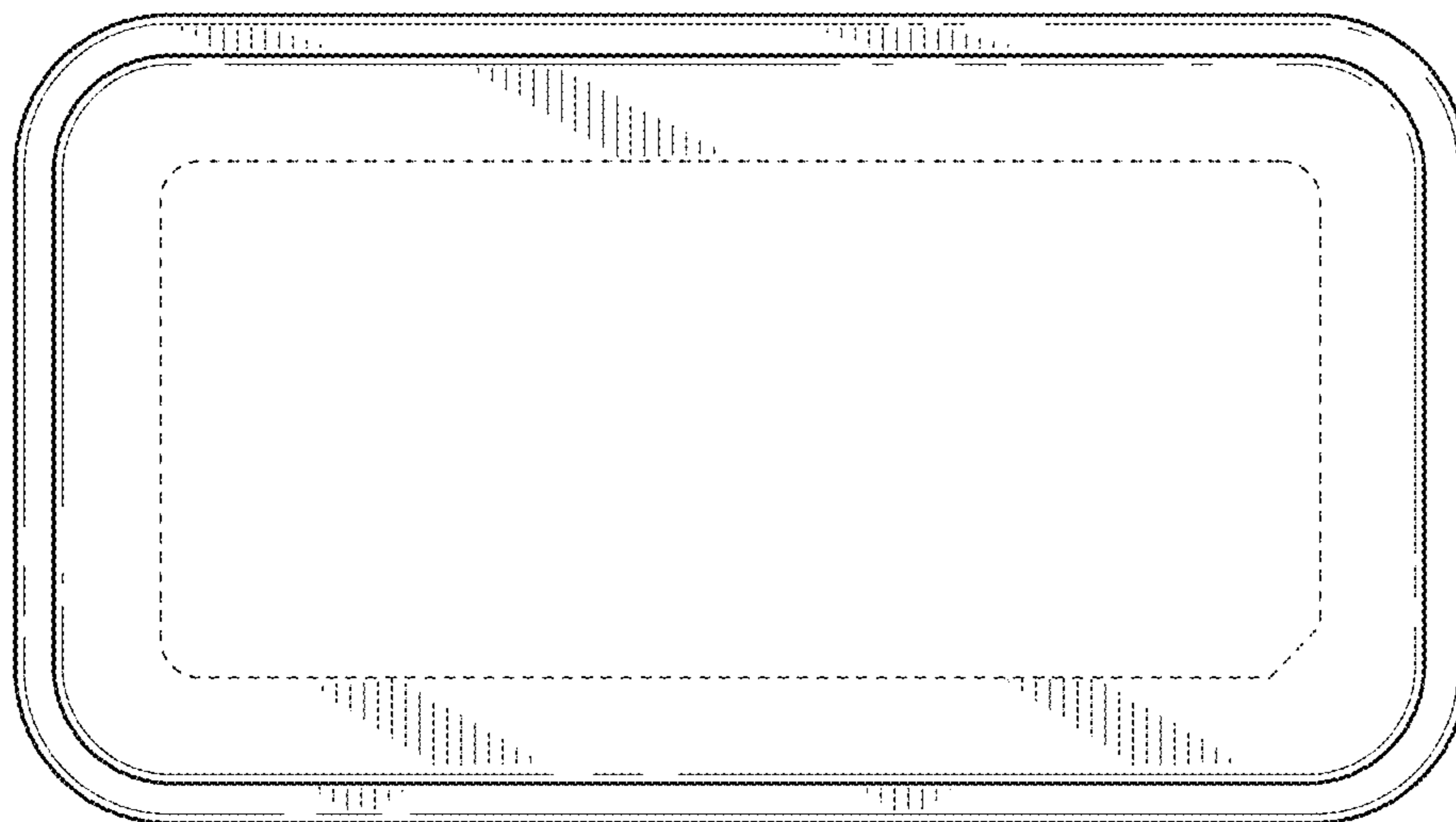


FIG. 7

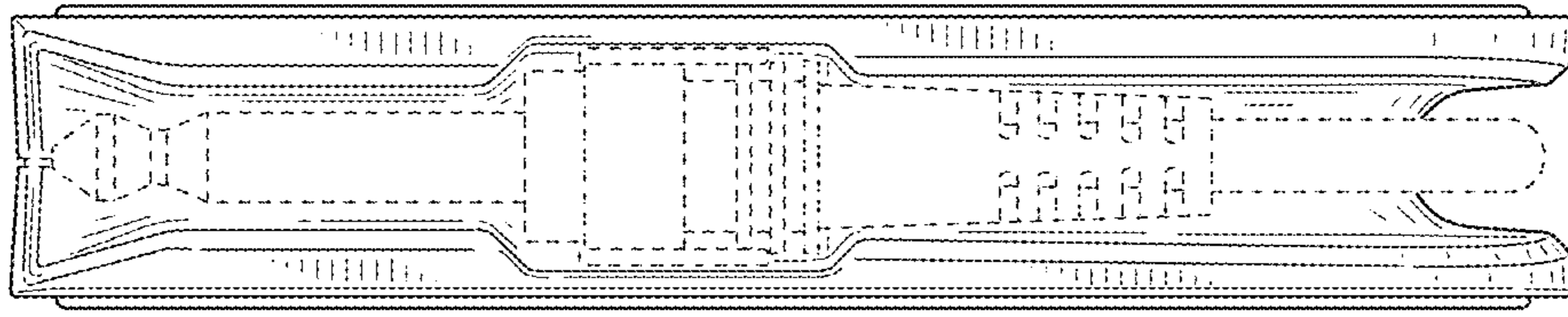


FIG. 8

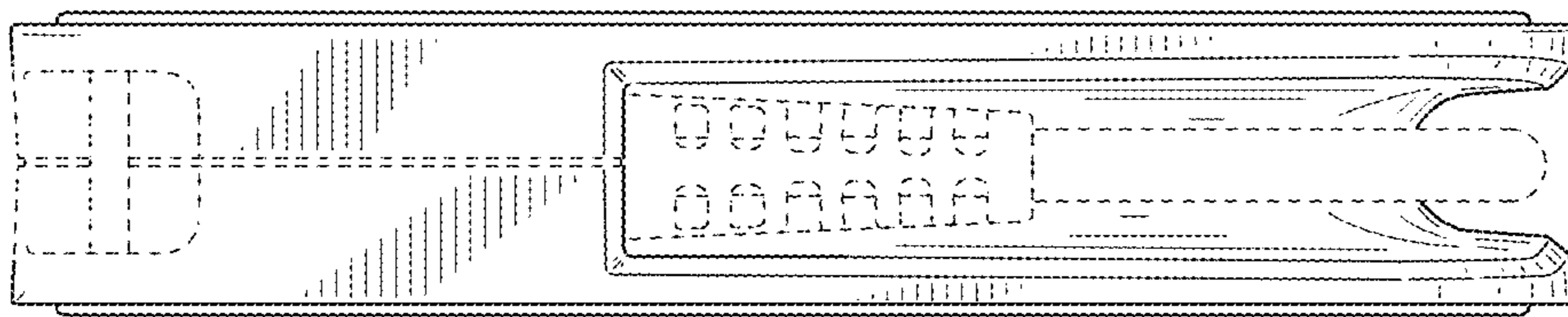


FIG. 9

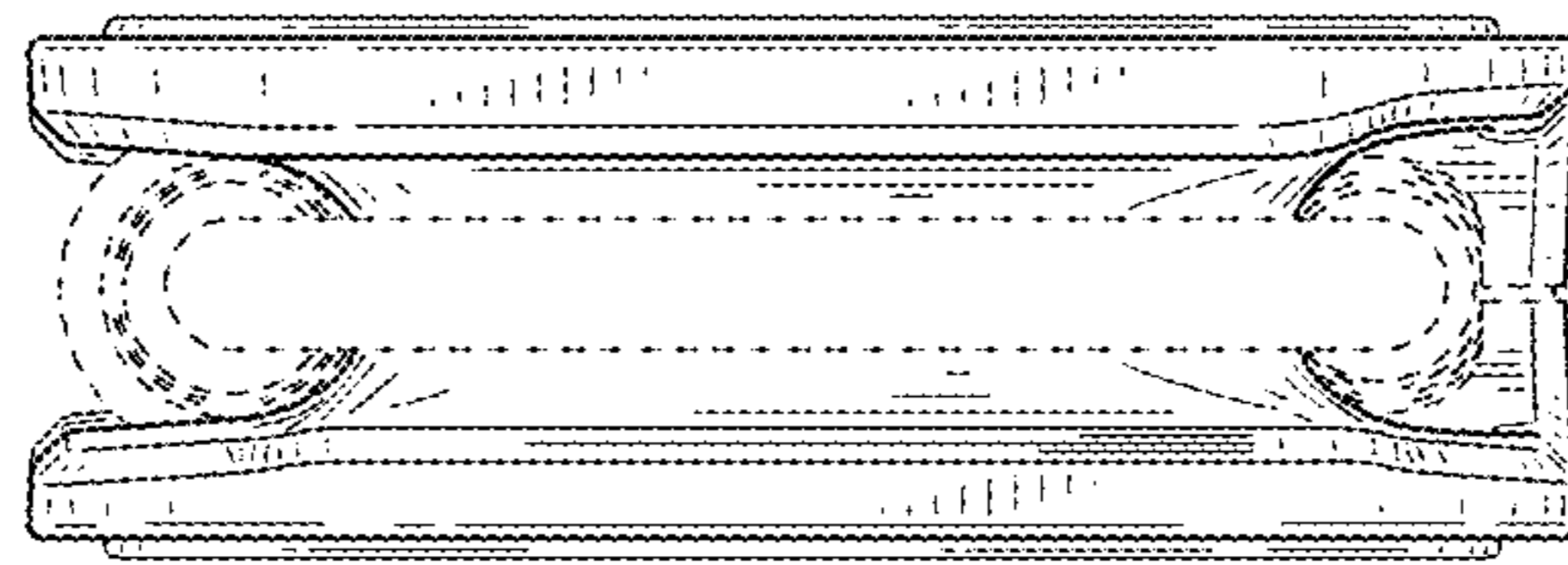


FIG. 10

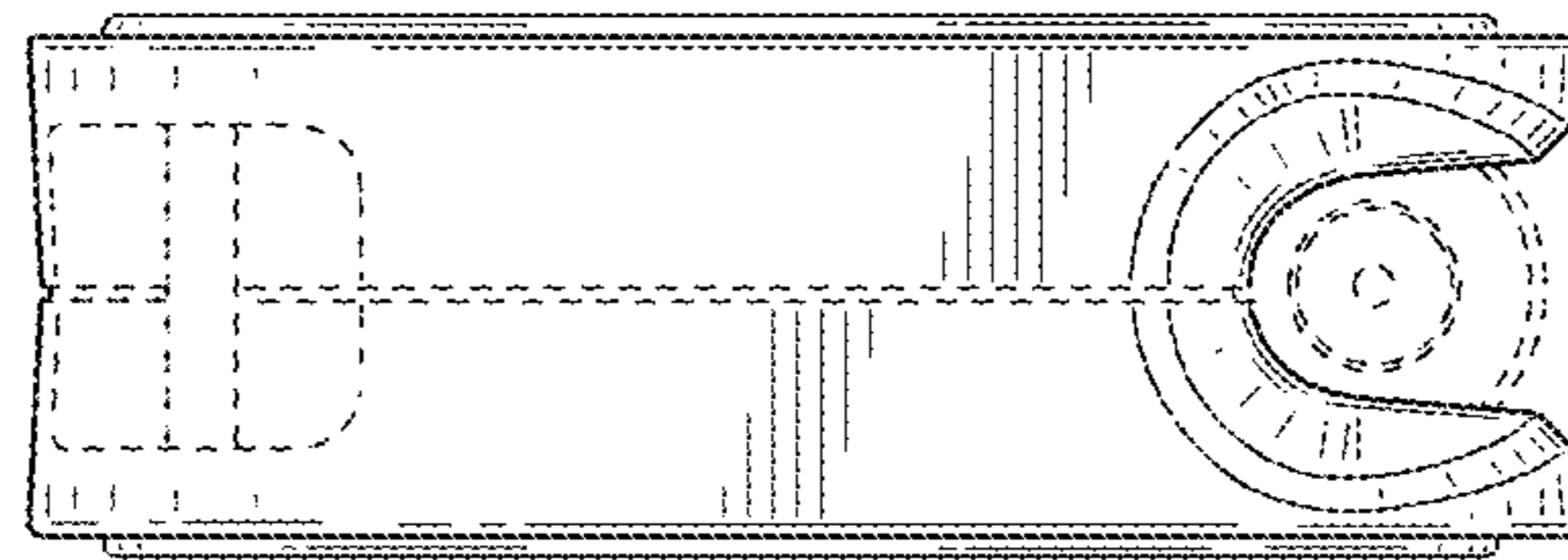


FIG. 11

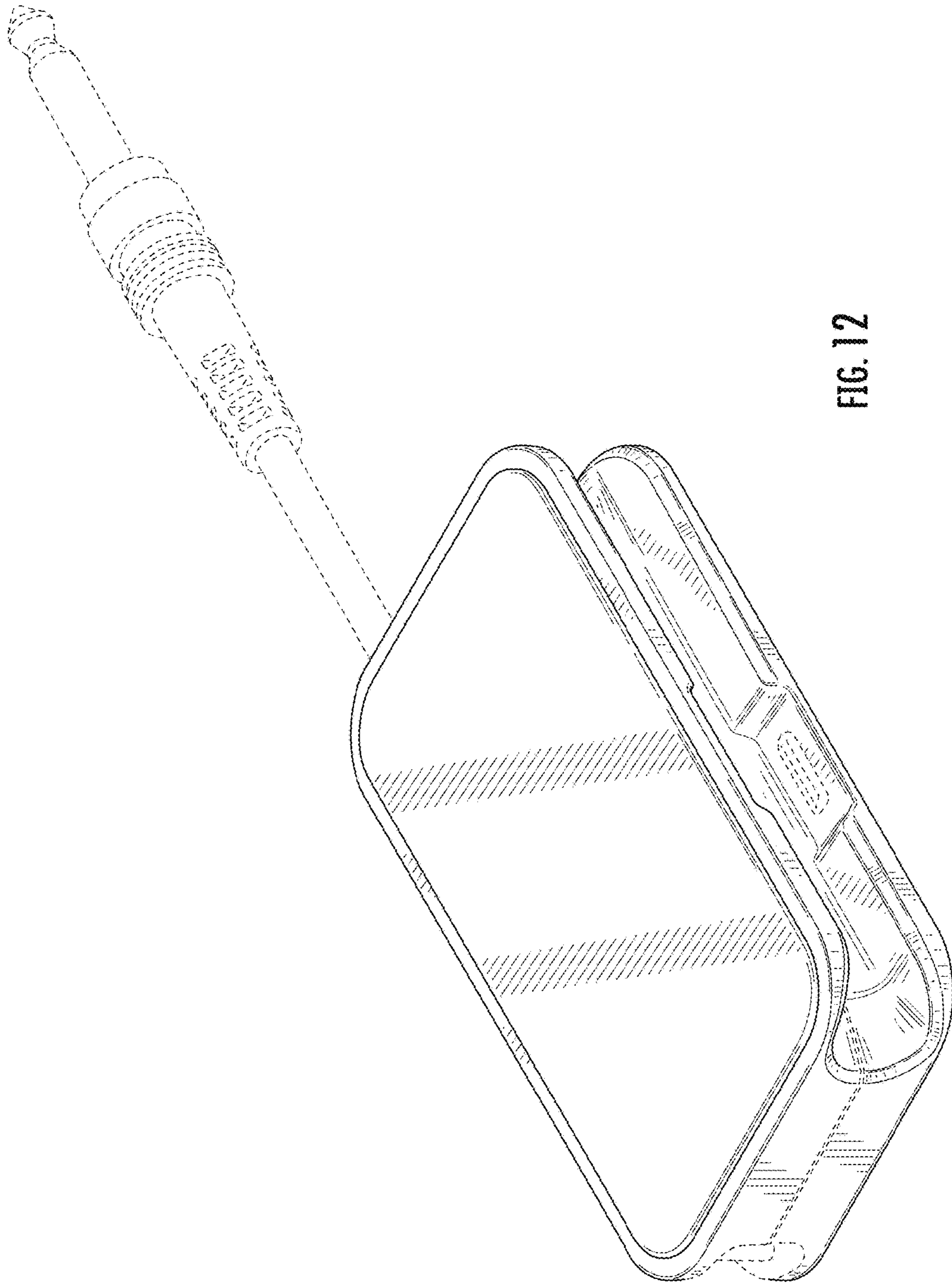


FIG. 12

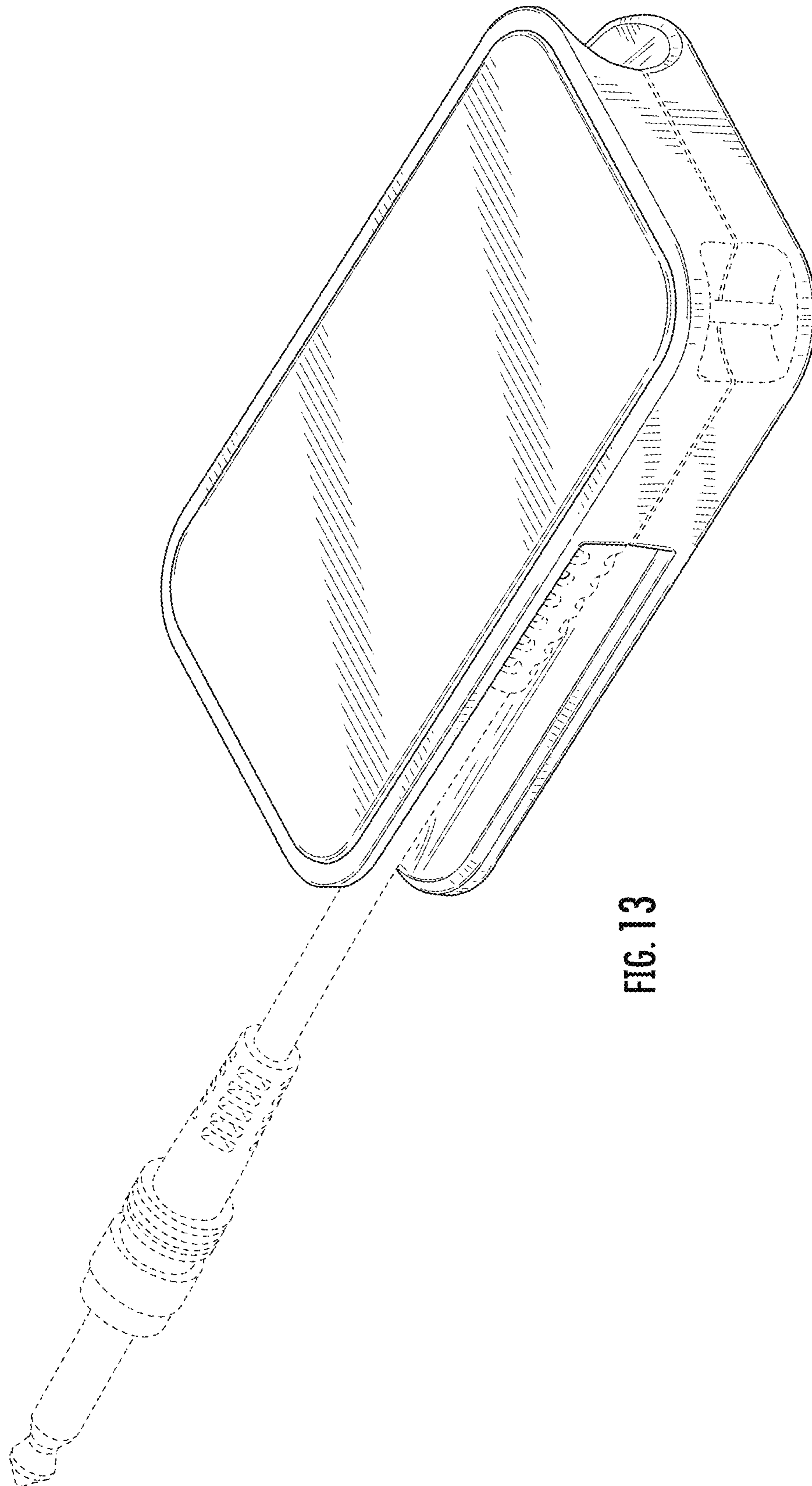


FIG. 13

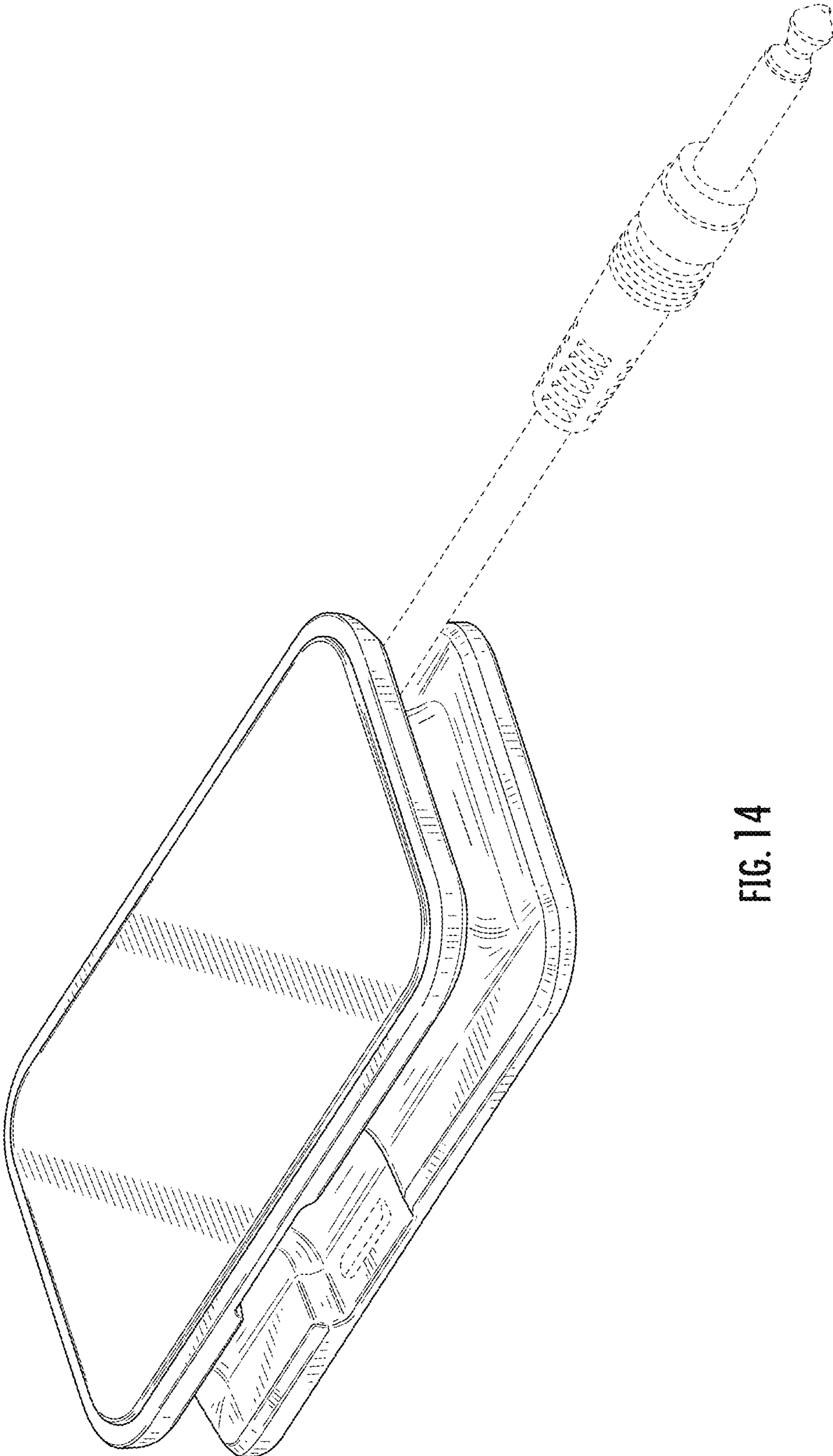


FIG. 14

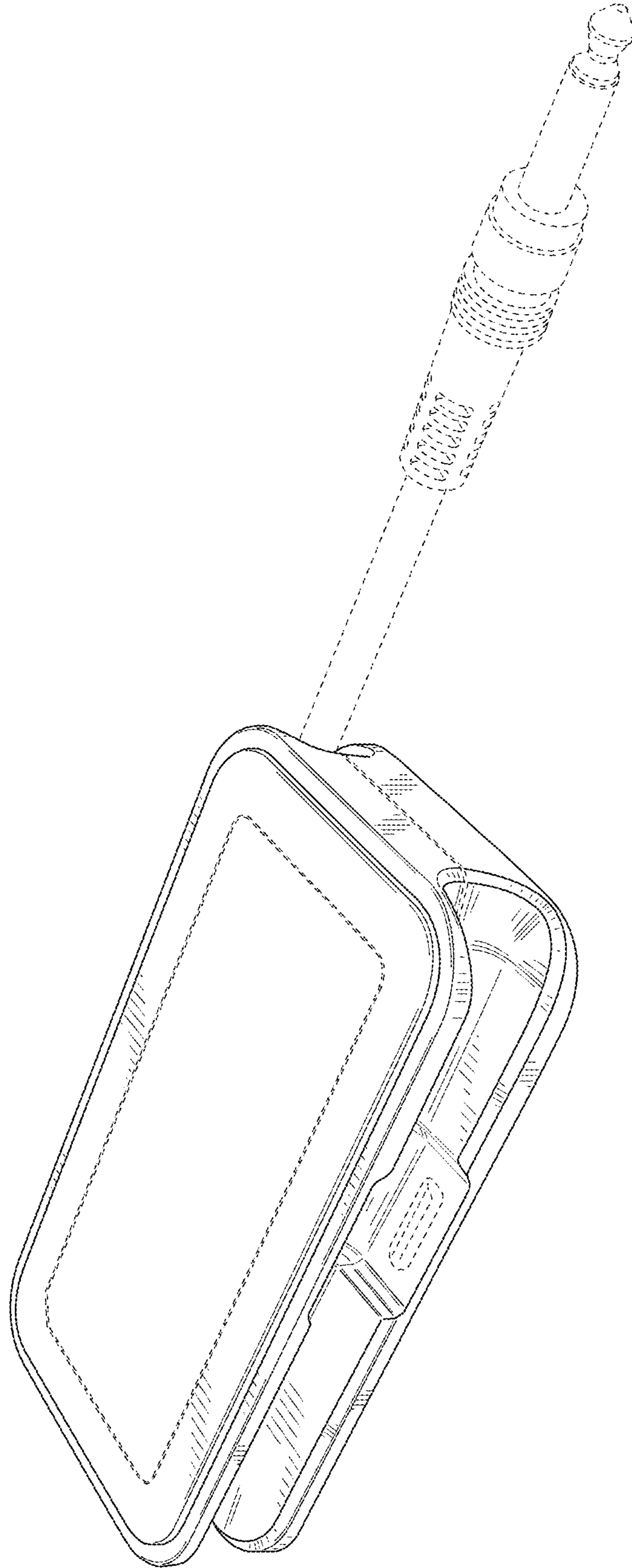


FIG. 15

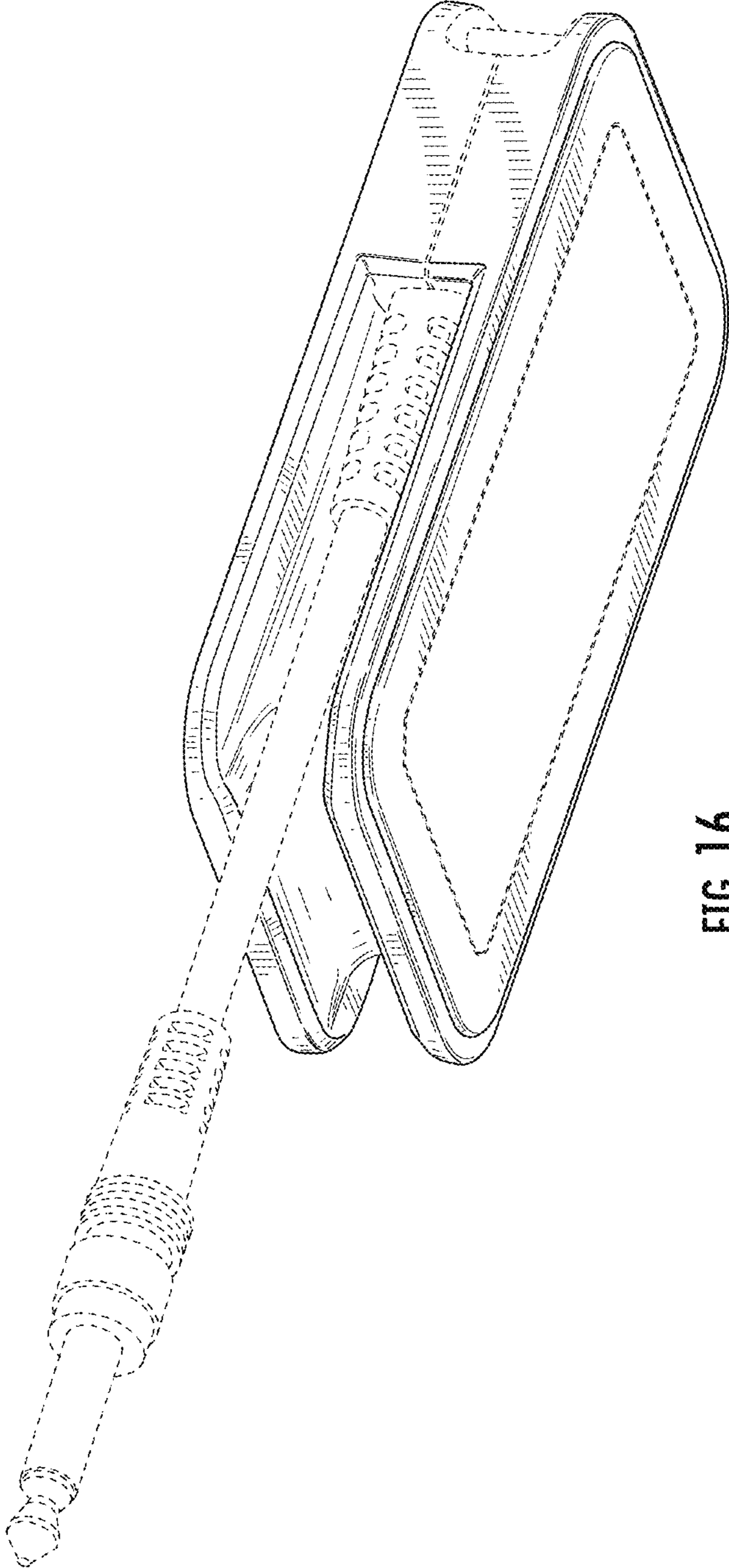


FIG. 16

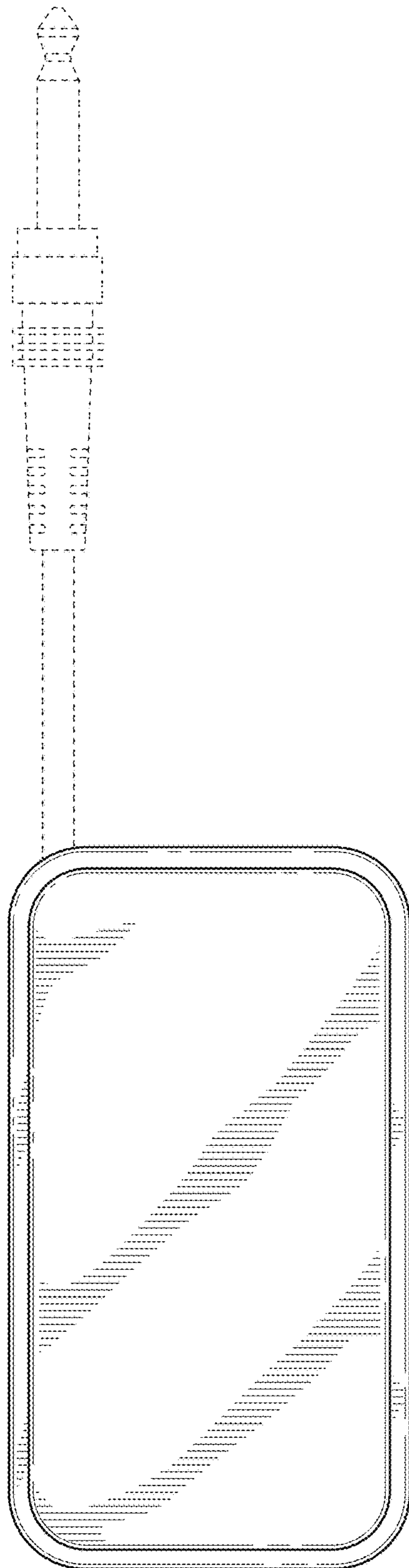


FIG. 17

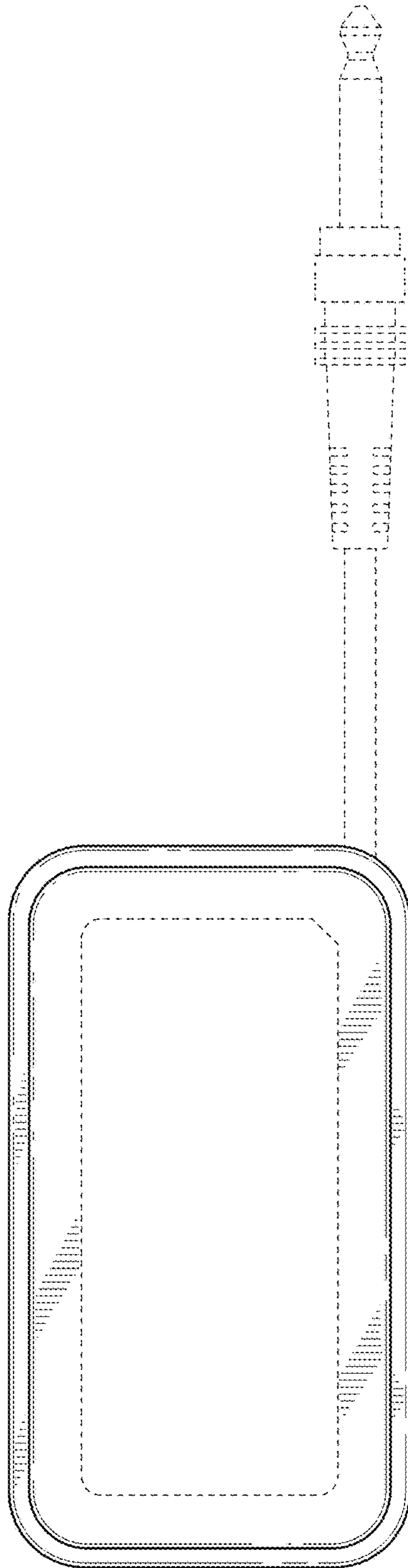


FIG. 18

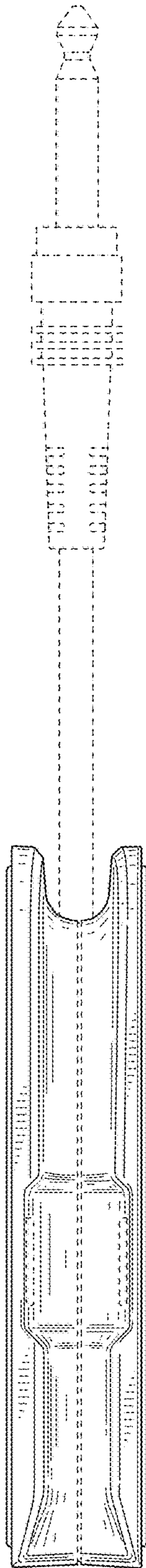


FIG. 19

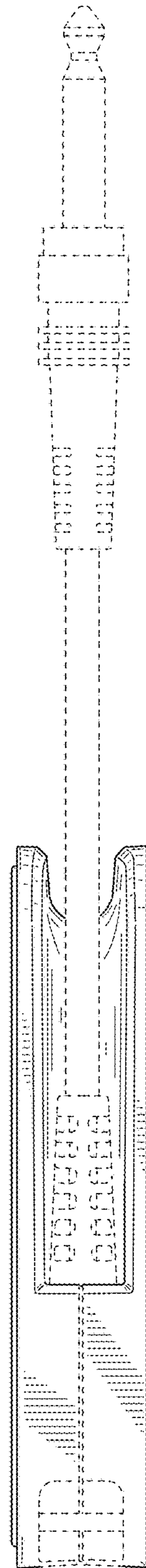


FIG. 20

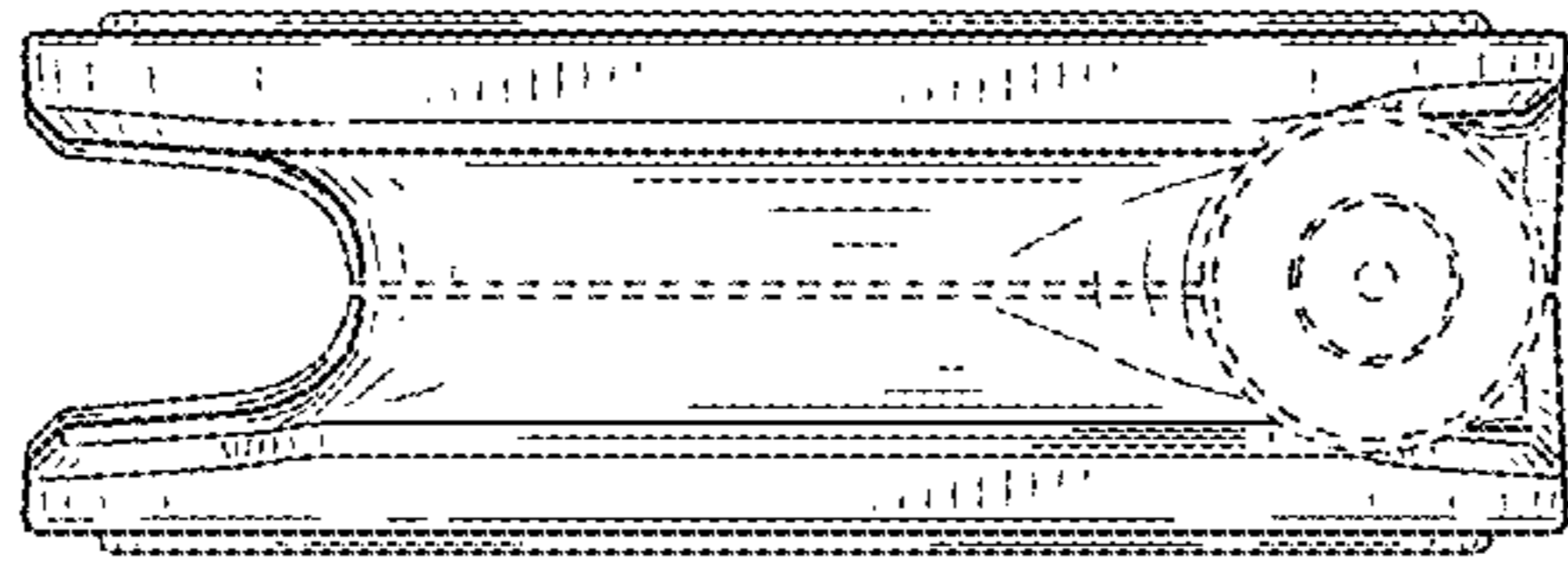


FIG. 21

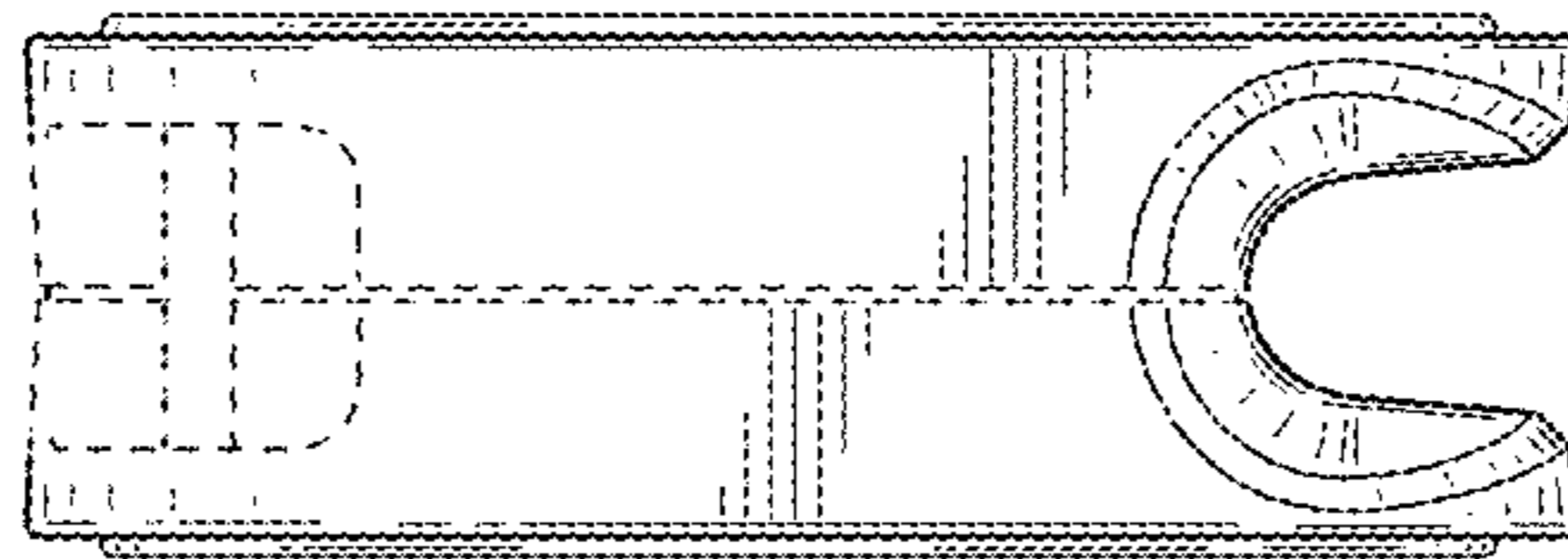


FIG. 22