



US00D858528S

(12) **United States Design Patent**
Jhun et al.

(10) **Patent No.:** **US D858,528 S**
(45) **Date of Patent:** **** Sep. 3, 2019**

(54) **RECEPTACLE MODULE FOR A TABLETOP MEDIA CENTER**

(71) Applicant: **Crestron Electronics, Inc.**, Rockleigh, NJ (US)

(72) Inventors: **Sae Jhun**, Bayside, NY (US); **Wendy Feldstein**, Old Tappan, NJ (US)

(73) Assignee: **Crestron Electronics, Inc.**, Rockleigh, NJ (US)

(**) Term: **15 Years**

(21) Appl. No.: **29/661,377**

(22) Filed: **Aug. 27, 2018**

Related U.S. Application Data

(63) Continuation of application No. 29/661,376, filed on Aug. 27, 2018, which is a continuation-in-part of application No. 29/628,658, filed on Dec. 6, 2017.

(51) **LOC (12) Cl.** **14-02**

(52) **U.S. Cl.**
USPC **D14/432**

(58) **Field of Classification Search**

USPC D14/300-302, 308-313, 314, 348,
D14/353-355, 432, 439-446, 240;
361/679.02, 679.31, 679.5, 690, 694,
361/679.23, 801, 802; 312/332.1, 334.1;
D13/162; D10/50
CPC A45C 11/00; A45C 2011/003; B60R
11/0241; B60R 11/0252; F16M 13/00;
F16M 11/00

See application file for complete search history.

(56) **References Cited**

U.S. PATENT DOCUMENTS

7,388,164 B2 * 6/2008 Scanzillo H02G 3/185
174/482
9,407,033 B2 * 8/2016 Kong H01R 13/5227
(Continued)

Primary Examiner — Austin Murphy

(74) *Attorney, Agent, or Firm* — Crestron Electronics, Inc.

(57) **CLAIM**

The ornamental design for a receptacle module for a tabletop media center, as shown and described.

DESCRIPTION

FIG. 1 shows a top perspective view of a receptacle module for a tabletop media center according to a first embodiment. FIG. 2 shows a top view of the receptacle module for a tabletop media center according to the first embodiment. FIG. 3 shows a front view of the receptacle module for a tabletop media center according to the first embodiment. FIG. 4 shows a rear view of the receptacle module for a tabletop media center according to the first embodiment. FIG. 5 shows a left side view of the receptacle module for a tabletop media center according to the first embodiment. FIG. 6 shows a right side view of the receptacle module for a tabletop media center according to the first embodiment. FIG. 7 shows a top perspective view of the receptacle module for a tabletop media center according to the first embodiment, wherein the tabletop media center shown in broken lines illustrates the environment in which the design is used and forms no part of the claimed design.

FIG. 8 shows a top perspective view of a receptacle module for a tabletop media center according to a second embodiment.

FIG. 9 shows a top view of the receptacle module for a tabletop media center according to the second embodiment. FIG. 10 shows a front view of the receptacle module for a tabletop media center according to the second embodiment. FIG. 11 shows a rear view of the receptacle module for a tabletop media center according to the second embodiment. FIG. 12 shows a left side view of the receptacle module for a tabletop media center according to the second embodiment.

FIG. 13 shows a right side view of the receptacle module for a tabletop media center according to the second embodiment.

FIG. 14 shows a top perspective view of the receptacle module for a tabletop media center according to the second embodiment, wherein the tabletop media center shown in broken lines illustrates the environment in which the design is used and forms no part of the claimed design.

(Continued)

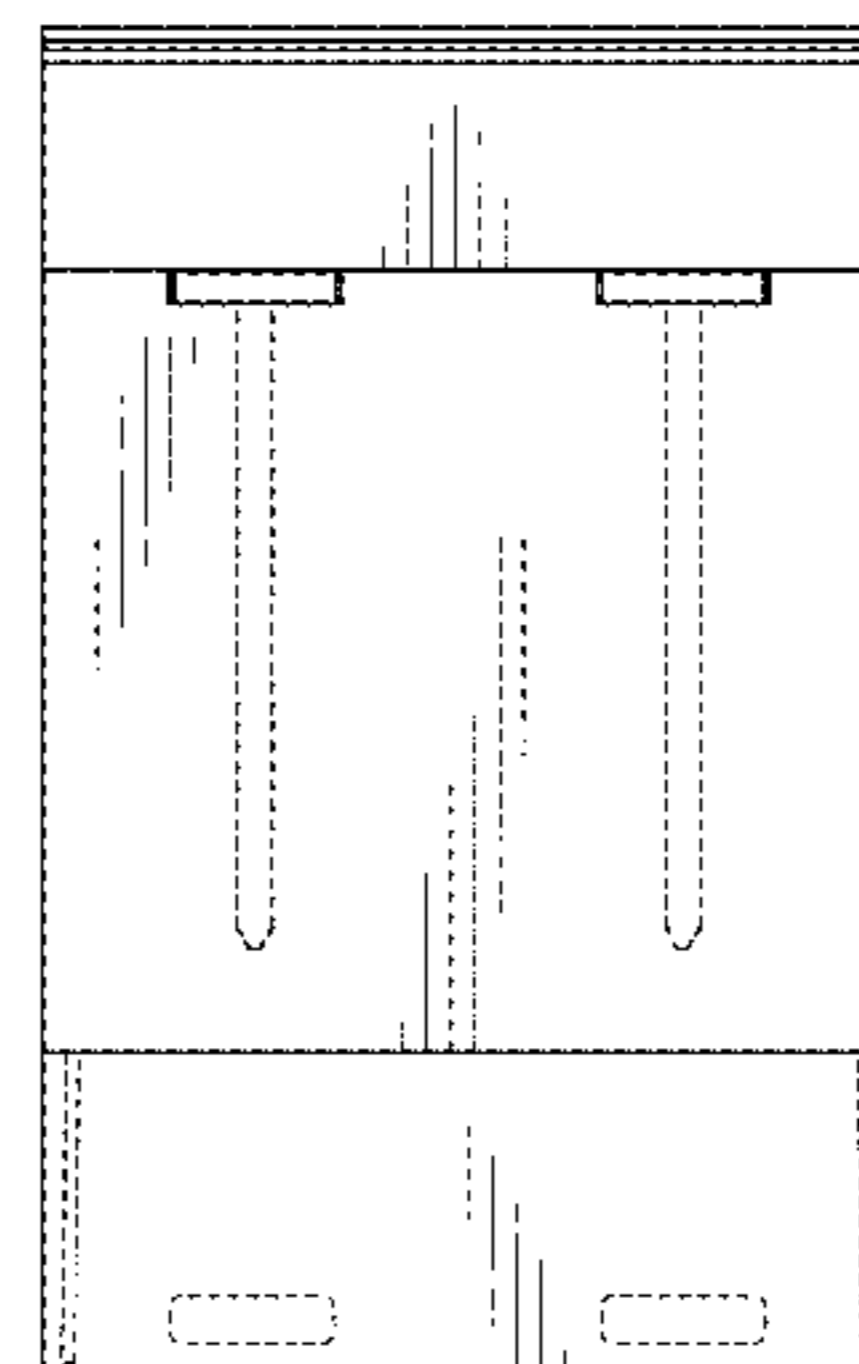
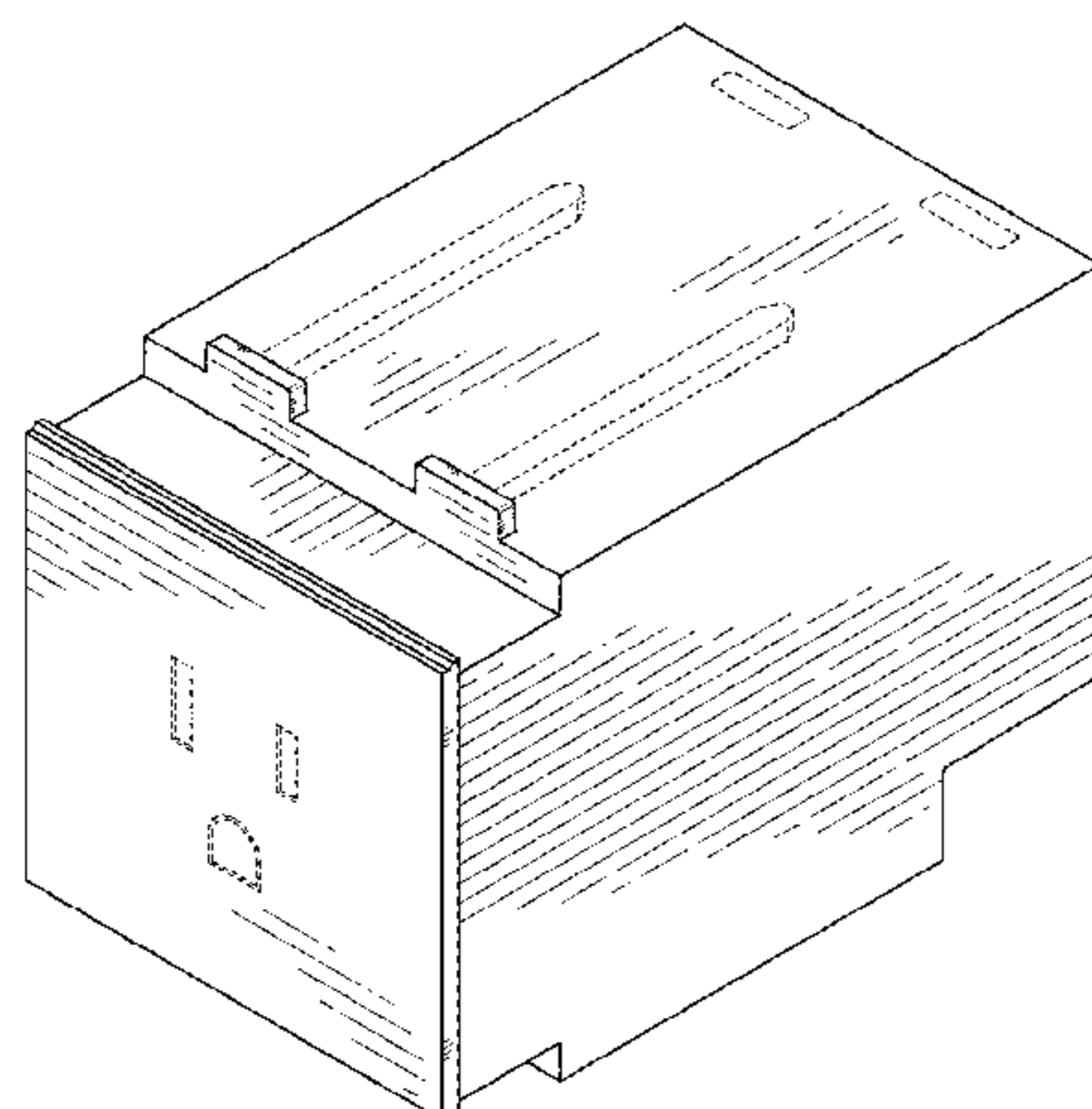


FIG. 15 shows a top perspective view of a receptacle module for a tabletop media center according to a third embodiment. FIG. 16 shows a top view of the receptacle module for a tabletop media center according to the third embodiment. FIG. 17 shows a front view of the receptacle module for a tabletop media center according to the third embodiment. FIG. 18 shows a rear view of the receptacle module for a tabletop media center according to the third embodiment. FIG. 19 shows a left side view of the receptacle module for a tabletop media center according to the third embodiment. FIG. 20 shows a right side view of the receptacle module for a tabletop media center according to the third embodiment; and, FIG. 21 shows a top perspective view of the receptacle module for a tabletop media center according to the third embodiment, wherein the tabletop media center shown in broken lines illustrates the environment in which the design is used and forms no part of the claimed design.

The broken lines in the figures depict portions of the receptacle module for a tabletop media center that form no part of the claimed design.

1 Claim, 21 Drawing Sheets

(56)

References Cited

U.S. PATENT DOCUMENTS

D830,364	S	*	10/2018	Jhun	D14/432
D831,655	S	*	10/2018	Jhun	D14/432
D831,656	S	*	10/2018	Jhun	D14/432
D832,257	S	*	10/2018	Jhun	D14/432
D832,258	S	*	10/2018	Jhun	D14/432
D832,259	S	*	10/2018	Jhun	D14/432

* cited by examiner

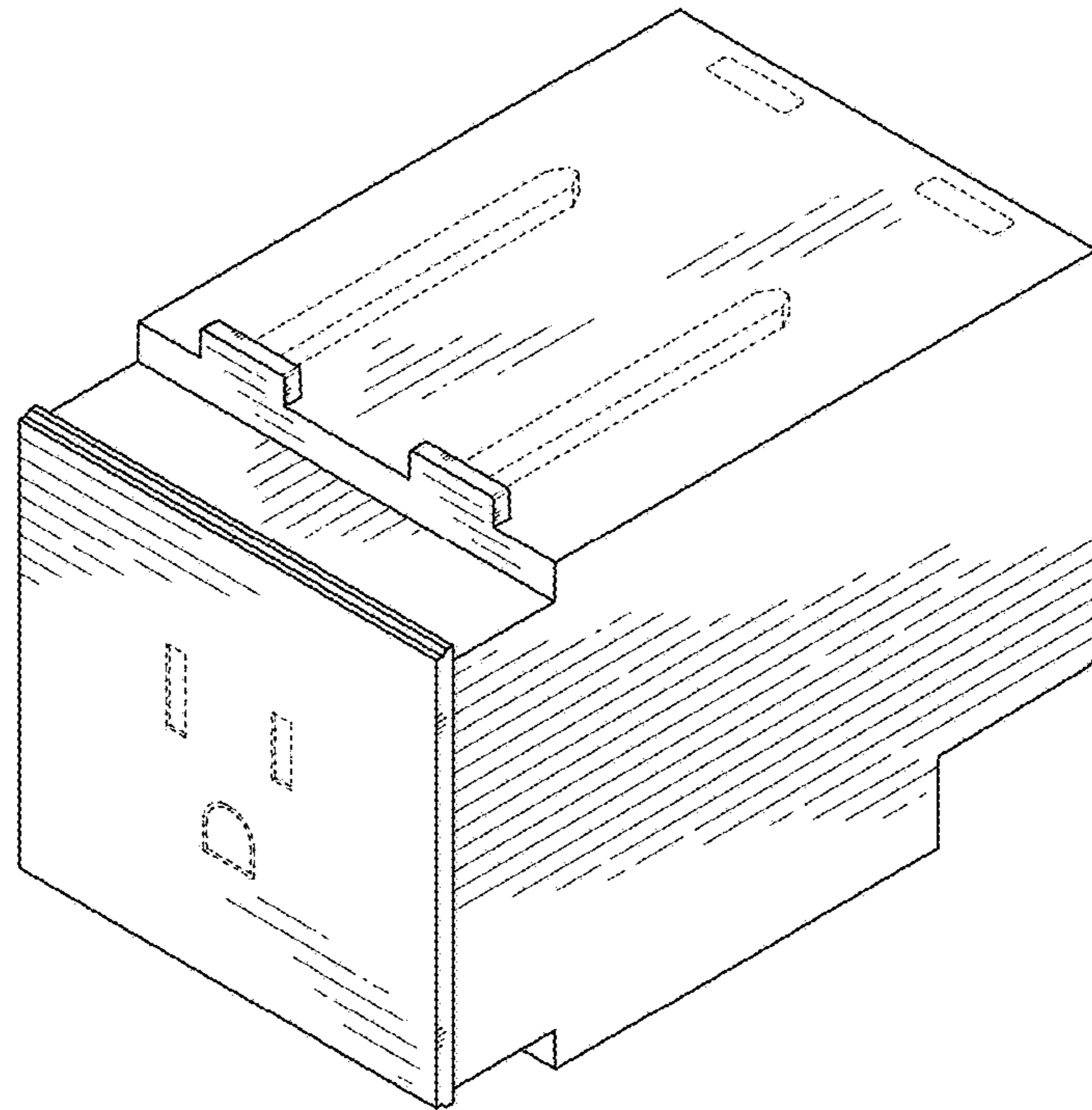


FIG. 1

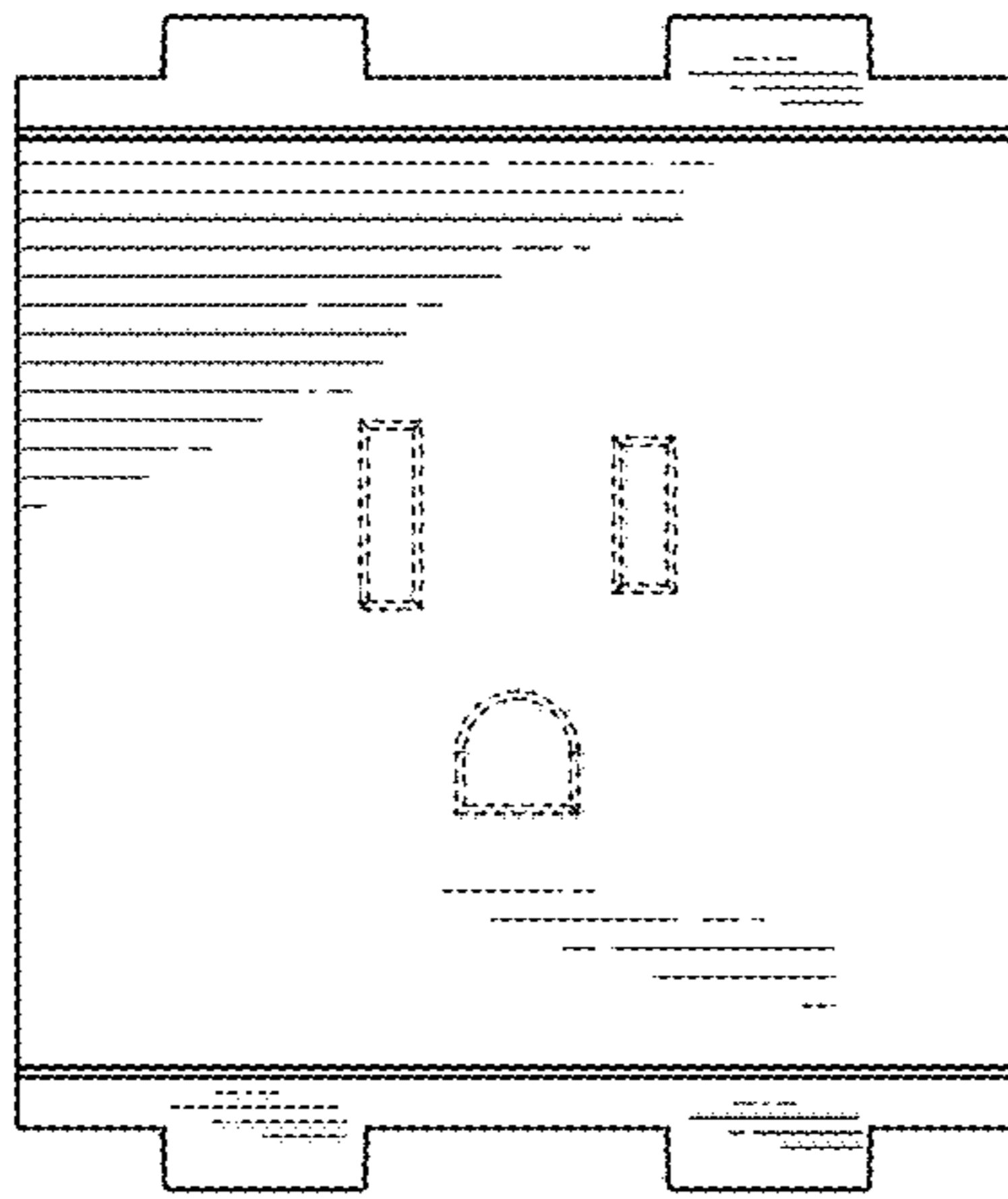


FIG. 2

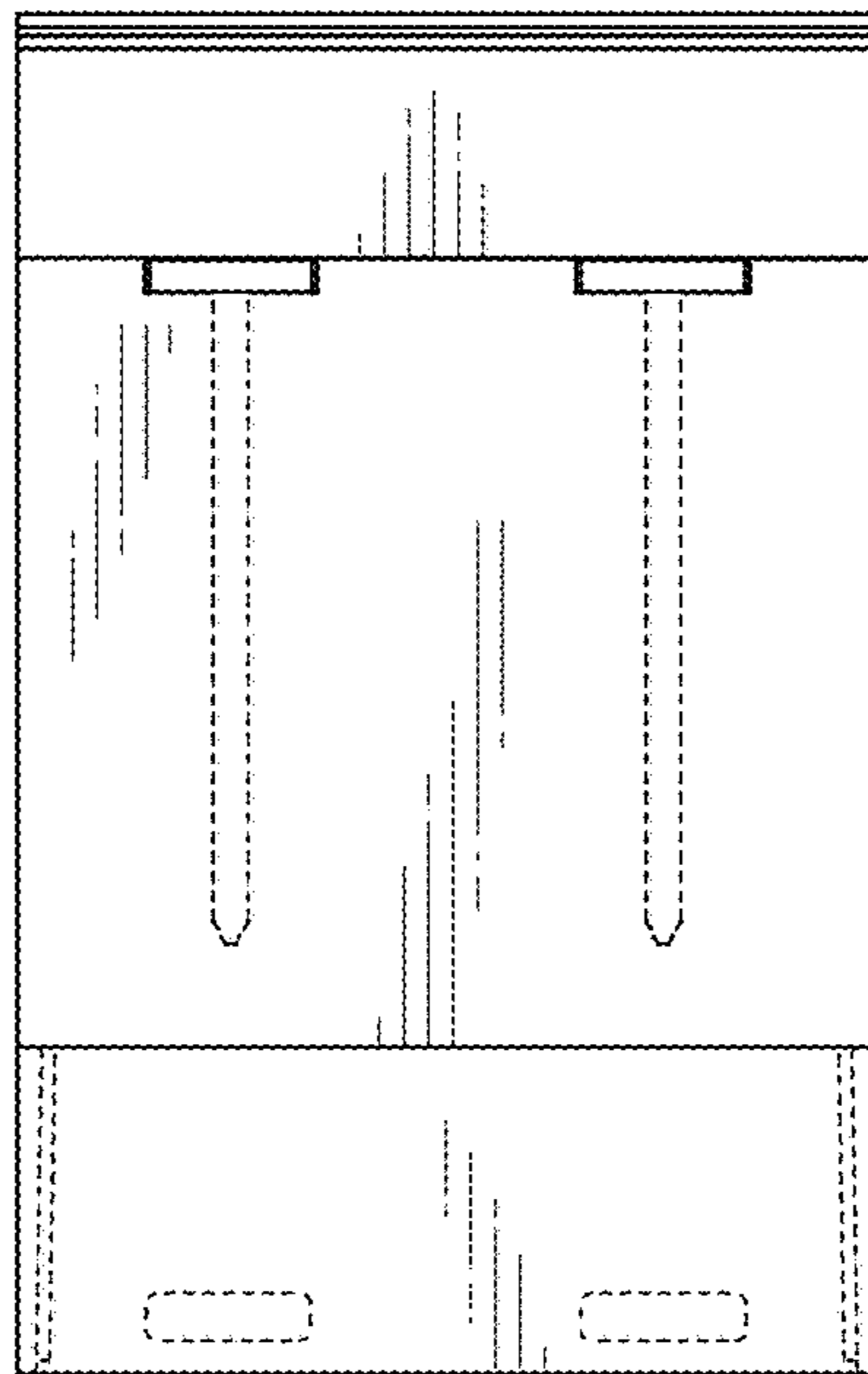


FIG. 3

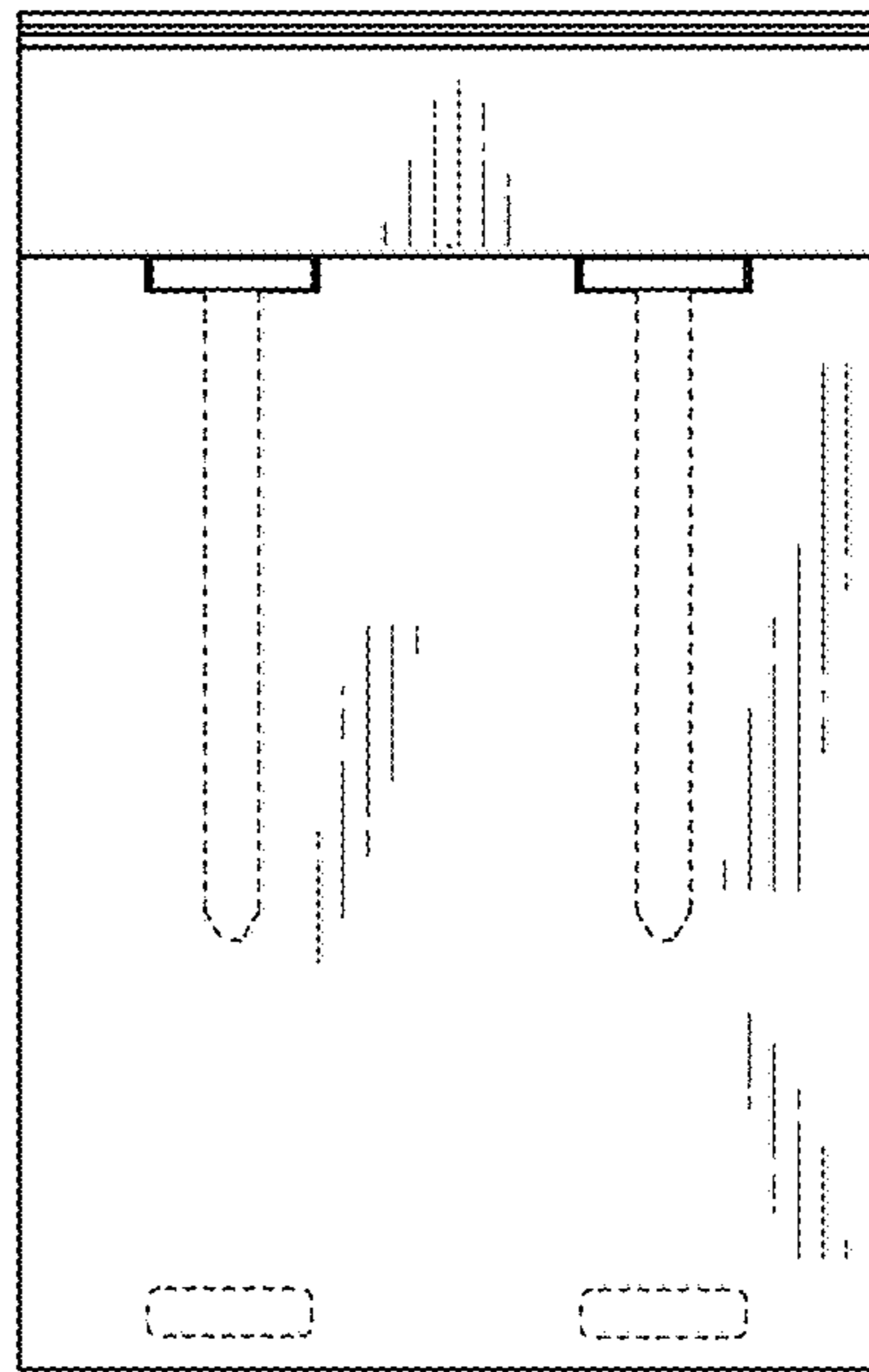


FIG. 4

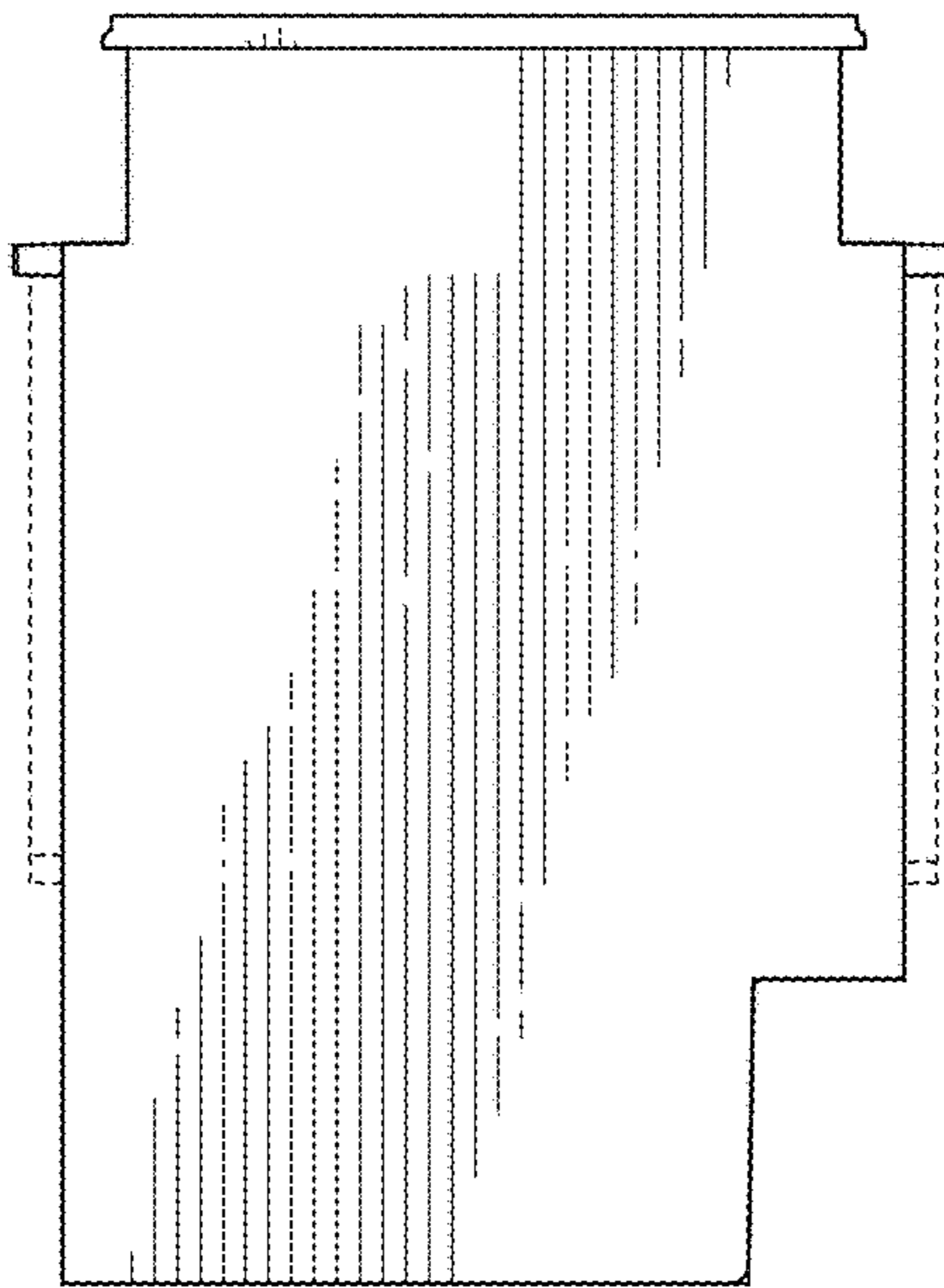


FIG. 5

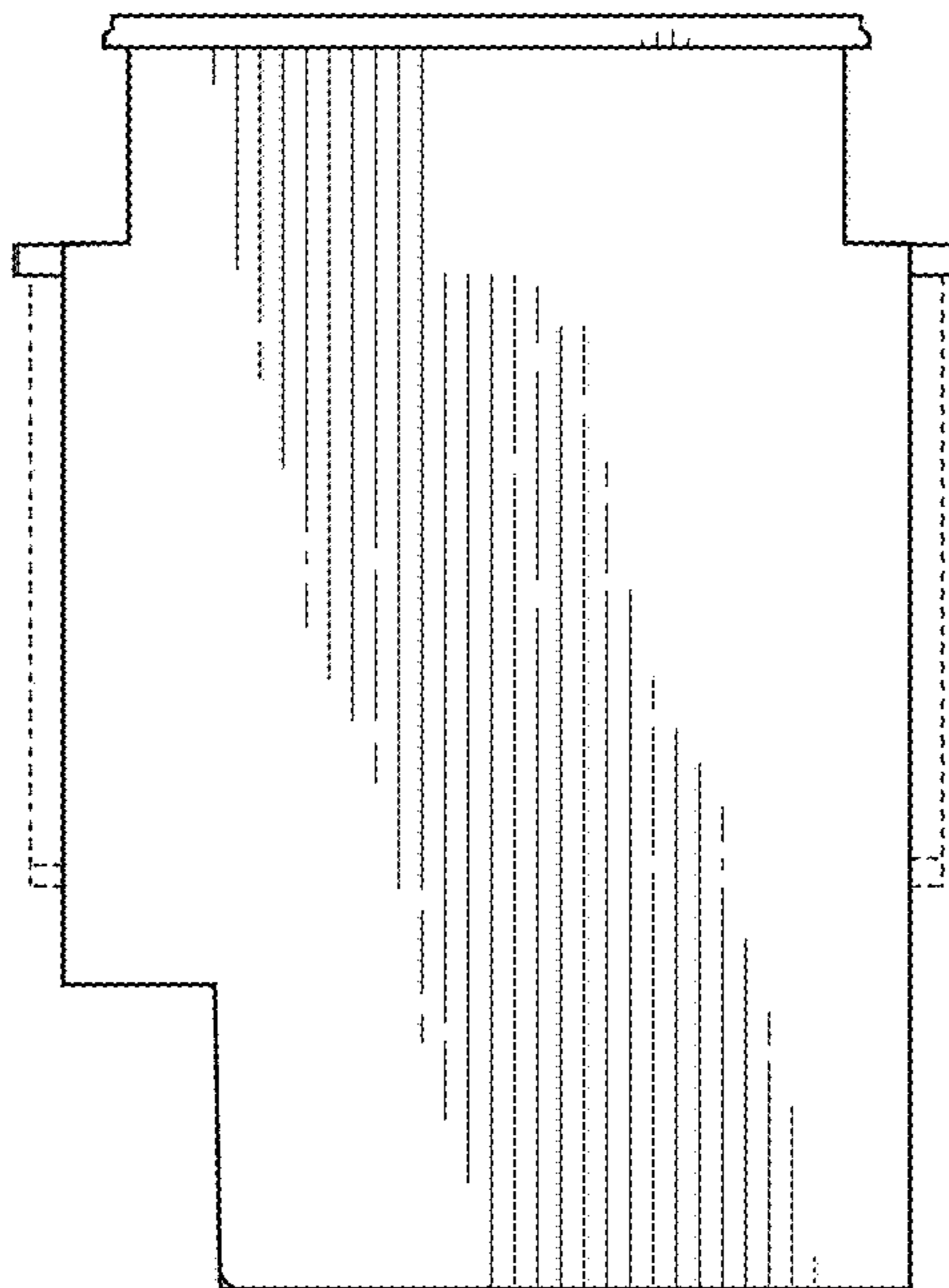


FIG. 6

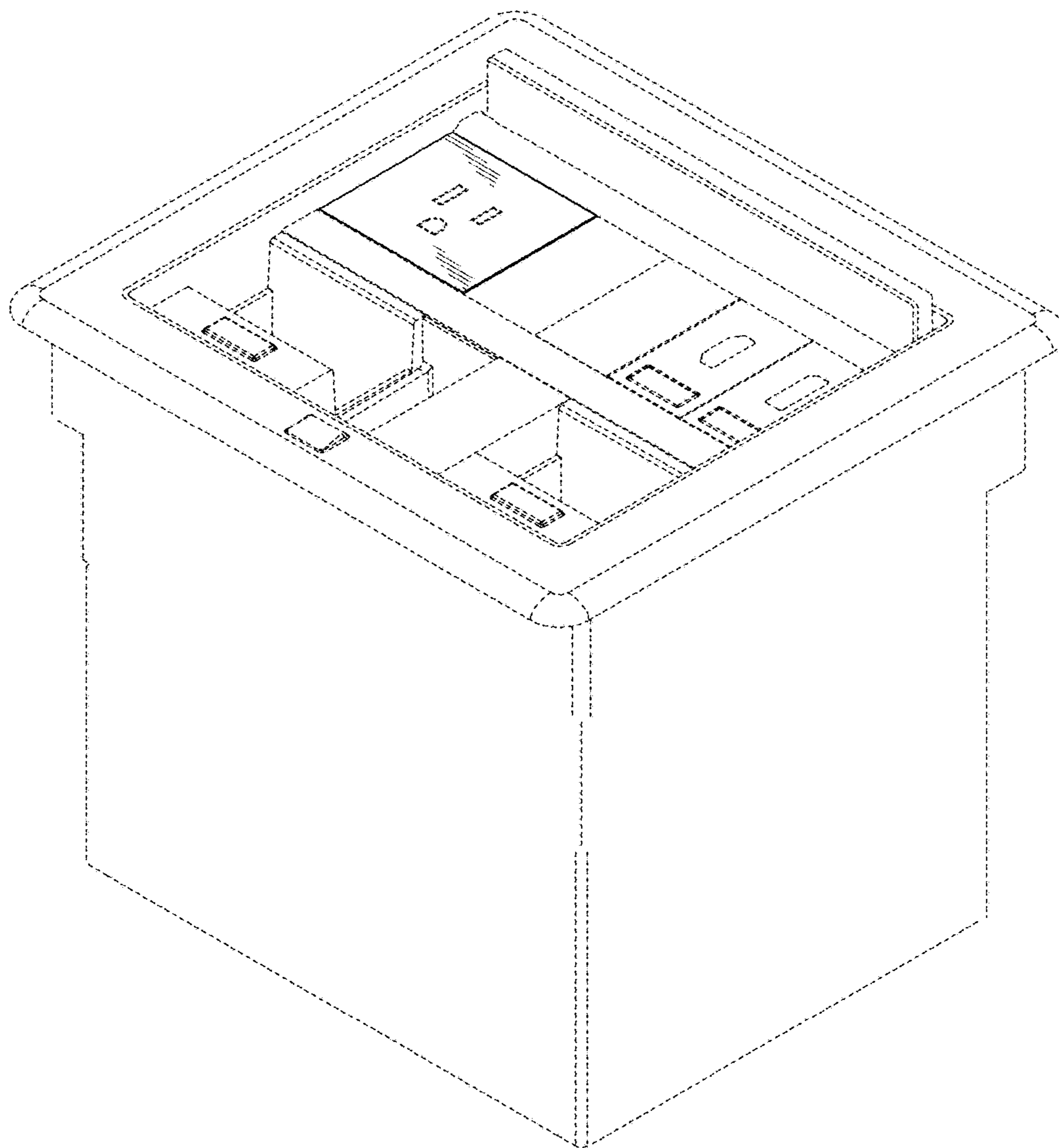


FIG. 7

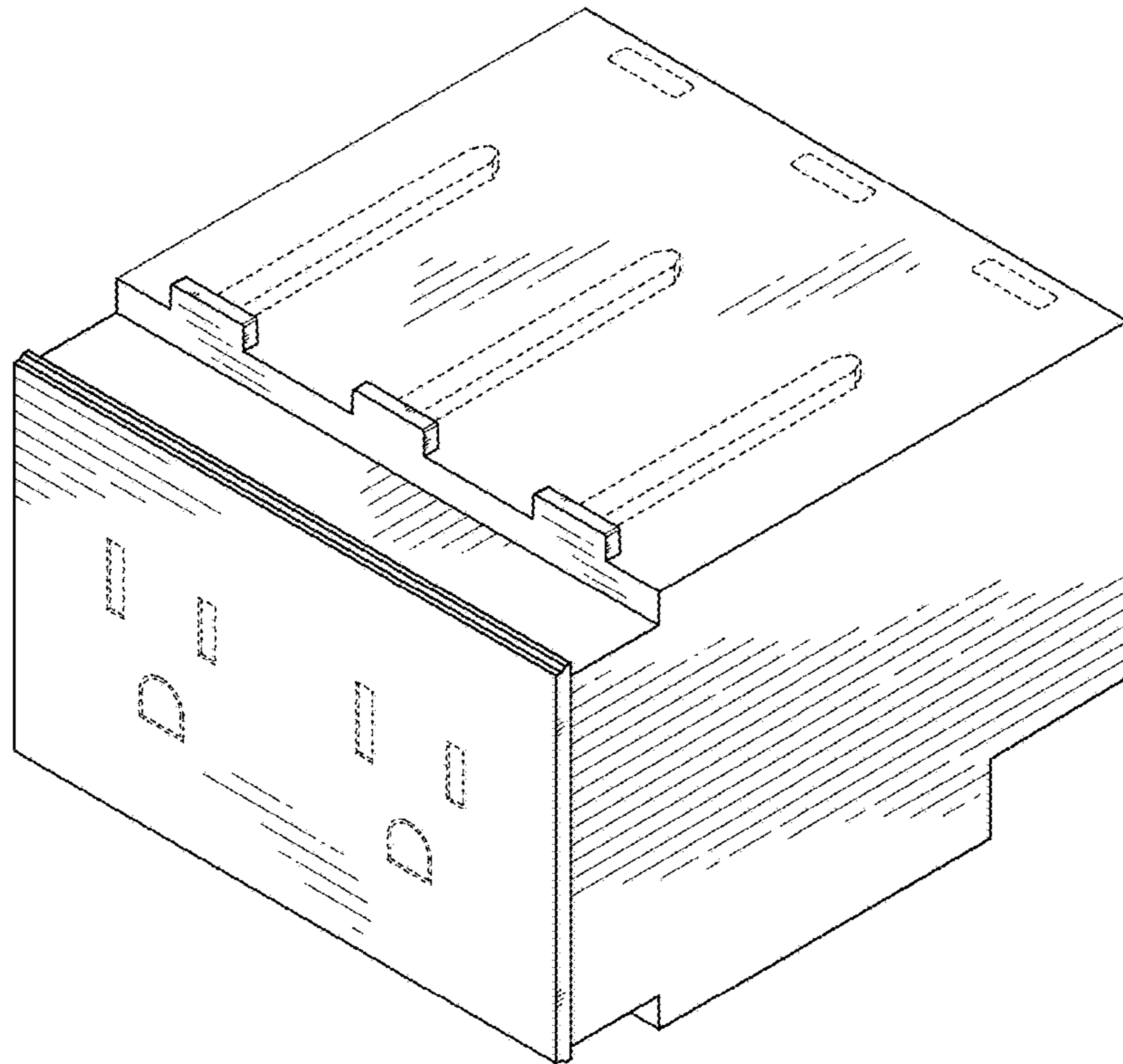


FIG. 8

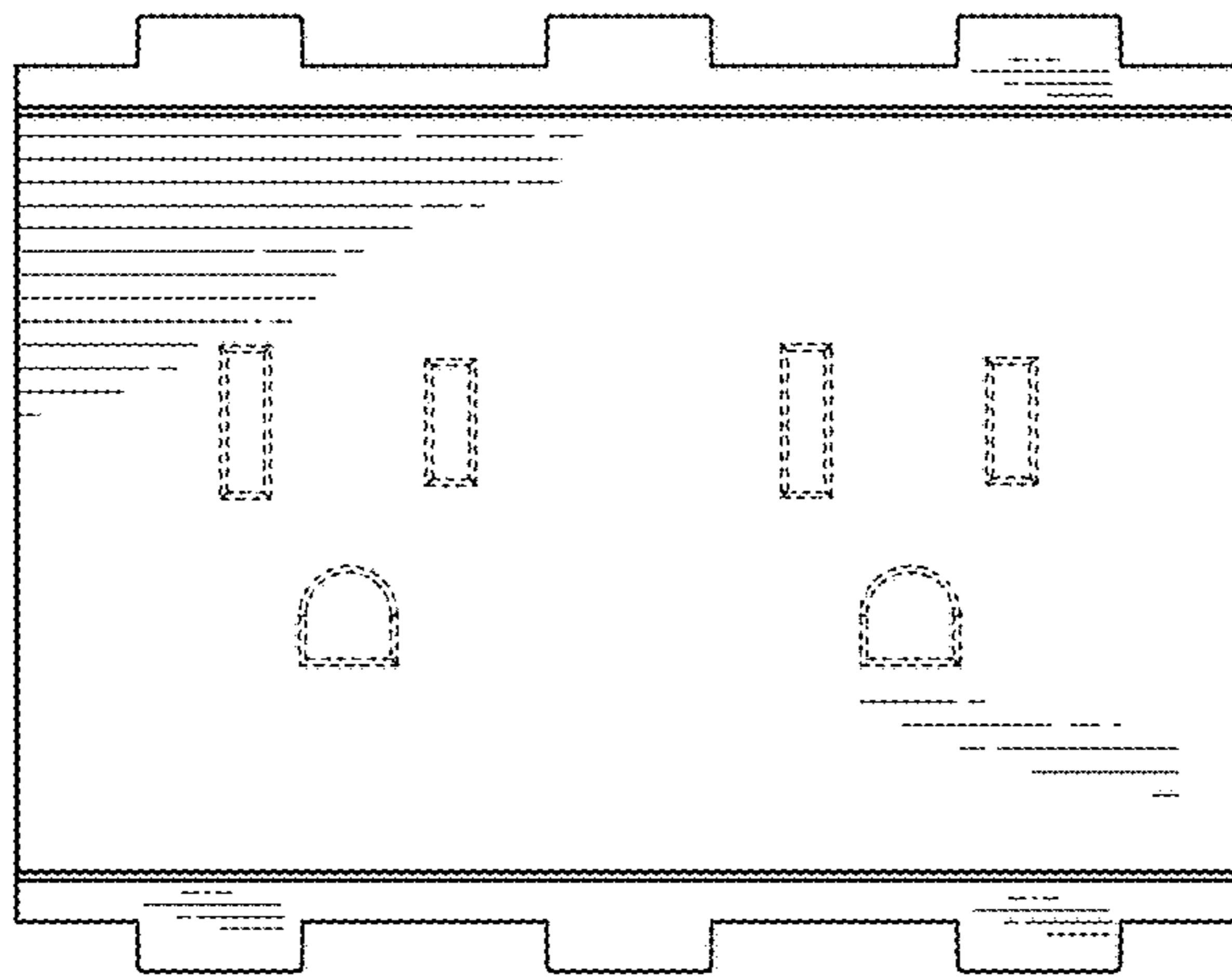


FIG. 9

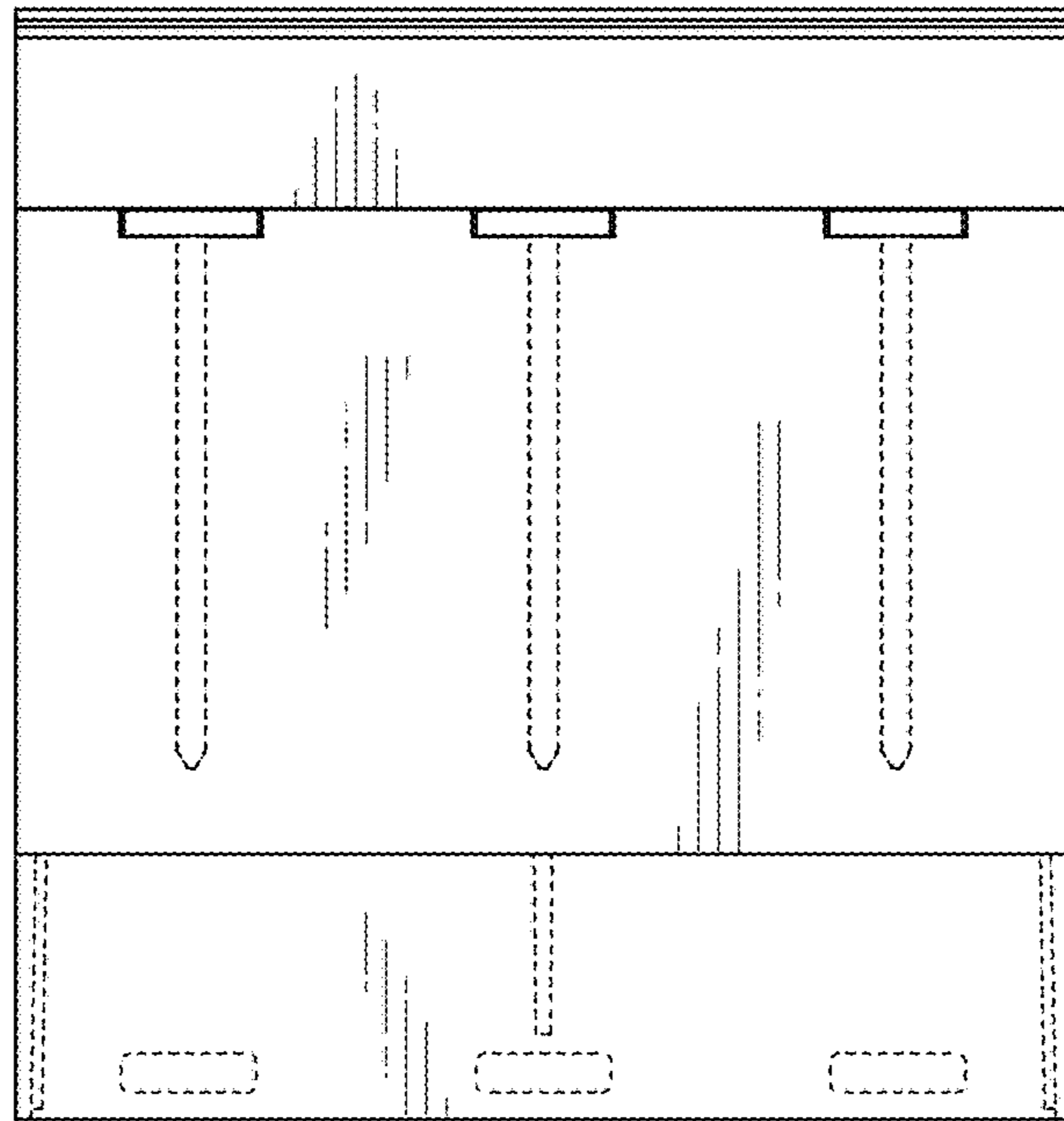


FIG. 10

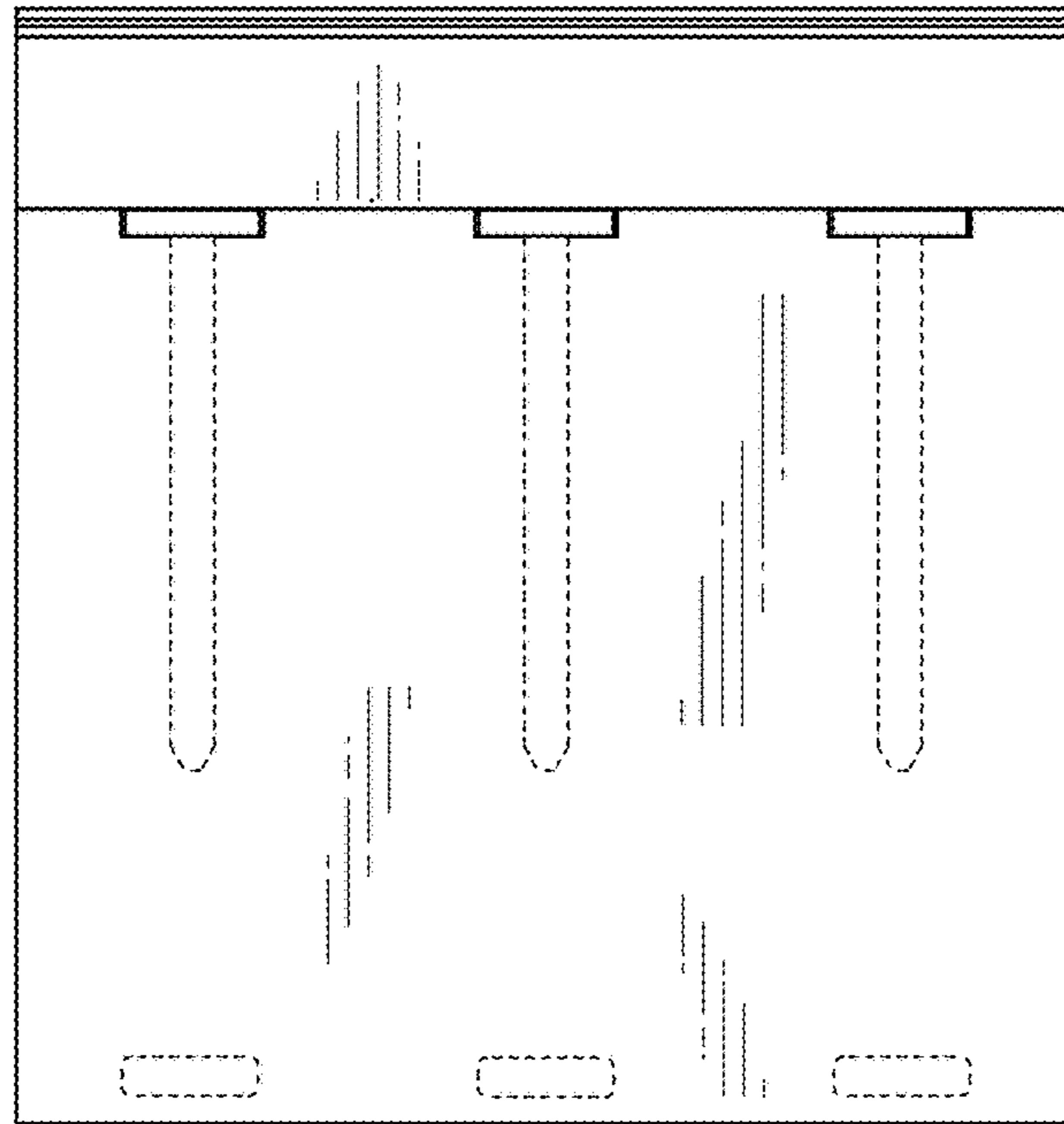


FIG. 11

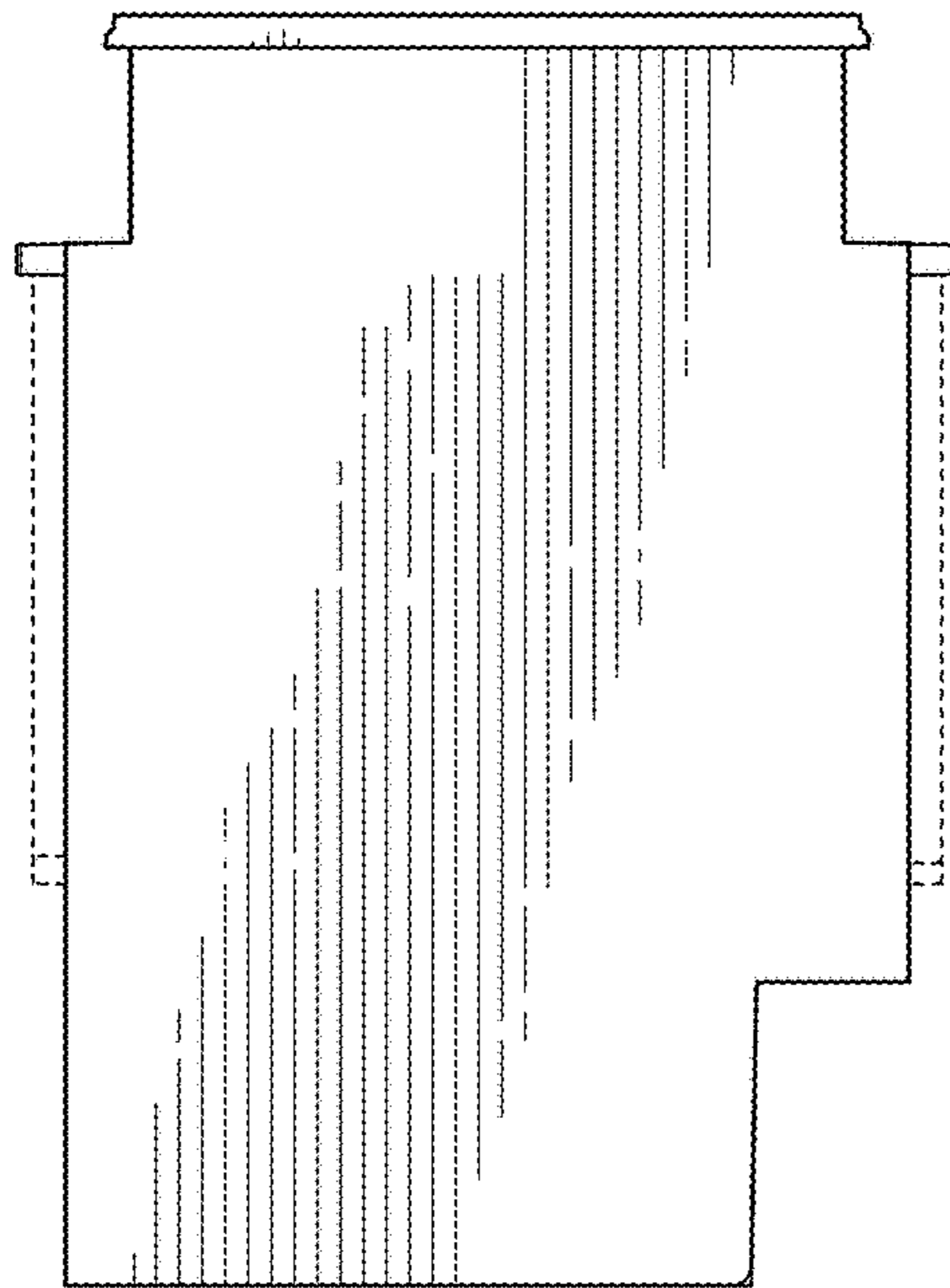


FIG. 12

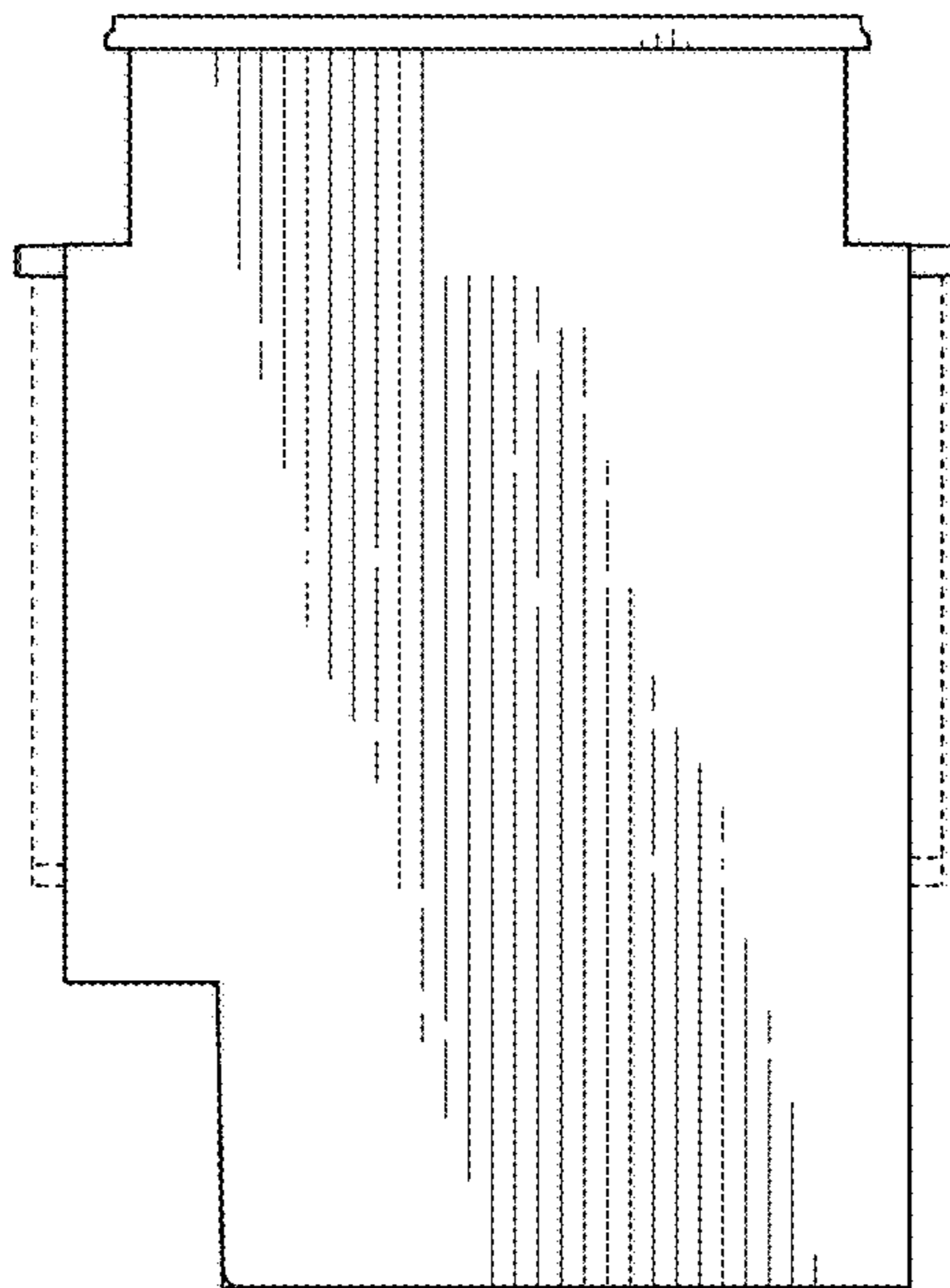


FIG. 13

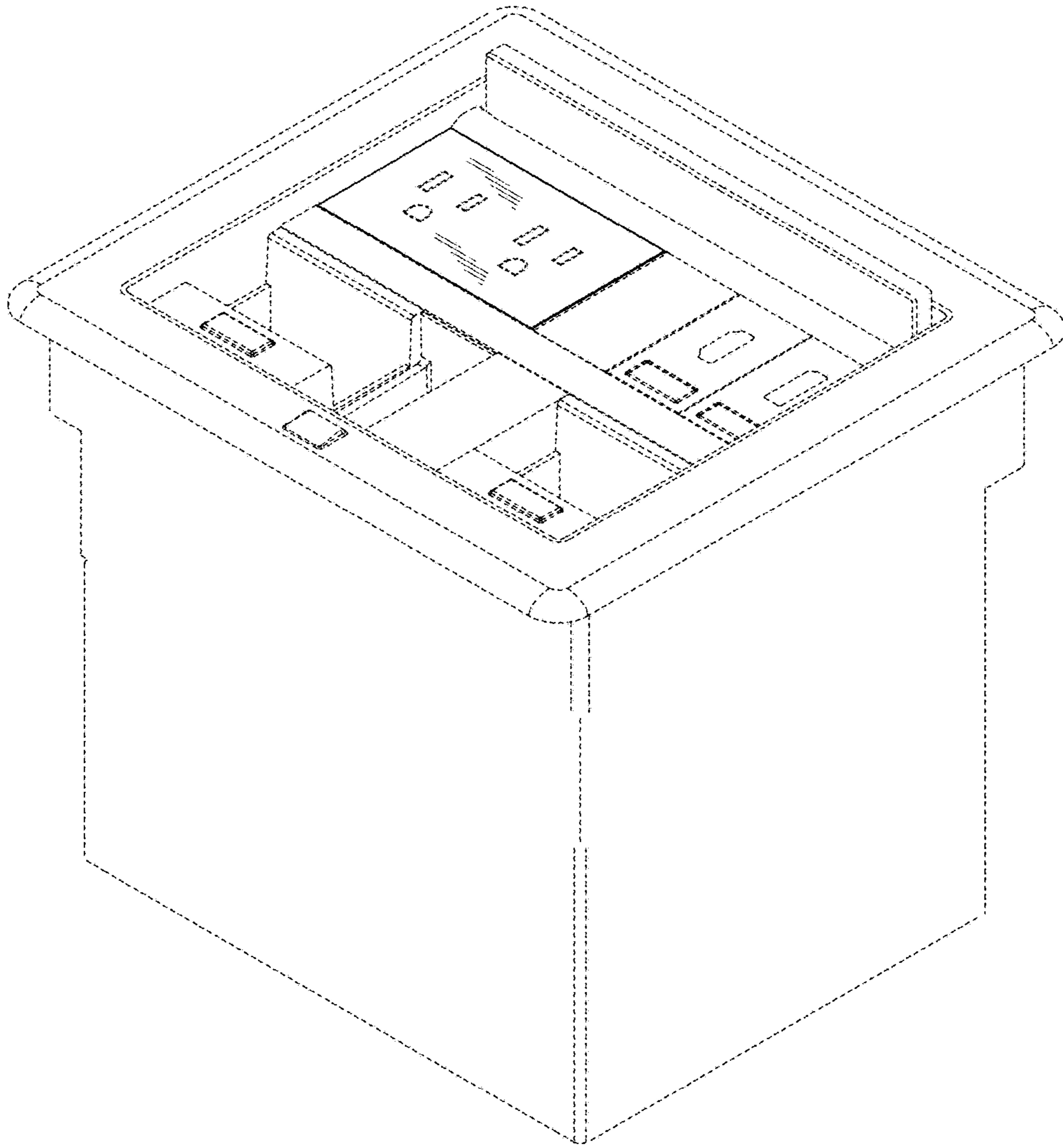


FIG. 14

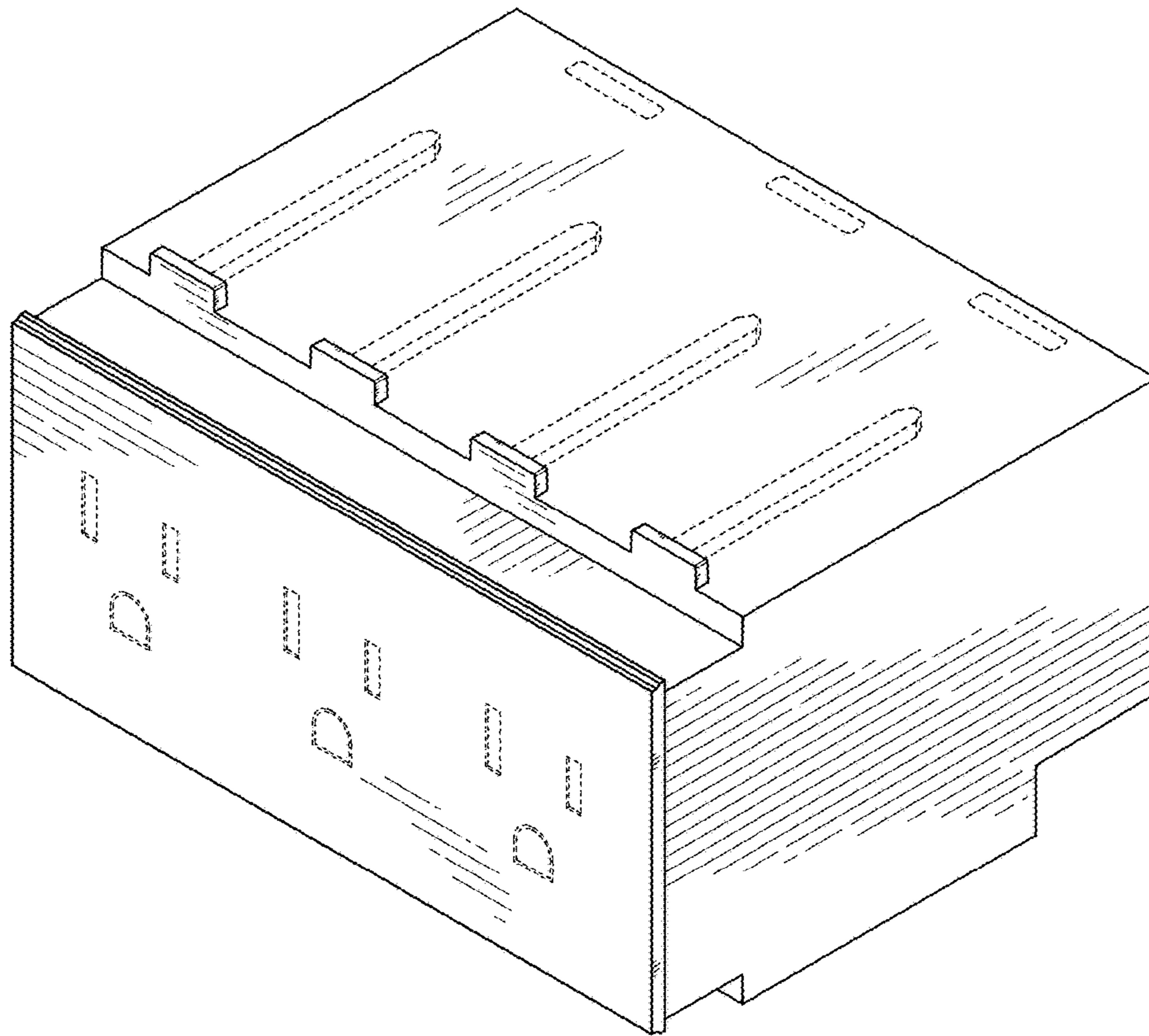


FIG. 15

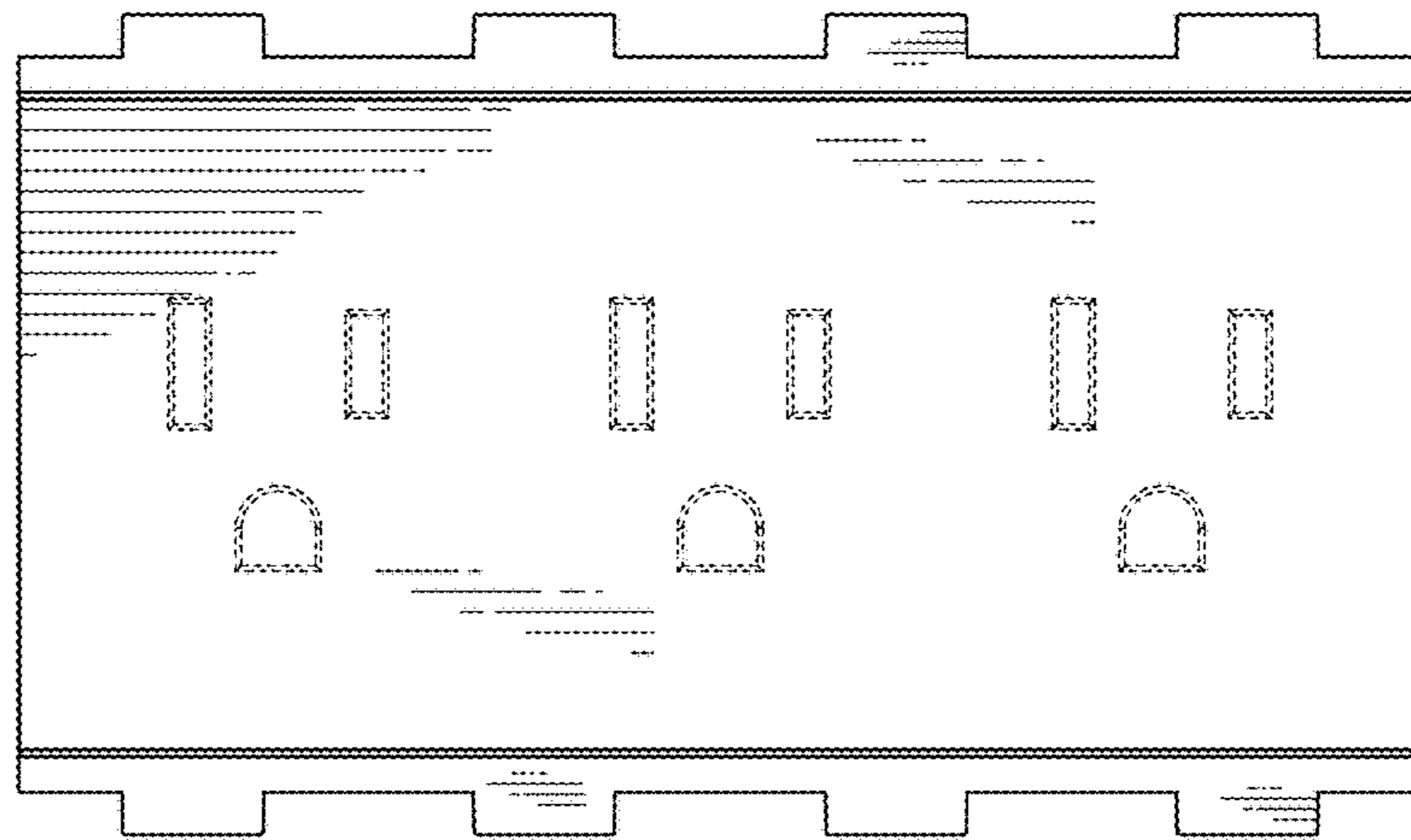


FIG. 16

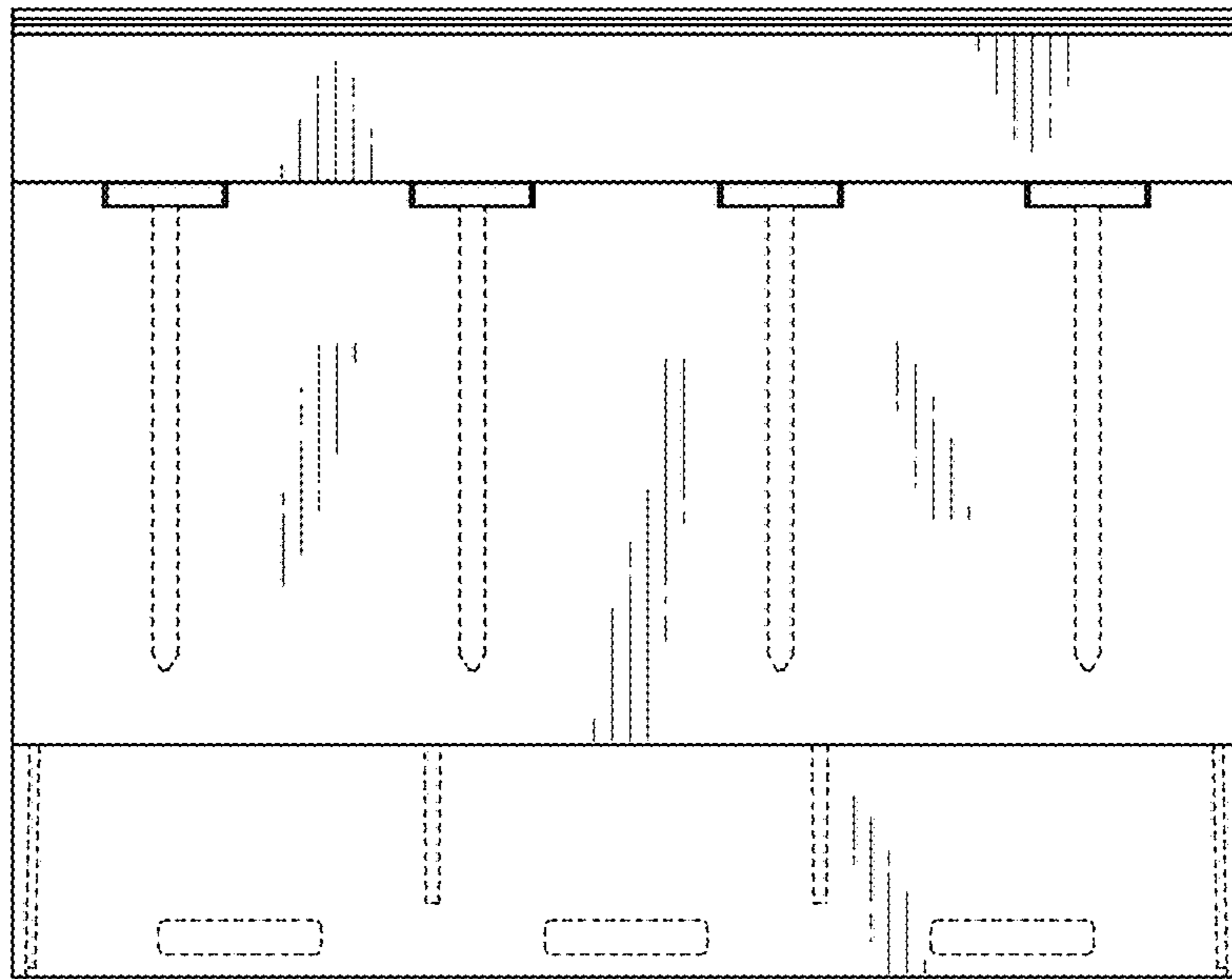


FIG. 17

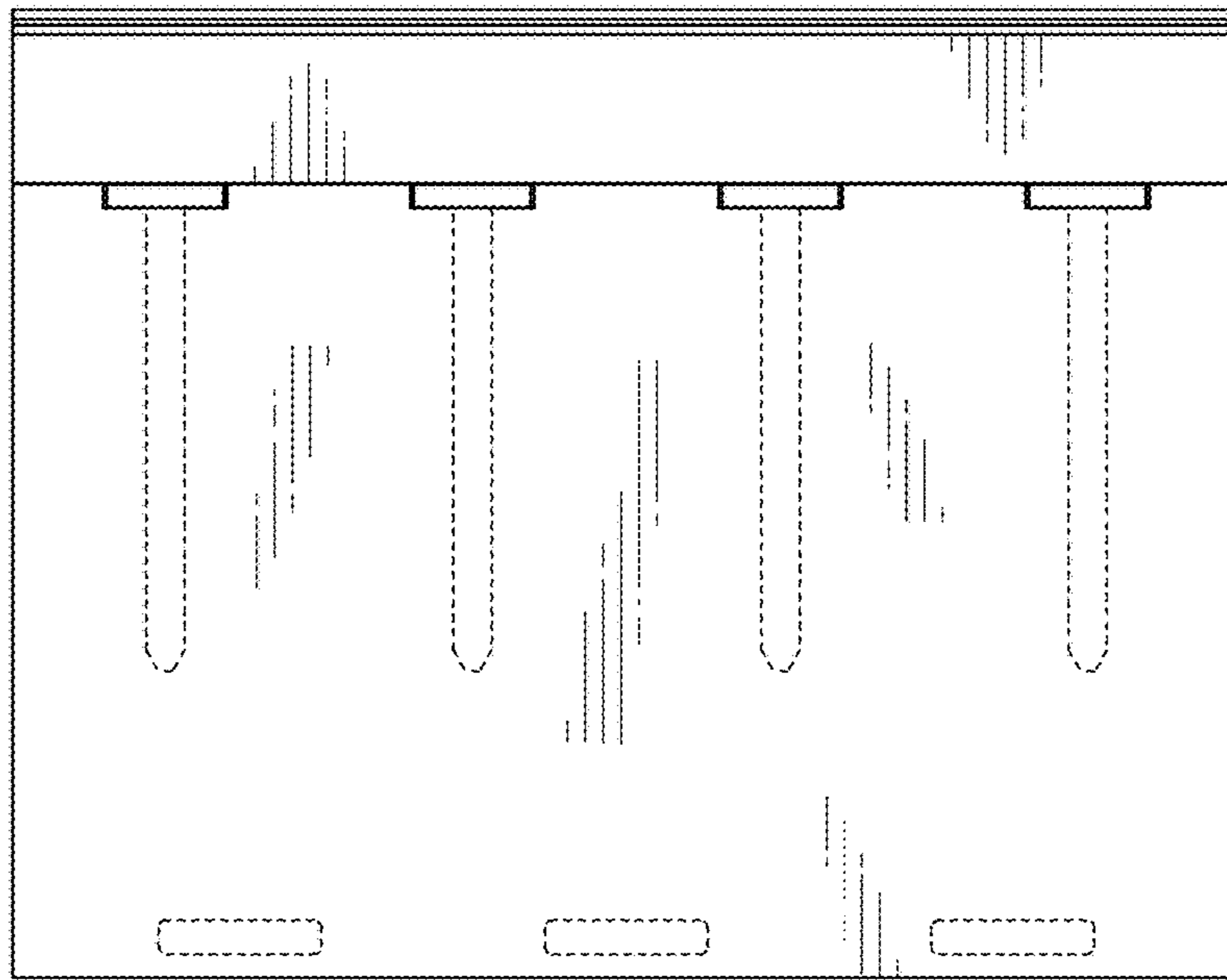


FIG. 18

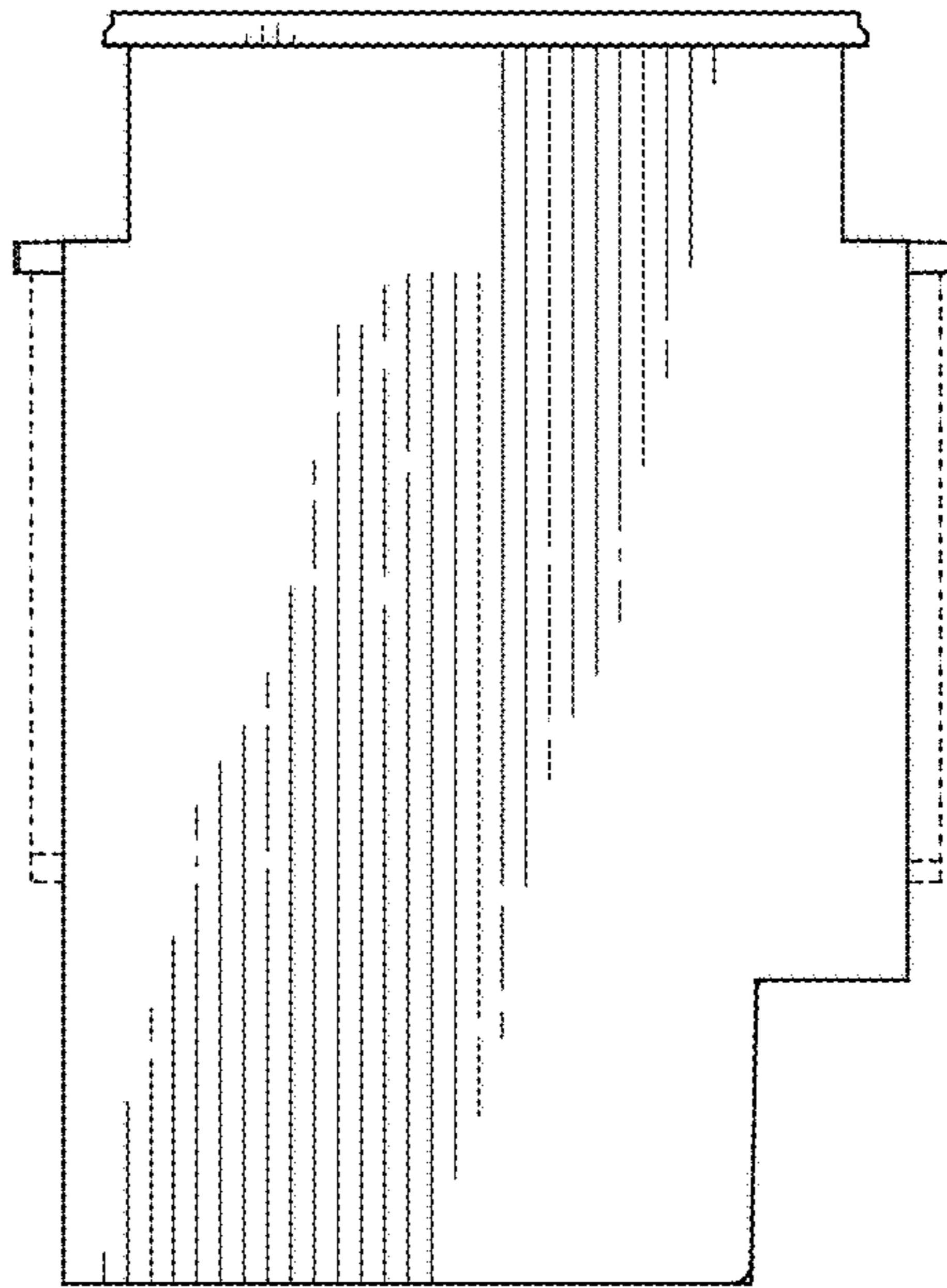


FIG. 19

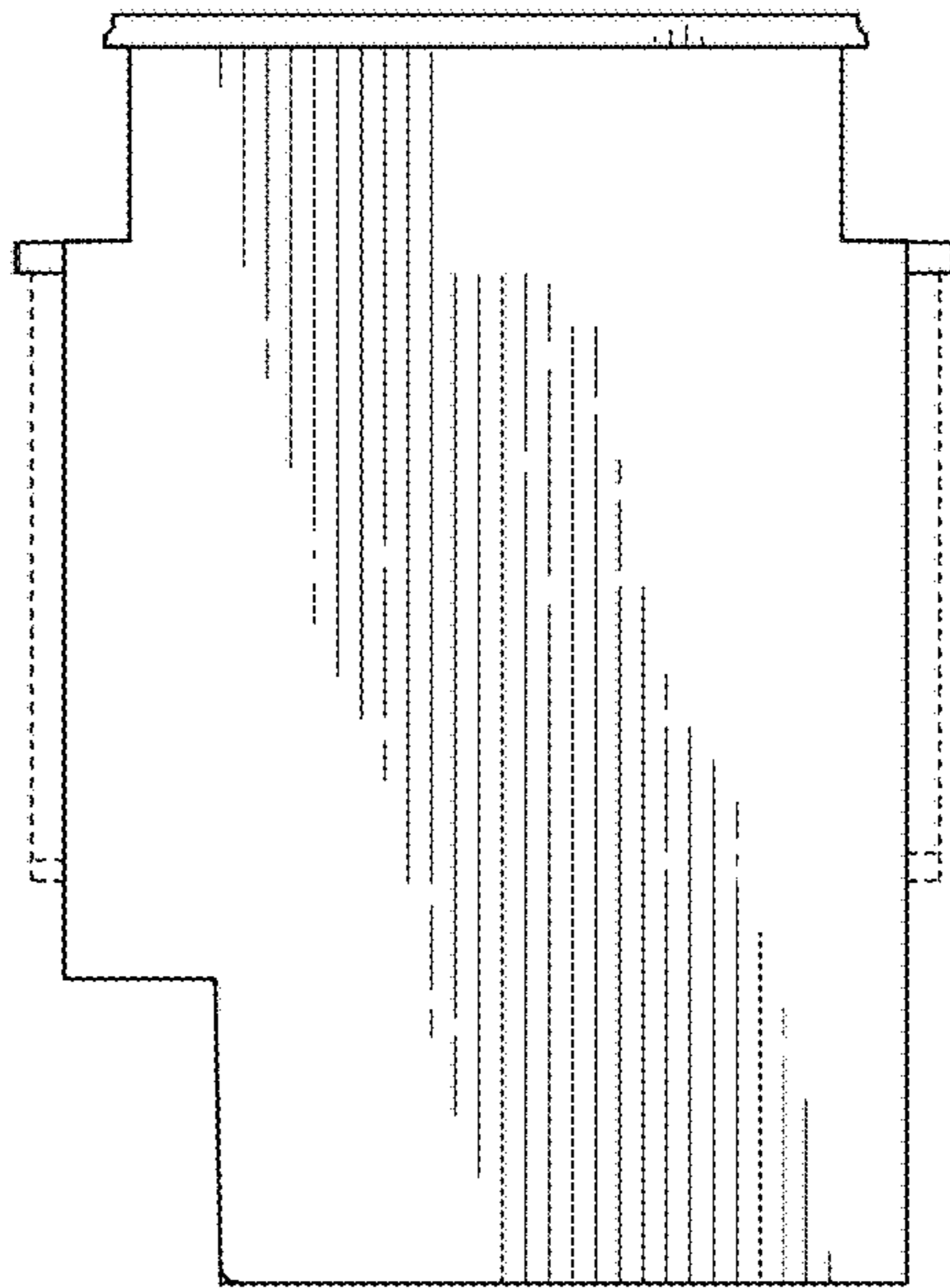


FIG. 20

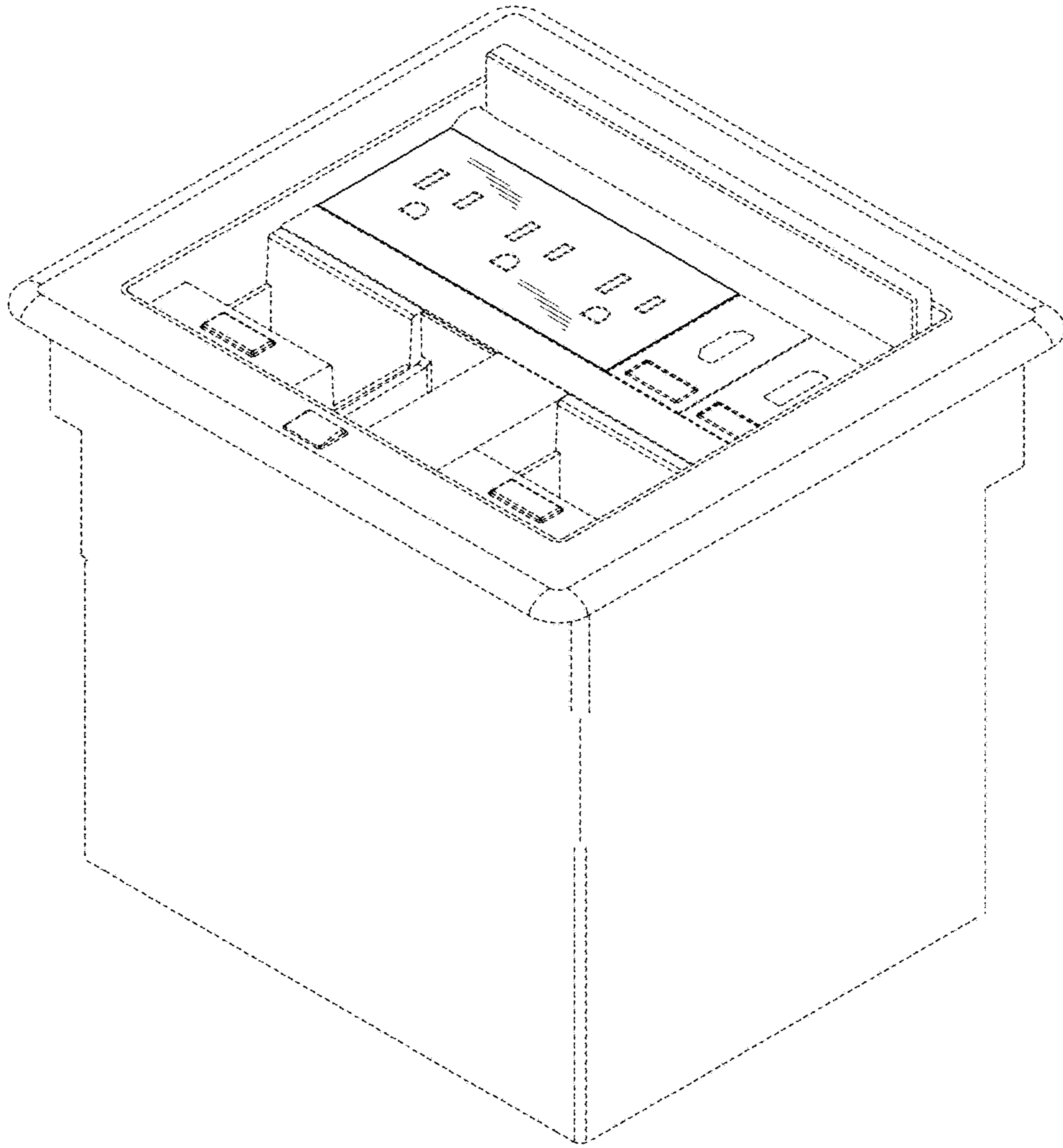


FIG. 21