



US00D858527S

(12) **United States Design Patent**  
**Jhun et al.**

(10) **Patent No.:** **US D858,527 S**

(45) **Date of Patent:** **\*\* Sep. 3, 2019**

(54) **RECEPTACLE MODULE FOR A TABLETOP MEDIA CENTER**

(71) Applicant: **Crestron Electronics, Inc.**, Rockleigh, NJ (US)

(72) Inventors: **Sae Jhun**, Bayside, NY (US); **Wendy Feldstein**, Old Tappan, NJ (US)

(73) Assignee: **Crestron Electronics, Inc.**, Rockleigh, NJ (US)

(\*\*) Term: **15 Years**

(21) Appl. No.: **29/661,376**

(22) Filed: **Aug. 27, 2018**

**Related U.S. Application Data**

(63) Continuation-in-part of application No. 29/628,658, filed on Dec. 6, 2017.

(51) **LOC (12) Cl.** ..... **14-02**

(52) **U.S. Cl.**  
USPC ..... **D14/432**

(58) **Field of Classification Search**  
USPC ..... D14/300-302, 308-313, 314, 348, D14/353-355, 432, 439-446, 240; 361/679.02, 679.31, 679.5, 690, 694, 361/679.23, 801, 802; 312/332.1, 334.1; D13/162; D10/50  
CPC .. A45C 11/00; A45C 2011/003; F16M 13/00; F16M 11/00; B60R 11/0241; B60R 11/0252

See application file for complete search history.

(56) **References Cited**

**U.S. PATENT DOCUMENTS**

7,388,164 B2 \* 6/2008 Scanzillo ..... H02G 3/185  
174/482  
9,407,033 B2 \* 8/2016 Kong ..... H01R 13/5227

D830,364 S \* 10/2018 Jhun ..... D14/432  
D831,655 S \* 10/2018 Jhun ..... D14/432  
D831,656 S \* 10/2018 Jhun ..... D14/432  
D832,257 S \* 10/2018 Jhun ..... D14/432  
D832,258 S \* 10/2018 Jhun ..... D14/432  
D832,259 S \* 10/2018 Jhun ..... D14/432

\* cited by examiner

*Primary Examiner* — Austin Murphy

(74) *Attorney, Agent, or Firm* — Crestron Electronics, Inc.

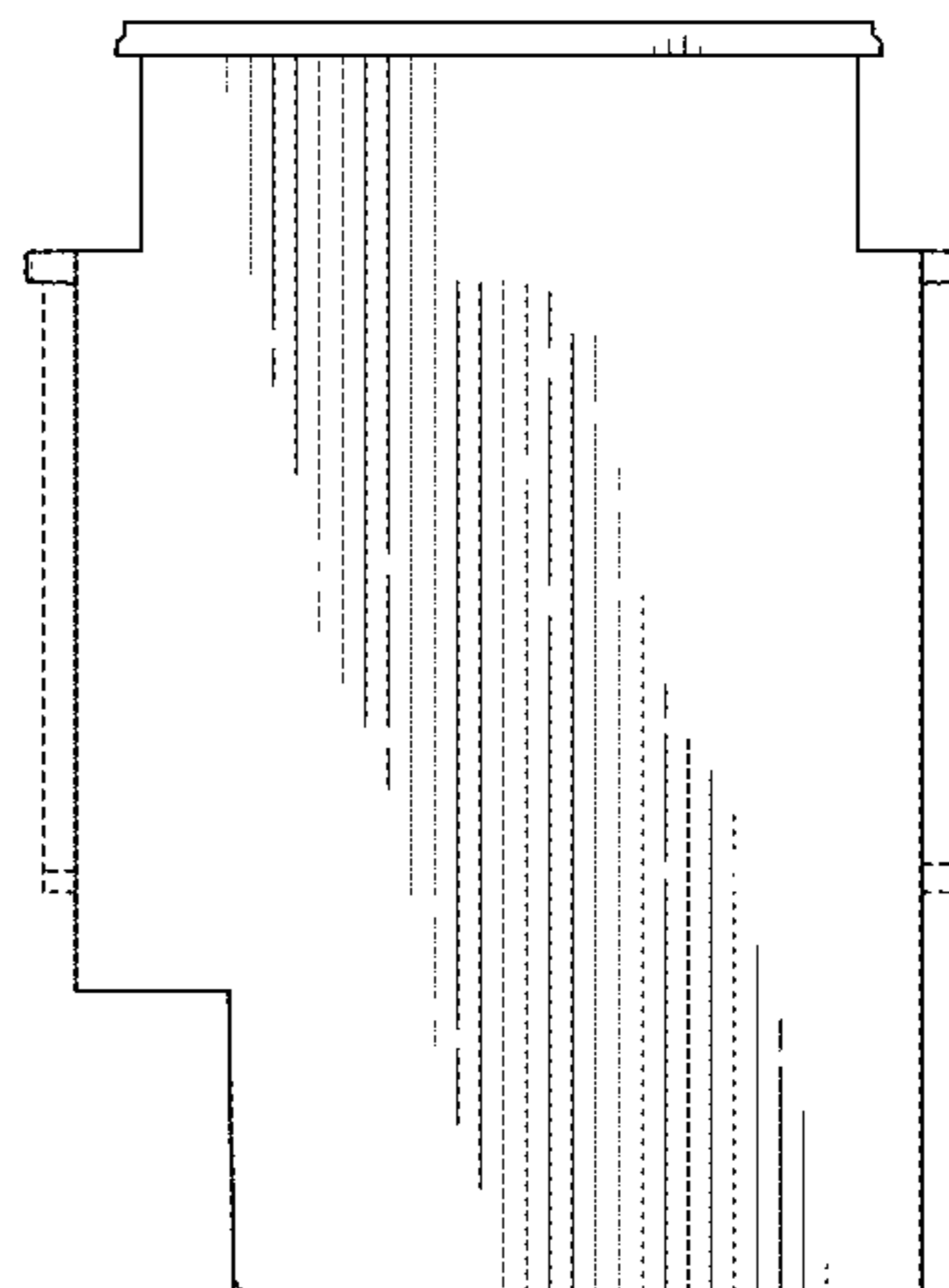
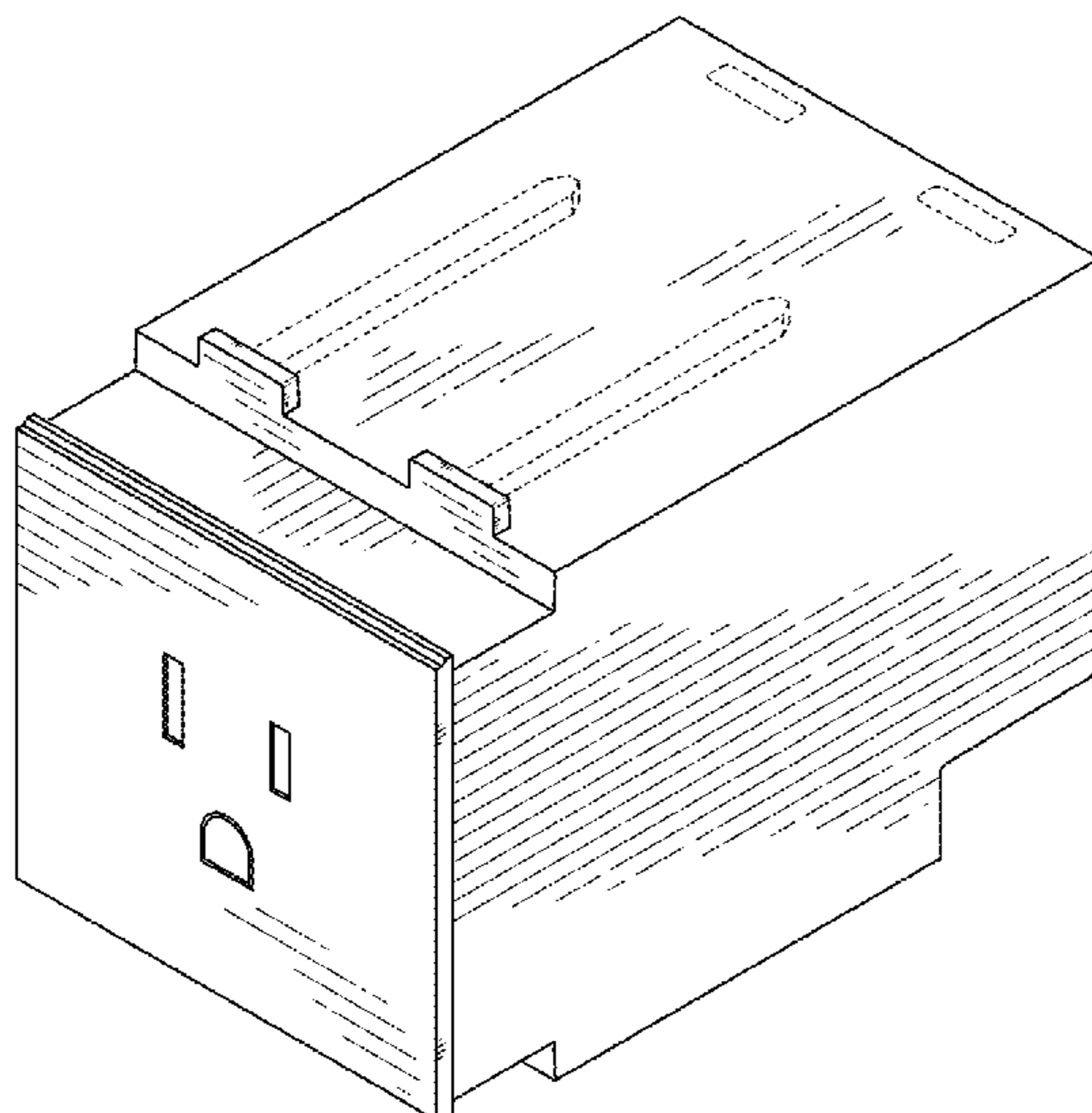
(57) **CLAIM**

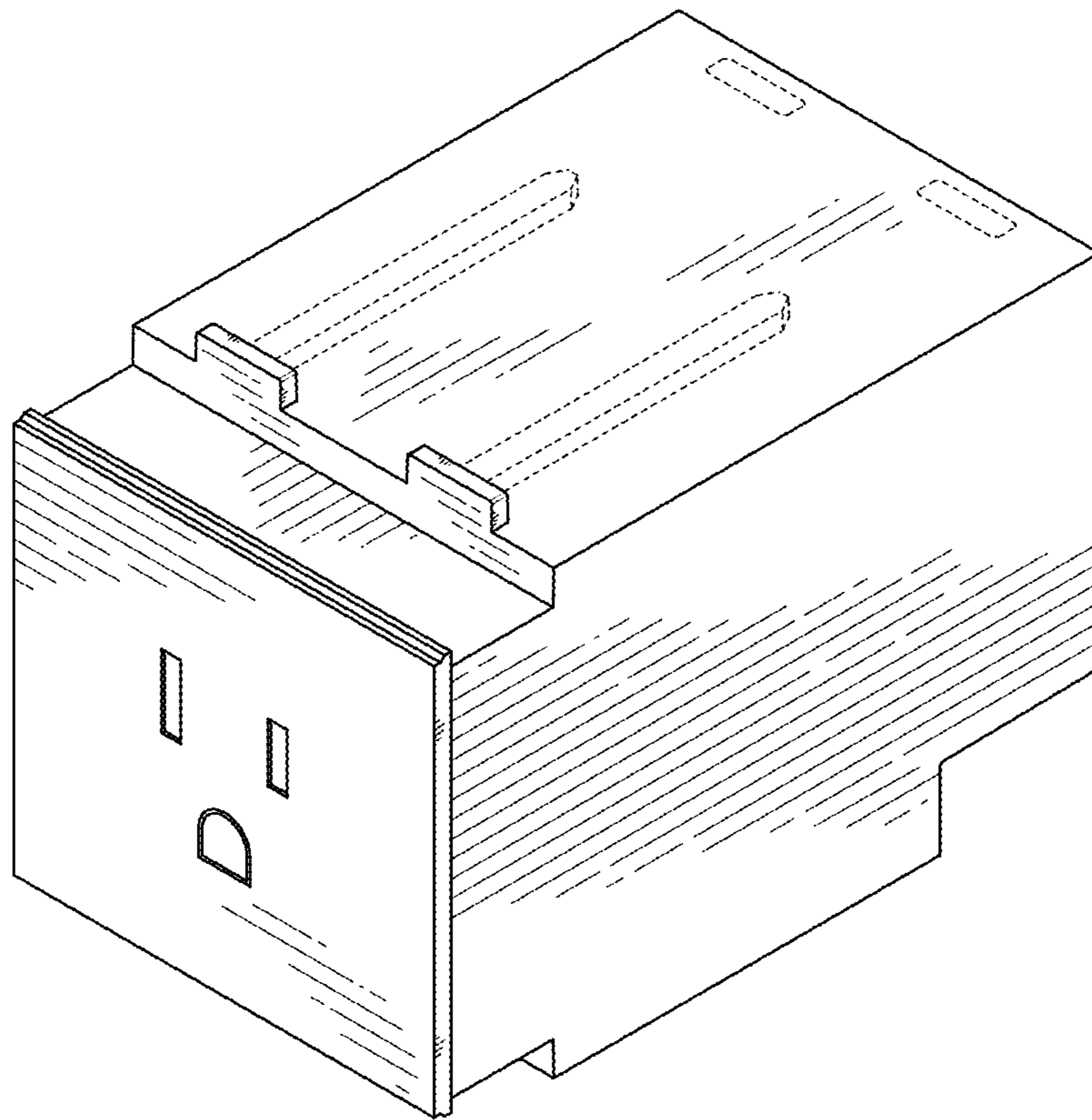
The ornamental design for a receptacle module for a tabletop media center, as shown and described.

**DESCRIPTION**

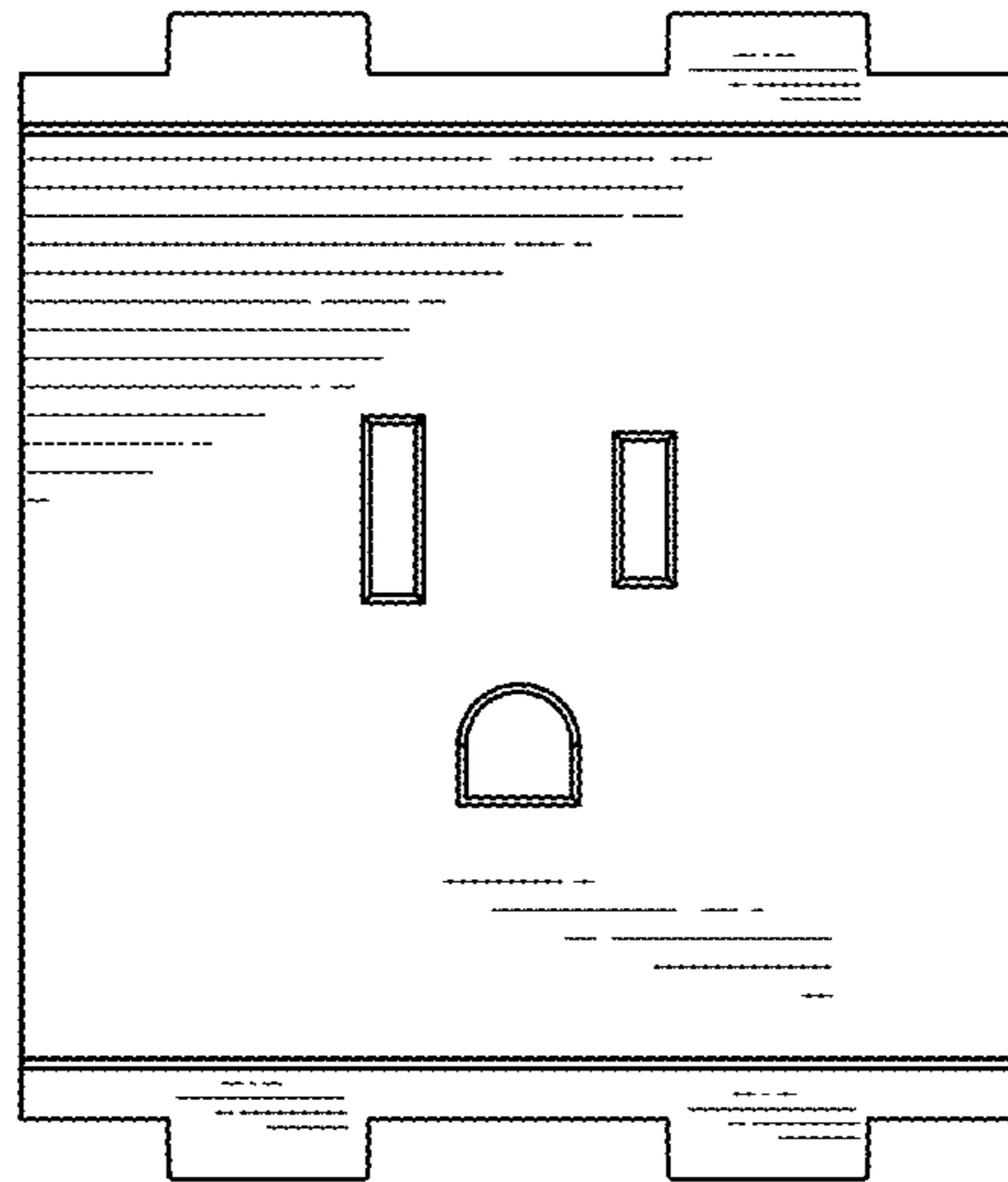
FIG. 1 shows a top perspective view of a receptacle module for a tabletop media center.  
FIG. 2 shows a top view of the receptacle module for a tabletop media center.  
FIG. 3 shows a front view of the receptacle module for a tabletop media center.  
FIG. 4 shows a rear view of the receptacle module for a tabletop media center.  
FIG. 5 shows a left side view of the receptacle module for a tabletop media center.  
FIG. 6 shows a right side view of the receptacle module for a tabletop media center; and,  
FIG. 7 shows a top perspective view of the receptacle module for a tabletop media center, wherein the tabletop media center shown in broken lines illustrates the environment in which the design is used and forms no part of the claimed design.  
The broken lines in the figures depict portions of the receptacle module for a tabletop media center that form no part of the claimed design.

**1 Claim, 7 Drawing Sheets**

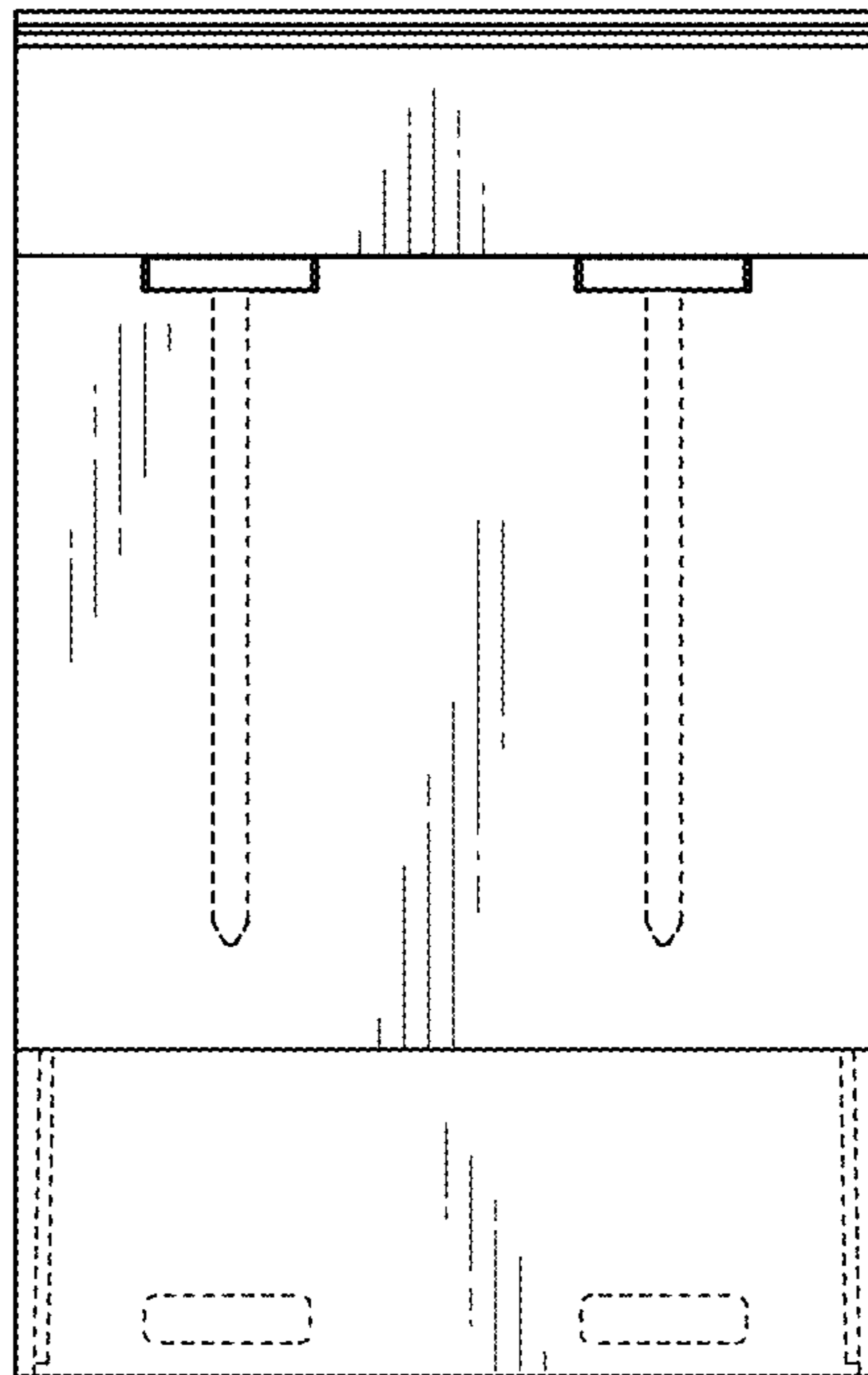




*FIG. 1*



*FIG. 2*



*FIG. 3*

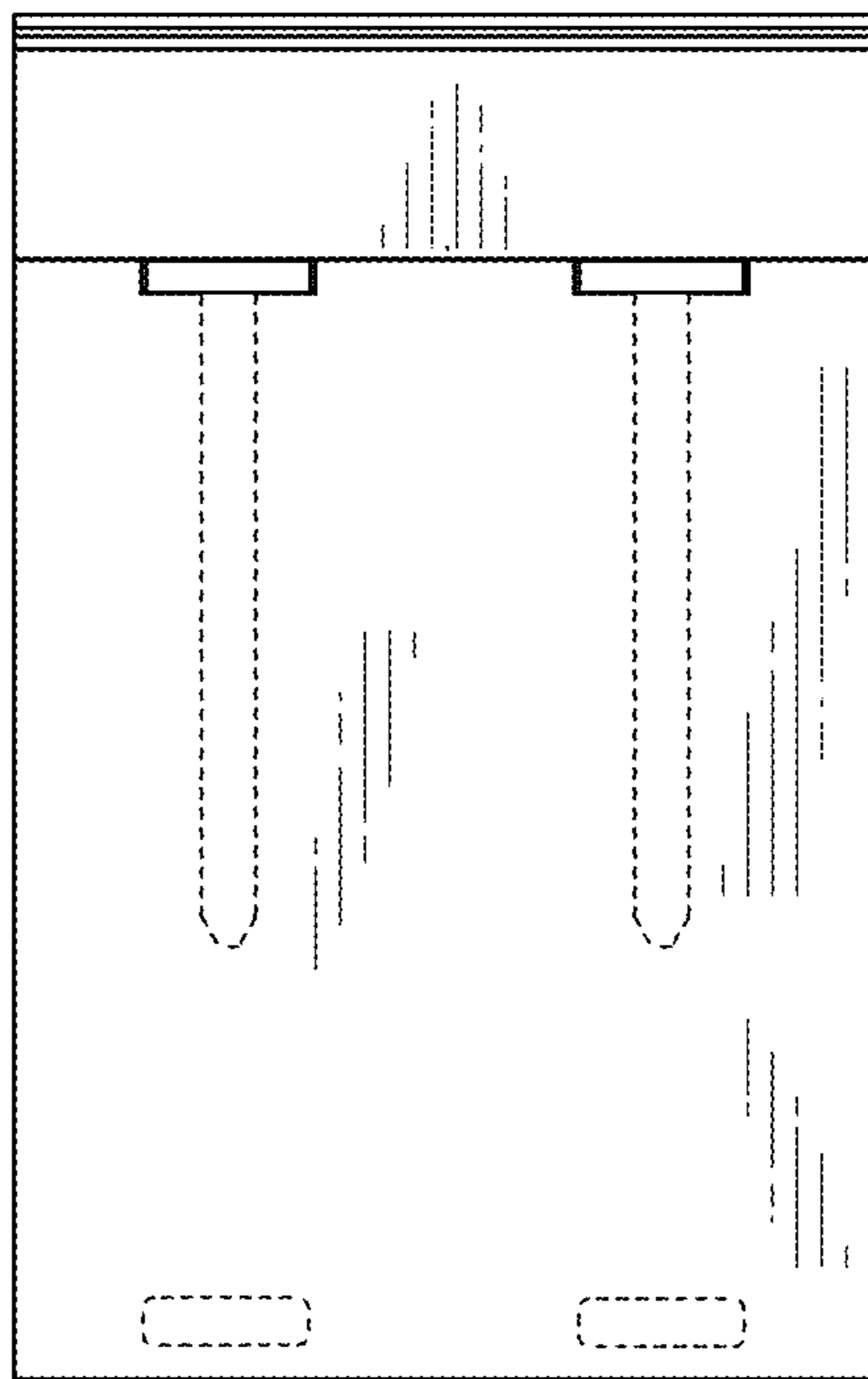
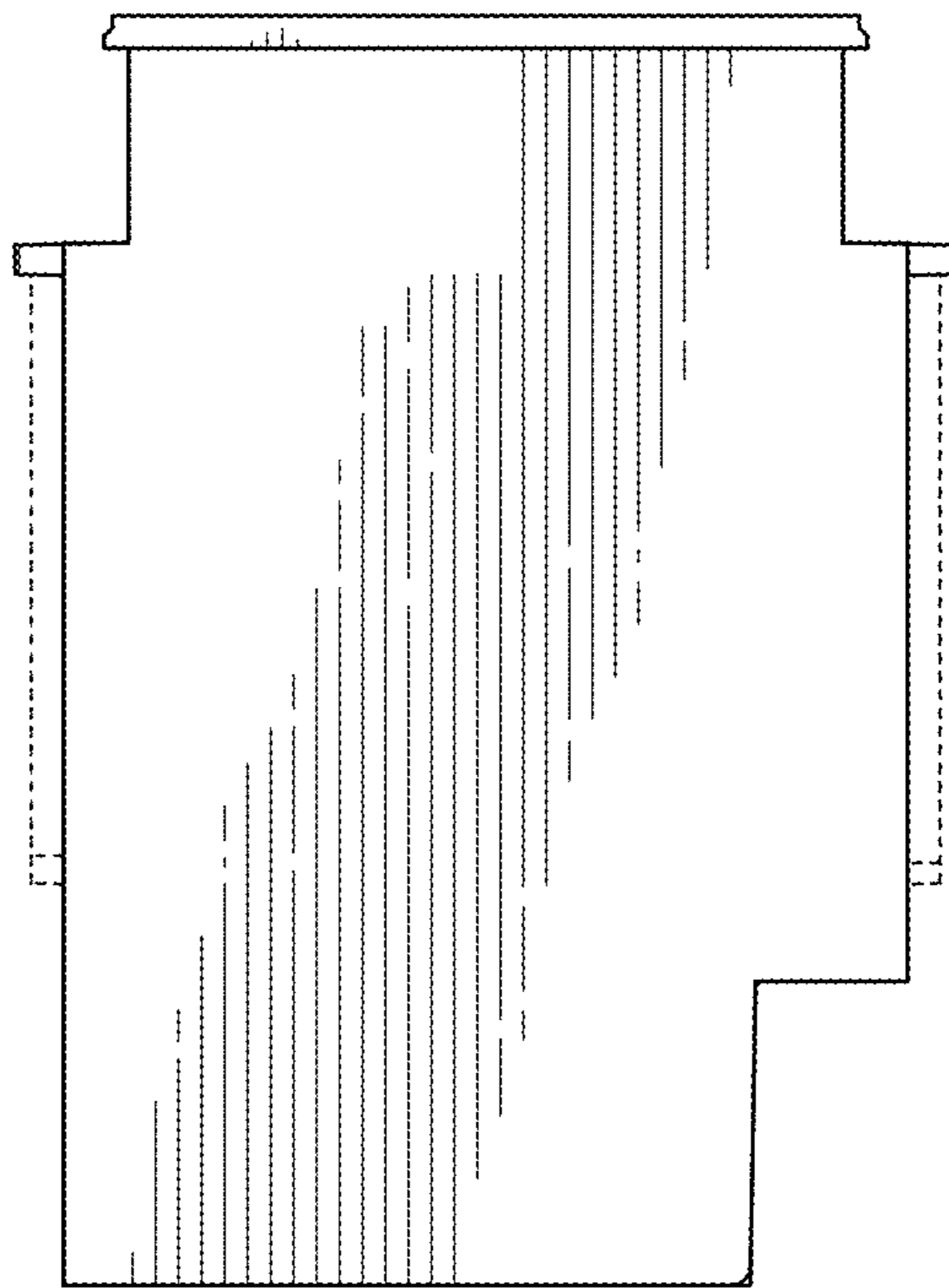
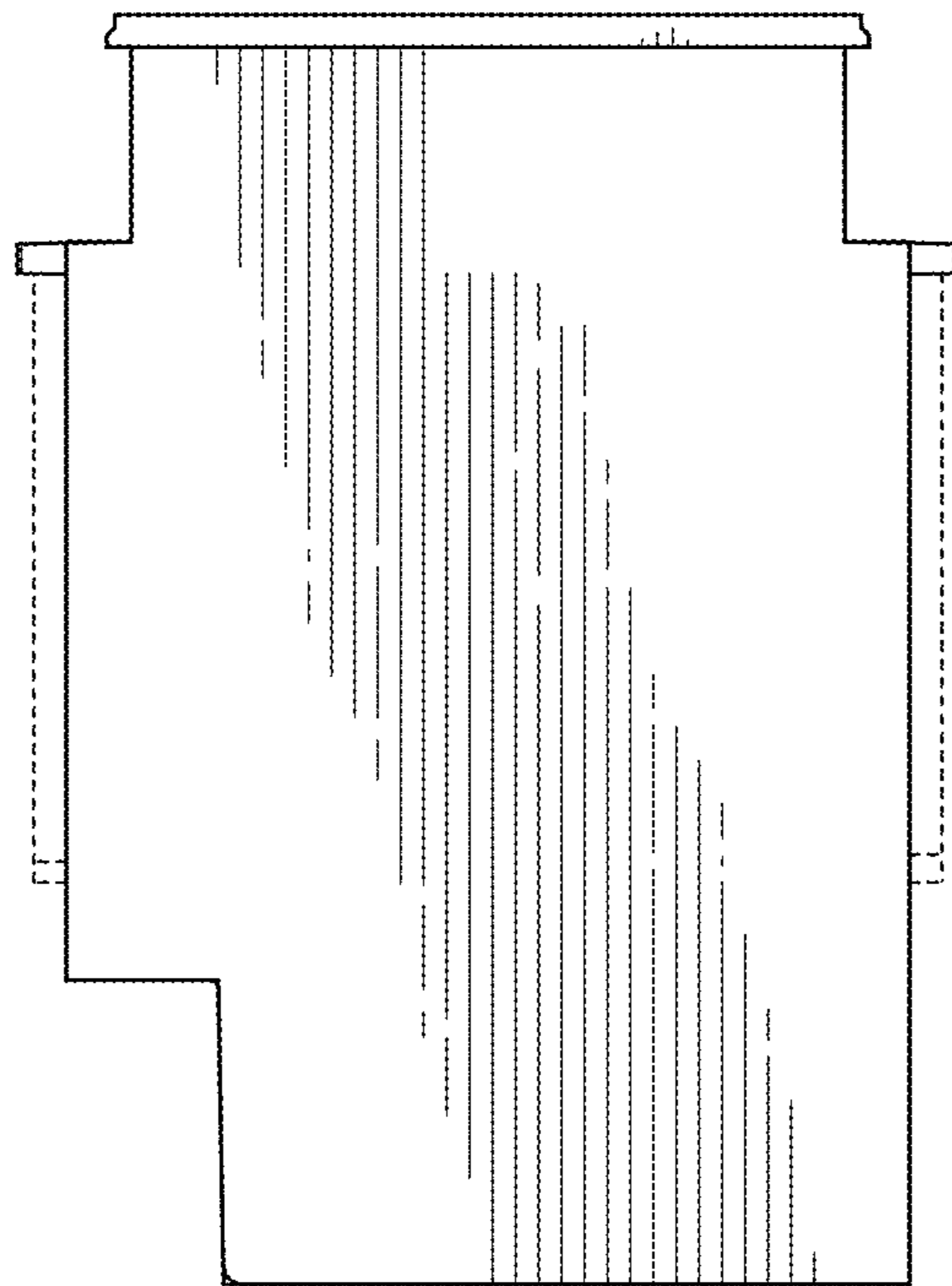


FIG. 4



*FIG. 5*



*FIG. 6*



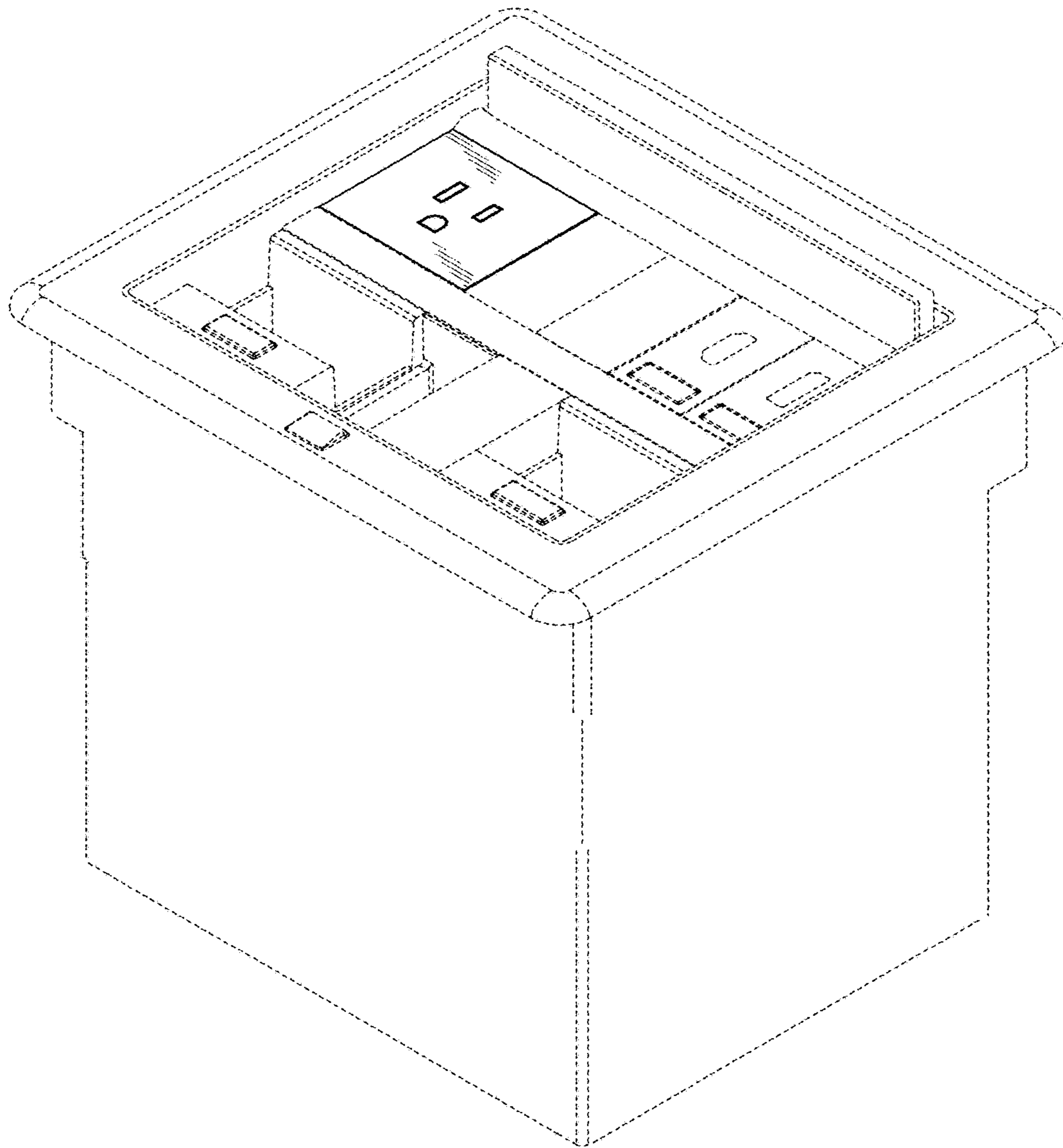


FIG. 7